



US00D341975S

United States Patent [19]
Winter

[11] **Patent Number: Des. 341,975**
[45] **Date of Patent: ** Dec. 7, 1993**

[54] **HANGING BASKET FOR IRONING SUPPLIES**

[76] **Inventor: Leon K. Winter, 818 E. Fairway, Orange, Calif. 92666**

[**] **Term: 14 Years**

[21] **Appl. No.: 822,842**

[22] **Filed: Jan. 21, 1992**

[52] **U.S. Cl. D6/566**

[58] **Field of Search D6/512-514, D6/553, 552, 567, 566, 574; 211/13, 26, 70.6, 86-88, 90, 106, 119, 113, 126, 134, 181**

[56] **References Cited**

U.S. PATENT DOCUMENTS

D. 93,944 11/1934 Schimmelfeng D6/566
D. 295,128 4/1988 Gentile D6/566

D. 321,804 11/1991 Wolff et al. D6/566
D. 322,378 12/1991 Colman D6/566
2,956,689 10/1960 Vandertoga 211/119 X
4,437,572 3/1984 Hoffman 211/181 X

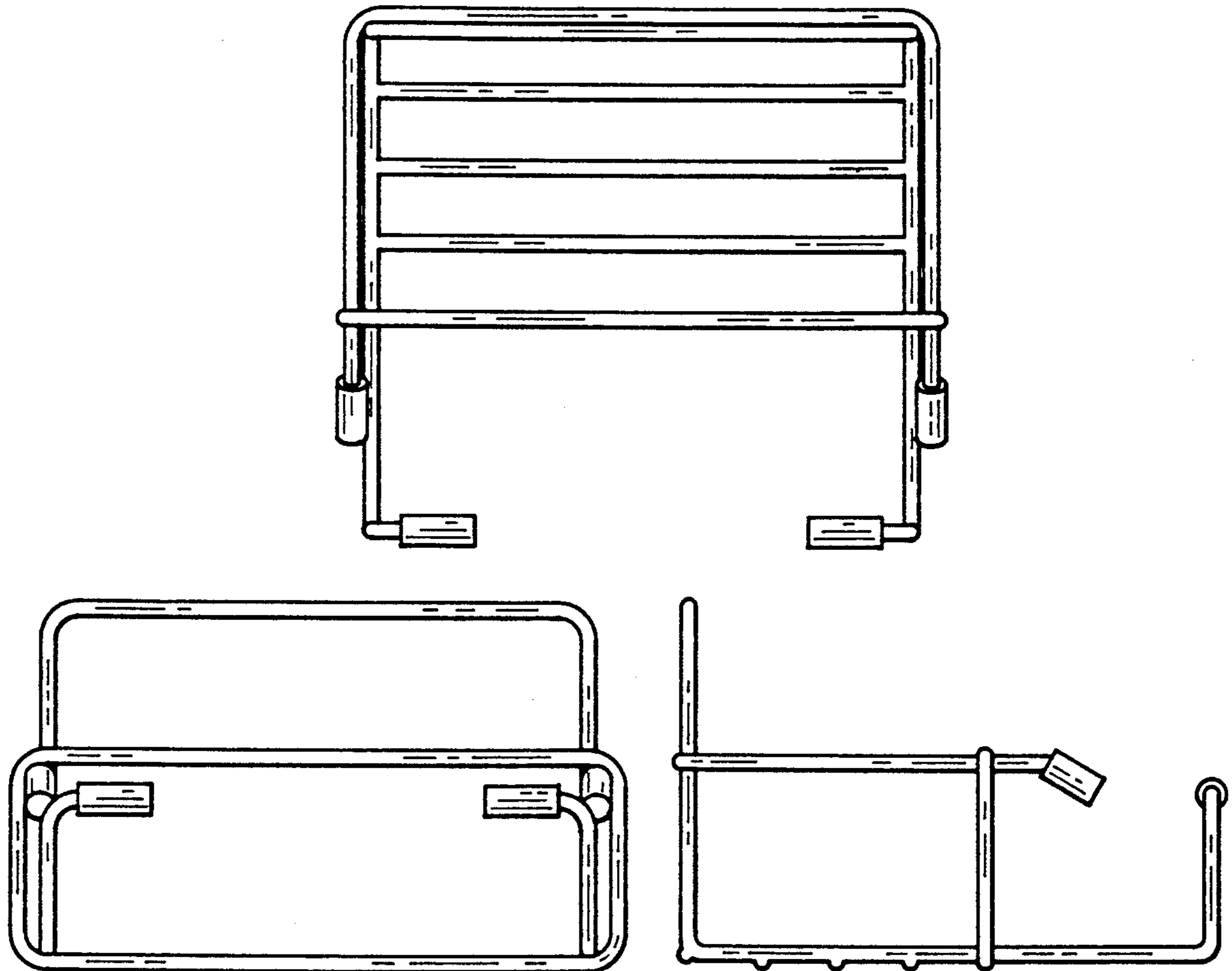
Primary Examiner—Brian N. Vinson
Attorney, Agent, or Firm—Head & Johnson

[57] **CLAIM**

The ornamental design for a hanging basket for ironing supplies, as shown and described.

DESCRIPTION

FIG. 1 is a top elevational view of a hanging basket for ironing supplies showing my new design; FIG. 2 is a front view thereof; FIG. 3 is a left side elevational view; FIG. 4 is a bottom elevational view thereof; and, FIG. 5 is a rear view thereof. The right side elevational view would be the same as the left side elevational view seen in FIG. 3.



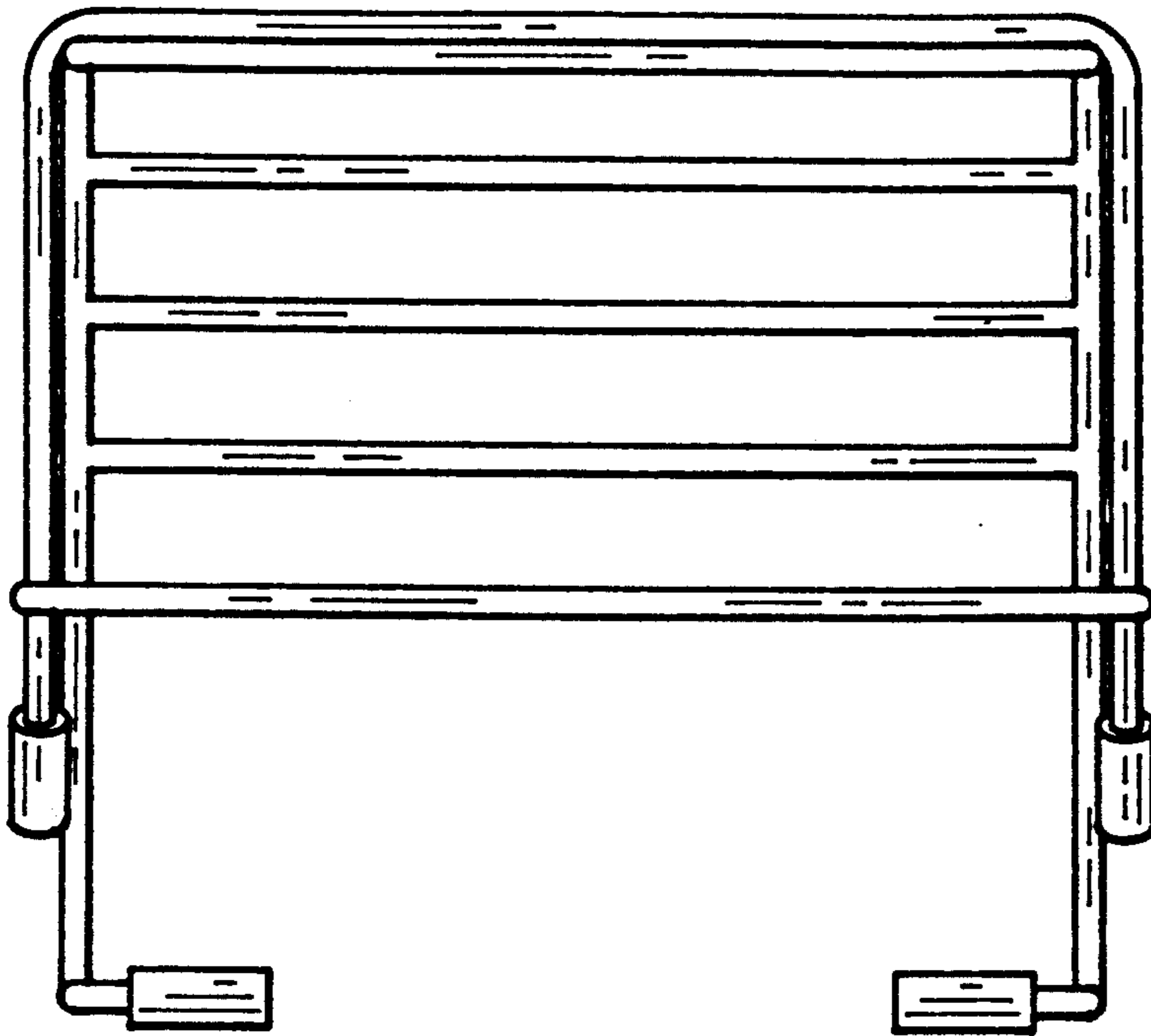


Fig. 1

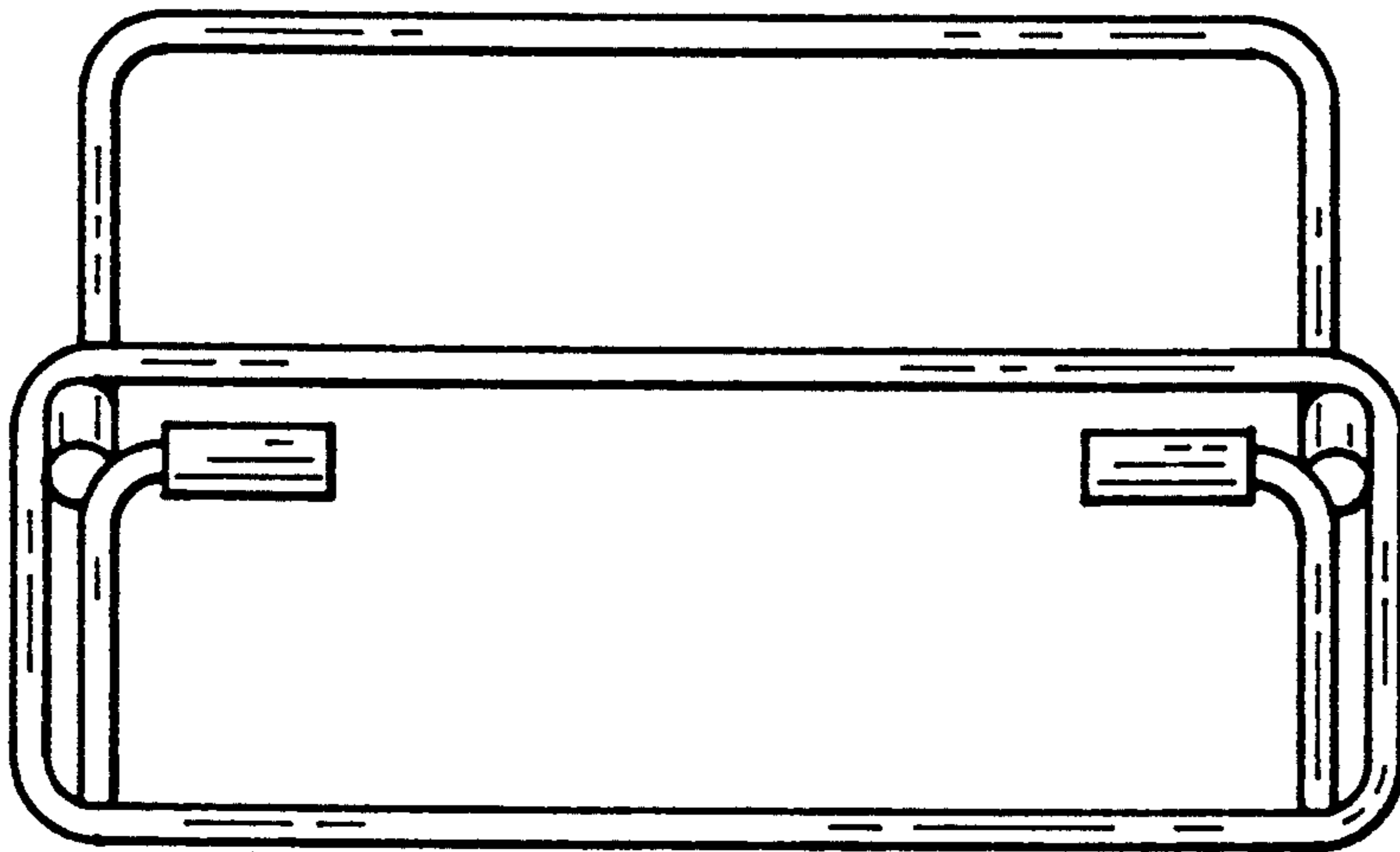


Fig. 2

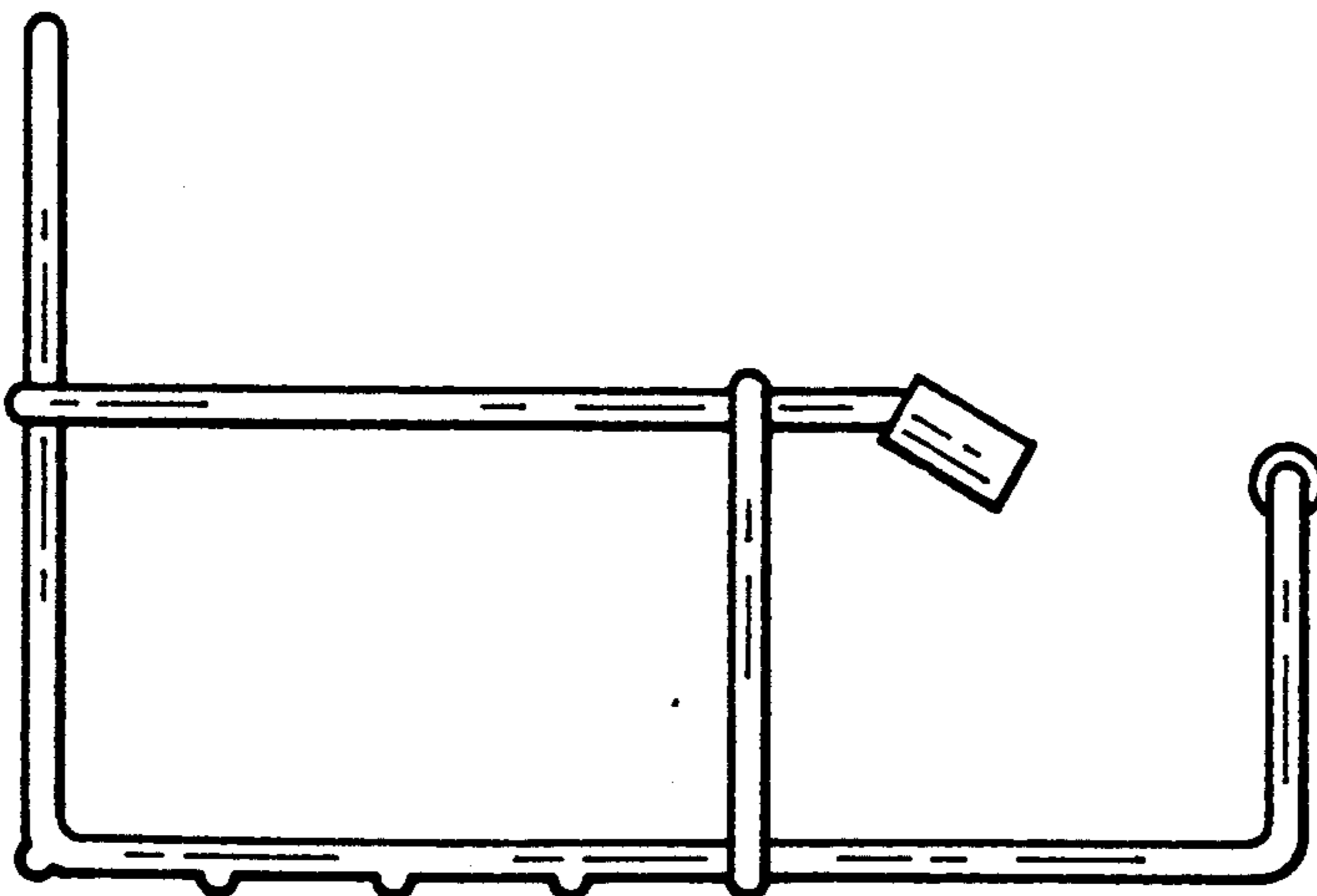


Fig. 3

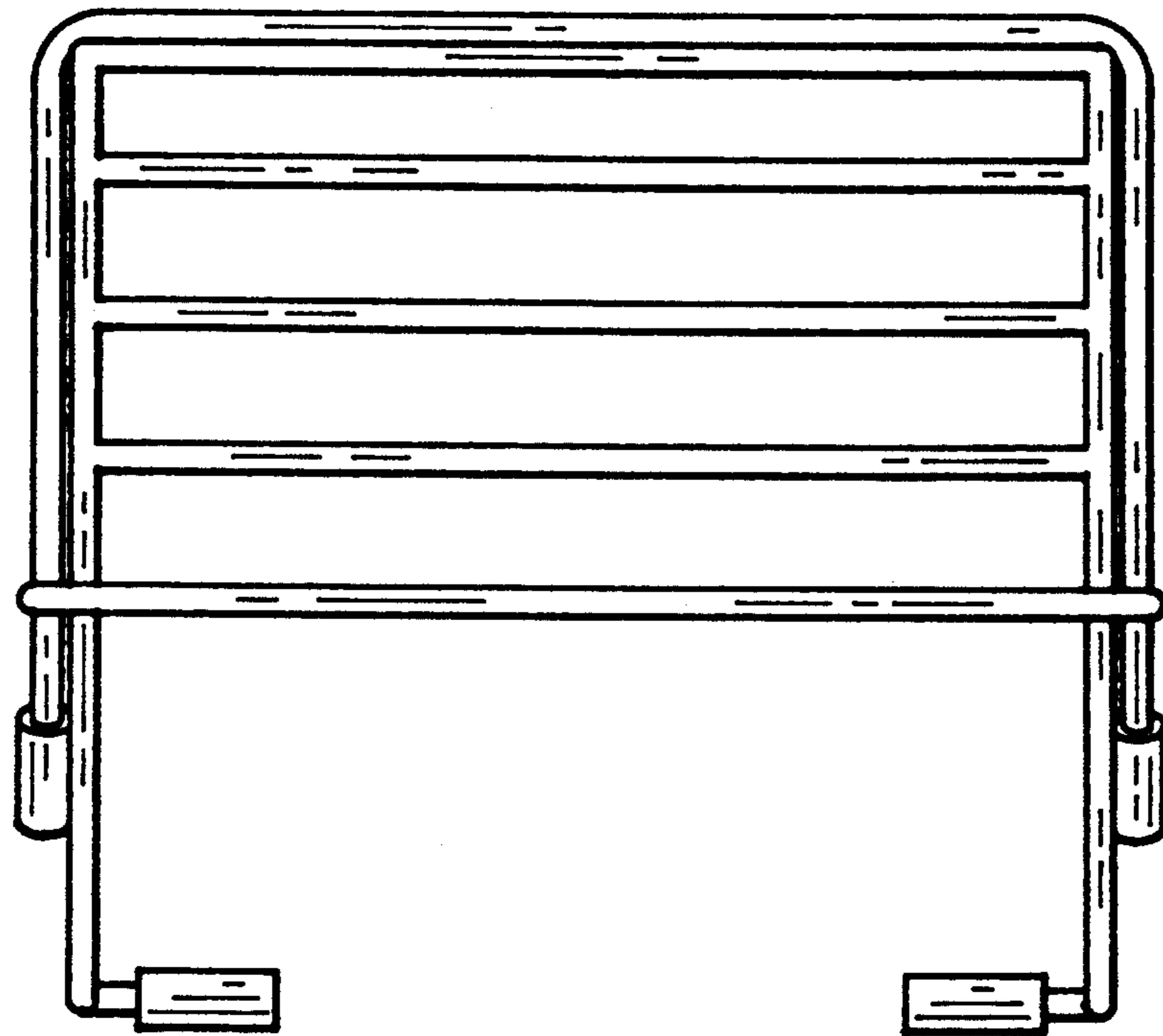


Fig. 4

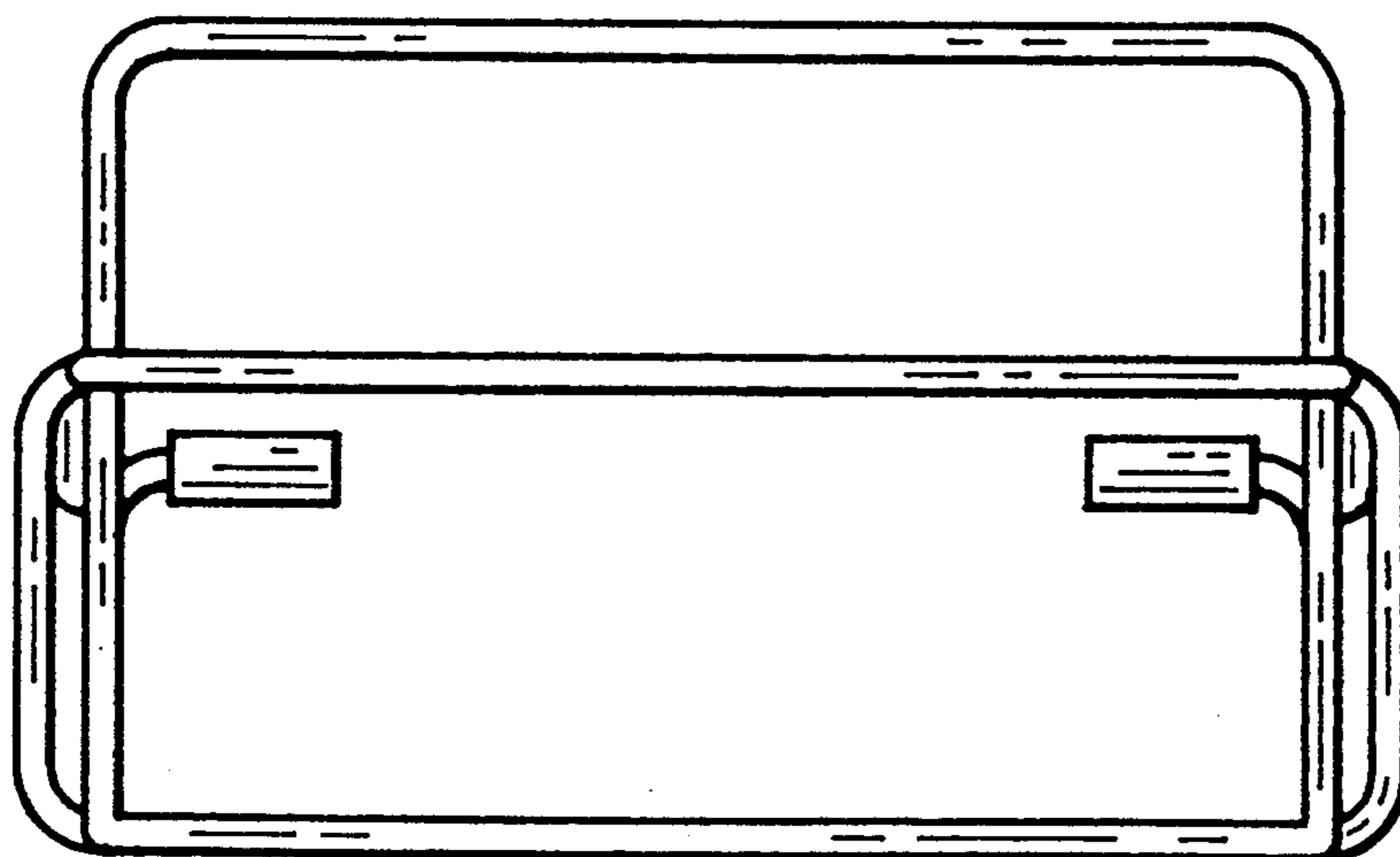


Fig. 5