



US00D341974S

# United States Patent [19]

[11] Patent Number: **Des. 341,974**

Killoy

[45] Date of Patent: **\*\* Dec. 7, 1993**

[54] **LAUNDRY SOAP DISPENSER**

2,700,995 2/1955 Ritter ..... 241/602

[76] Inventor: **Stephen M. Killoy, 2012 Franklin X-ing, Franklin, Mass. 02032**

**FOREIGN PATENT DOCUMENTS**

[\*\*] Term: **14 Years**

202617 5/1939 Fed. Rep. of Germany .  
407389 9/1933 United Kingdom .

[21] Appl. No.: **827,813**

*Primary Examiner*—Brian N. Vinson  
*Attorney, Agent, or Firm*—Terry M. Gernstein

[22] Filed: **Jan. 28, 1992**

[52] U.S. Cl. .... **D6/545**

[57] **CLAIM**

[58] Field of Search ..... **D6/542-545;**  
**222/94, 105, 129, 135, 156, 173, 180-181, 185,**  
**630-631; 221/282-286**

The ornamental design for a laundry soap dispenser, as shown and described.

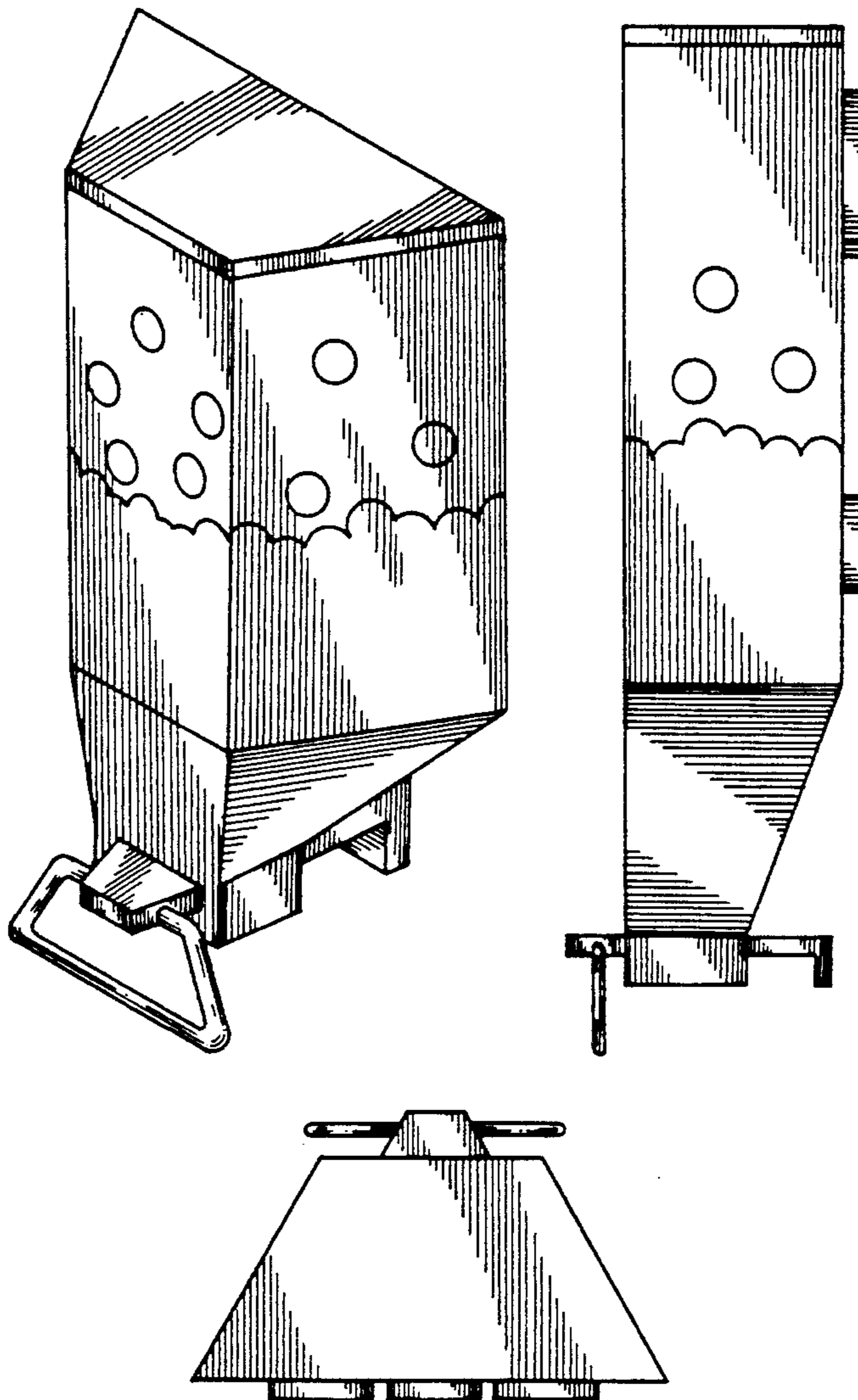
**DESCRIPTION**

[56] **References Cited**

**U.S. PATENT DOCUMENTS**

D. 246,212	11/1977	Kech et al. ....	D6/544
D. 276,294	11/1984	Banks .....	D6/545
D. 297,086	8/1988	Paphis .....	D6/544
D. 322,377	12/1991	Fender .....	D6/545
824,768	7/1906	Welch .....	241/602
1,518,676	12/1924	Serre .....	241/602

FIG. 1 is a perspective view of the laundry soap dispenser embodying the design of the present invention; FIG. 2 is a front elevational view thereof; FIG. 3 is a rear elevational view thereof; FIG. 4 is a side elevational view thereof, the side opposite being a mirror image of the side shown in FIG. 4; FIG. 5 is a top plan view thereof; and, FIG. 6 is a bottom view thereof.



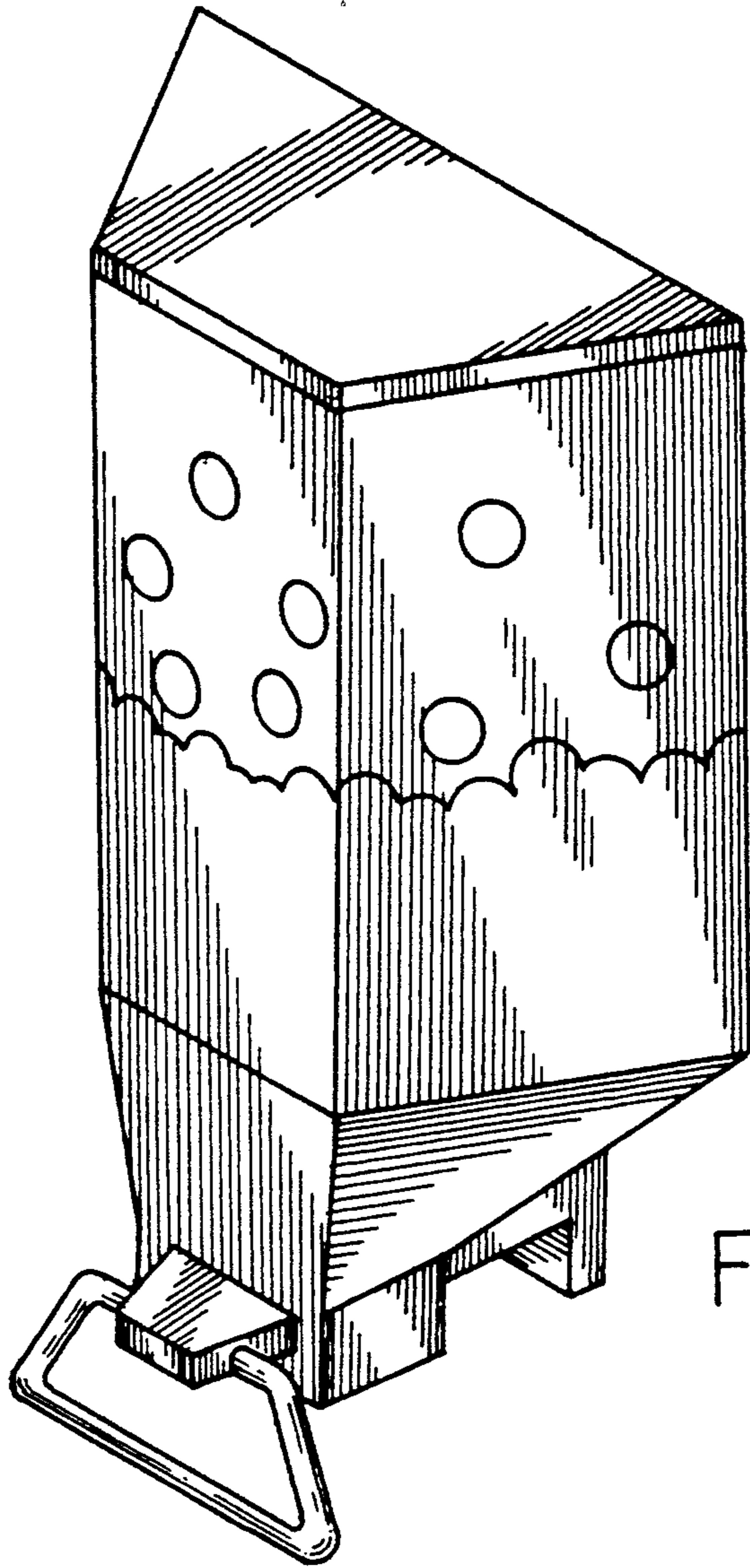


FIG.1.

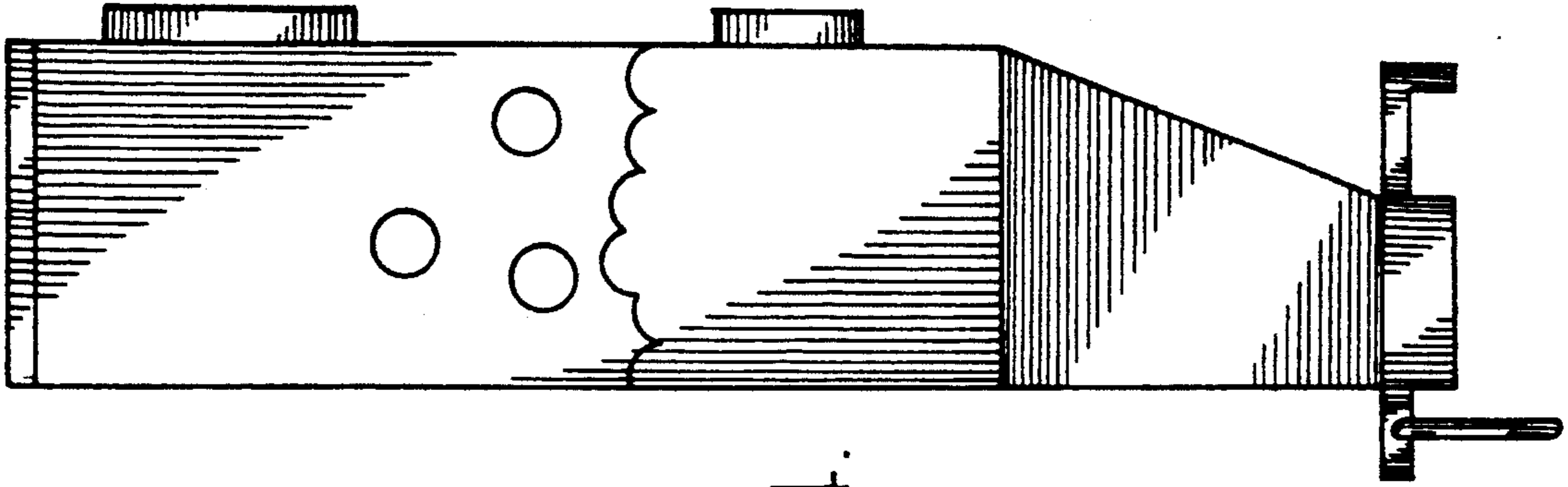


FIG. 4.

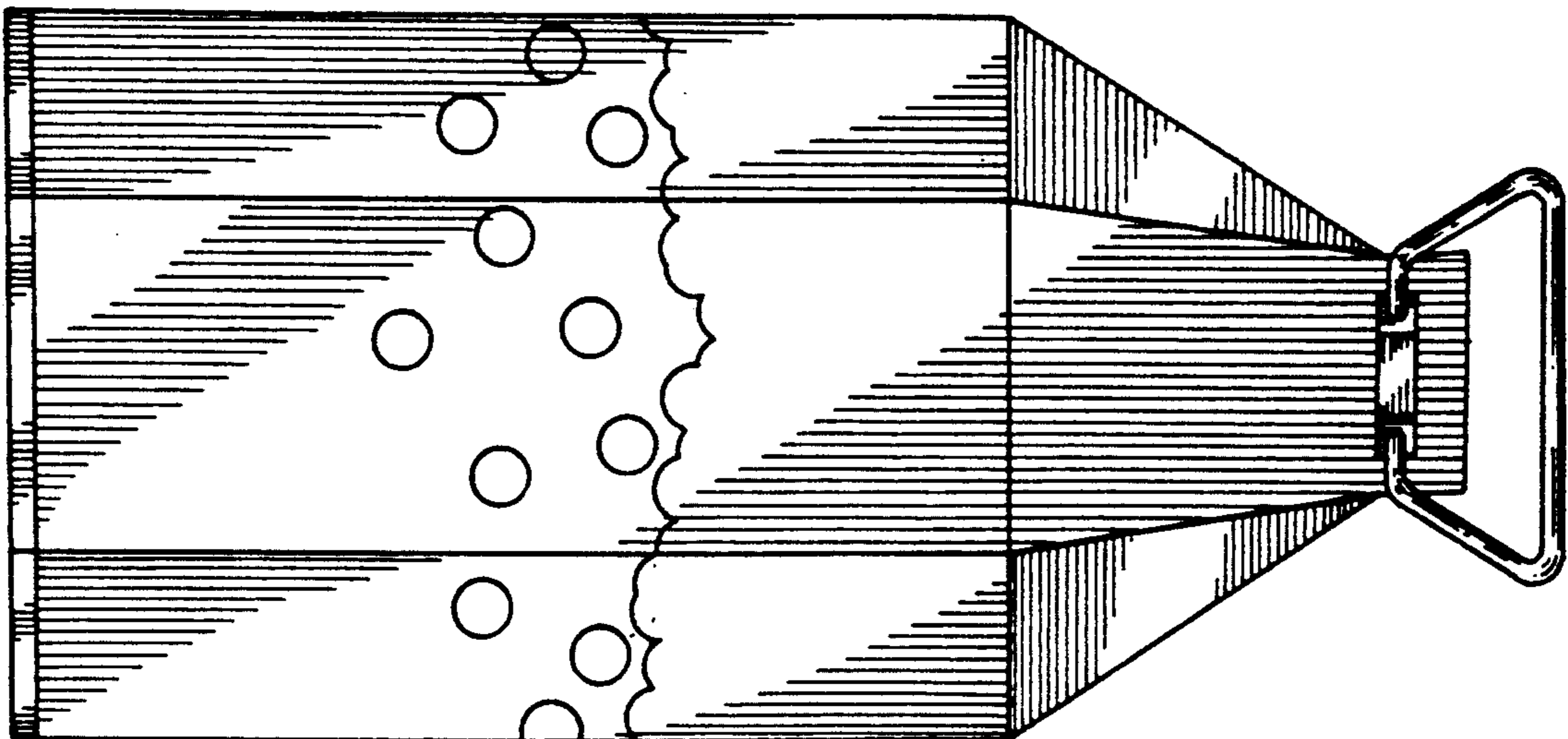


FIG. 2.

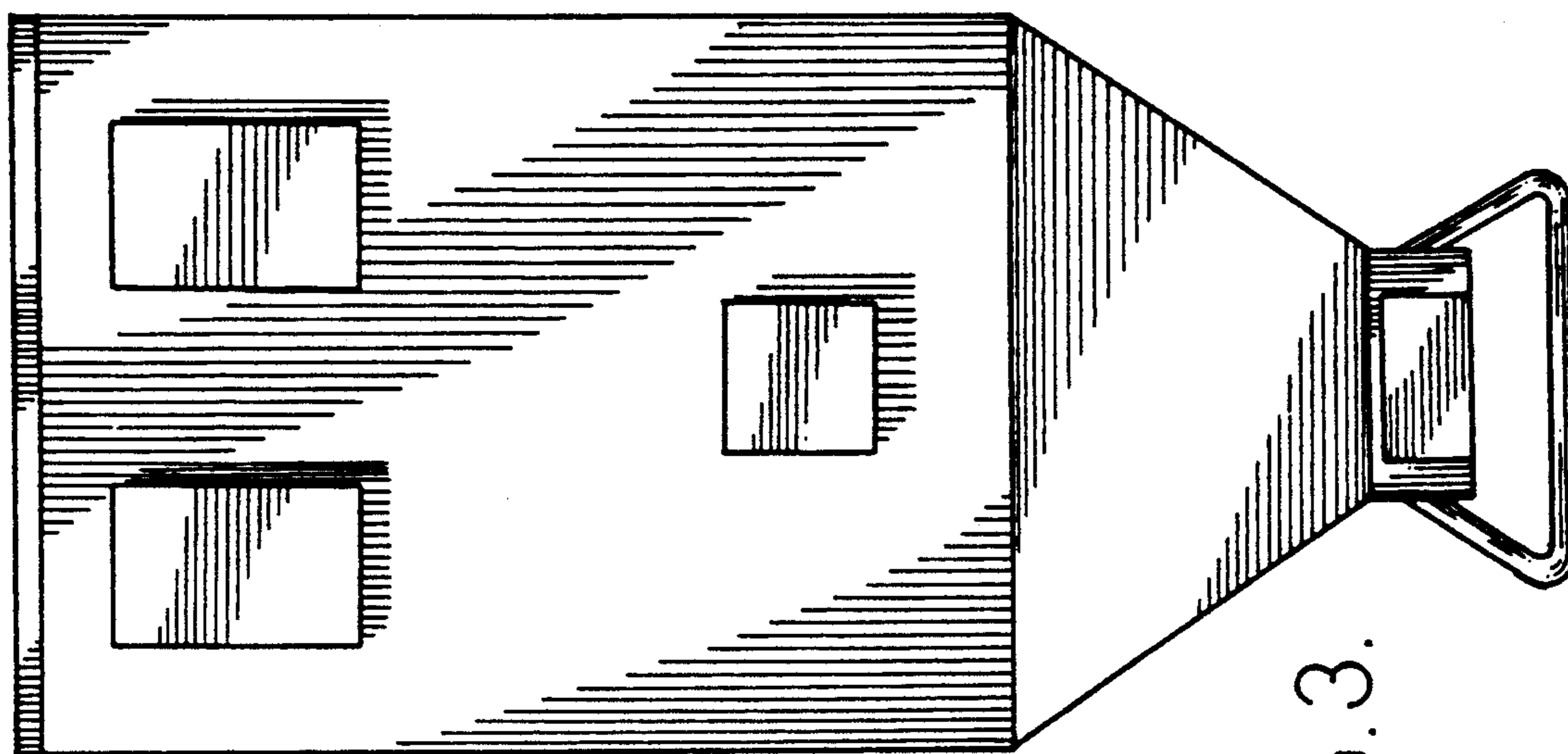


FIG. 3.

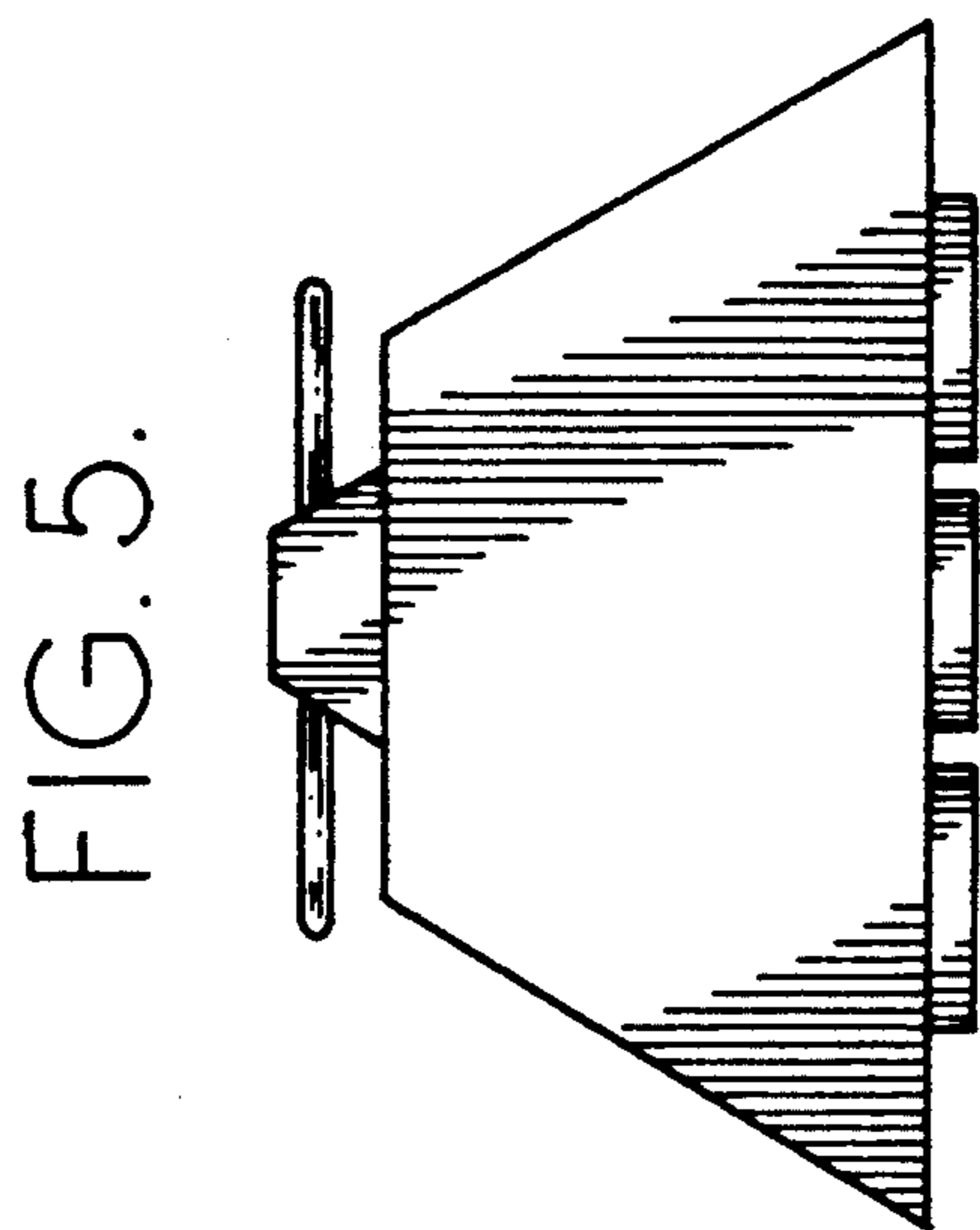


FIG. 5.

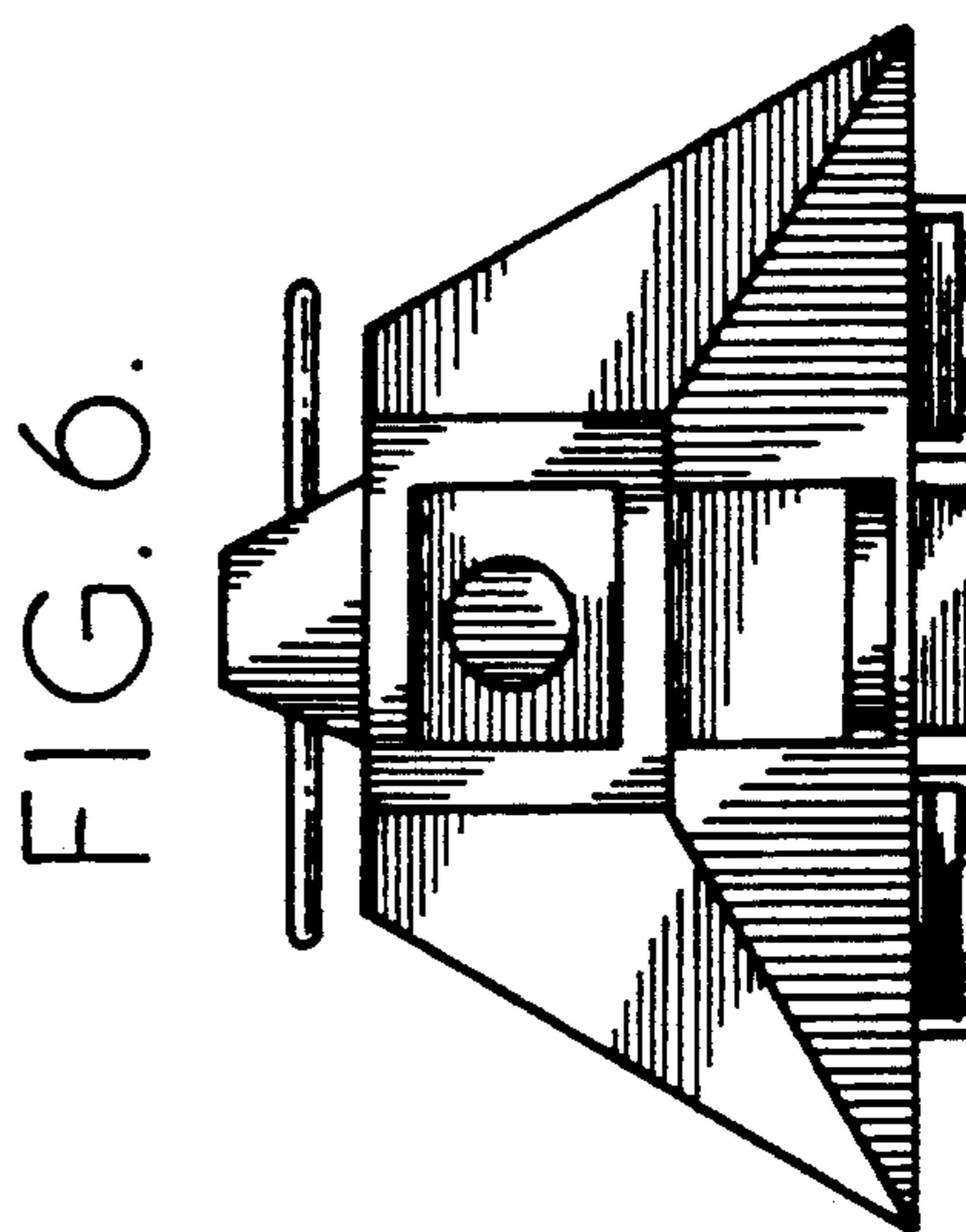


FIG. 6.