



US00D341973S

United States Patent [19]

[11] Patent Number: **Des. 341,973**

Gerstmar

[45] Date of Patent: **** Dec. 7, 1993**

[54] **COMBINED SPONGE CADDY AND FLUID DISPENSING HOUSING**

[57] **CLAIM**

The ornamental design for a combination sponge caddy and fluid dispenser housing, as shown and described.

[76] Inventor: **Gail L. Gerstmar, 9350 SW. Hall Blvd., #7, Tigard, Oreg. 97223**

DESCRIPTION

[**] Term: **14 Years**

FIG. 1 is a top, front, and right side perspective view of a combined sponge caddy and fluid dispenser housing showing my new design, the broken-line disclosure of a pump dispenser cap being for illustrative purposes only and forming no part of the claimed design;

[21] Appl. No.: **877,156**

FIG. 2 is a reduced front elevational view thereof;

[22] Filed: **May 1, 1992**

FIG. 3 is a reduced right side elevational view thereof;

[52] U.S. Cl. **D6/542; D6/524**

FIG. 4 is a reduced bottom plan view thereof;

[58] Field of Search **D6/524-525, D6/542-545; D3/30.1, 39; 206/77.1, 207-210, 438, 557, 362; 211/13, 60.1, 20.6, 70.7, 71, 74**

FIG. 5 is a reduced top plan view thereof;

FIG. 6 is a reduced rear elevational view thereof;

FIG. 7 is a reduced left side elevational view thereof;

FIG. 8 is a top, front, and right side perspective view thereof, with portions of the front and right side walls shown broken-away to reveal features on the interior;

[56] **References Cited**

U.S. PATENT DOCUMENTS

- D. 220,708 5/1971 Brott .
- D. 228,540 10/1973 Smith .
- D. 247,940 5/1978 Tobin .
- D. 293,532 1/1988 Sussman D6/541 X
- D. 329,561 9/1992 Nyorkor D6/525
- 4,548,340 10/1985 Messer 222/181 X
- 4,754,883 7/1988 Grzywa 211/71

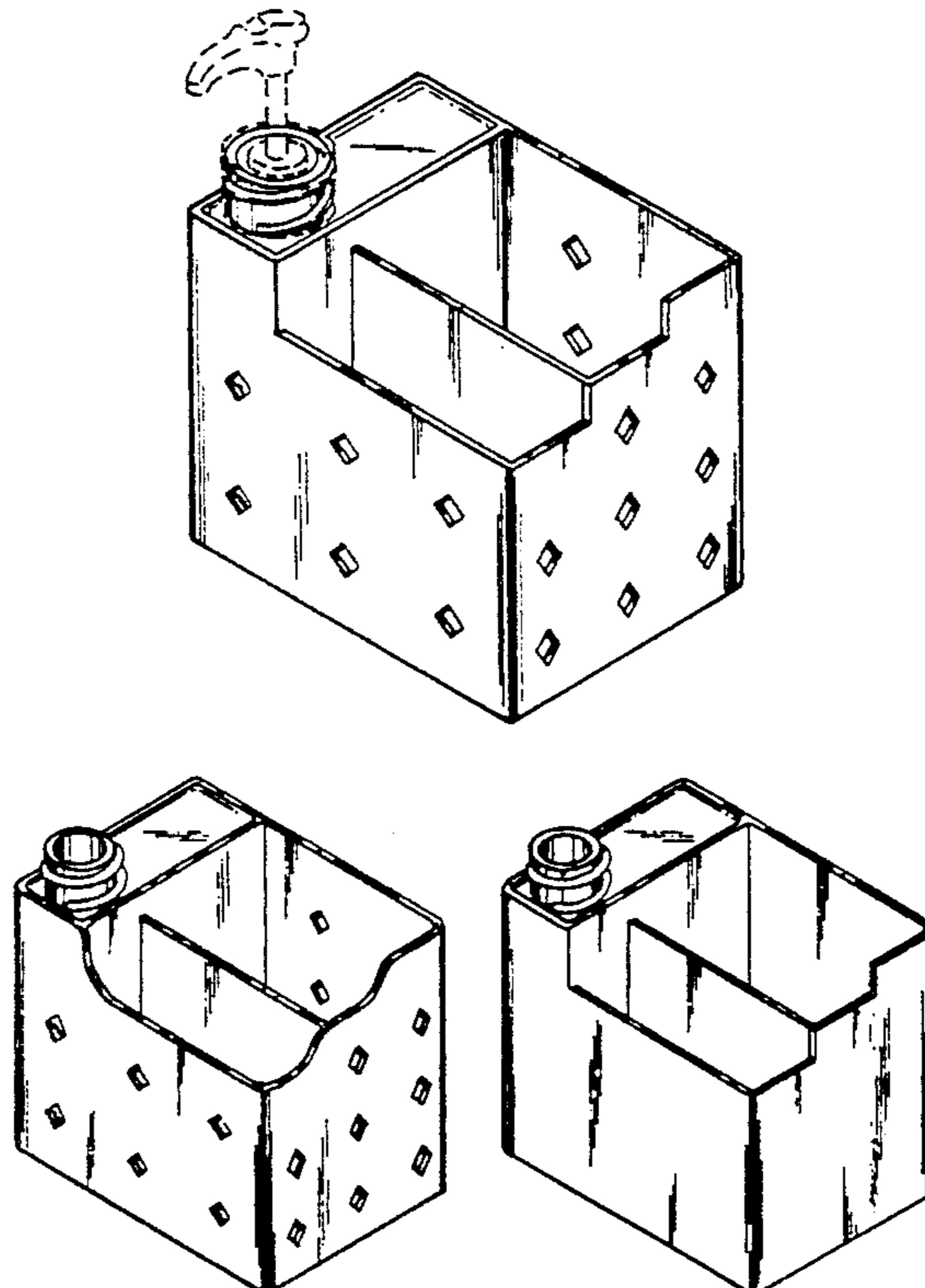
FIG. 9 is a reduced top, front, and right side perspective view of a second embodiment thereof; the only difference being in the configuration of a portion of the tops of the front and right side walls;

FIG. 10 is a top, front, and right side perspective view of a third embodiment thereof, the only difference being in the configuration of the apertures in the walls;

FIG. 11 is a top, front, and right side perspective view of a fourth embodiment thereof, the only difference being in the configuration of the apertures in the walls; and,

Primary Examiner—Brian N. Vinson
Attorney, Agent, or Firm—Kolisch Hartwell Dickinson McCormack & Heuser

FIG. 12 is a top, front, and right side perspective view of a fifth embodiment thereof, the only difference being in the lack of apertures in the walls.



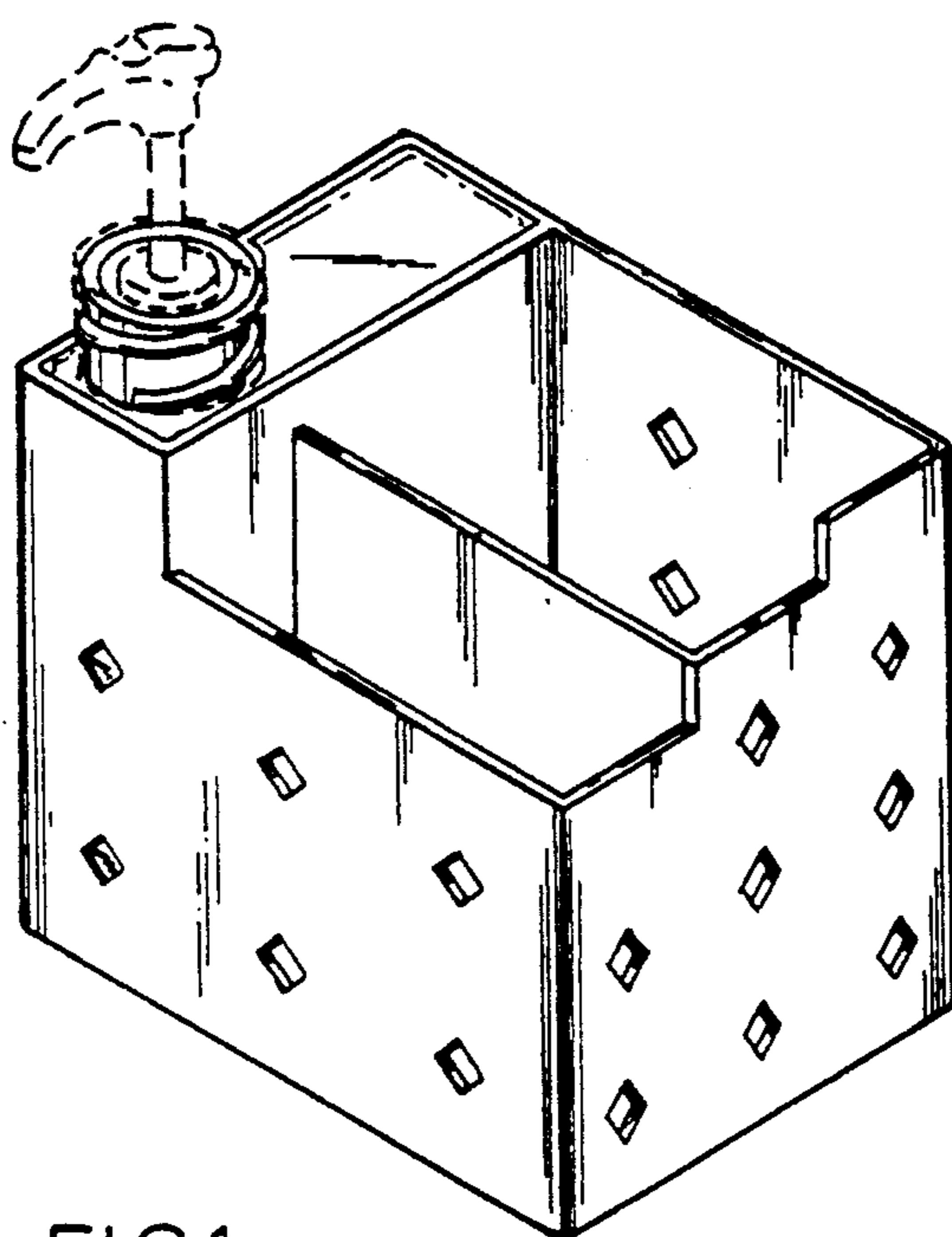


FIG. 1

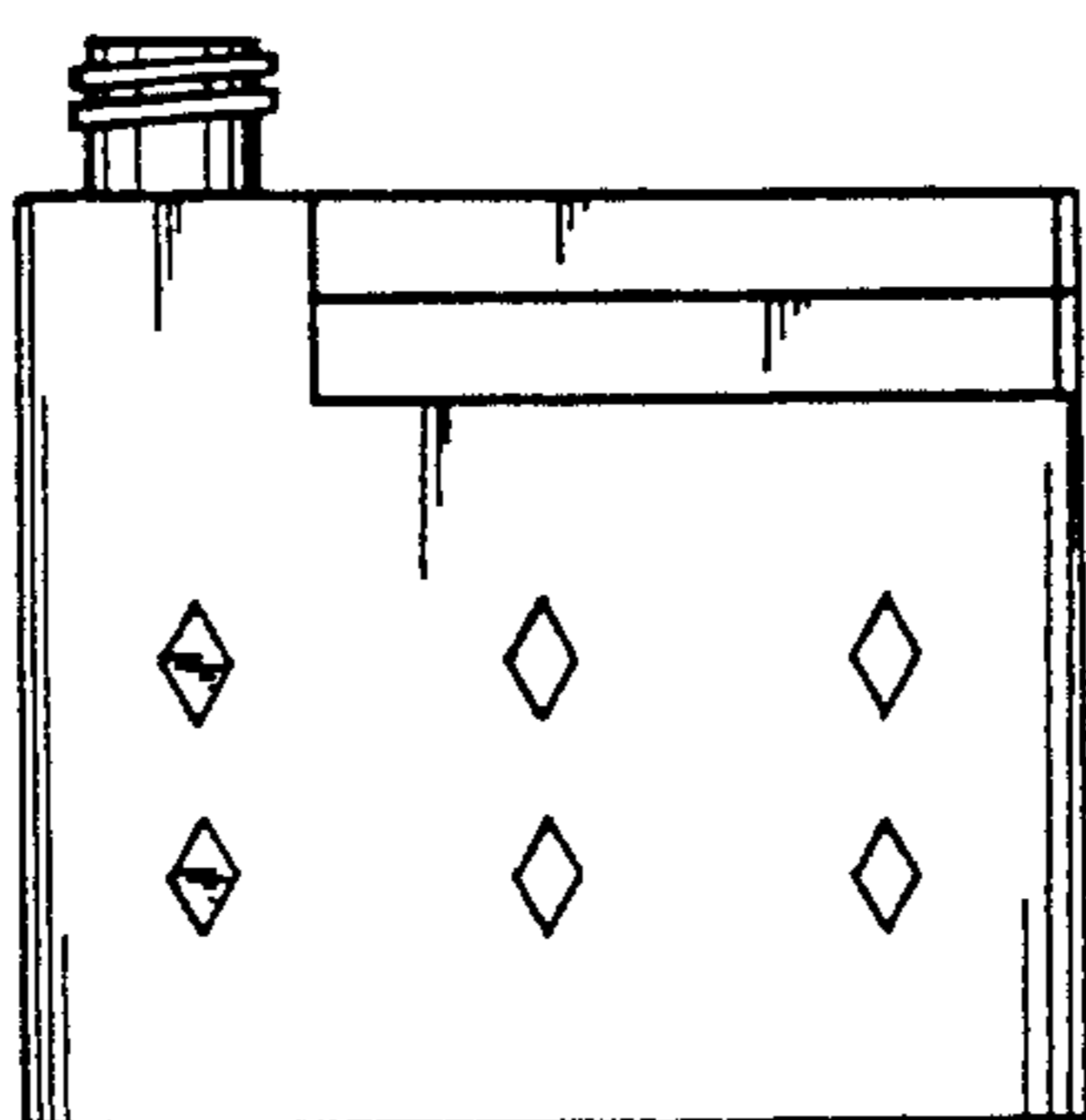


FIG. 2

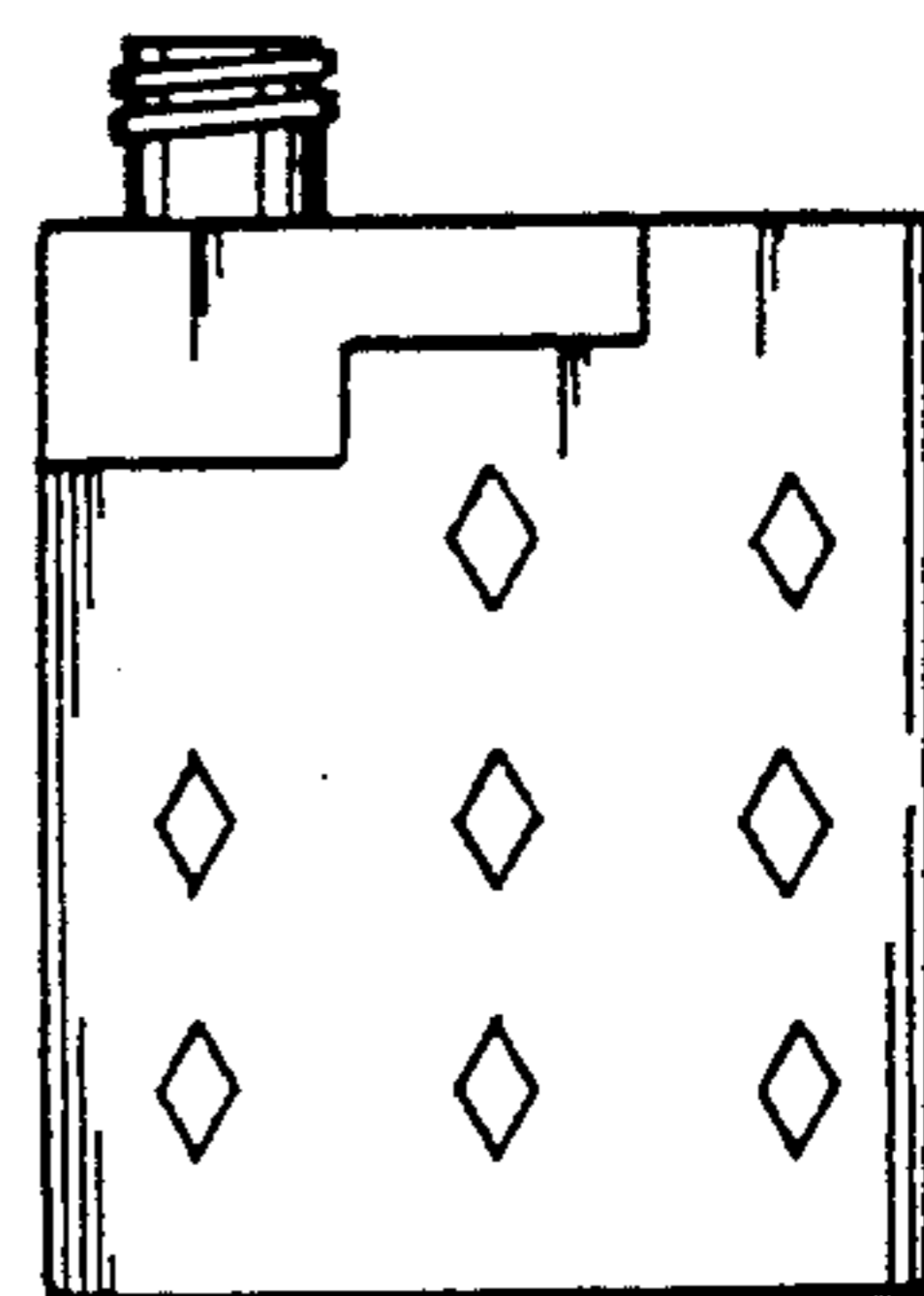


FIG. 3

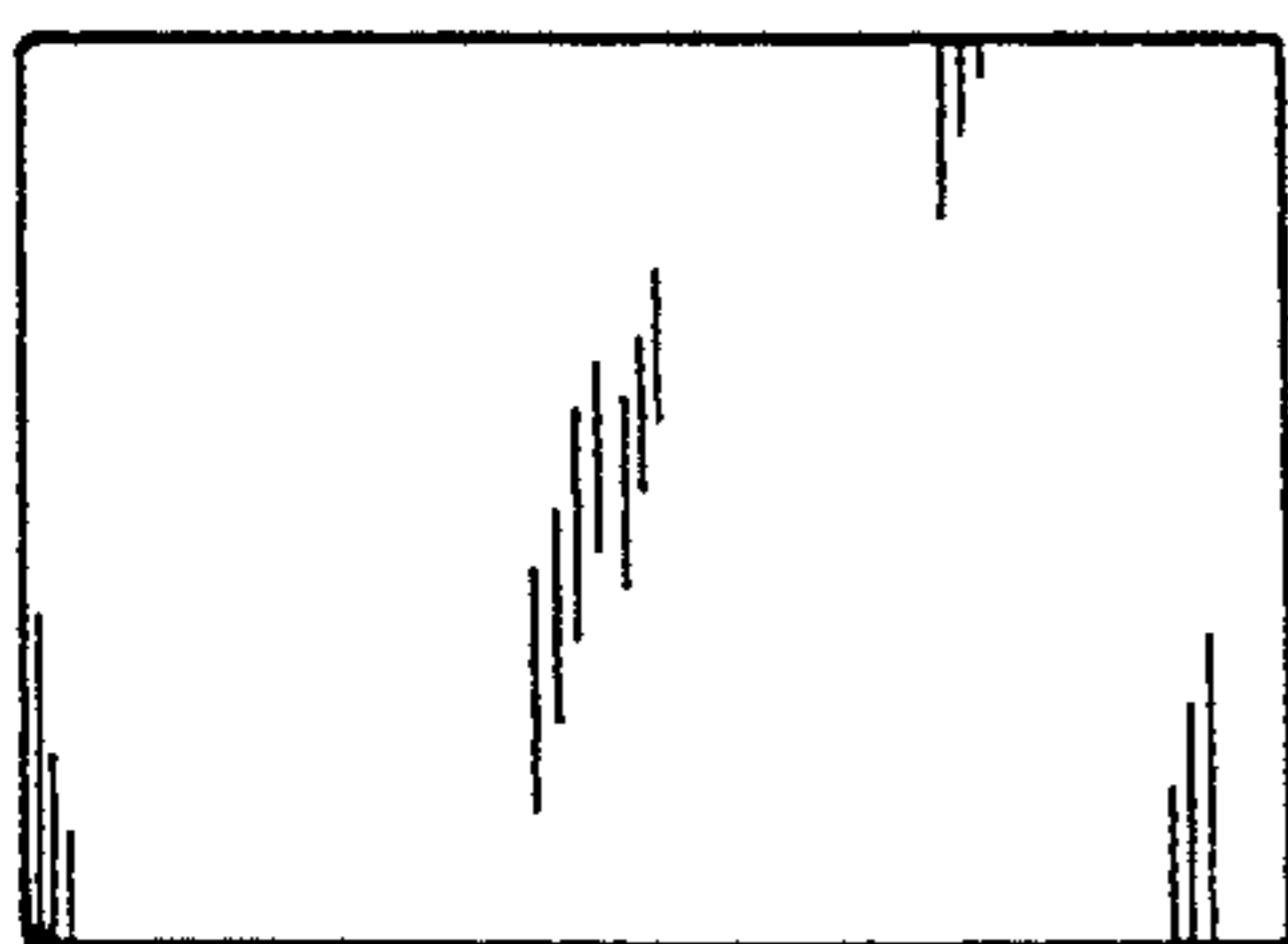


FIG. 4

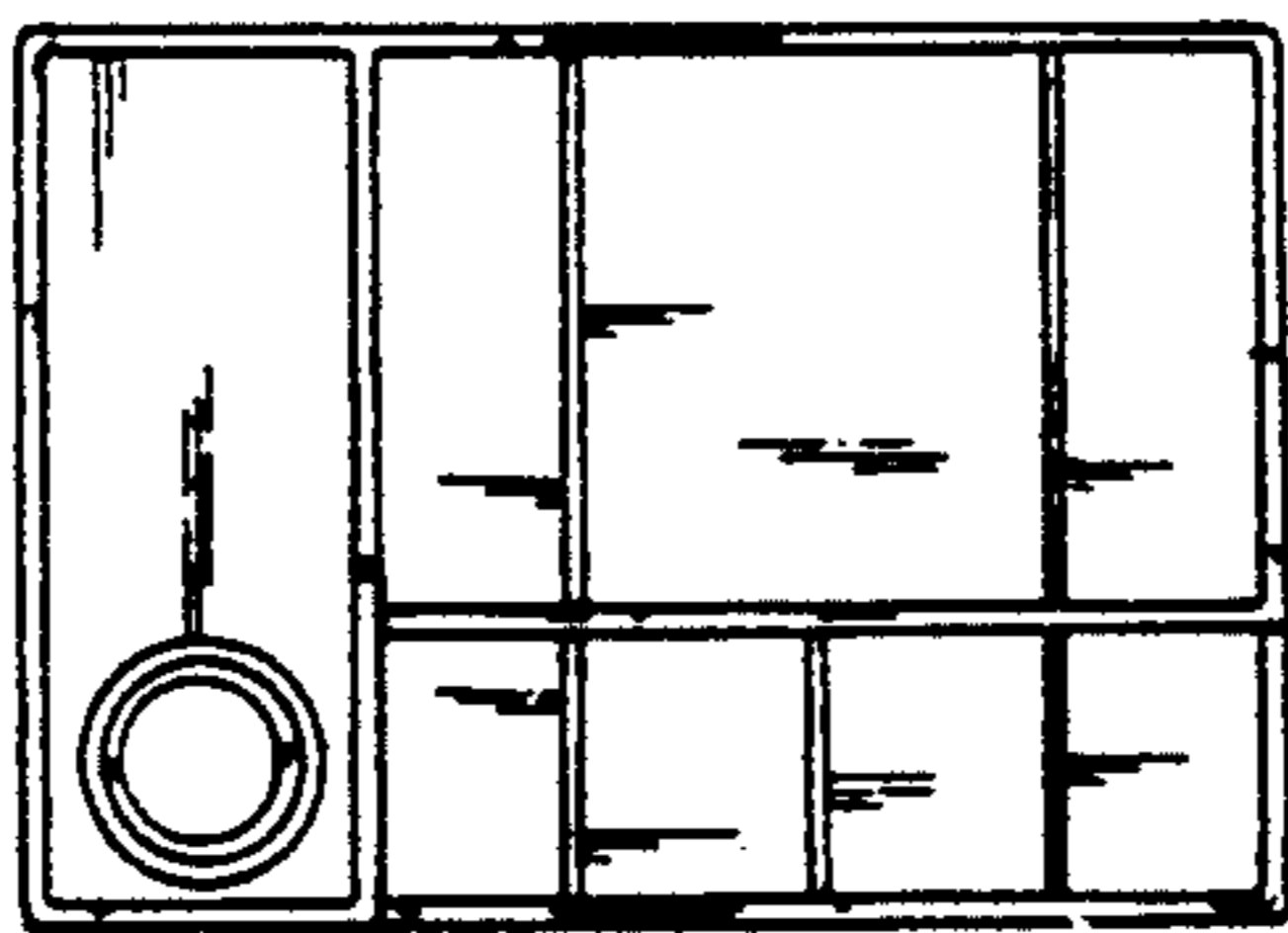


FIG. 5

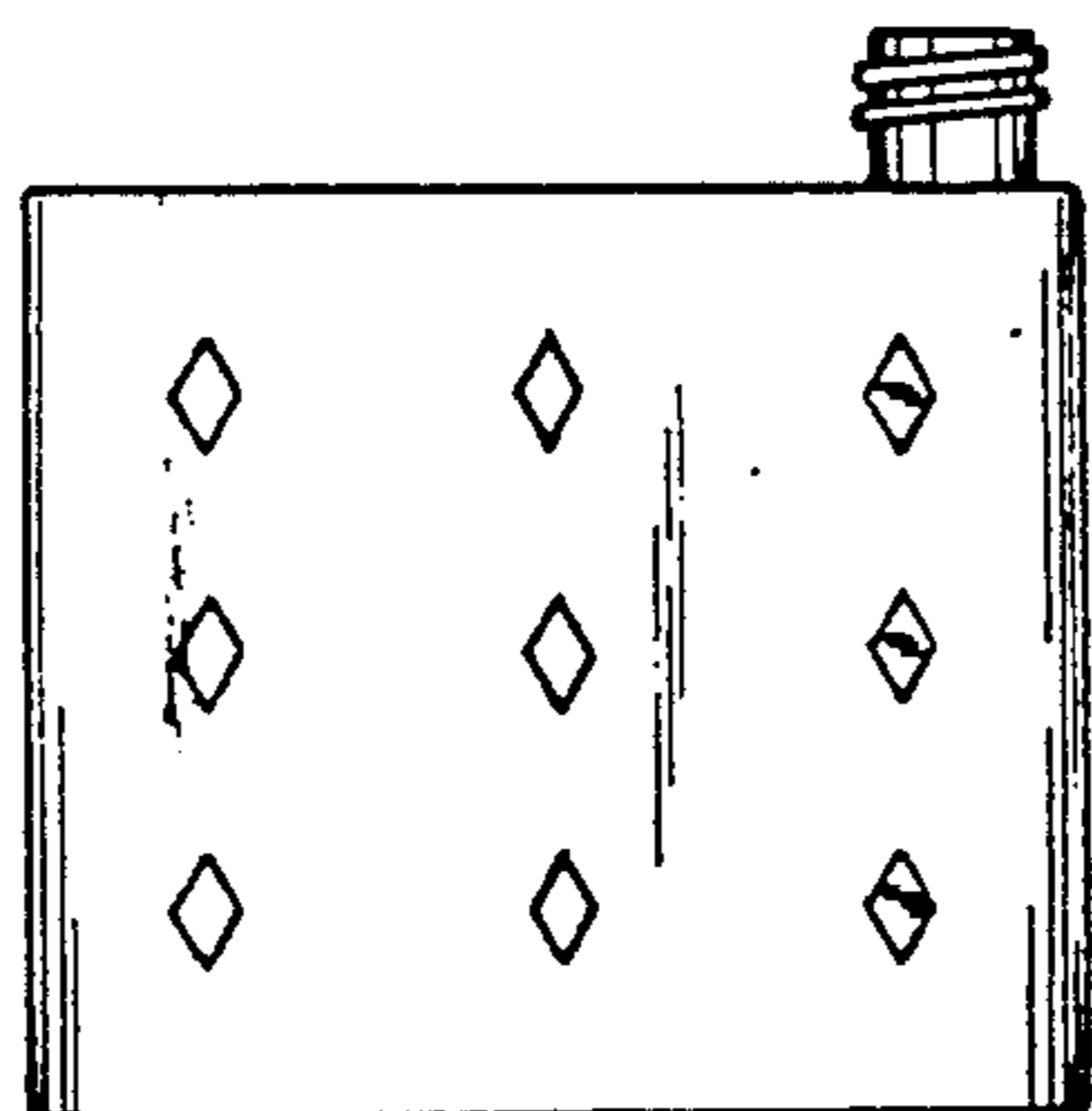


FIG. 6

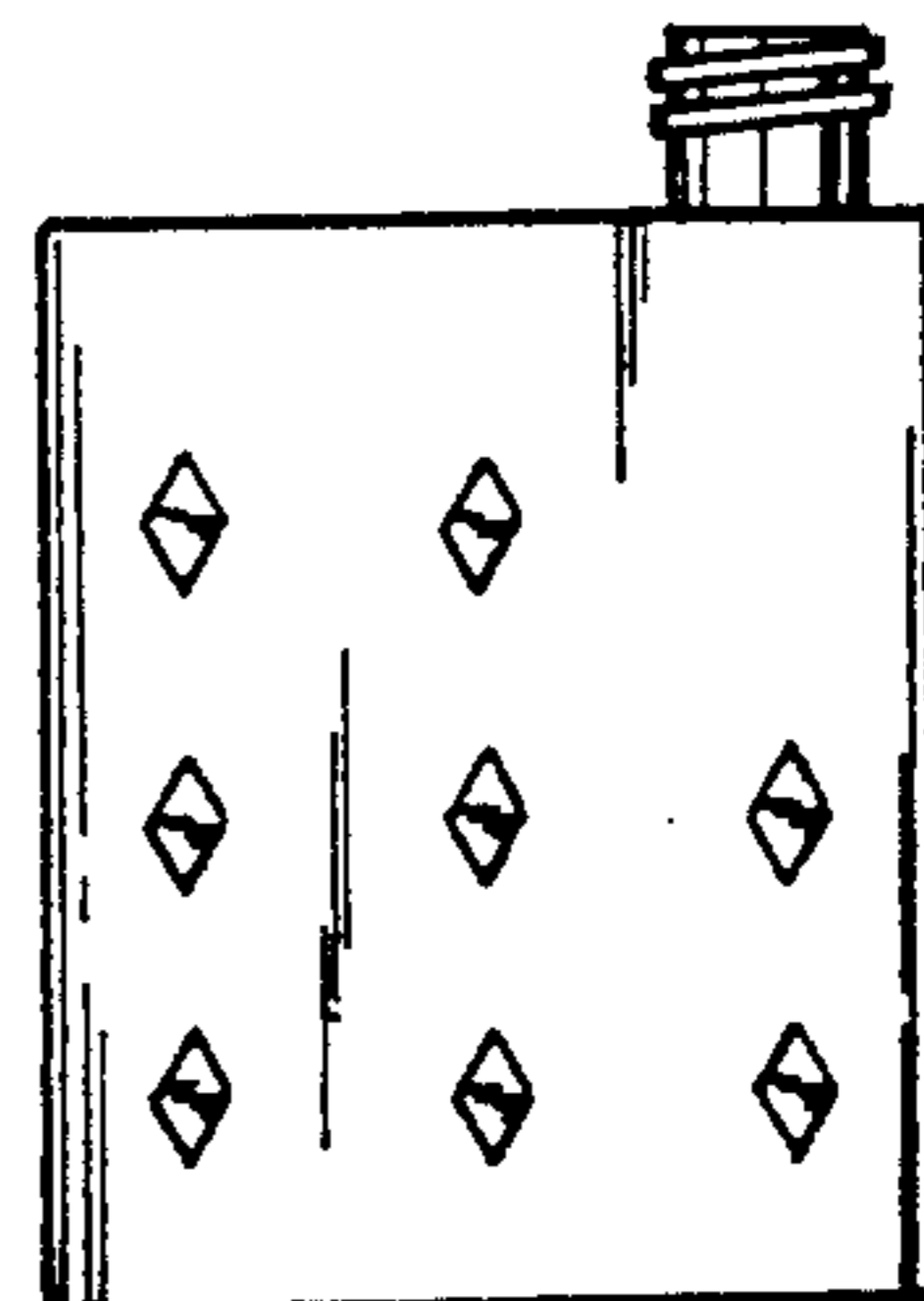


FIG. 7

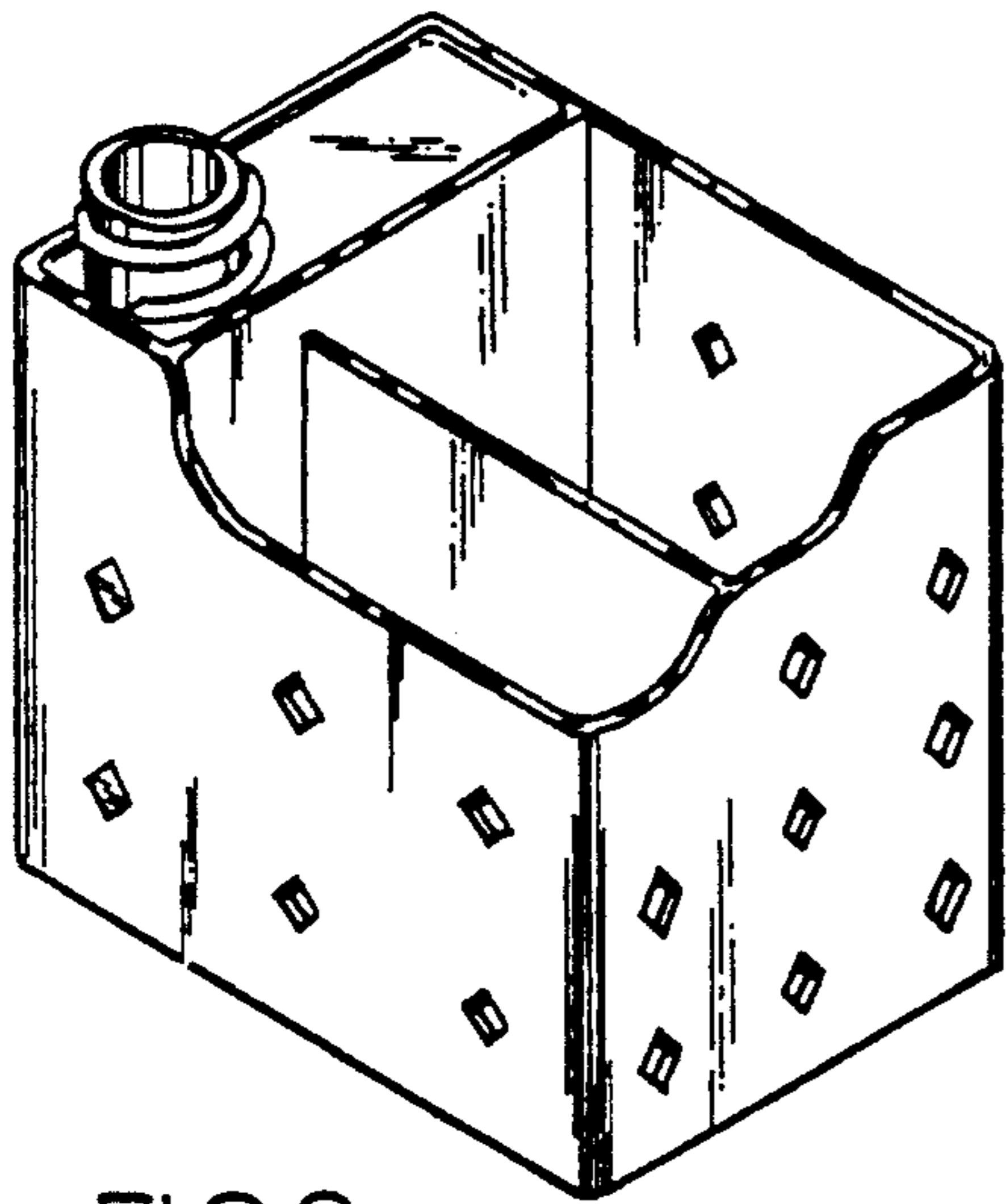


FIG. 9

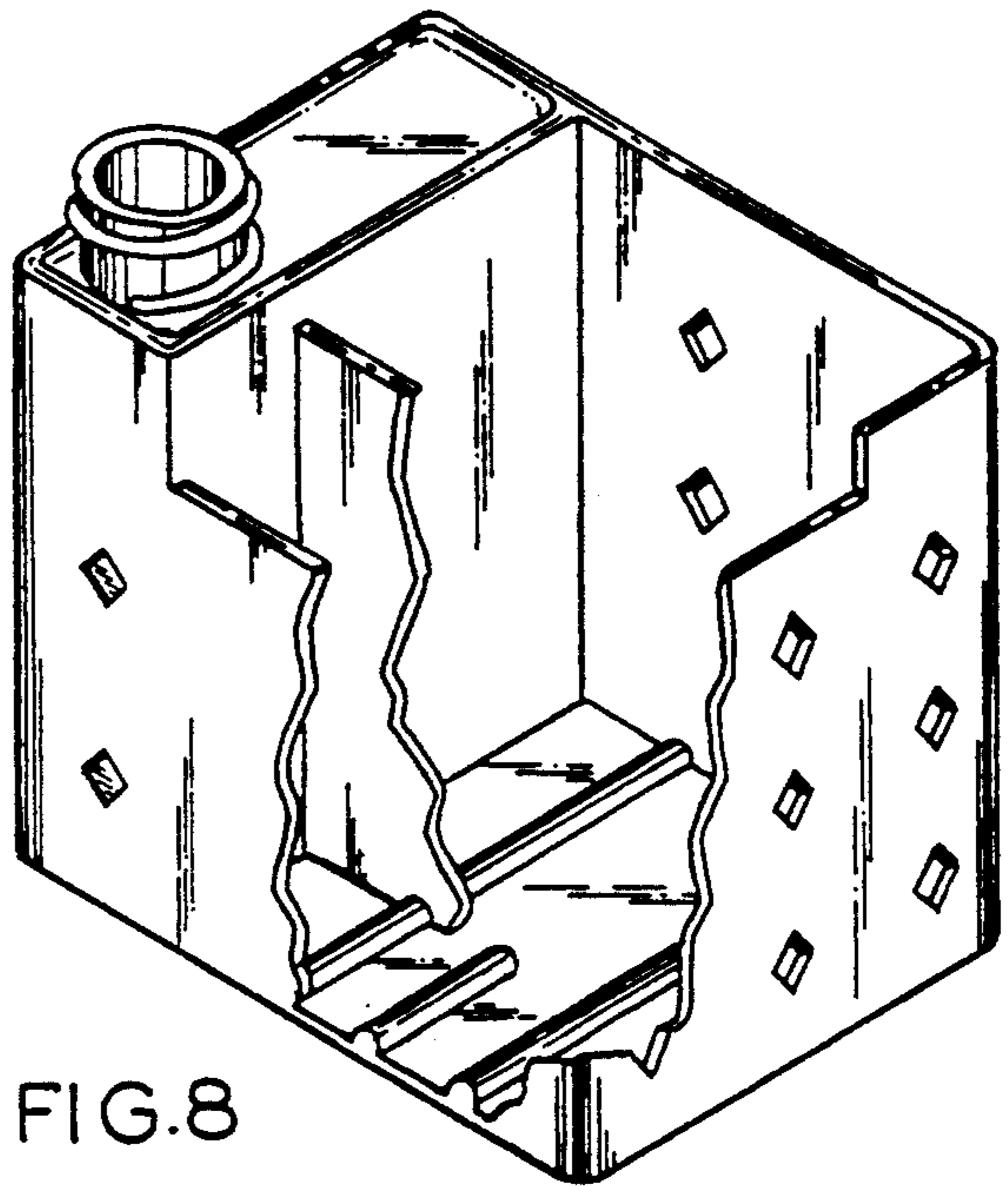


FIG. 8

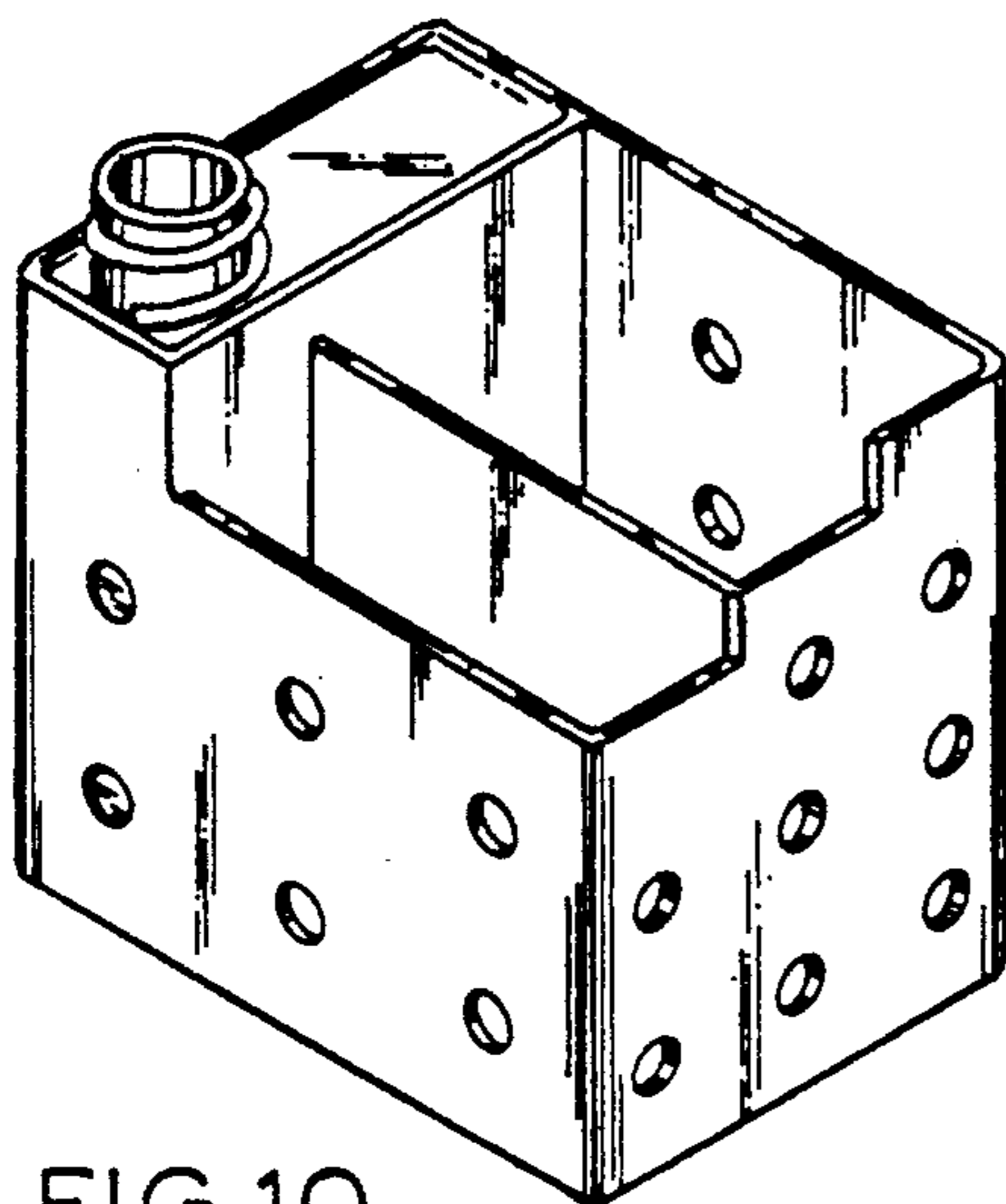


FIG. 10

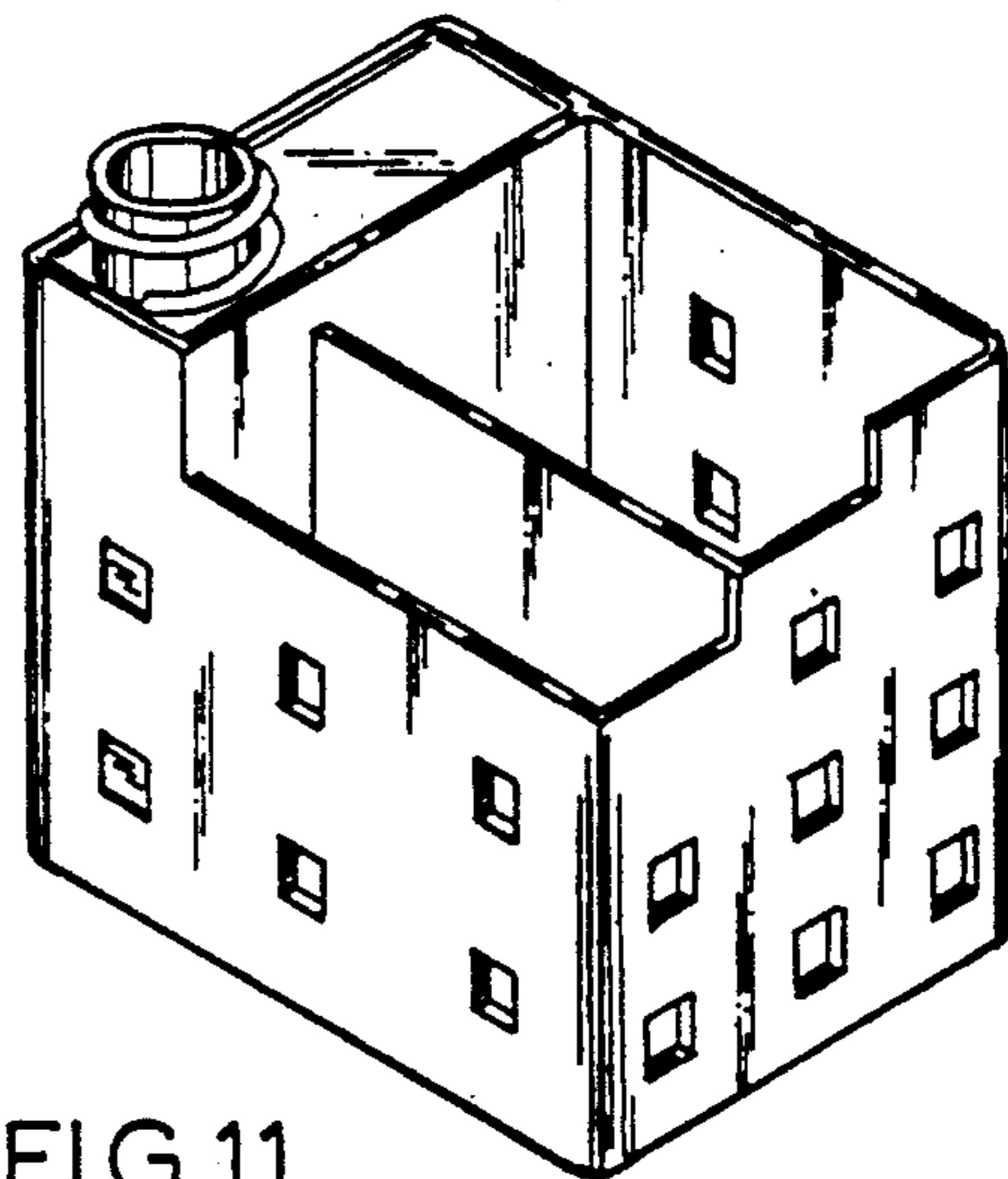


FIG. 11

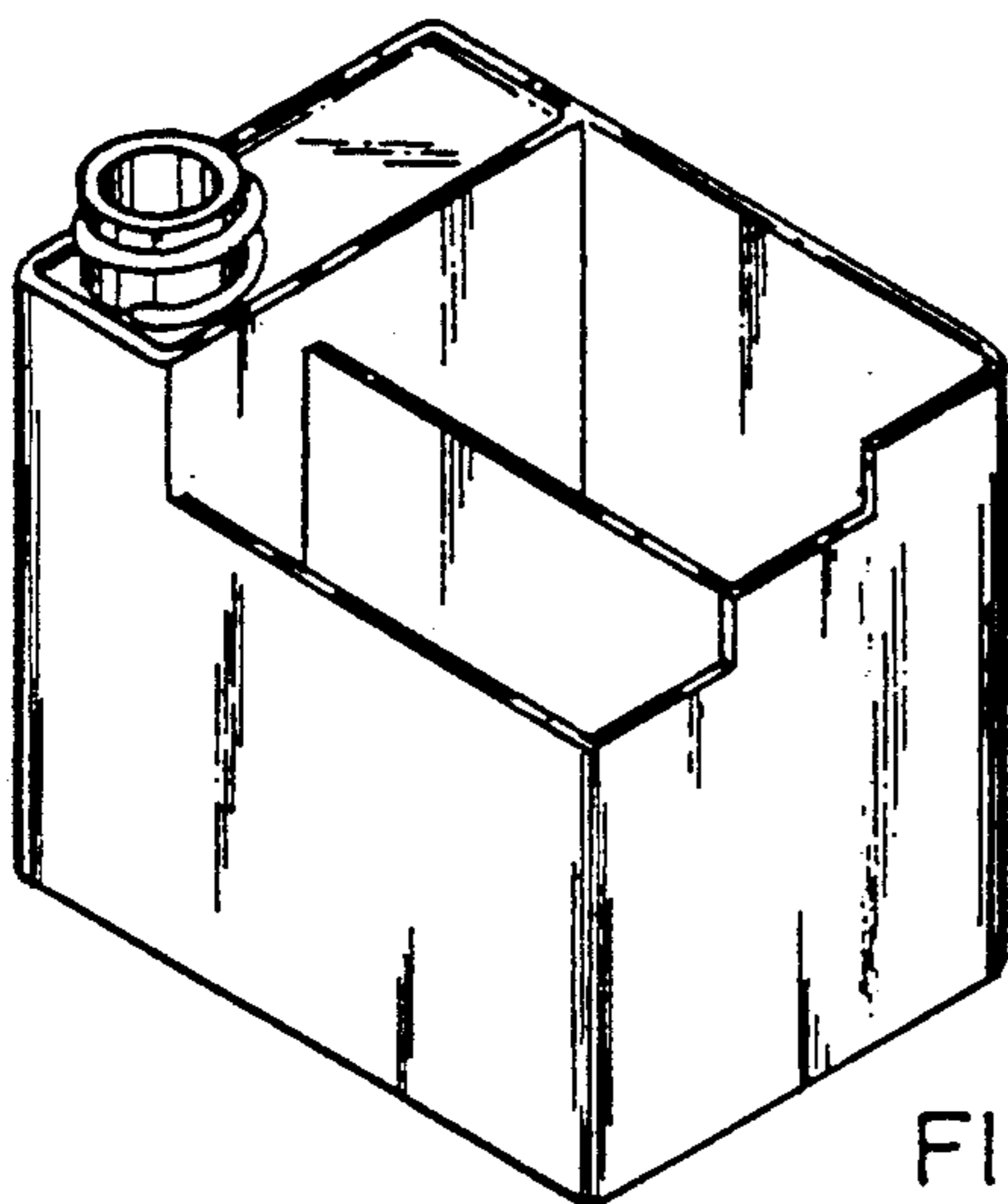


FIG. 12