



US00D341969S

United States Patent [19]

[11] Patent Number: **Des. 341,969**

Hazelton Kroah

[45] Date of Patent: **** Dec. 7, 1993**

[54] CHILD'S CAR SEAT FOOT REST

[76] Inventor: **Lisa Hazelton Kroah**, 243 Pine Point Rd., Scarborough, Me. 04074, now by change of name from Lisa Hazelton

[**] Term: **14 Years**

[21] Appl. No.: **695,885**

[22] Filed: **May 3, 1991**

[52] U.S. Cl. **D6/501**

[58] Field of Search D6/333, 339, 368, 501, D6/509; 297/DIG. 4, 219, 250, 231; 5/94, 417

[56] References Cited

U.S. PATENT DOCUMENTS

D. 264,788	6/1982	Blanchard	D6/333
D. 315,837	4/1991	Bernon	D6/368
4,402,548	9/1983	Mason	297/250 X
4,565,405	1/1986	Mayer	297/219 X
4,930,842	6/1990	Wilkinson et al.	297/DIG 4 X

FOREIGN PATENT DOCUMENTS

469129	5/1914	France	297/231
54766	2/1911	Switzerland	297/231

Primary Examiner—Alan P. Douglas
Assistant Examiner—Monica A. Hannon
Attorney, Agent, or Firm—Laforest S. Saulsbury

[57] CLAIM

The ornamental design of a child's car seat foot rest, as shown and described.

DESCRIPTION

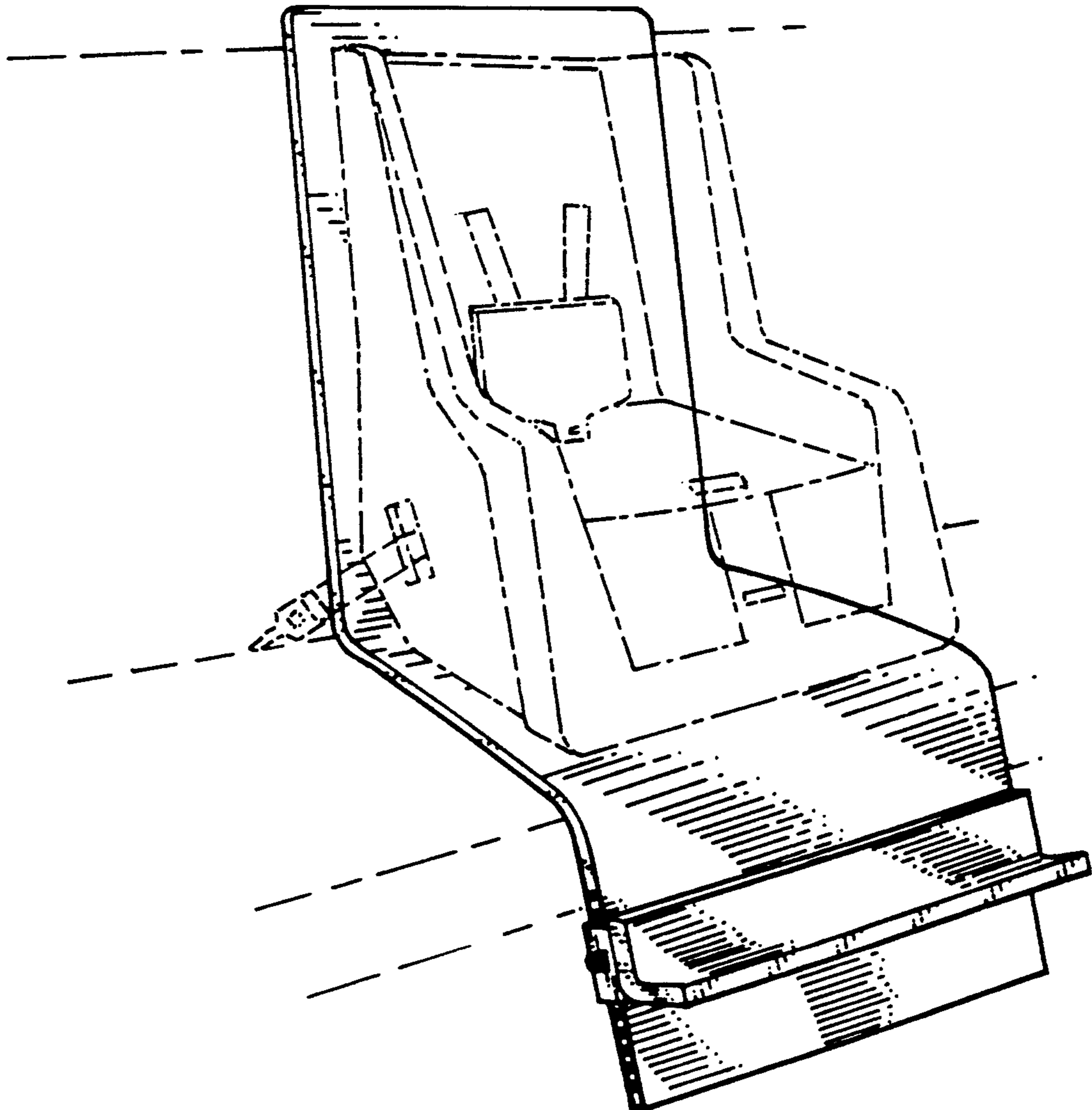
FIG. 1 is a side and top perspective view of a child's car seat foot rest showing my new design according to one form of the invention;

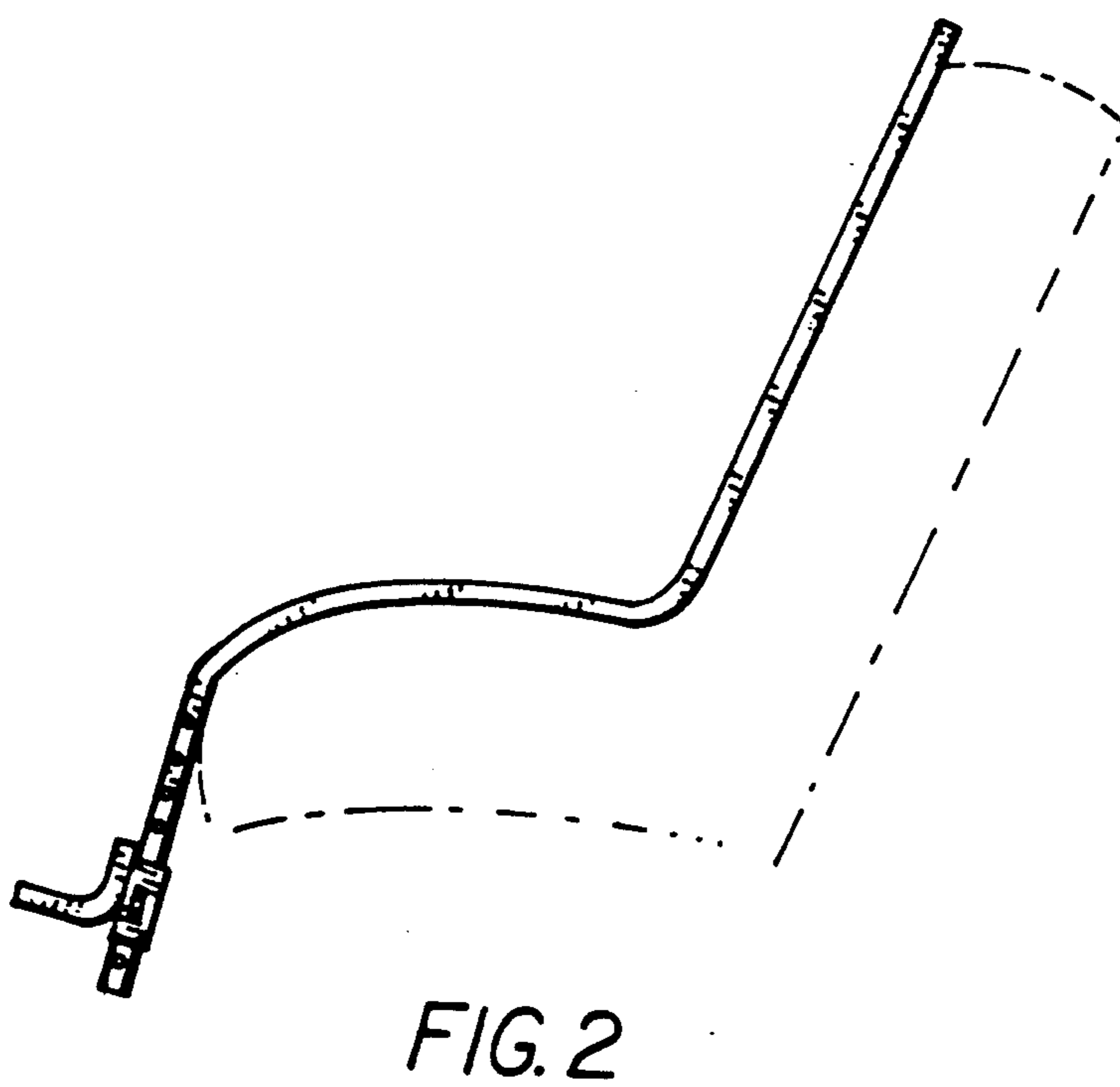
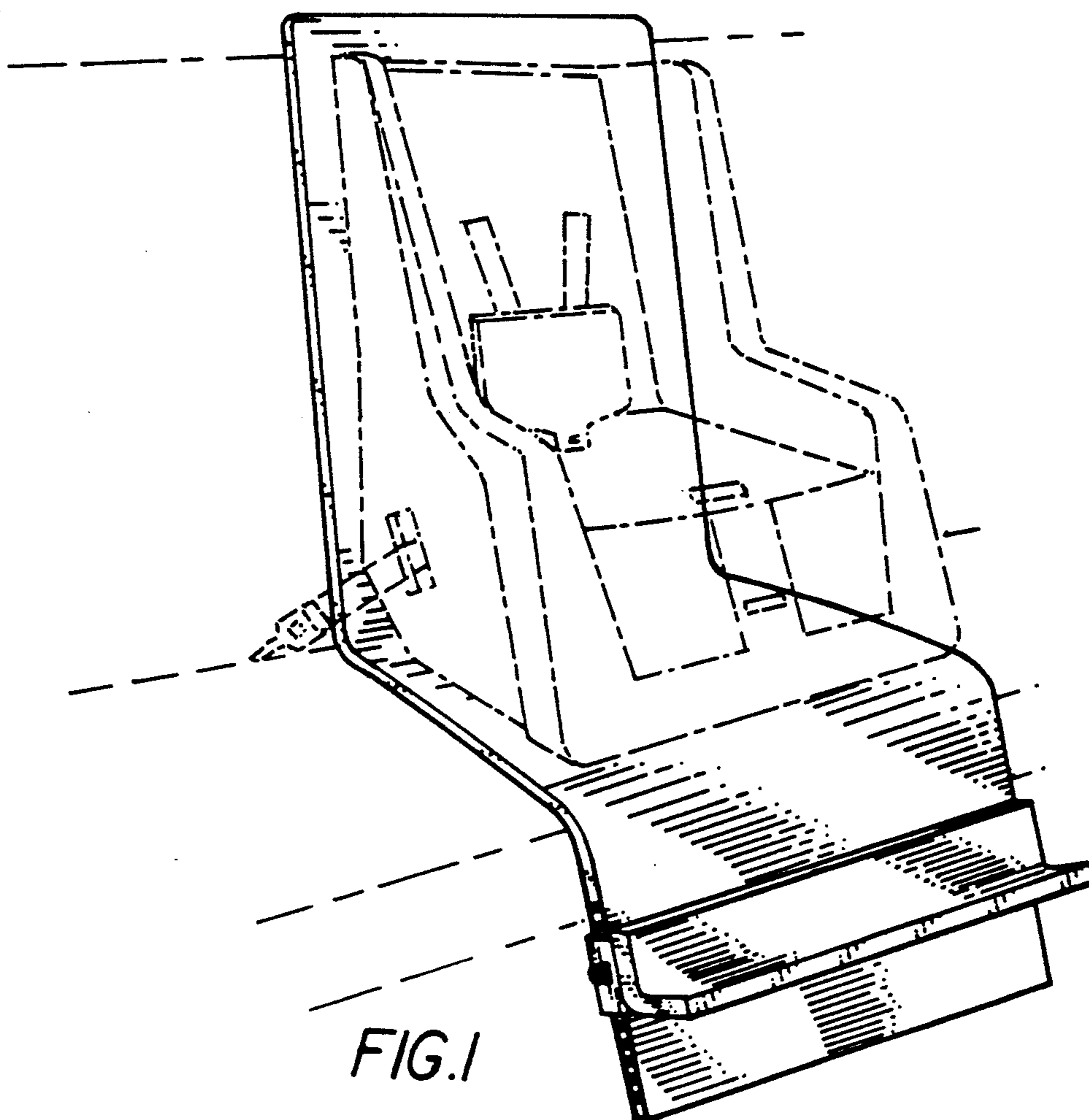
FIG. 2 is a side elevational view thereof;

FIG. 3 is a side and top perspective view of the design according to another form of the invention; and,

FIG. 4 is a side elevational view thereof.

The broken line disclosure in FIGS. 1-4 is for environmental purposes only.





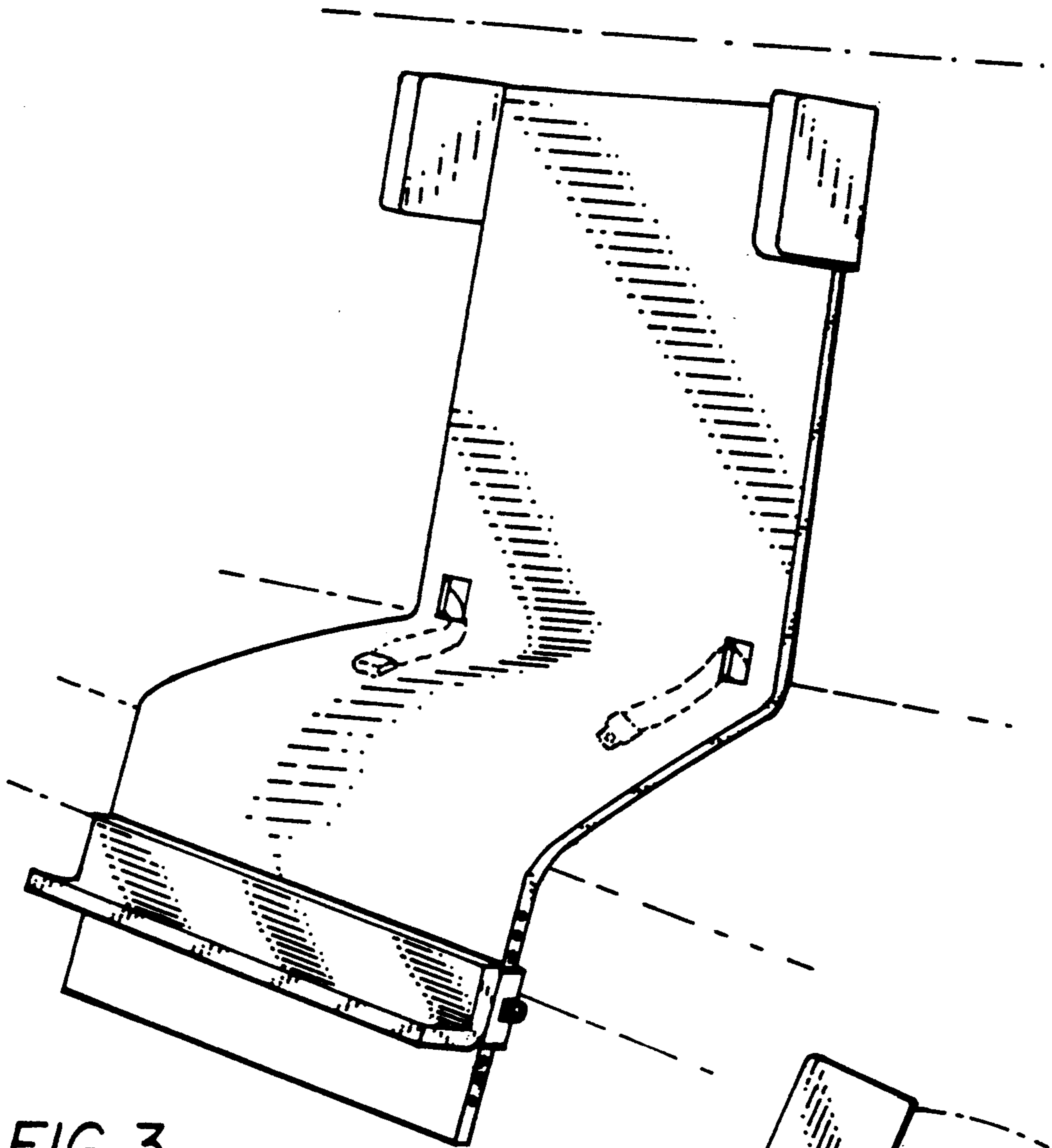


FIG. 3

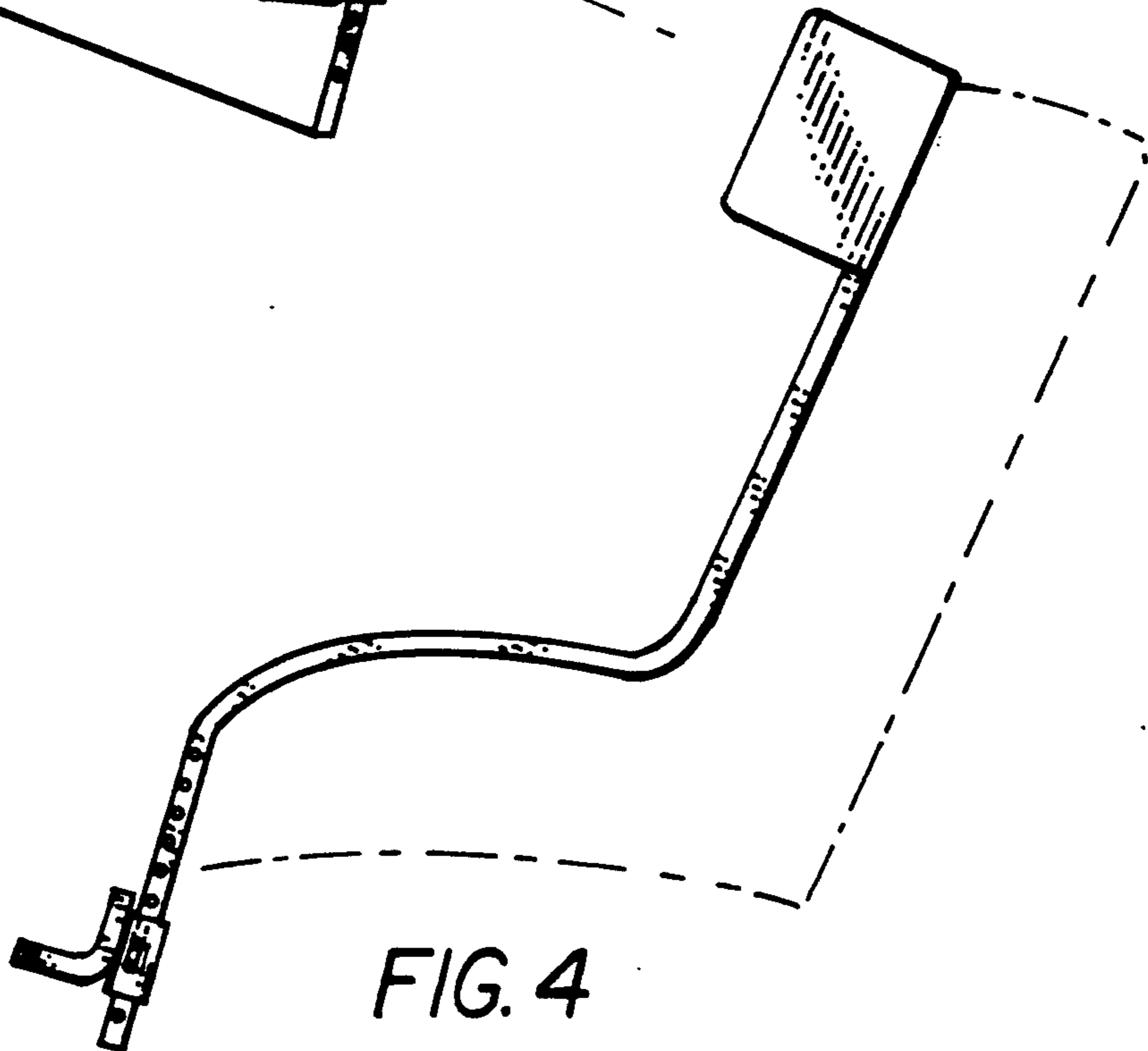


FIG. 4