



US00D341968S

United States Patent [19] Kumerfield

[11] Patent Number: **Des. 341,968**
[45] Date of Patent: **** Dec. 7, 1993**

[54] **MULTIPLE LABEL DISPENSER**

[75] Inventor: **Gary F. Kumerfield, Minnetonka, Minn.**

[73] Assignee: **Jay's Company, Wayzata, Minn.**

[**] Term: **14 Years**

[21] Appl. No.: **927,180**

[22] Filed: **Aug. 7, 1992**

[52] U.S. Cl. **D6/570; D6/518**

[58] Field of Search **D6/518, 522-523, D6/520; 242/55.2, 55.3, 55.53; 206/389**

[56] **References Cited**

U.S. PATENT DOCUMENTS

- D. 225,267 11/1972 Roisman D6/520
- D. 284,722 7/1986 Beckerman D6/520
- D. 335,597 5/1993 Winebrenner D6/522 X
- 3,570,731 3/1971 Waltz 242/55.3 X

OTHER PUBLICATIONS

A catalogue page illustration of label dispensers made by Ames Colorfile of Somerville, Mass. (undated).
A catalogue page illustration of label dispensers made

by St. John Companies of Santa Clarita, Calif., (undated).

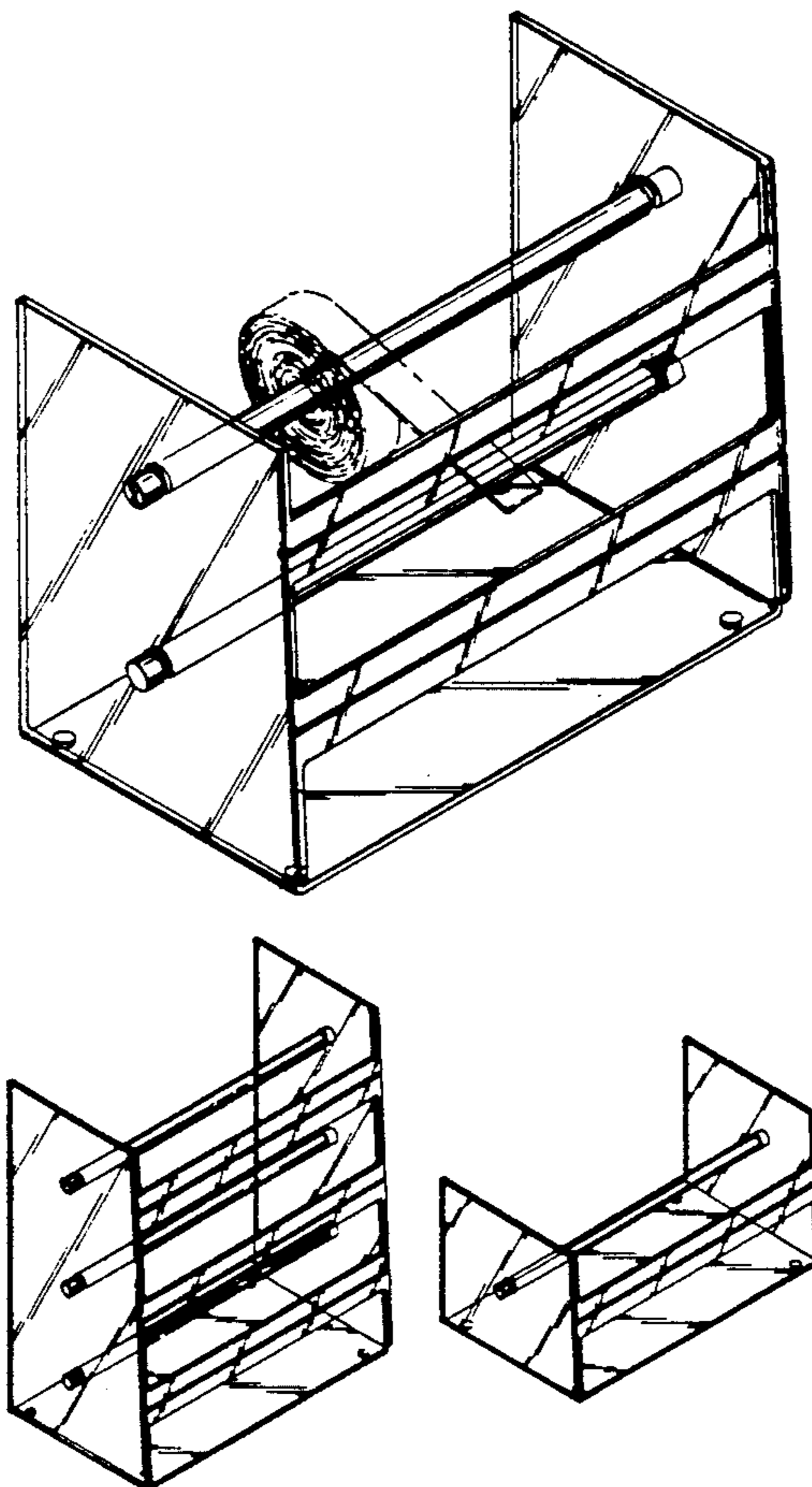
Primary Examiner—Brian N. Vinson
Attorney, Agent, or Firm—Merchant, Gould, Smith, Edell, Welter & Schmidt

[57] **CLAIM**

The ornamental design for a multiple label dispenser, as shown and described.

DESCRIPTION

FIG. 1 is a top, front, and left side perspective view of a multiple label dispenser showing my new design; FIG. 2 is a front elevational view thereof; FIG. 3 is a rear elevational view thereof; FIG. 4 is a top plan view thereof; FIG. 5 is a bottom plan view thereof; FIG. 6 is a right side elevational view thereof, the left side being a mirror image of that shown; FIG. 7 is a reduced top, front, and left side perspective view of a second embodiment thereof, the only difference residing in the presence of a third spindle; and, FIG. 8 is a reduced top, front, and left side perspective view of a third embodiment thereof, the only difference residing in the presence of only one spindle. The broken-line disclosure of a roll of labels in the views is for illustrative purposes only and forms no part of the claimed design.



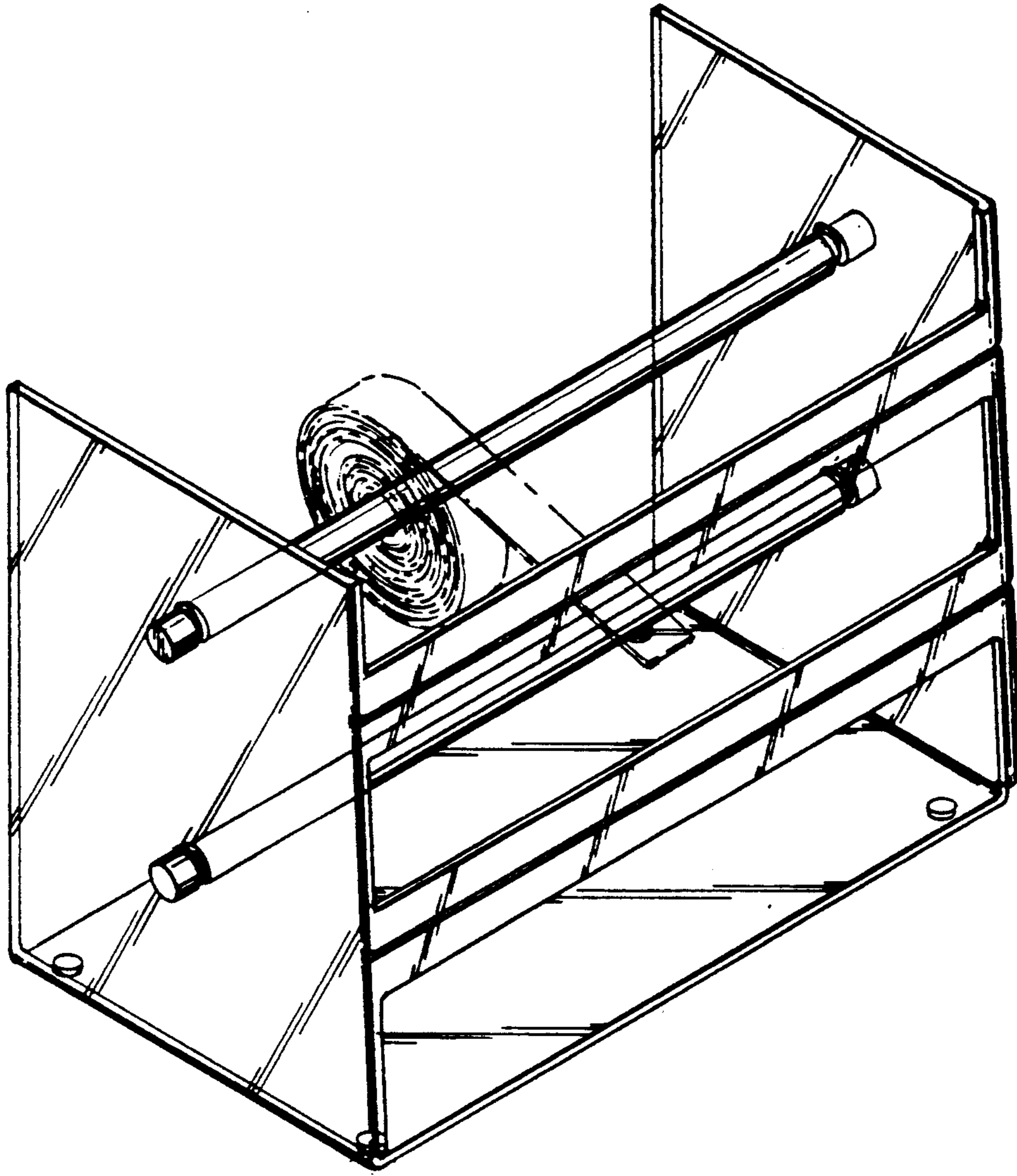


FIG. 1

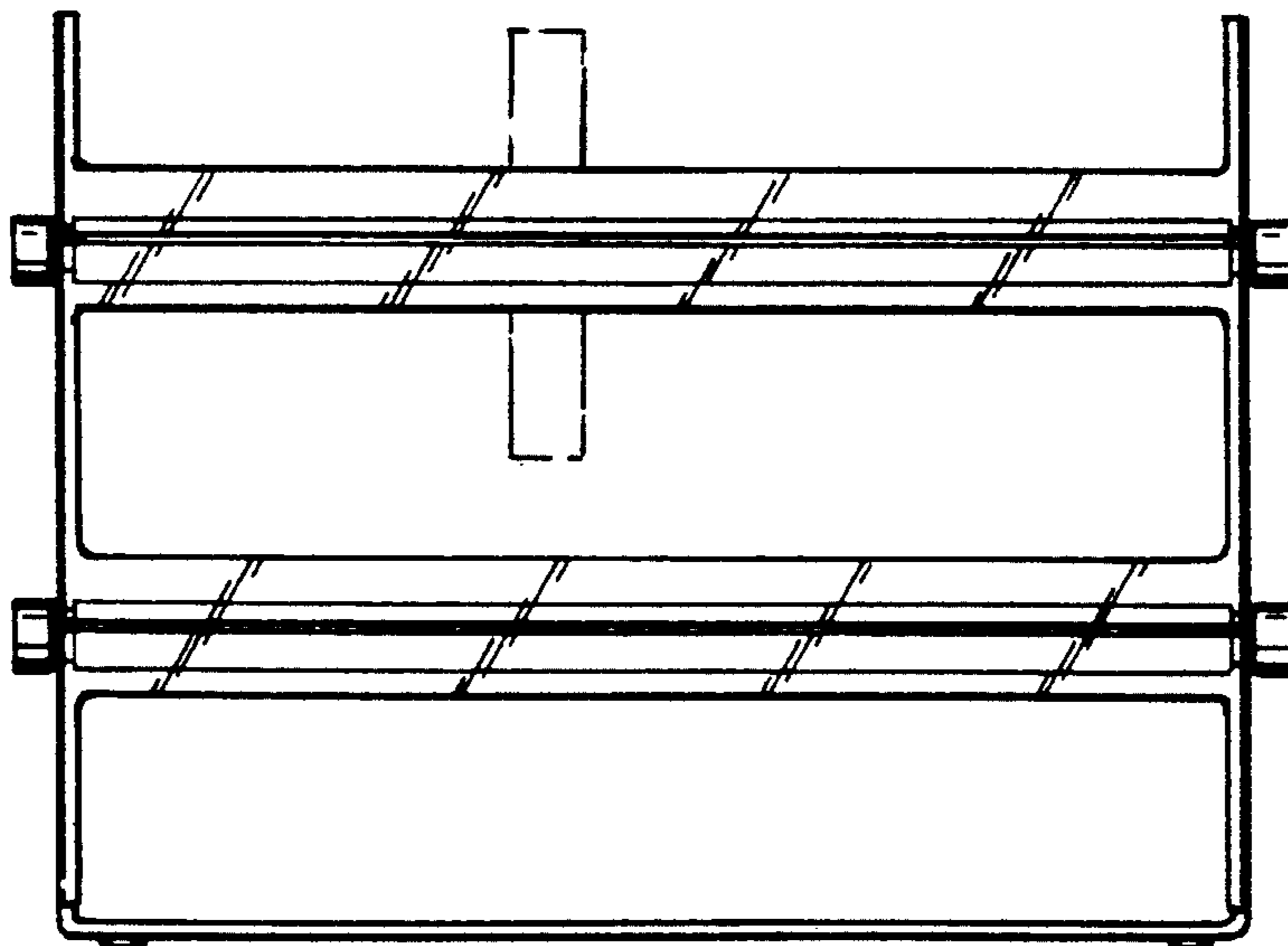


FIG. 2

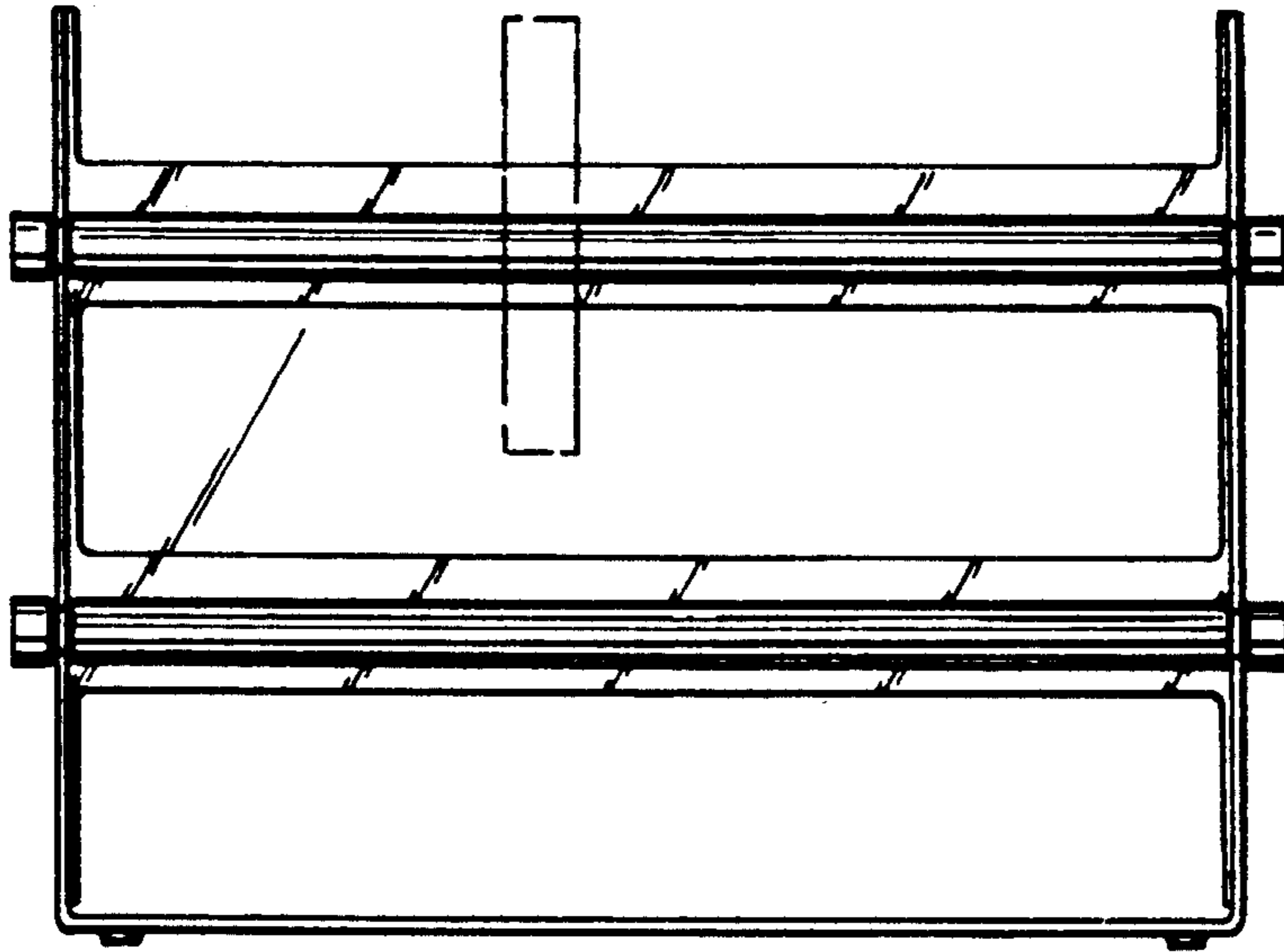


FIG. 3

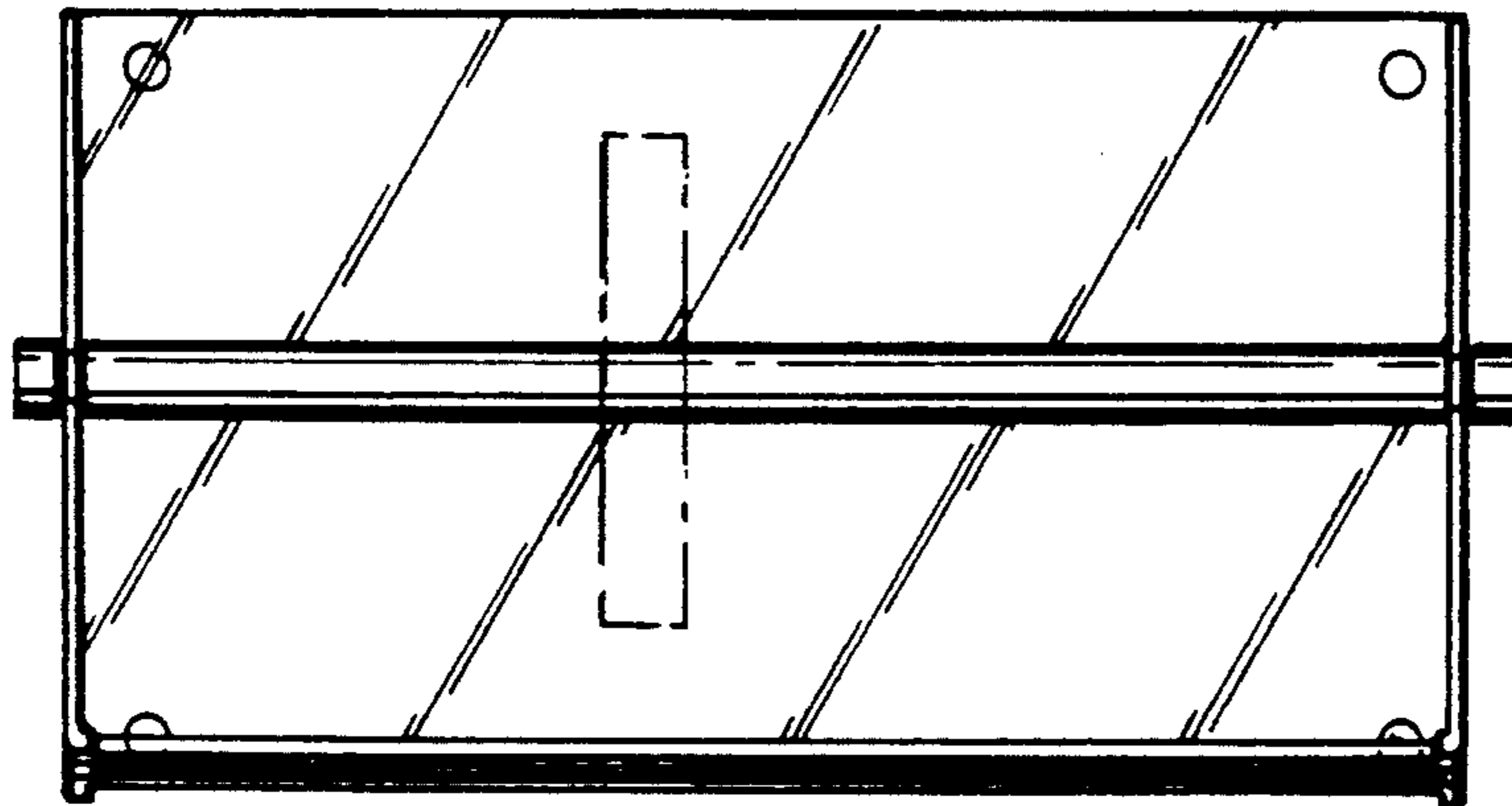


FIG. 4

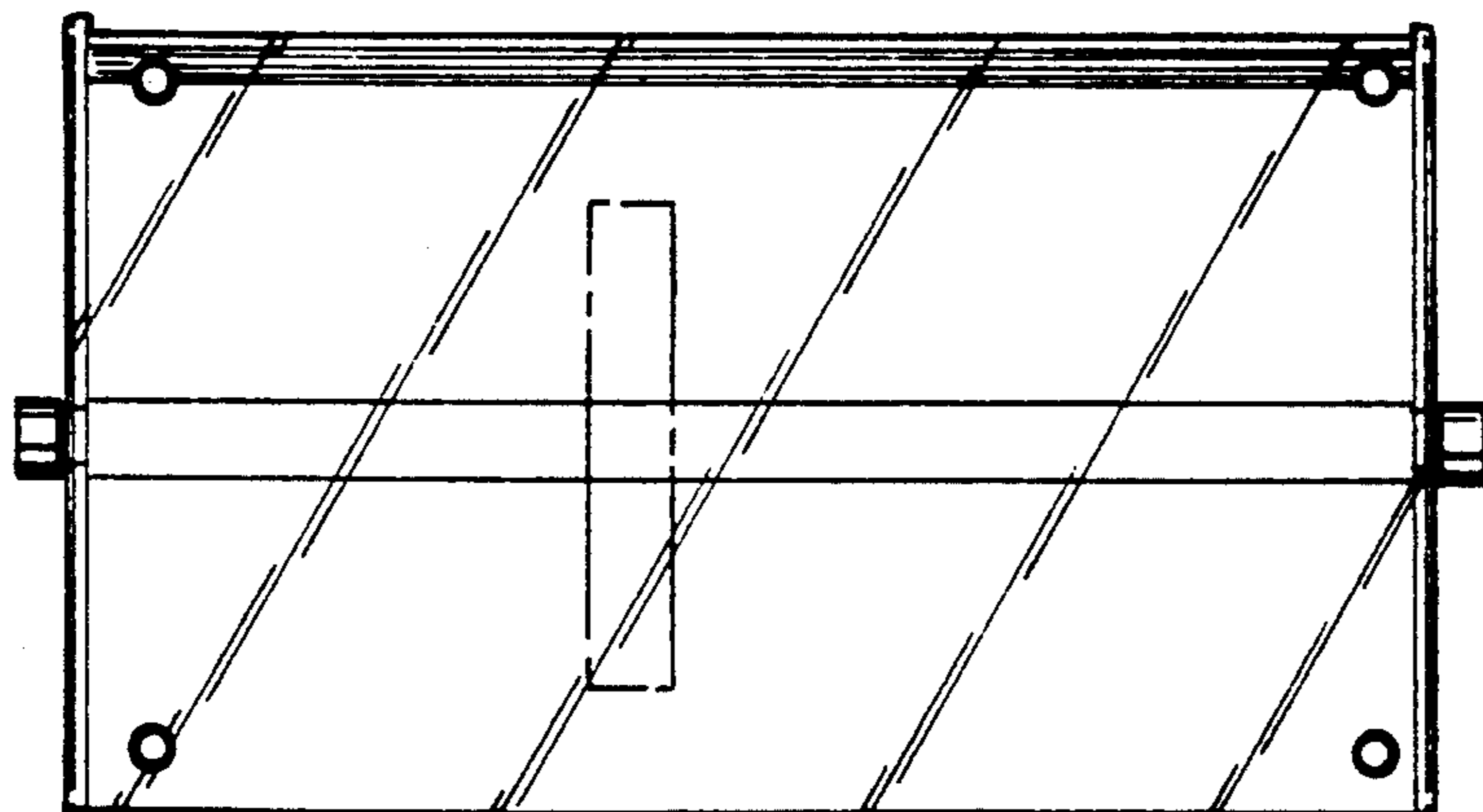


FIG. 5

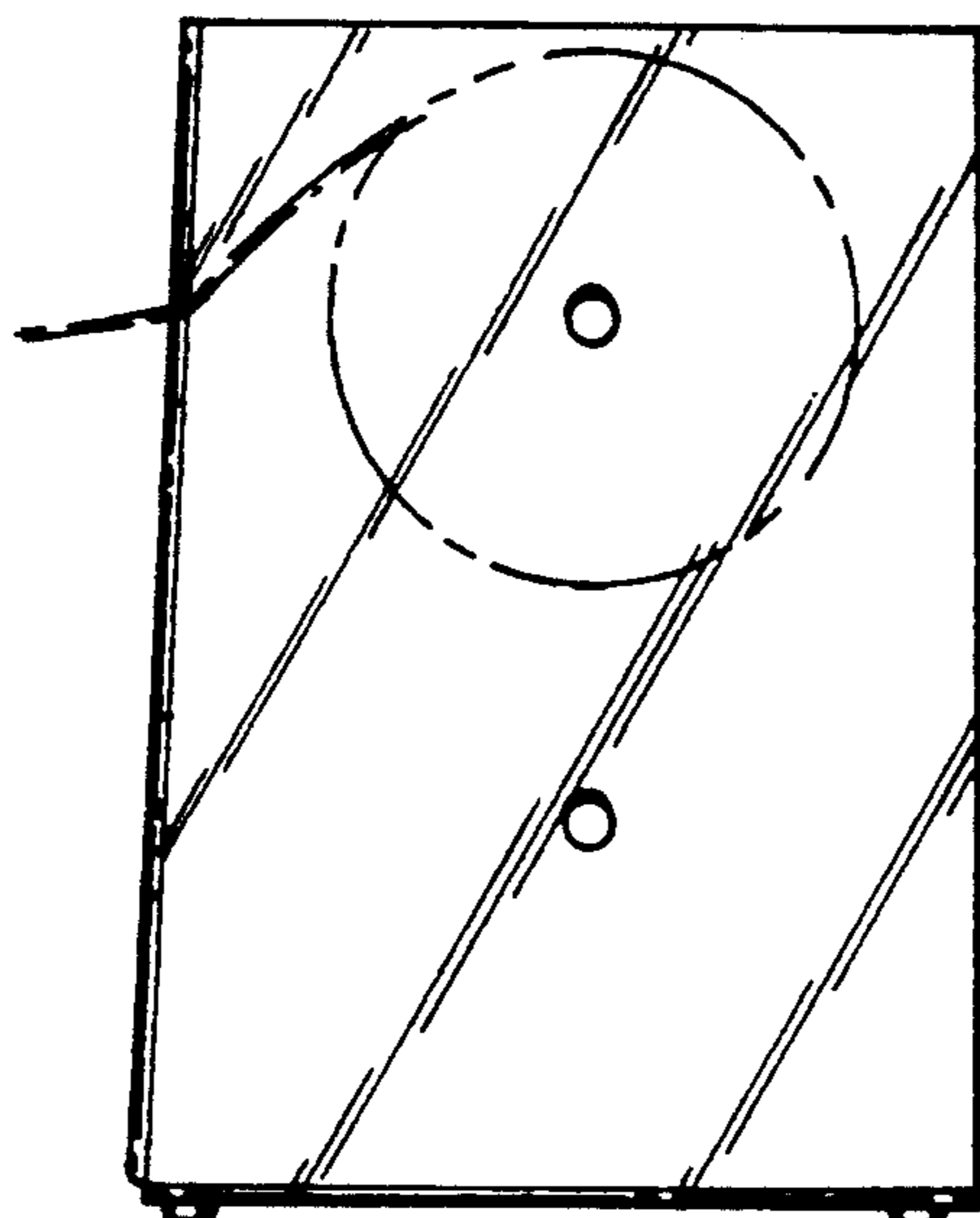


FIG. 6

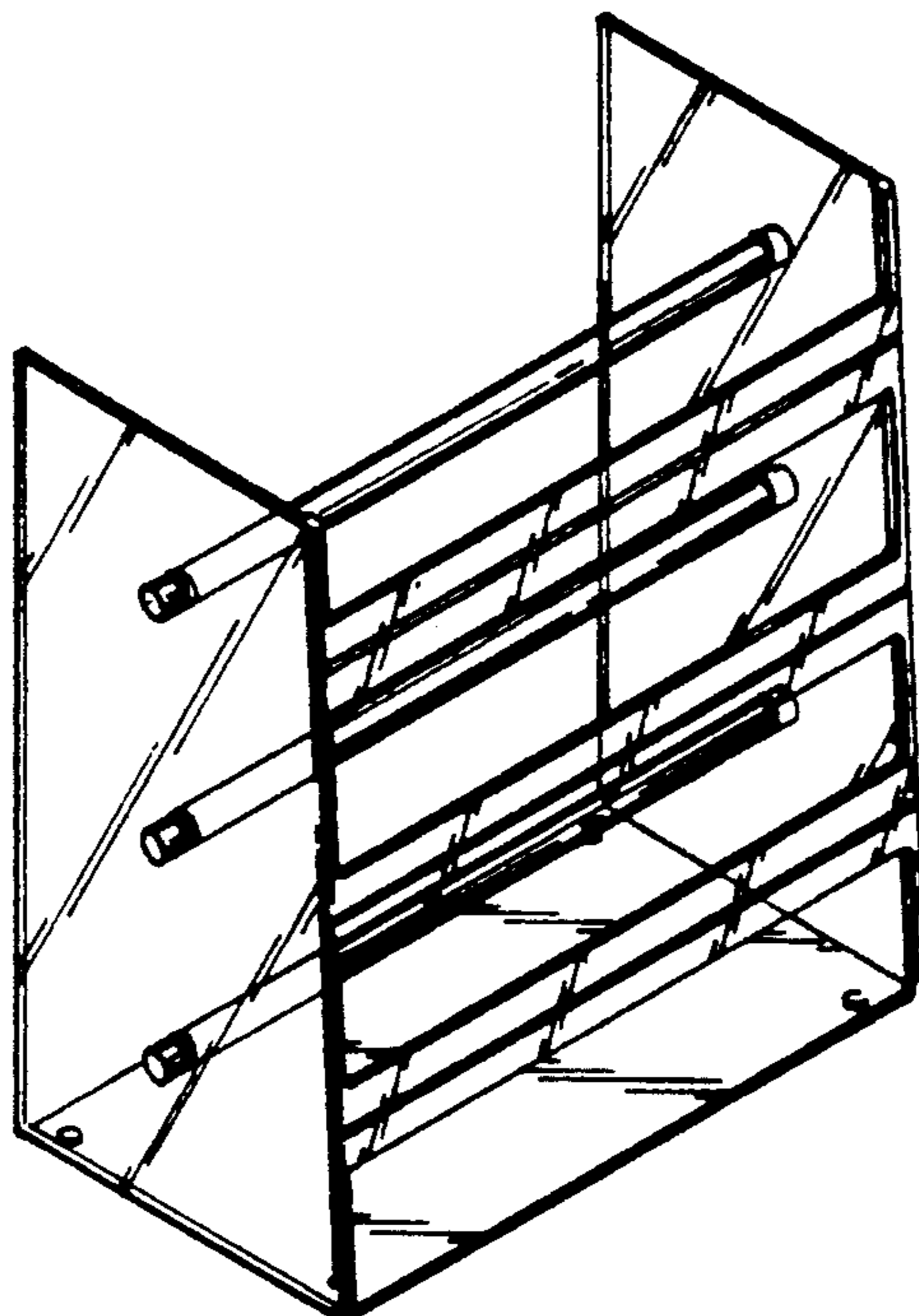


FIG. 7

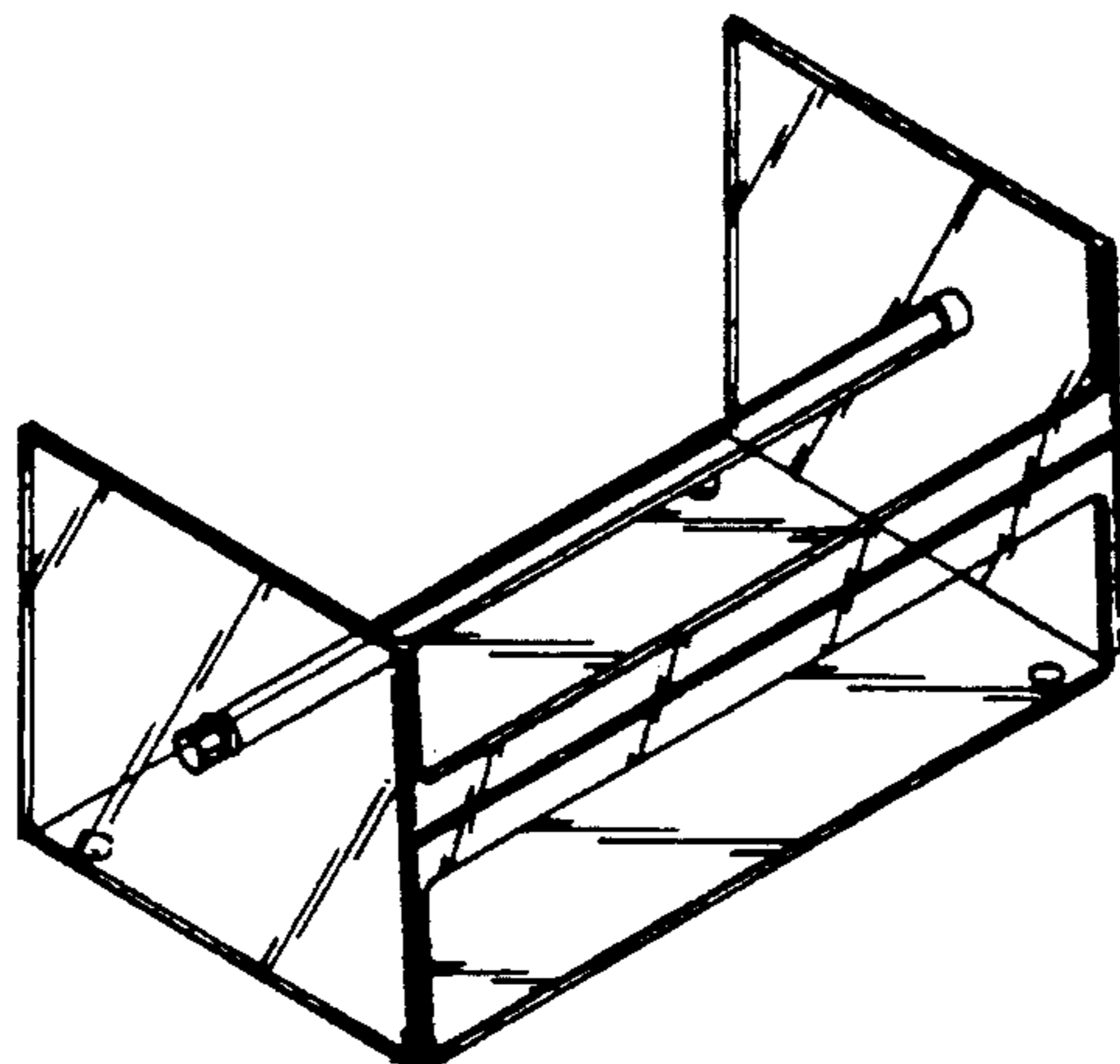


FIG. 8