



US00D341967S

United States Patent [19]

Cohn

[11] Patent Number: **Des. 341,967**

[45] Date of Patent: **** Dec. 7, 1993**

[54] **UTILITY SHELF**

[75] Inventor: **Robert J. Cohn, Dallas, Pa.**

[73] Assignee: **Metro Industries, Inc., Reno, Nev.**

[**] Term: **14 Years**

[21] Appl. No.: **486,187**

[22] Filed: **Feb. 28, 1990**

[52] U.S. Cl. **D6/511; D6/510**

[58] Field of Search **D6/553, 511, 566, 582, D6/567, 555, 574, 462-465, 494, 509, 510; D7/546, 550; 211/150, 153**

2,950,541	8/1960	Dement	211/150 X
3,523,508	8/1970	Maslow	D6/511 X
4,231,301	11/1980	Barrineau, III	211/153 X
4,776,472	10/1988	Rosen	211/150

Primary Examiner—Nelson C. Holtje
Assistant Examiner—Martha Thompson
Attorney, Agent, or Firm—Fitzpatrick, Cella, Harper & Scinto

[57] CLAIM

The ornamental design for a utility shelf, as shown and described.

DESCRIPTION

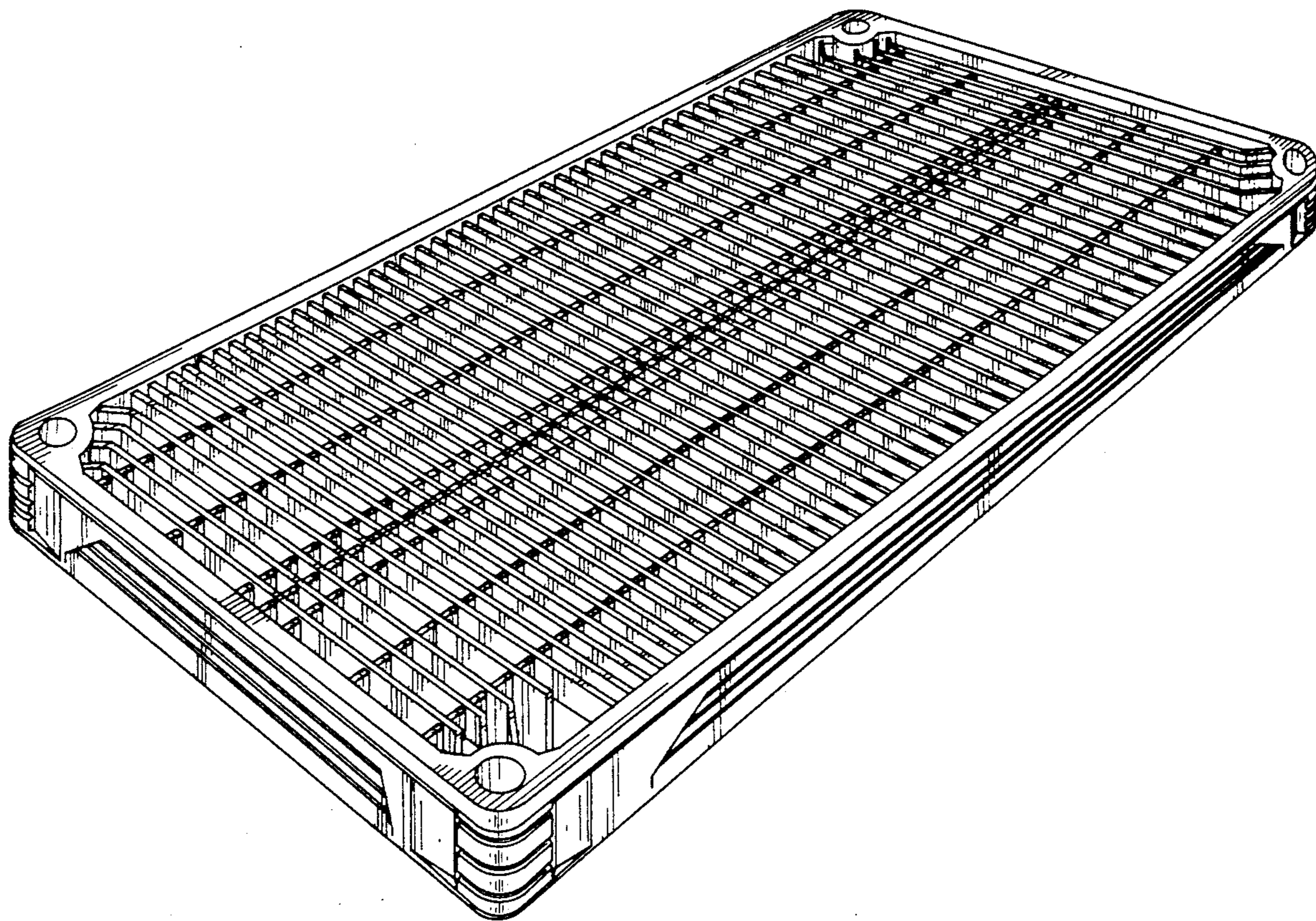
FIG. 1 is a top plan view of the utility shelf, showing my new design;
FIG. 2 is a side elevational view, the opposite side being identical thereto;
FIG. 3 is an end elevational view, the opposite end being identical thereto;
FIG. 4 is a bottom plan view thereof;
FIG. 5 is a top perspective view; and,
FIG. 6 is a bottom perspective thereof.

[56]

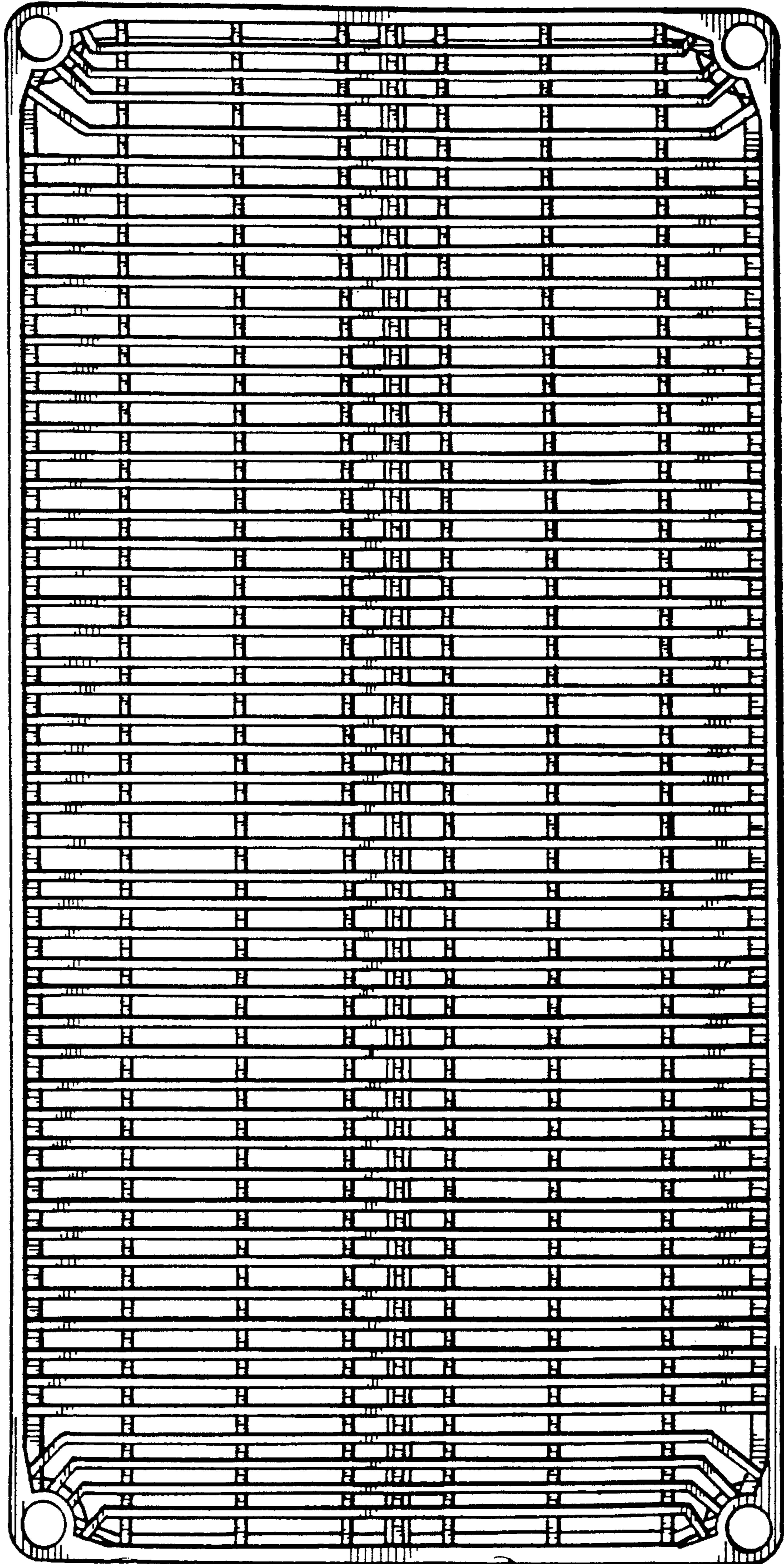
References Cited

U.S. PATENT DOCUMENTS

D. 241,297	9/1976	Maslow	D6/511
D. 289,479	4/1987	Brancher	D6/511
D. 312,545	12/1990	Cohn	D6/511
1,828,435	10/1931	Otte	211/153 X
2,033,860	3/1936	Otte	211/153 X
2,080,907	5/1937	Buchanan	211/153 X



F I G. 1



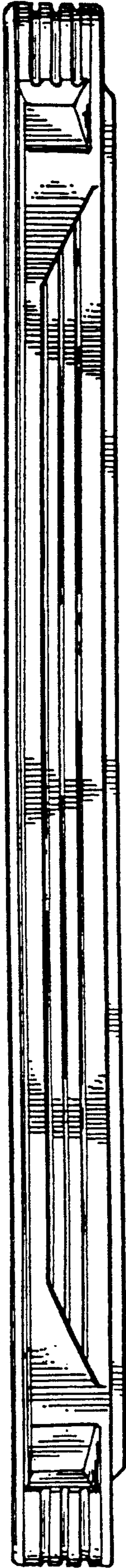
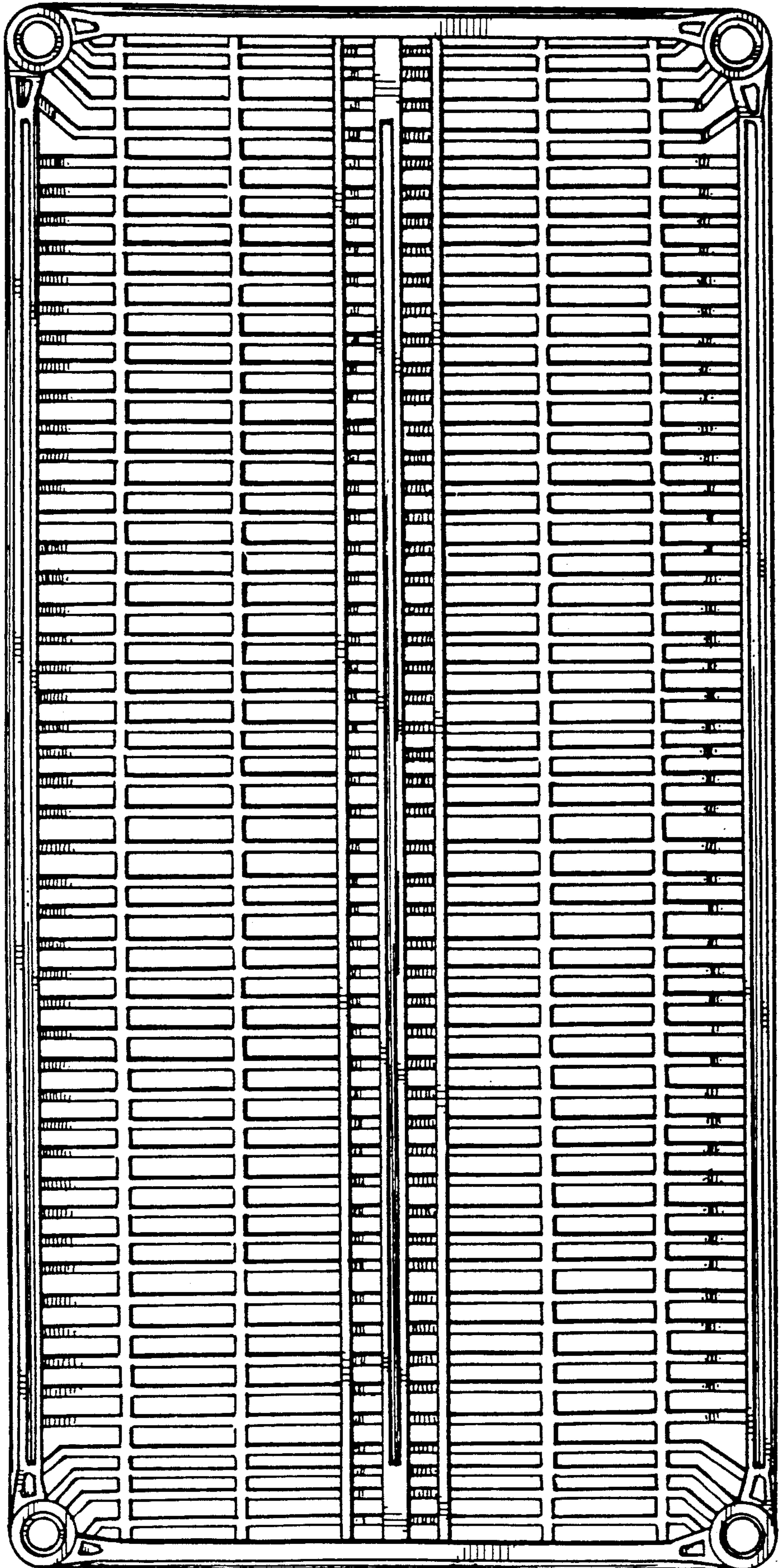


FIG. 2



FIG. 3

F I G. 4



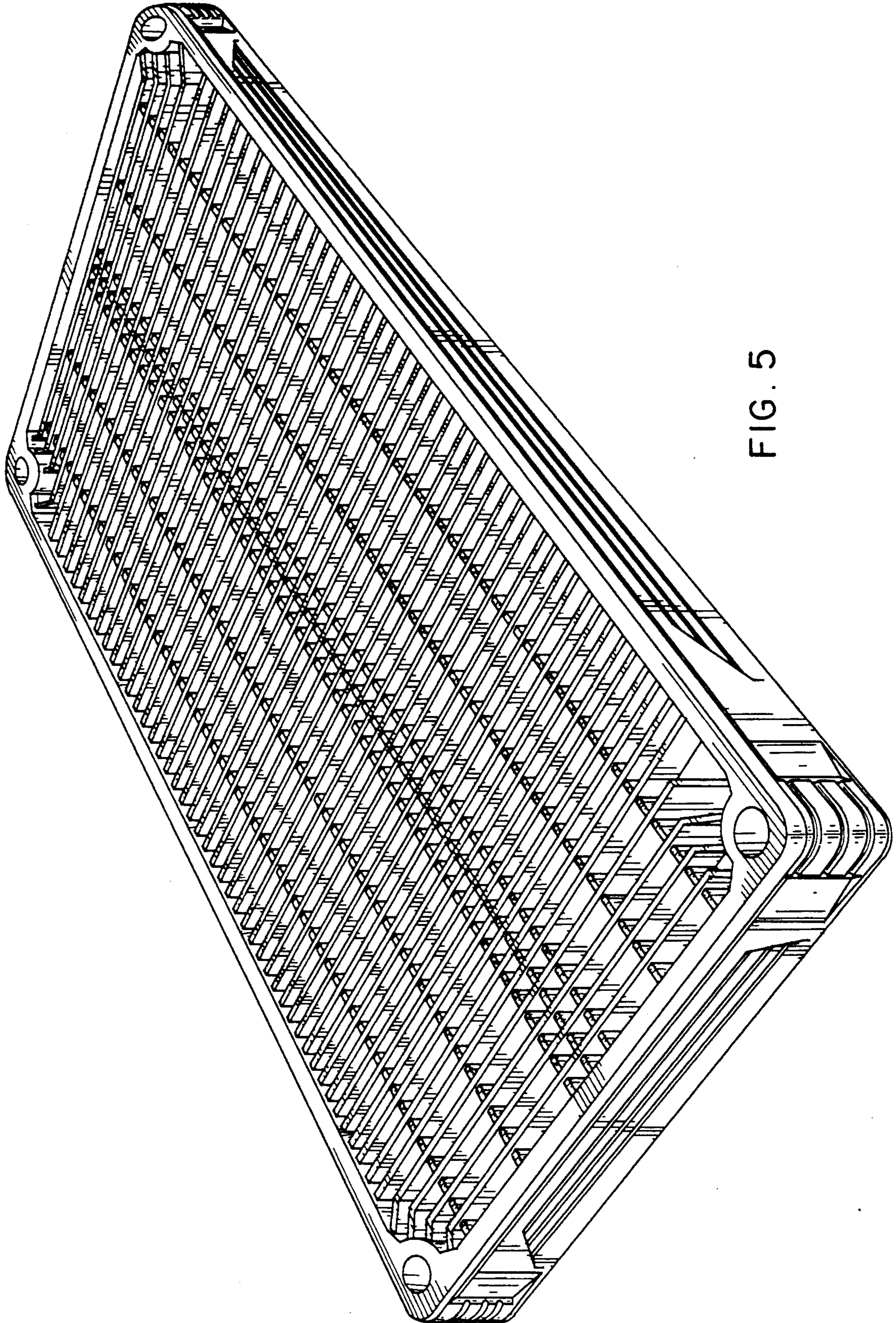


FIG. 5

FIG. 6

