



US00D341964S

United States Patent [19]
Sorrentino

[11] **Patent Number: Des. 341,964**

[45] **Date of Patent: ** Dec. 7, 1993**

[54] **CHAIR ASSEMBLY**

[75] **Inventor: Vincent P. Sorrentino, Orlando, Fla.**

[73] **Assignee: U.S. Seating Products, Inc., Orlando, Fla.**

[**] **Term: 14 Years**

[21] **Appl. No.: 824,447**

[22] **Filed: Jan. 22, 1992**

[52] **U.S. Cl. D6/500; D6/364; D6/380**

[58] **Field of Search D6/500-502, D6/334, 370, 380; 297/295, 333, 445, DIG. 2**

[56] **References Cited**

U.S. PATENT DOCUMENTS

- D. 54,375 2/1920 Burjanek D6/380
- D. 77,817 2/1929 Derby D6/380
- D. 289,949 5/1987 Tron D6/380 X
- 3,527,498 9/1970 Werner 297/445 X

OTHER PUBLICATIONS

U.S. Seating Products—Mar. 1, 1989, Front Cover Page, chair 2nd from right at bottom.

Designers Furn. Center Internat'l., 1985, p. 4 #122-612 at top left.

Woodward & Lothrop—Directions, p. 10, chair in center 10K.

Primary Examiner—Alan P. Douglas

Assistant Examiner—J. E. Seeger

Attorney, Agent, or Firm—Steven C. Stewart

[57] **CLAIM**

The ornamental design for a chair assembly, as shown and described.

DESCRIPTION

FIG. 1 is a perspective view of a chair assembly, showing my new design;

FIG. 2 is a front elevational view;

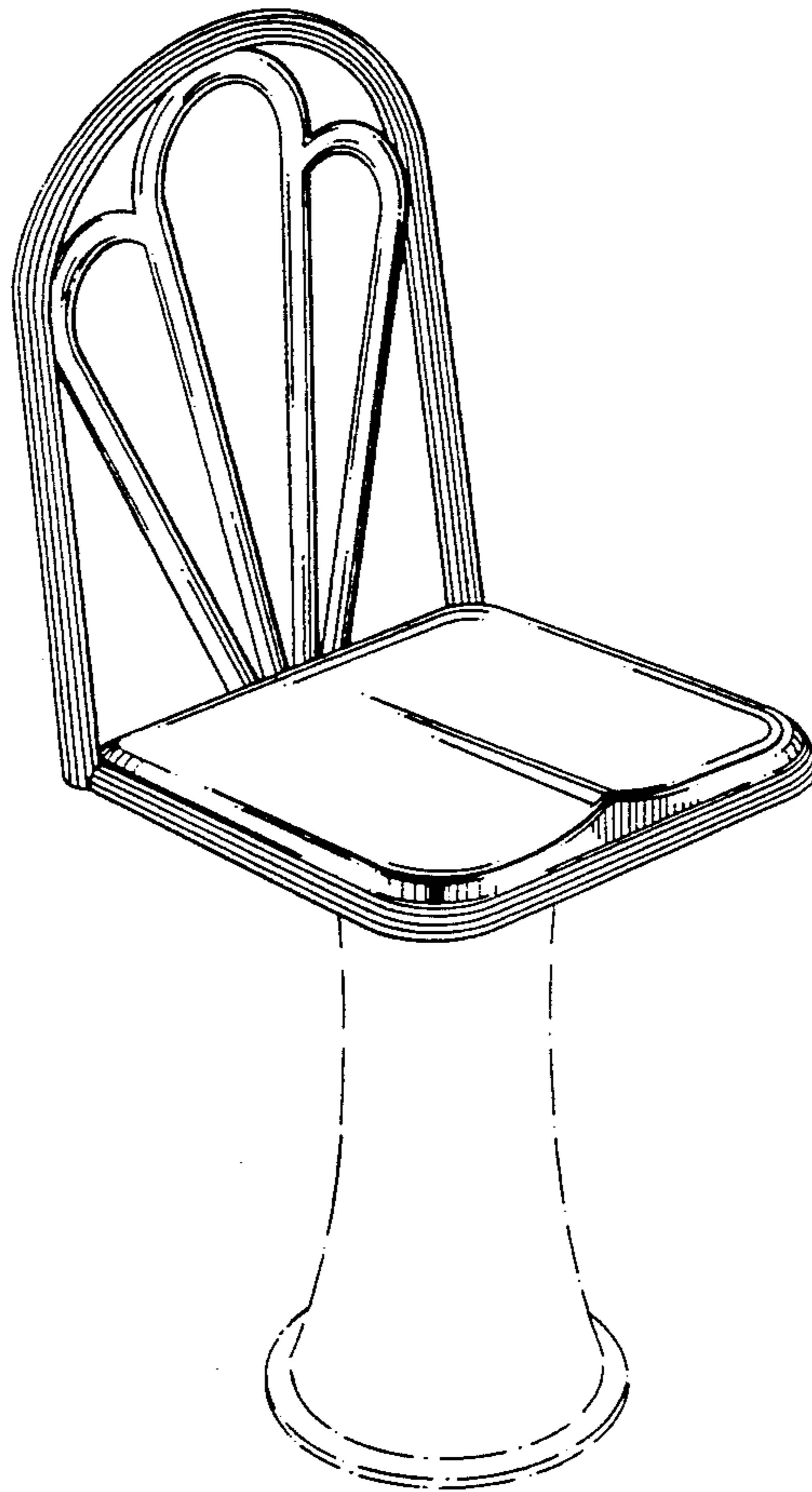
FIG. 3 is rear elevational view;

FIG. 4 is a side elevational view, the opposite side being a mirror image thereof;

FIG. 5 is top plan view; and,

FIG. 6 is bottom plan view.

The broken lines in FIGS. 1-4 and 6 are for environmental purposes only and form no part of the claimed design.



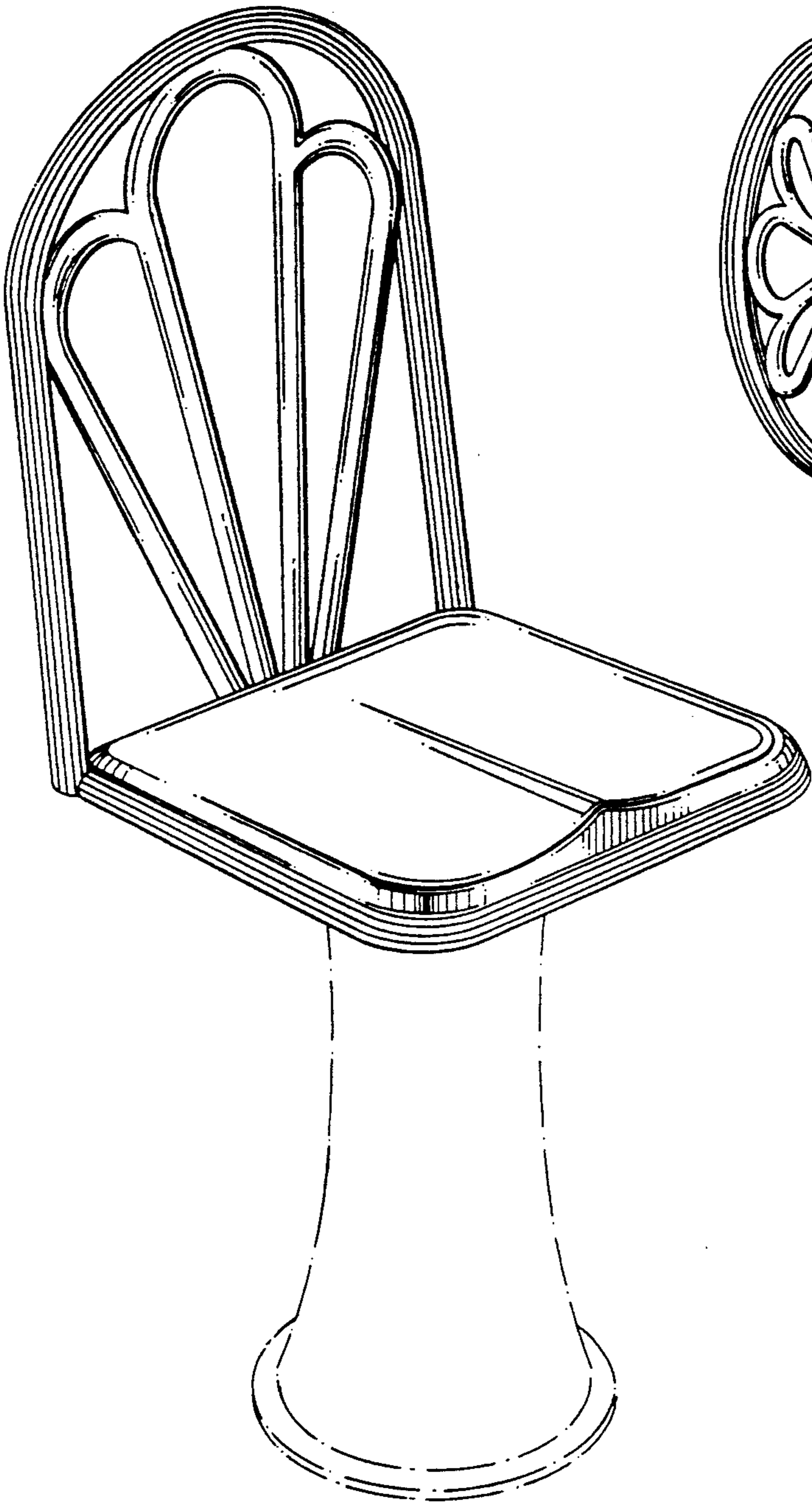


FIG. 1

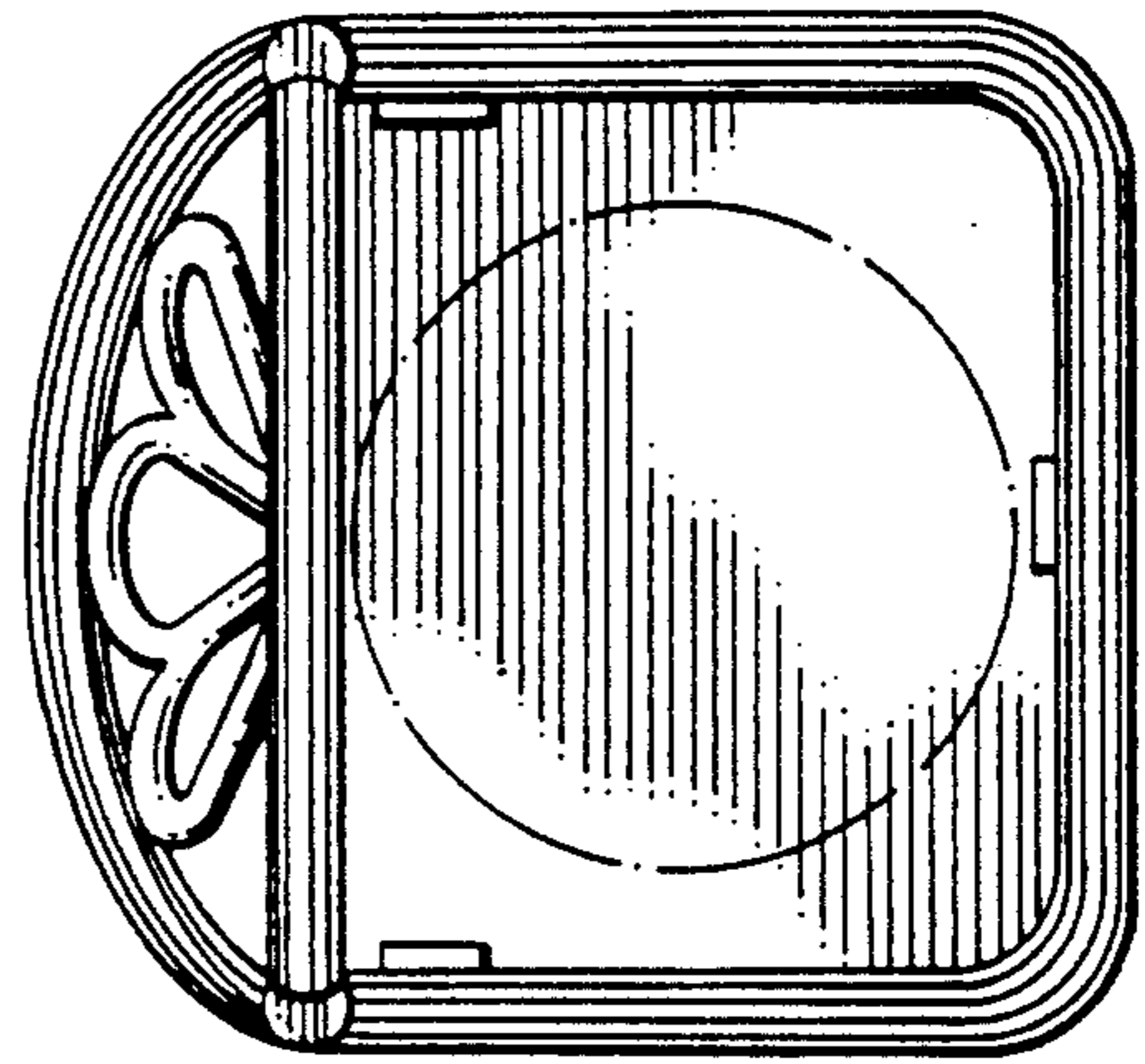


FIG. 6

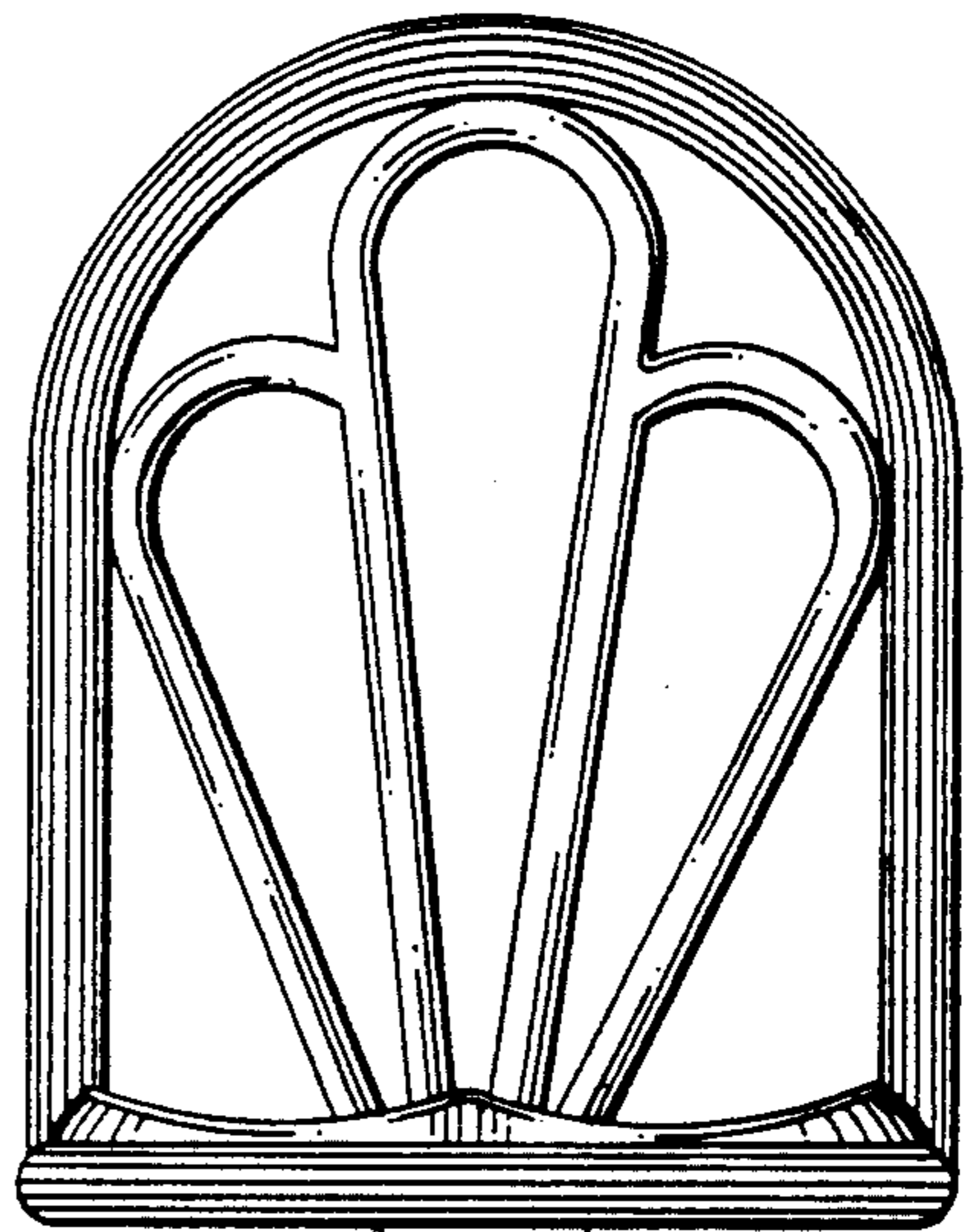
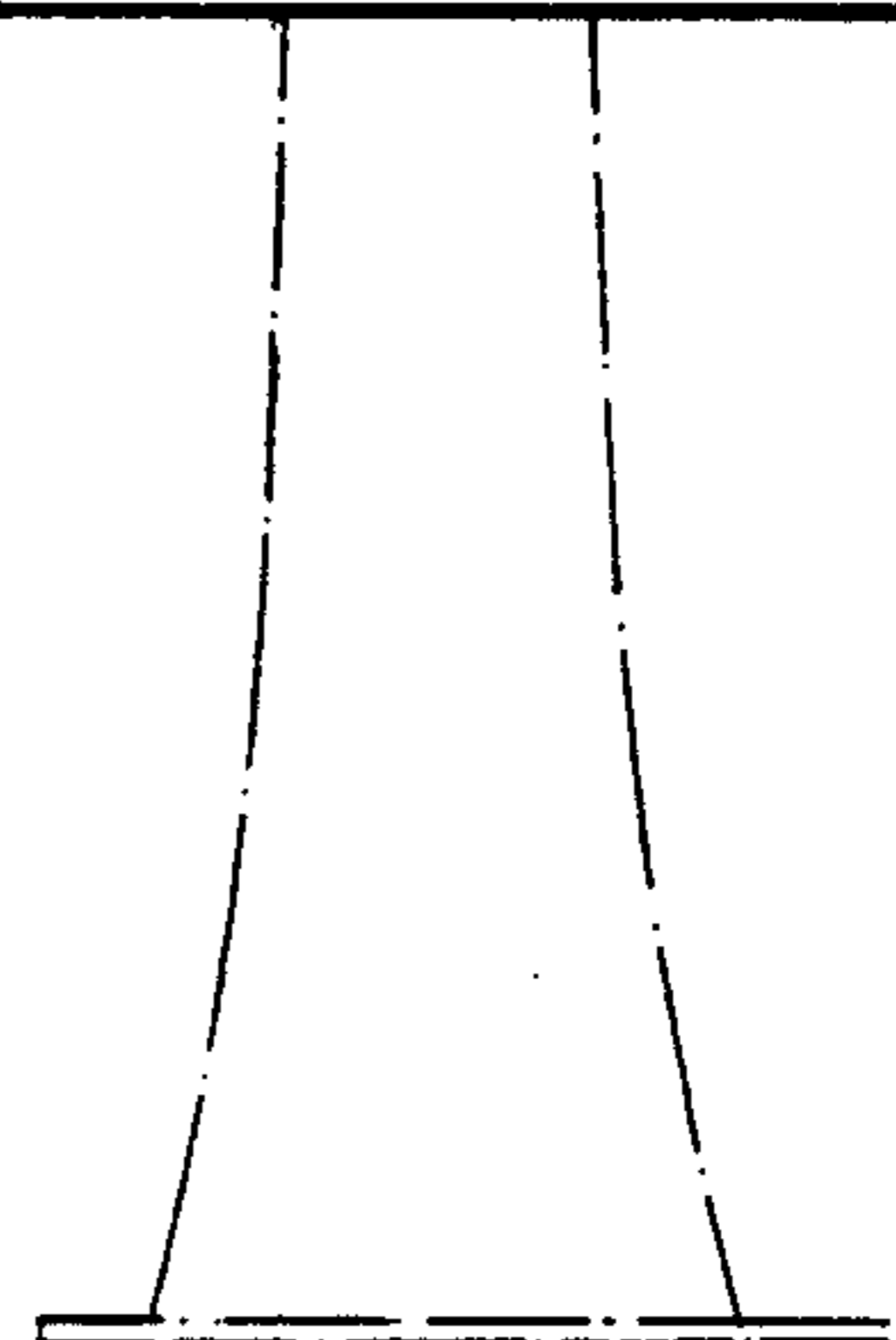


FIG. 2



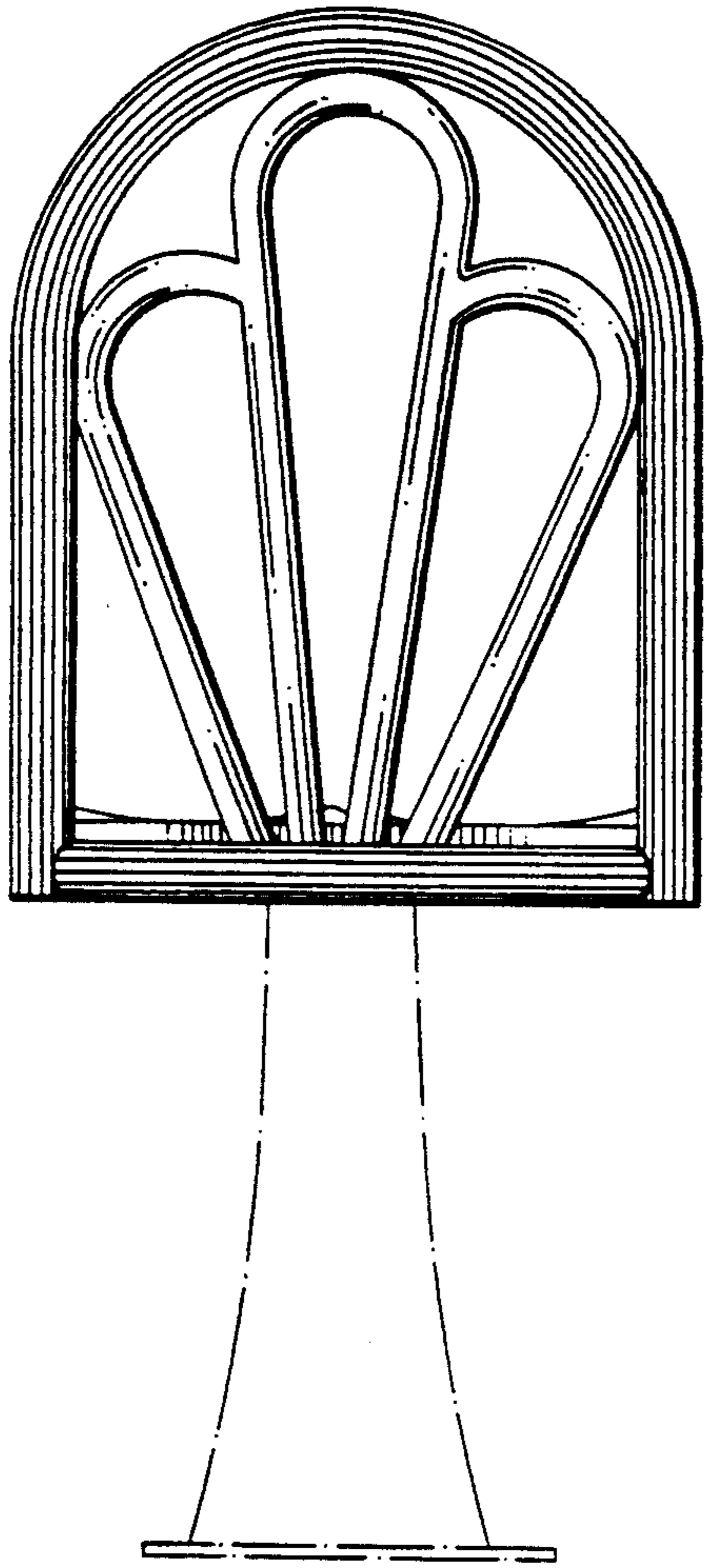


FIG. 3

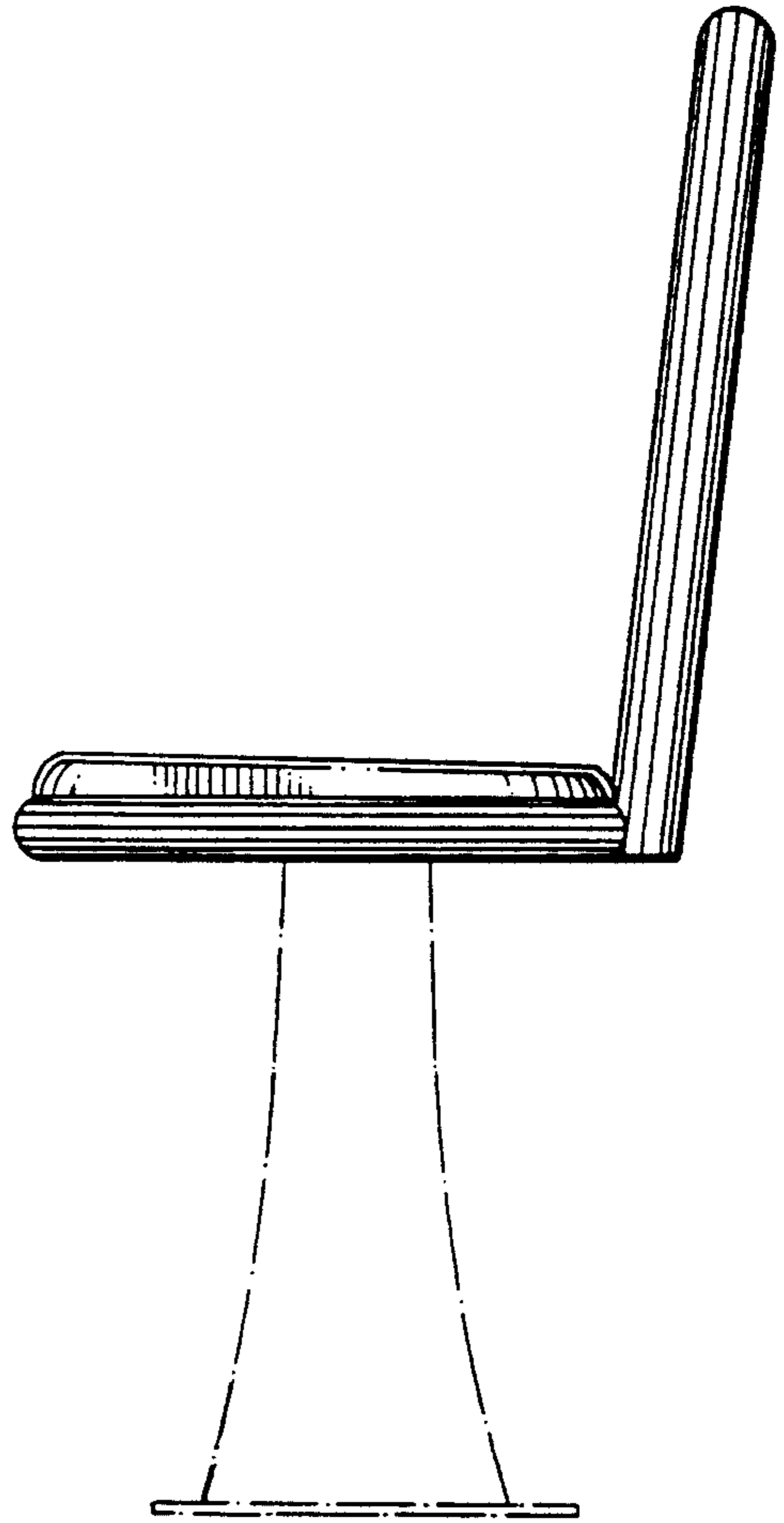


FIG. 4

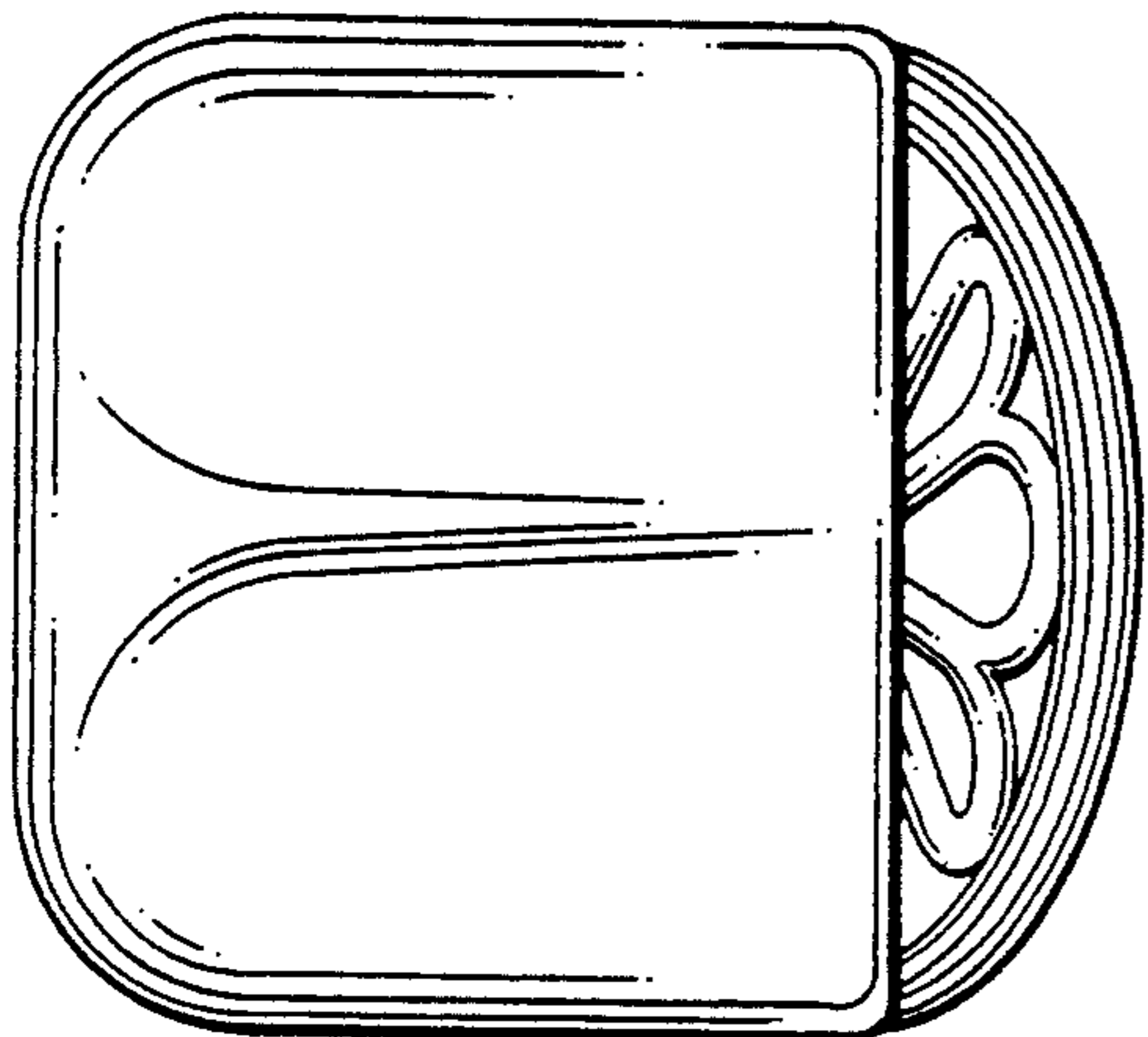


FIG. 5