



US00D341963S

United States Patent [19]

Weider

[11] Patent Number: **Des. 341,963**

[45] Date of Patent: **** Dec. 7, 1993**

[54] TUB SEAT RACK

[76] Inventor: **Alfred R. Weider**, 1150 E. Beech Rd., Alliance, Ohio 44601

[**] Term: **14 Years**

[21] Appl. No.: **574,948**

[22] Filed: **Aug. 30, 1990**

[52] U.S. Cl. **D6/500**

[58] Field of Search **D6/499, 501, 502, 500, D6/509, 511, 524, 349; 4/559; 211/134, 153; D32/57**

2,564,473	8/1951	Ferguson	211/134 X
2,758,455	8/1956	Anderson	211/134 X
3,556,308	1/1971	McAleenan	211/134
4,318,487	3/1982	McCarthy	211/134

Primary Examiner—Carmen H. Vales-Lado
Attorney, Agent, or Firm—S. Michael Bender

[57] CLAIM

The ornamental design for a tub seat rack, as shown and described.

DESCRIPTION

FIG. 1 is a front elevational view of the tub seat rack showing my new design;
 FIG. 2 is a rear elevational view thereof;
 FIG. 3 is a left side elevational view thereof;
 FIG. 4 is a right side elevational view thereof;
 FIG. 5 is a top plan view thereof;
 FIG. 6 is a bottom plan view thereof; and,
 FIG. 7 is a perspective view thereof.

[56] References Cited

U.S. PATENT DOCUMENTS

D. 272,969	3/1984	Sussman	D6/524 X
D. 273,643	5/1984	Sanker et al.	D6/503
D. 278,580	4/1985	Collins	D6/349
D. 286,117	10/1986	Wellington	D6/500

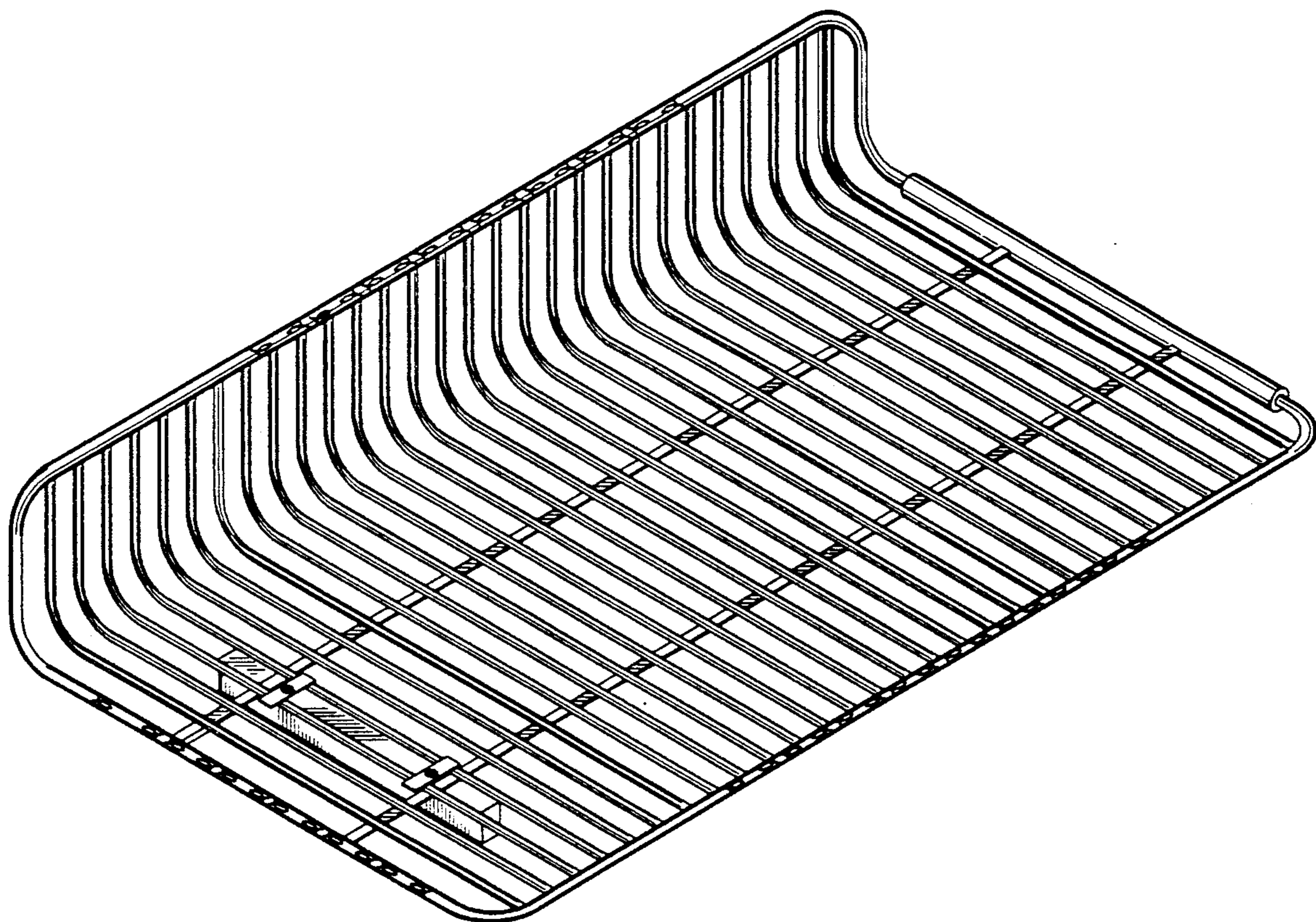


FIG. 1

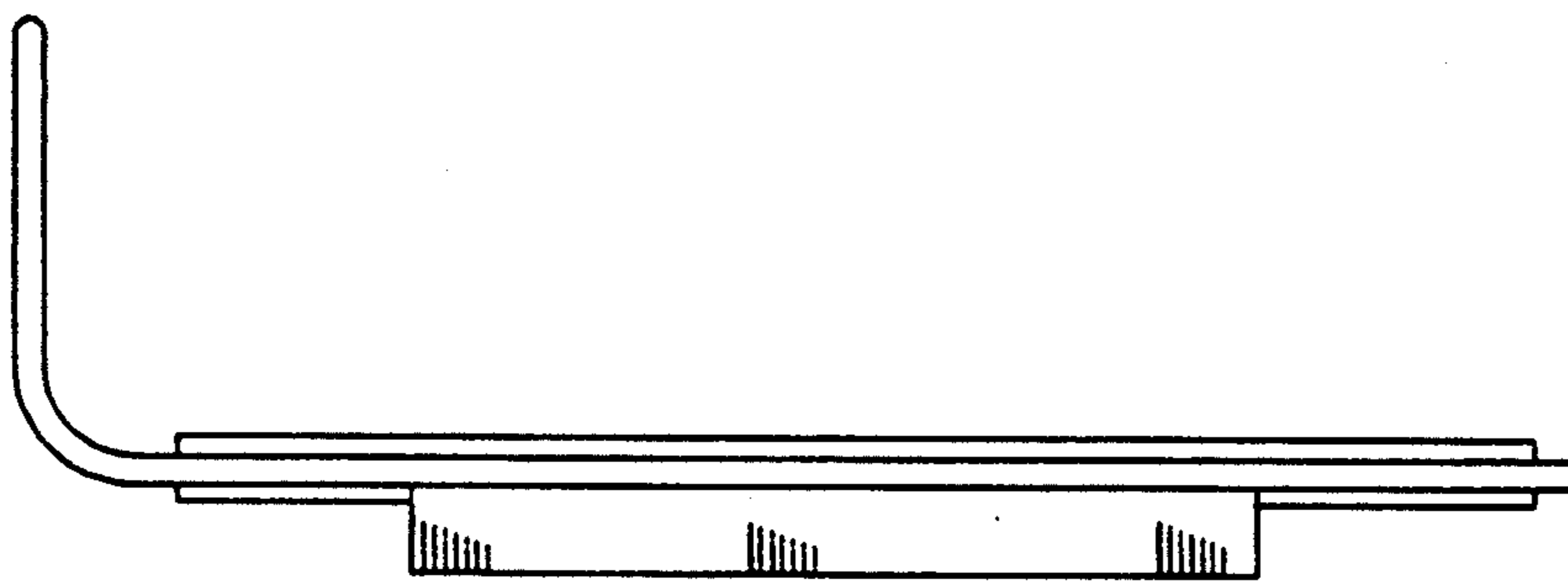


FIG. 2

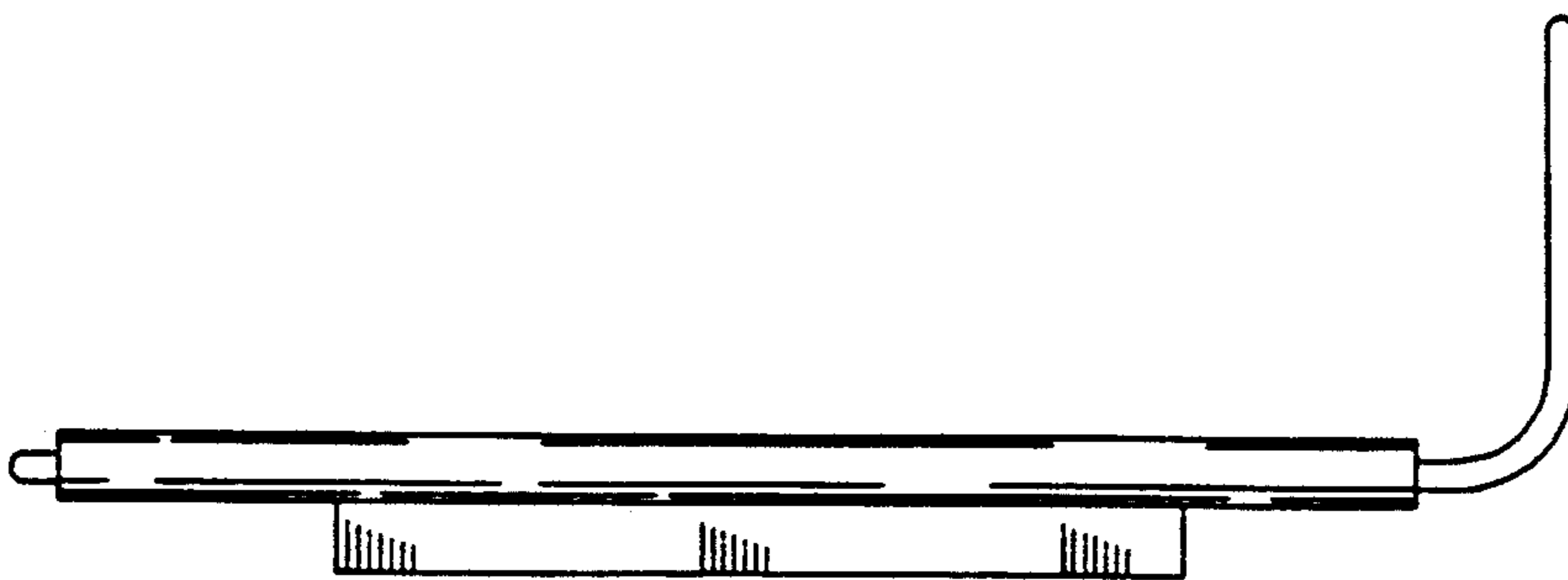


FIG. 3

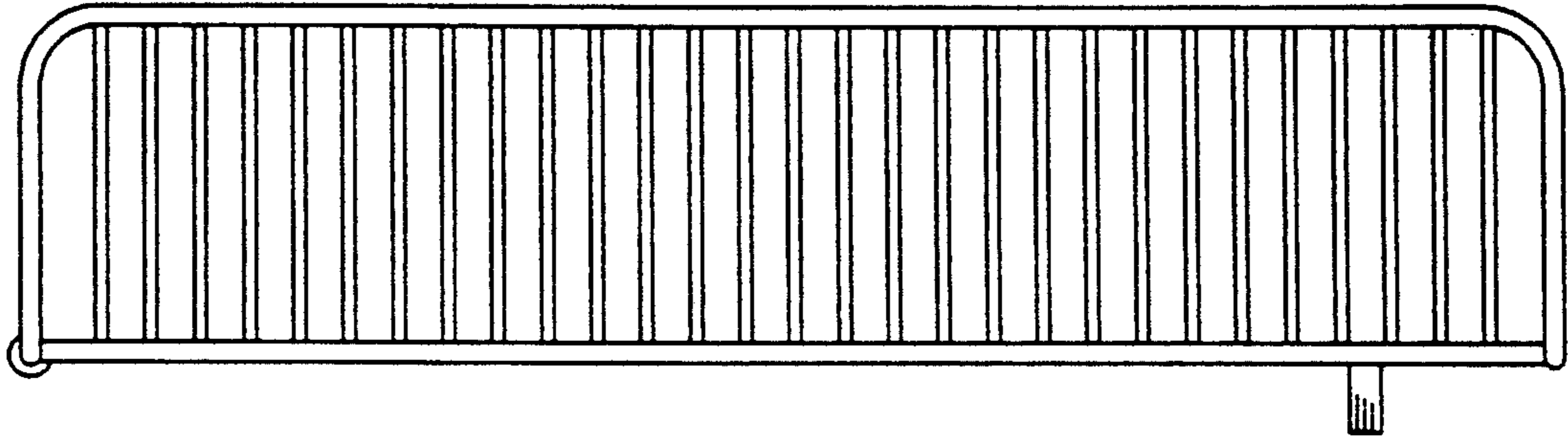


FIG. 4

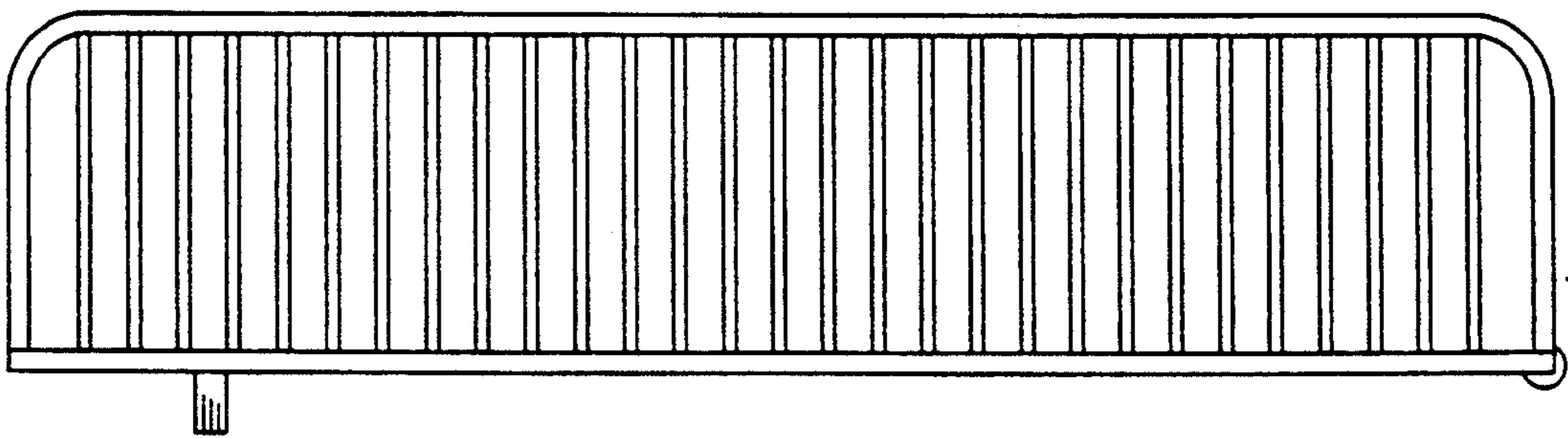


FIG. 6

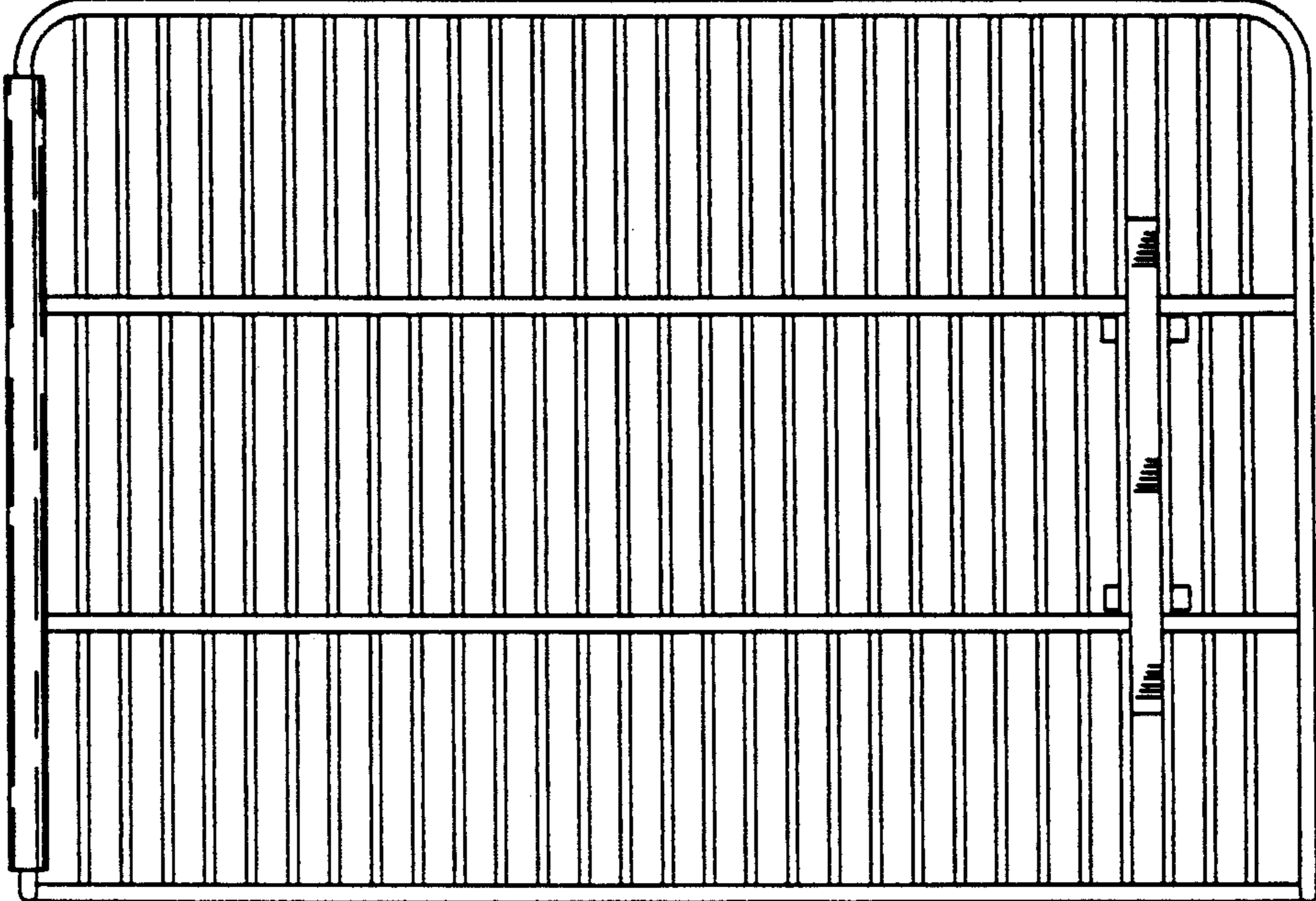
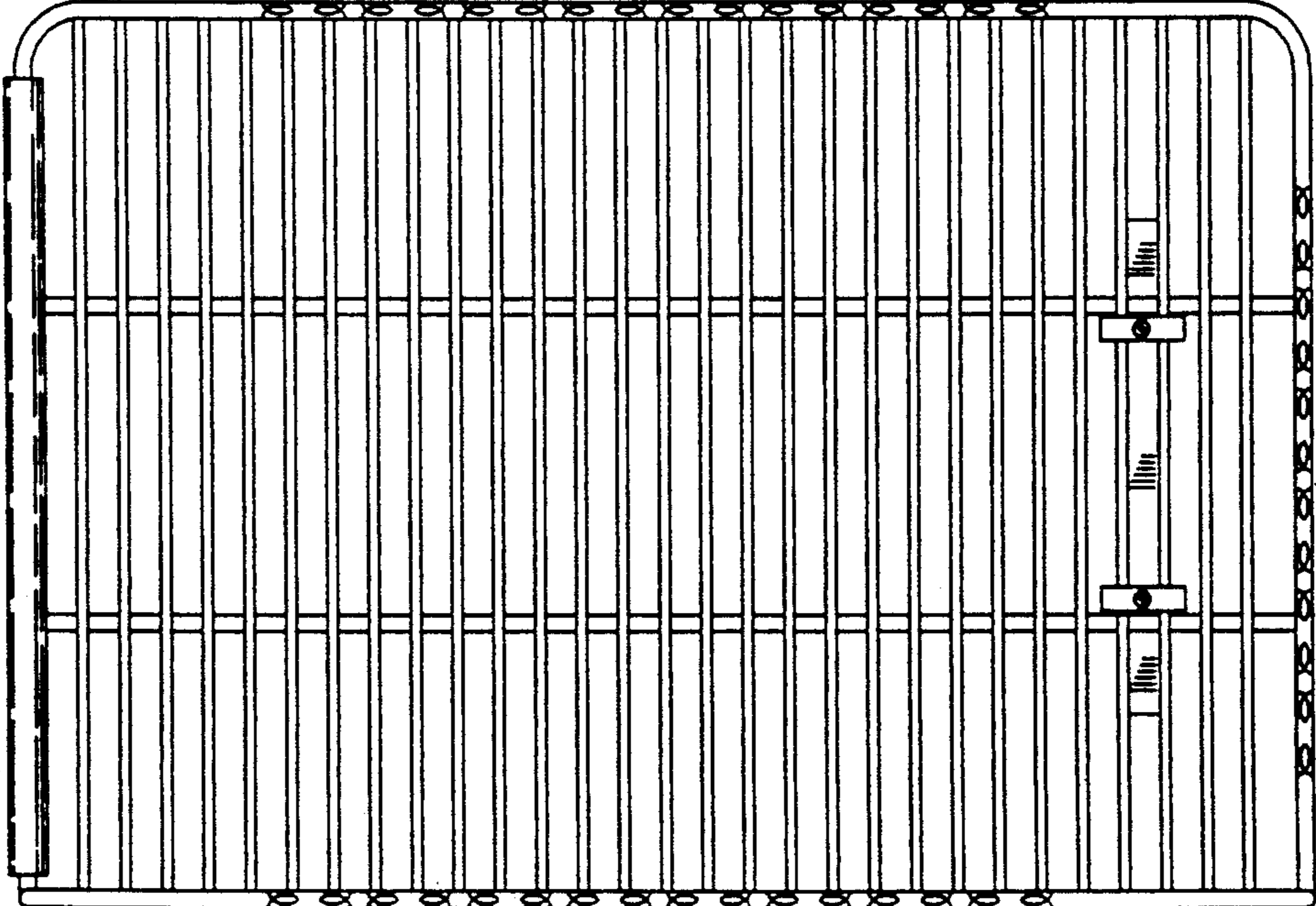


FIG. 5



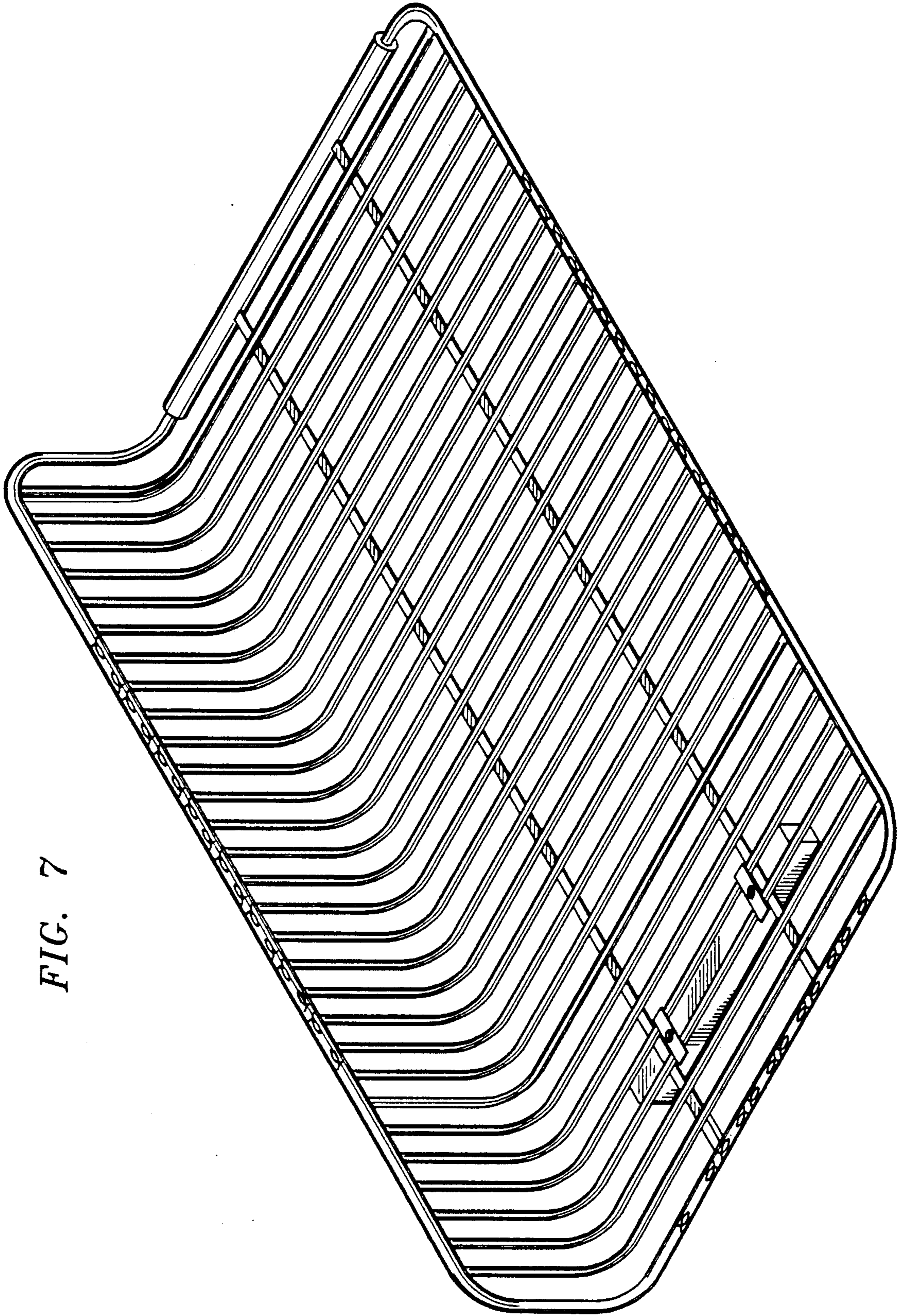


FIG. 7