



US00D341961S

# United States Patent [19]

[11] Patent Number: **Des. 341,961**

Howden

[45] Date of Patent: **\*\* Dec. 7, 1993**

[54] **MOBILE ELECTRONICS CABINET**

[76] Inventor: **Glenn L. Howden, 424 E. 14th, The Dalles, Oreg. 97058**

[\*\*] Term: **14 Years**

[21] Appl. No.: **697,299**

[22] Filed: **May 7, 1991**

[52] U.S. Cl. .... **D6/448; D14/102**

[58] Field of Search ..... **D6/432-448; D34/19, 20, 21; D14/102, 103; 312/293; 361/330, 331, 334; 369/132, 176, 178**

D. 328,824 8/1992 Bellini et al. .... D6/445  
D. 329,251 9/1992 Olswold et al. .... D6/436 X  
4,319,794 3/1982 Bachor ..... 312/293

### OTHER PUBLICATIONS

Medi-Mech 6400 Brochure, one page, 1990.  
Medi-Mech 5000 Brochure, 4 pages, 1986.  
Medi-Mech 2600/2650 Brochure, 2 pages, 1987.

*Primary Examiner*—Carmen H. Vales-Lado  
*Attorney, Agent, or Firm*—Chernoff, Vilhauer, McClung & Stenzel

[56] **References Cited**

#### U.S. PATENT DOCUMENTS

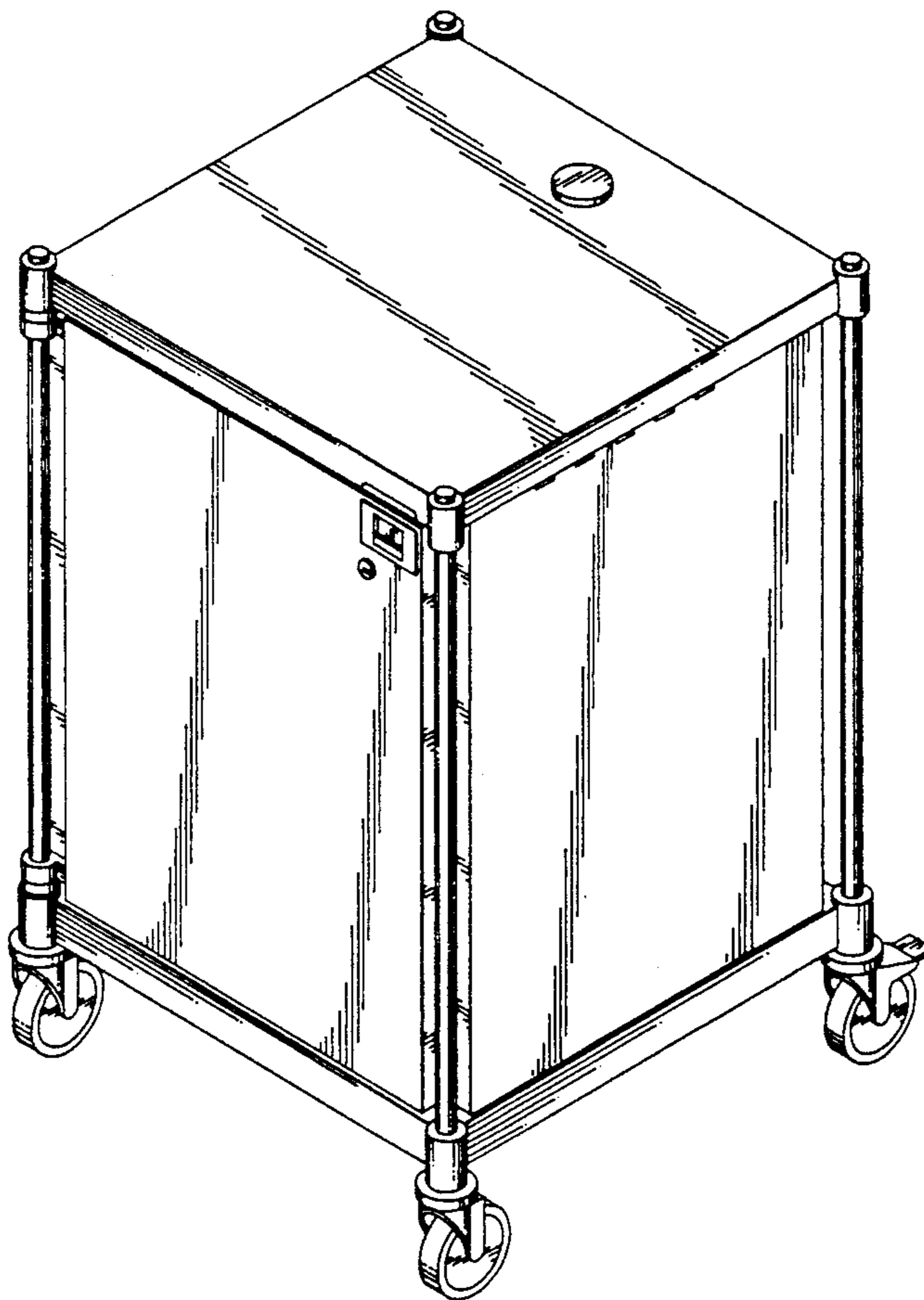
D. 24,598 8/1895 Mohring ..... D6/448  
D. 210,588 3/1968 Mazza ..... D14/102  
D. 233,511 11/1974 Condon et al. .... D34/20  
D. 242,197 11/1976 Herr et al. .... D6/448  
D. 276,947 12/1984 Dennis ..... D34/19  
D. 278,711 5/1985 Duell et al. .... D14/102  
D. 278,957 5/1985 Flötotto ..... D6/432  
D. 298,893 12/1988 Schwartz .  
D. 303,191 9/1989 Schwartz .  
D. 314,189 1/1991 Horie ..... D14/102 X  
D. 326,967 6/1992 Bardelang ..... D6/436

[57] **CLAIM**

The ornamental design for a mobile electronics cabinet, as shown and described.

#### DESCRIPTION

FIG. 1 is a perspective view of a mobile electronics cabinet showing the front, side and top of my new design;  
FIG. 2 is a front elevational view thereof with the door removed;  
FIG. 3 is a right side elevational view thereof;  
FIG. 4 is a rear elevational view thereof;  
FIG. 5 is a left side elevational view thereof;  
FIG. 6 is a top plan view thereof; and,  
FIG. 7 is a bottom plan view thereof.



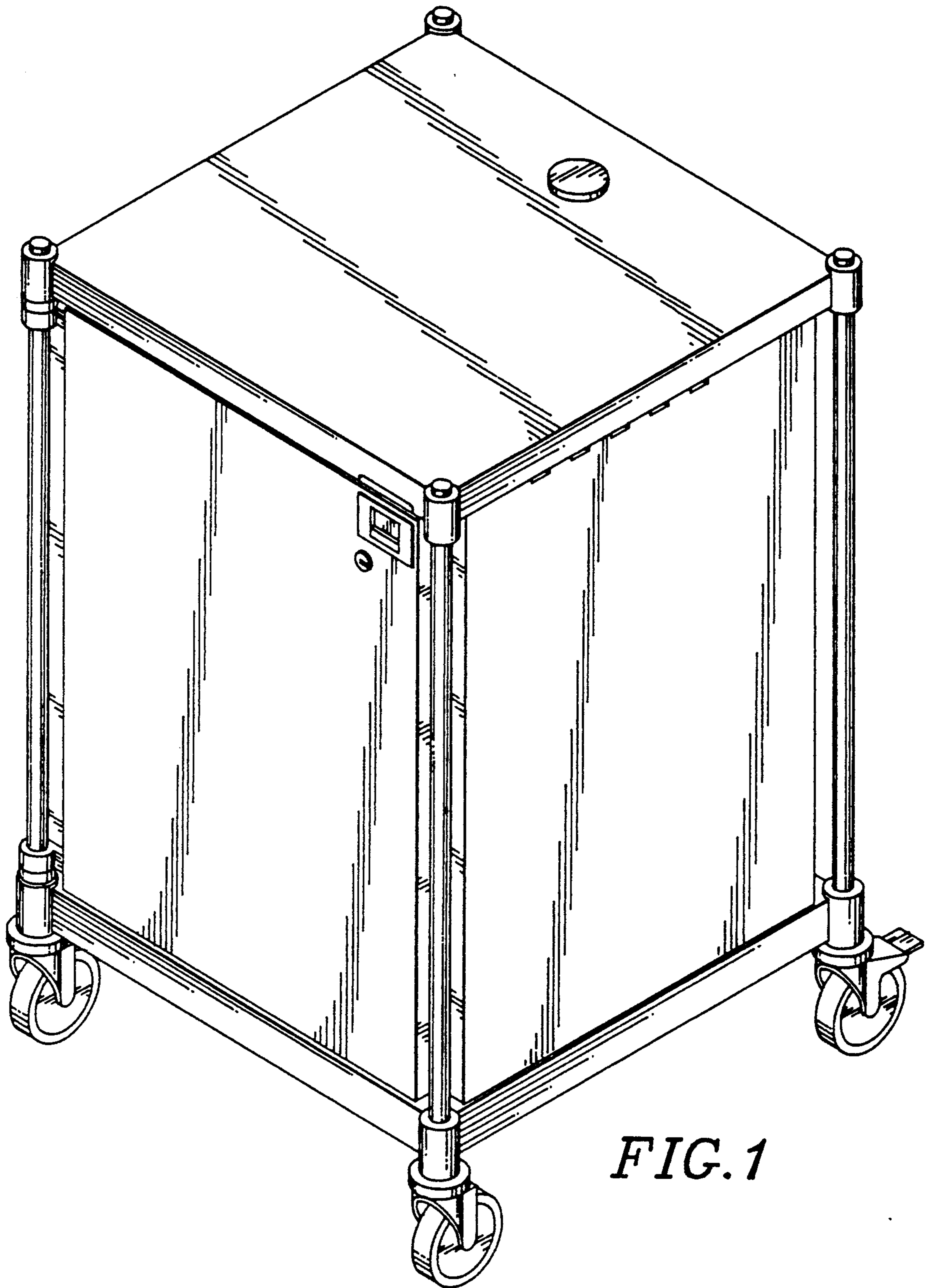
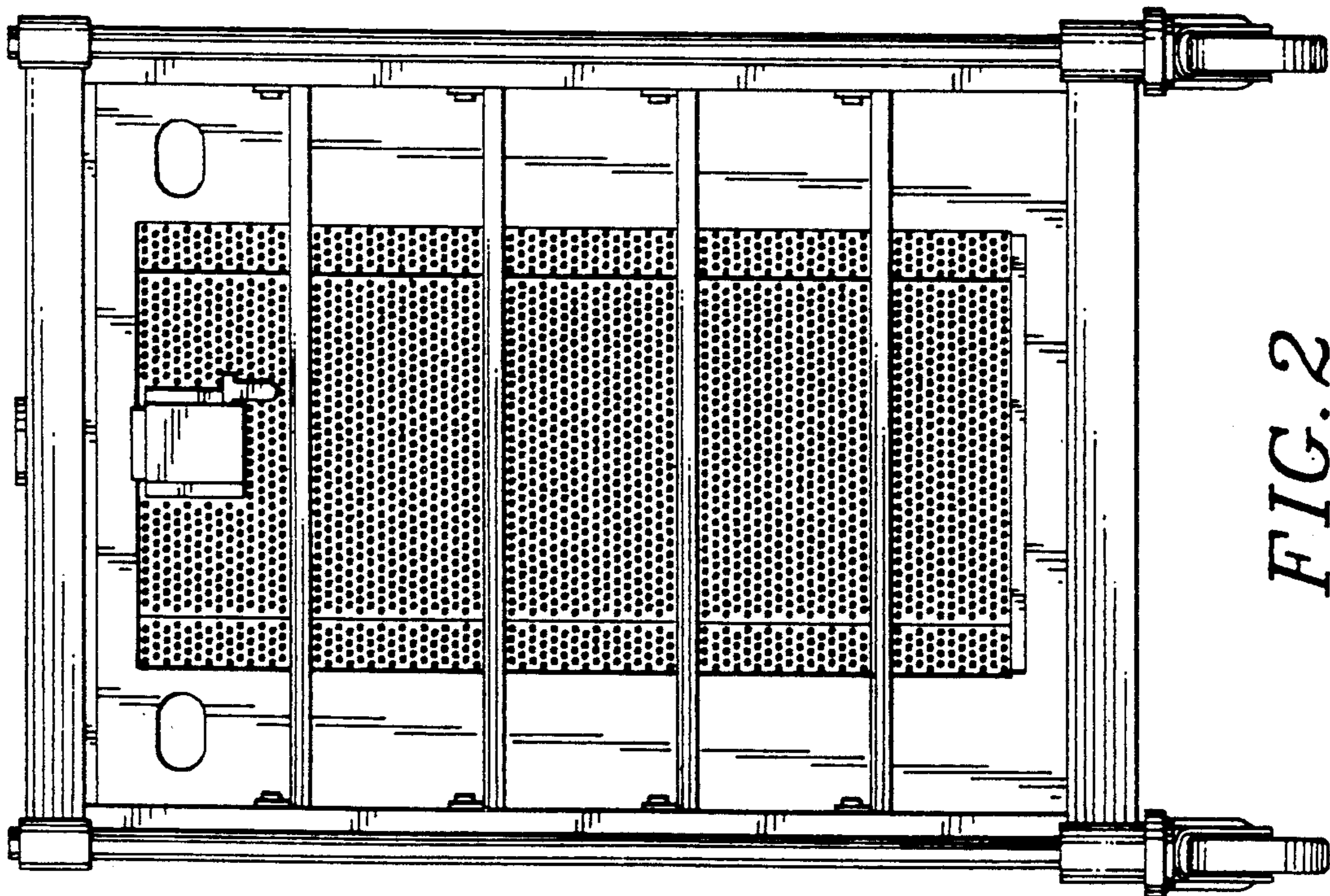
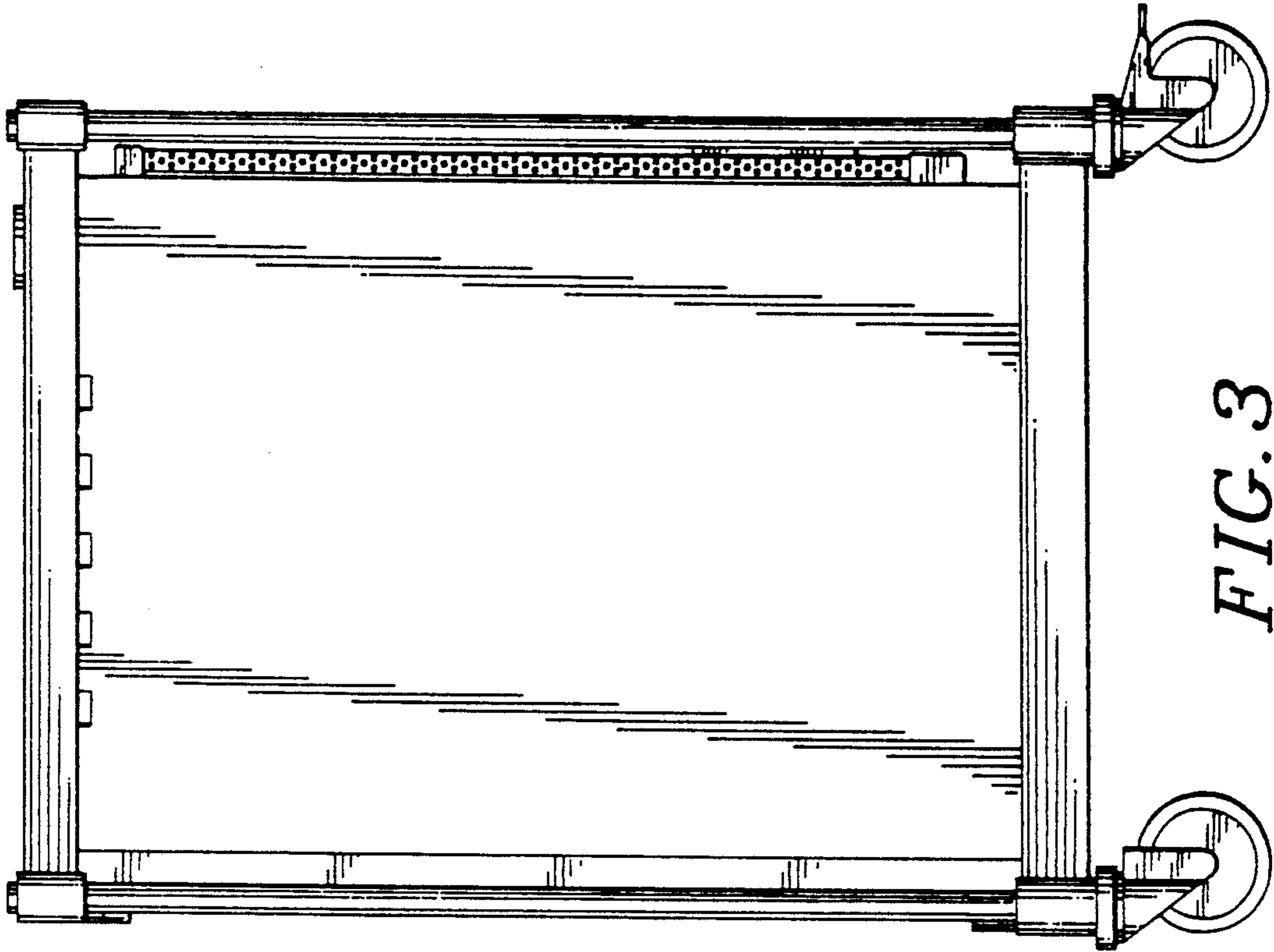


FIG. 1



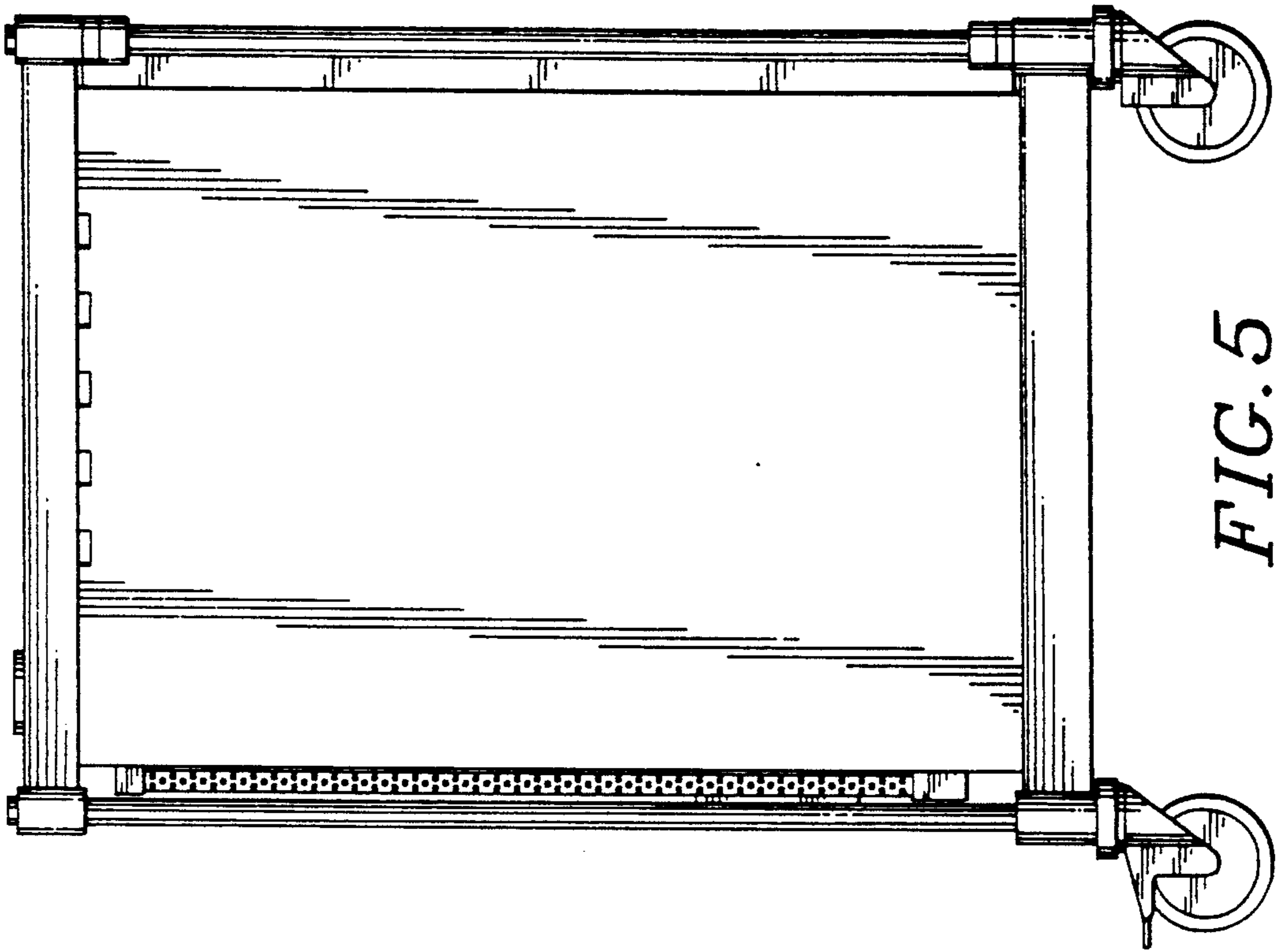


FIG. 5

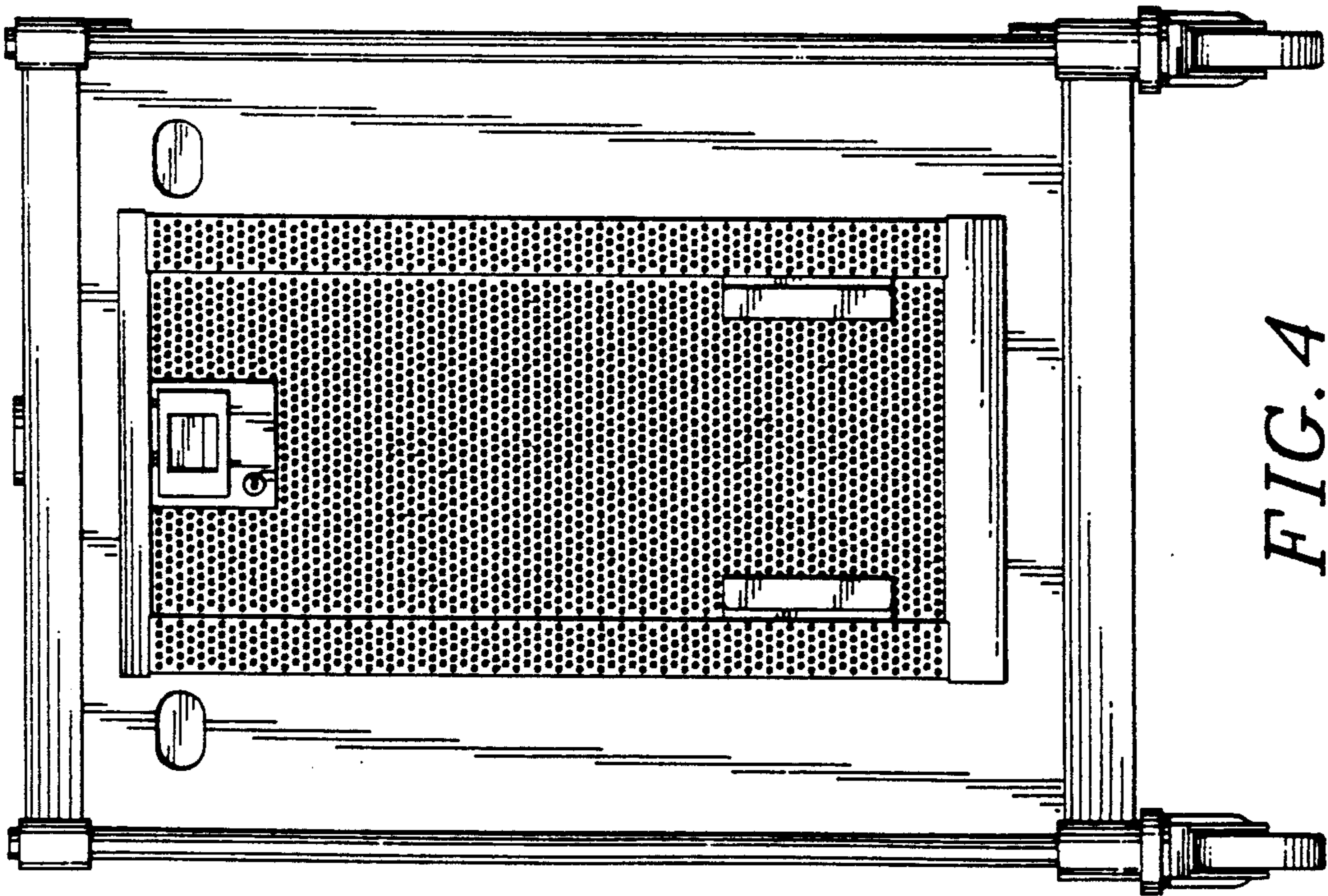


FIG. 4

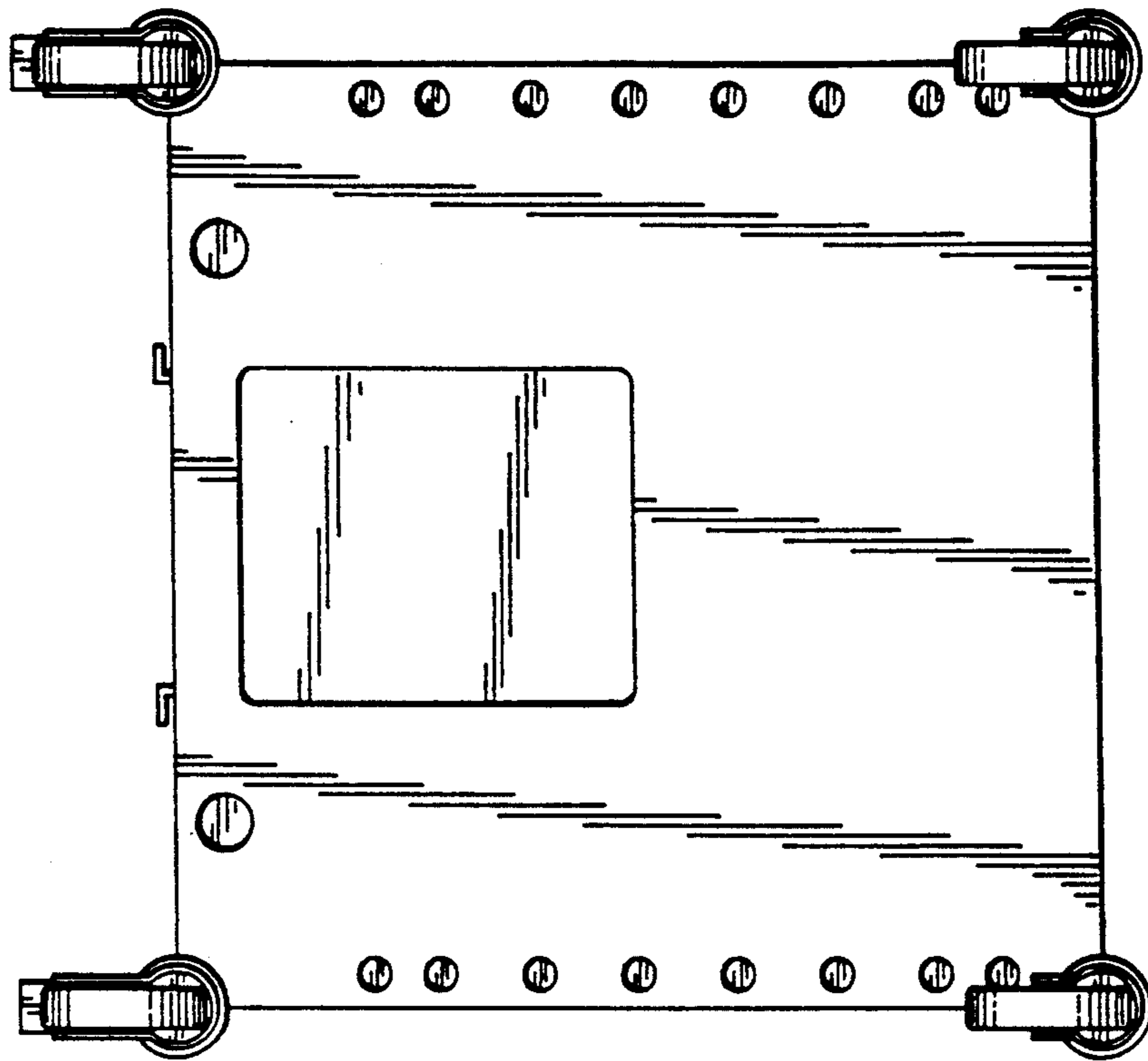


FIG. 7

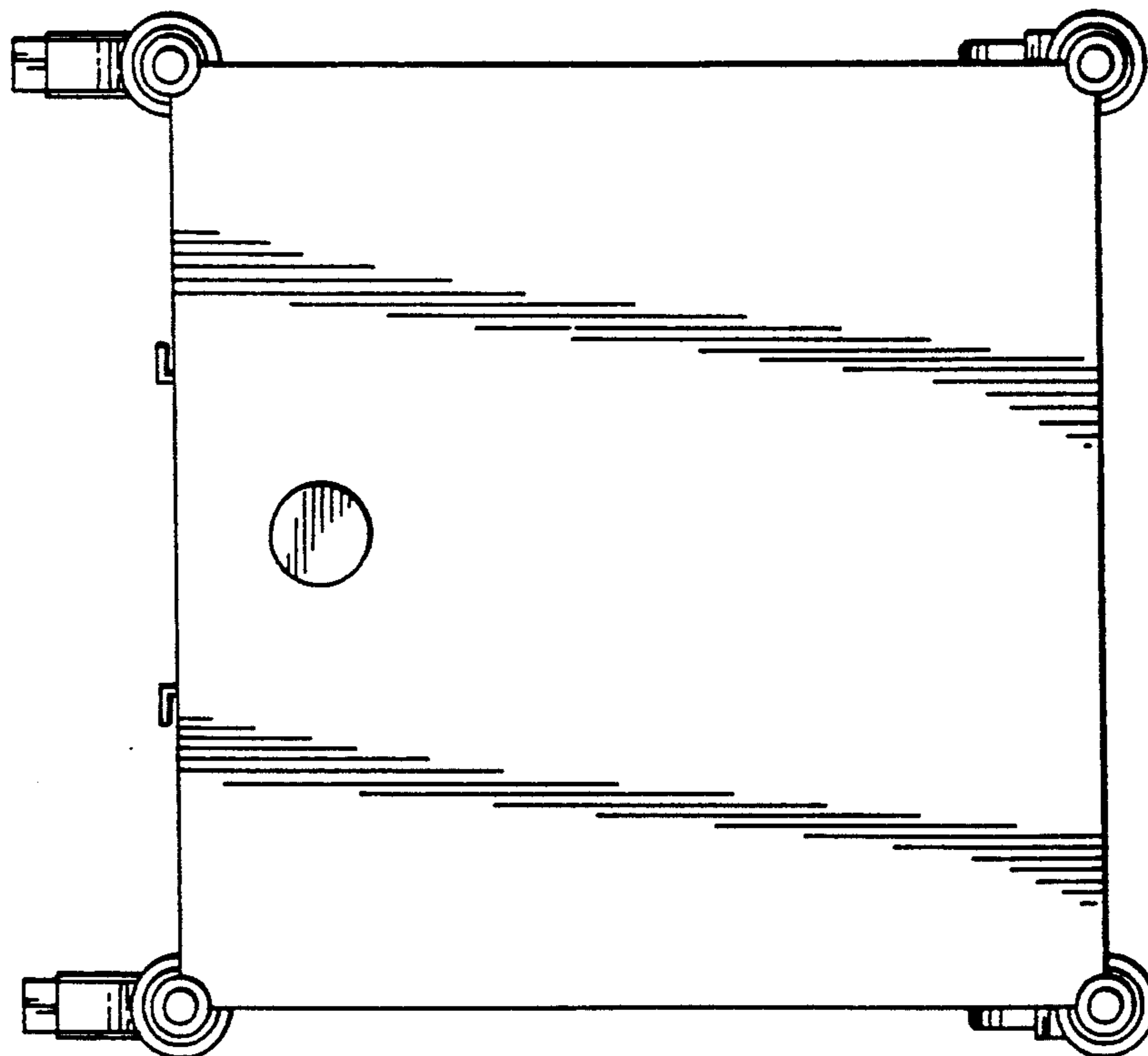


FIG. 6