



US00D341951S

United States Patent [19]
Engel

[11] **Patent Number: Des. 341,951**
[45] **Date of Patent: ** Dec. 7, 1993**

[54] **CHAIR**

[75] **Inventor: Hartmut S. Engel, Freiberg am Neckar, Fed. Rep. of Germany**
[73] **Assignee: Roeder GmbH Sitzmoebelwerke, Frankfurt, Fed. Rep. of Germany**
[**] **Term: 14 Years**
[21] **Appl. No.: 592,679**
[22] **Filed: Oct. 3, 1990**

[30] **Foreign Application Priority Data**
Apr. 6, 1990 [DE] Fed. Rep. of Germany 9002643.8
[52] **U.S. Cl. D6/366; D6/364**
[58] **Field of Search D6/364, 365, 366, 375, D6/426; 297/445**

[56] **References Cited**
U.S. PATENT DOCUMENTS
D. 245,378 8/1977 Roerichi D6/366
D. 286,106 10/1986 Franck et al. D6/375 X
D. 288,869 3/1987 Bitsch D6/365
D. 301,662 6/1989 Vonhausen D6/366
D. 320,704 10/1991 Monesi D6/366
4,509,793 4/1985 Wiesmann et al. D6/366 X

OTHER PUBLICATIONS

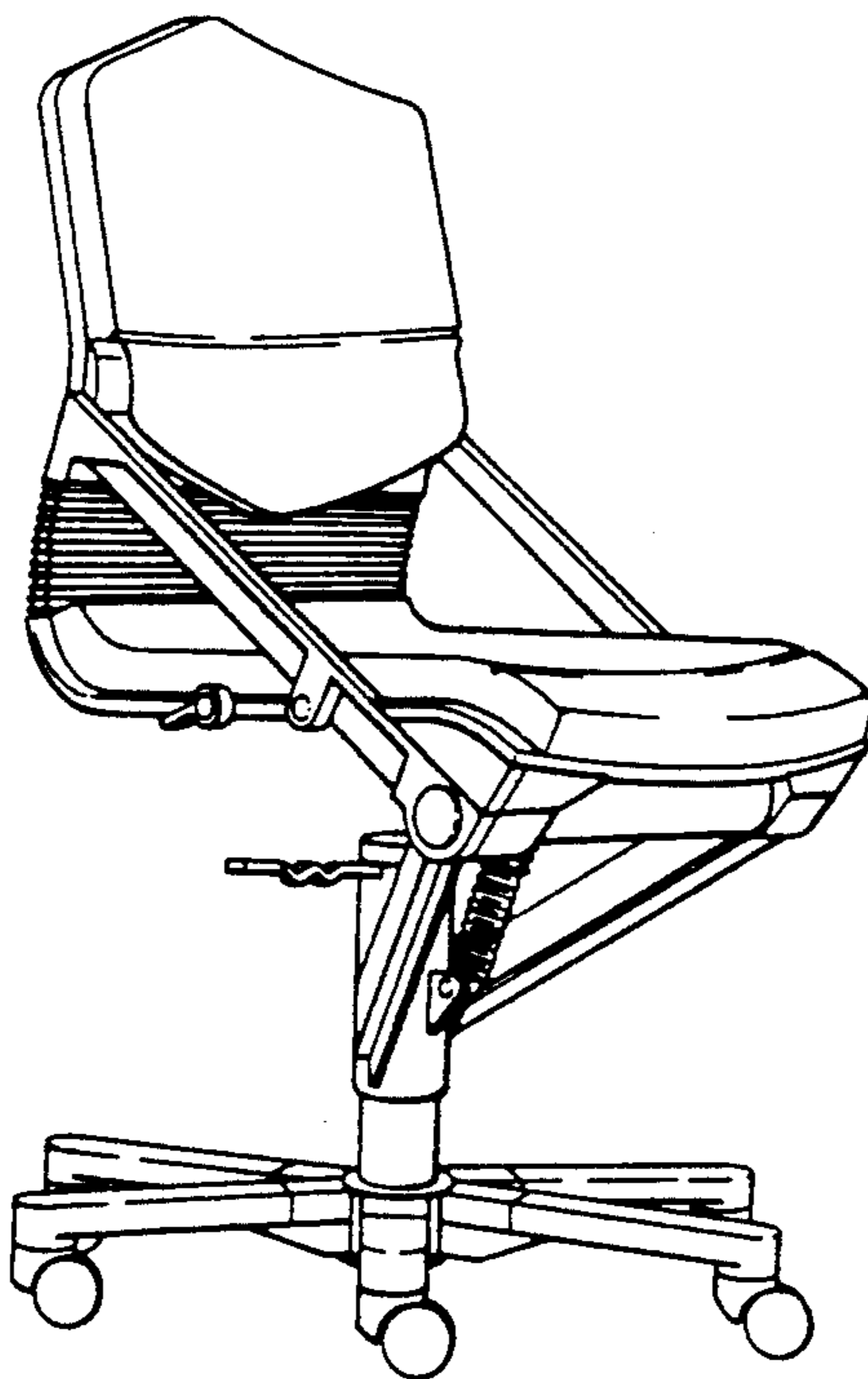
Kimball International Inc. Cat., ©1983, front of flyer, "Model 86P Exec. Task Chair", center of page.
Trilax Cat., Girsberger Ind., ©1990, "Girsberger Chair", center of page.
Primary Examiner—Nelson C. Holtje
Assistant Examiner—Martha Thompson
Attorney, Agent, or Firm—Townsend and Townsend, Khourie and Crew

[57] **CLAIM**

The ornamental design for a chair, as shown and described.

DESCRIPTION

FIG. 1 is a left front perspective view of a chair showing my new design;
FIG. 2 is a left side perspective view;
FIG. 3 is a rear perspective view;
FIG. 4 is a left rear perspective view;
FIG. 5 is a front perspective view;
FIG. 6 is a left front perspective view of a second embodiment of my new design;
FIG. 7 is a left side perspective view of FIG. 6;
FIG. 8 is a rear perspective view of FIG. 6;
FIG. 9 is a left rear perspective view of FIG. 6; and,
FIG. 10 is a front perspective view of FIG. 6.
The bottom of the article is conventional in appearance.



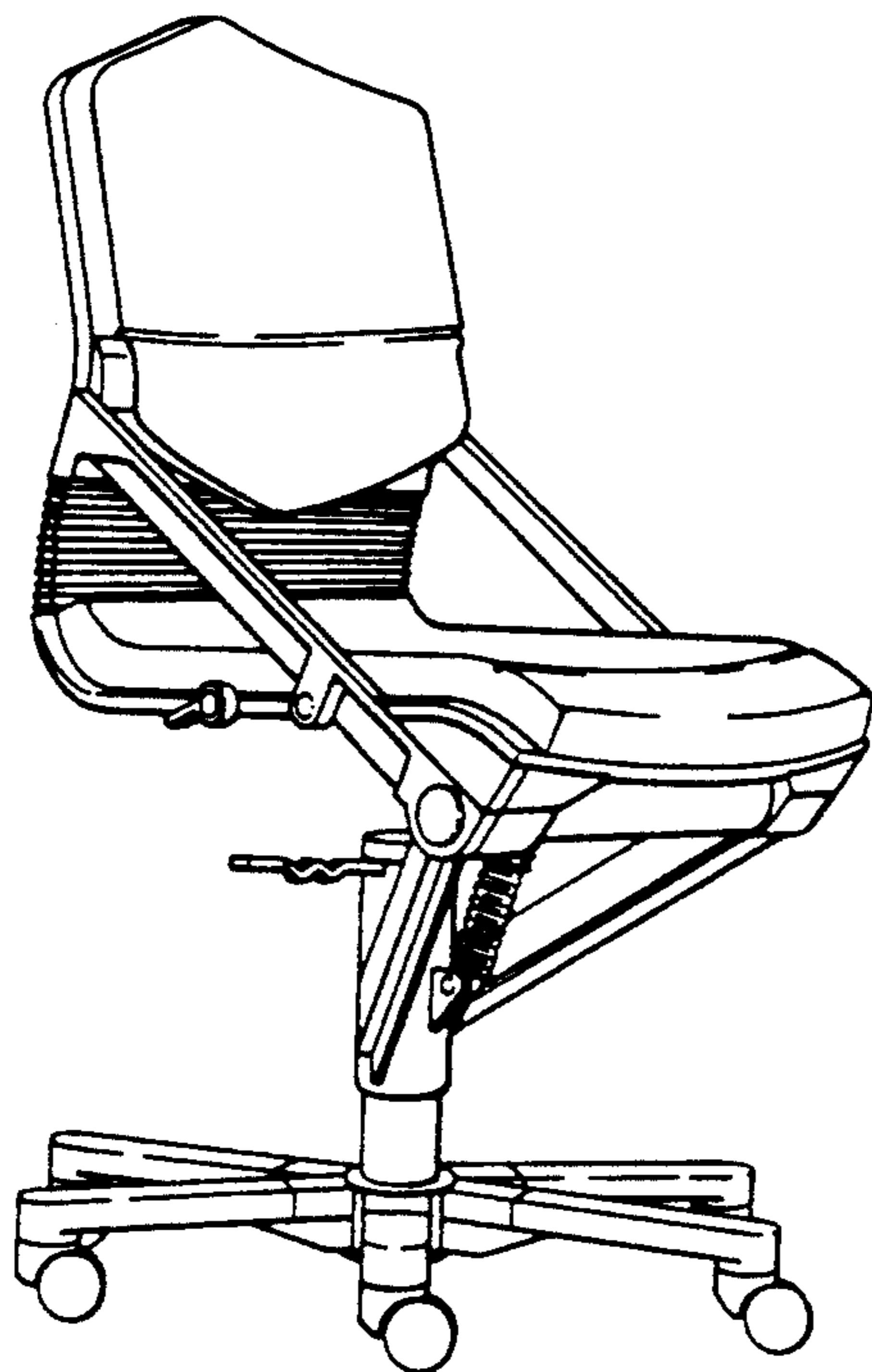


Fig. 1

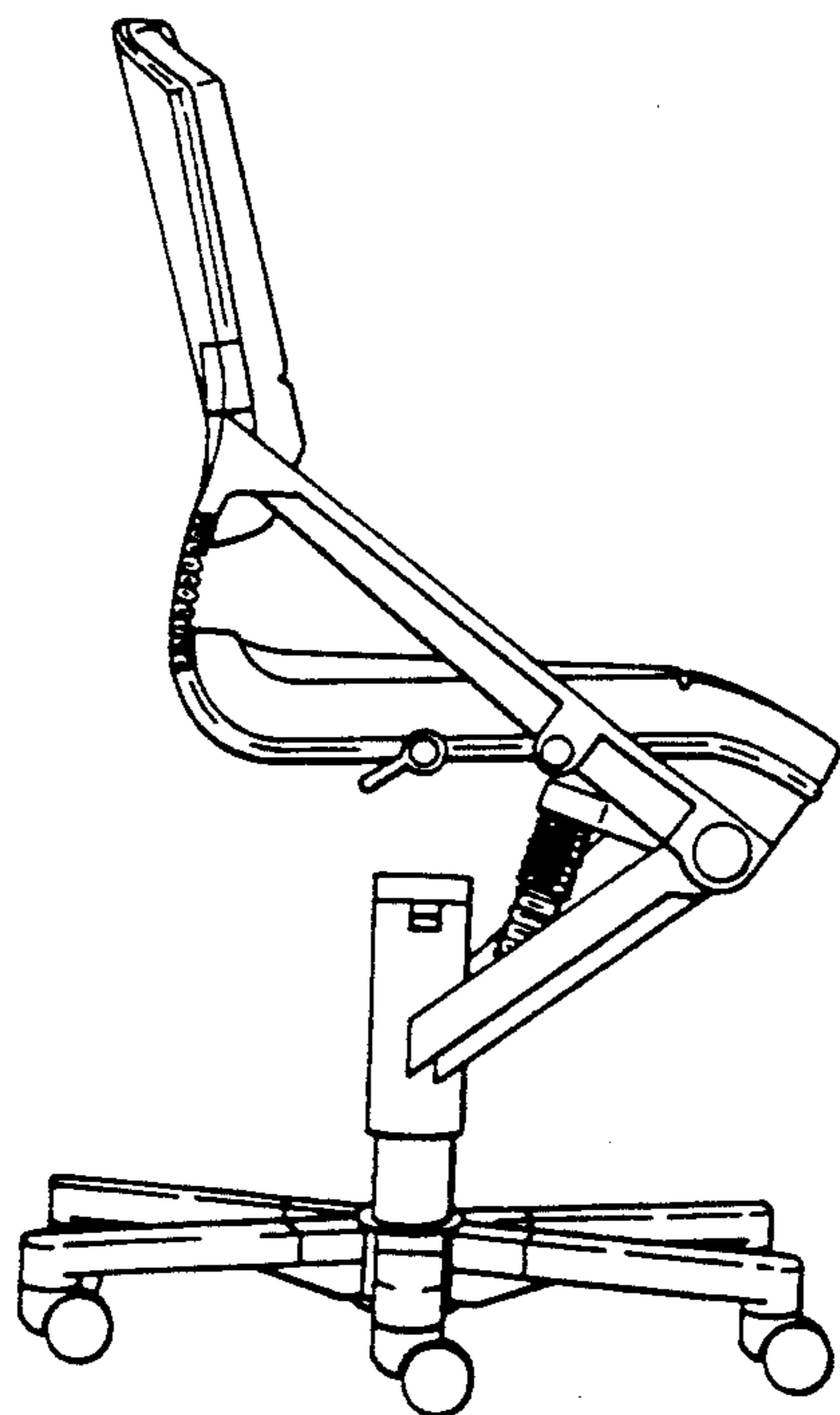


Fig. 2

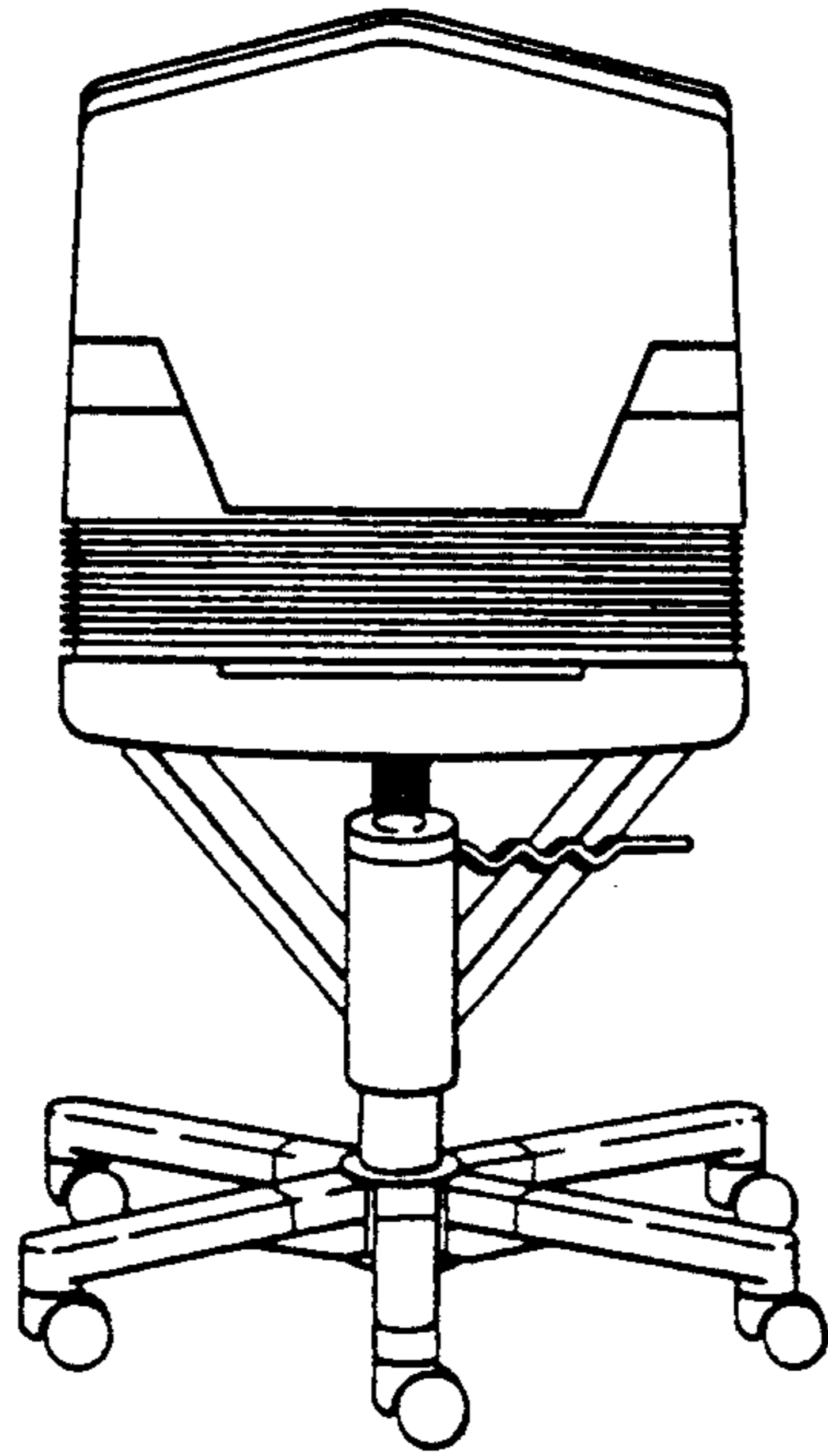


Fig. 3

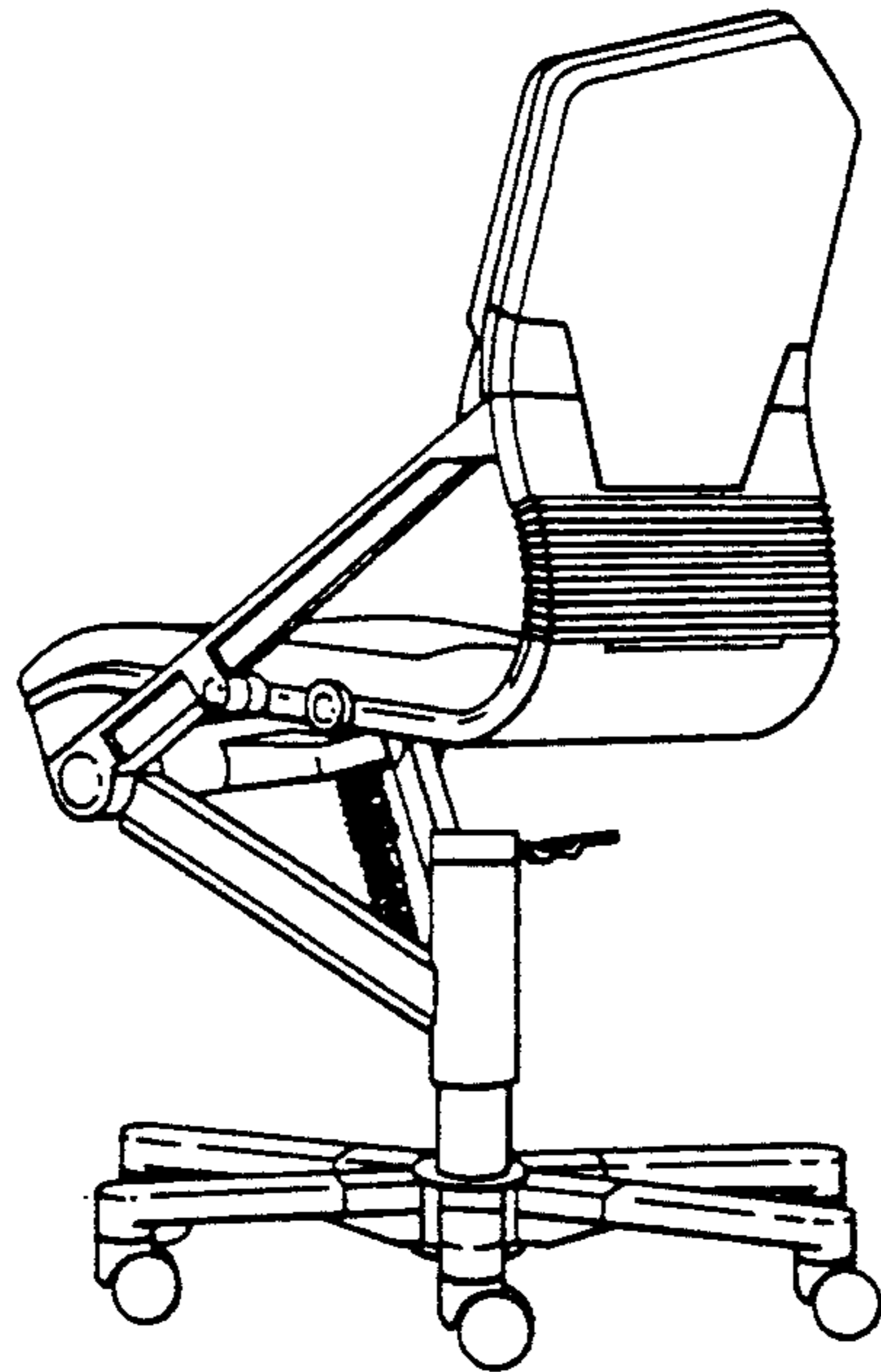


Fig. 4

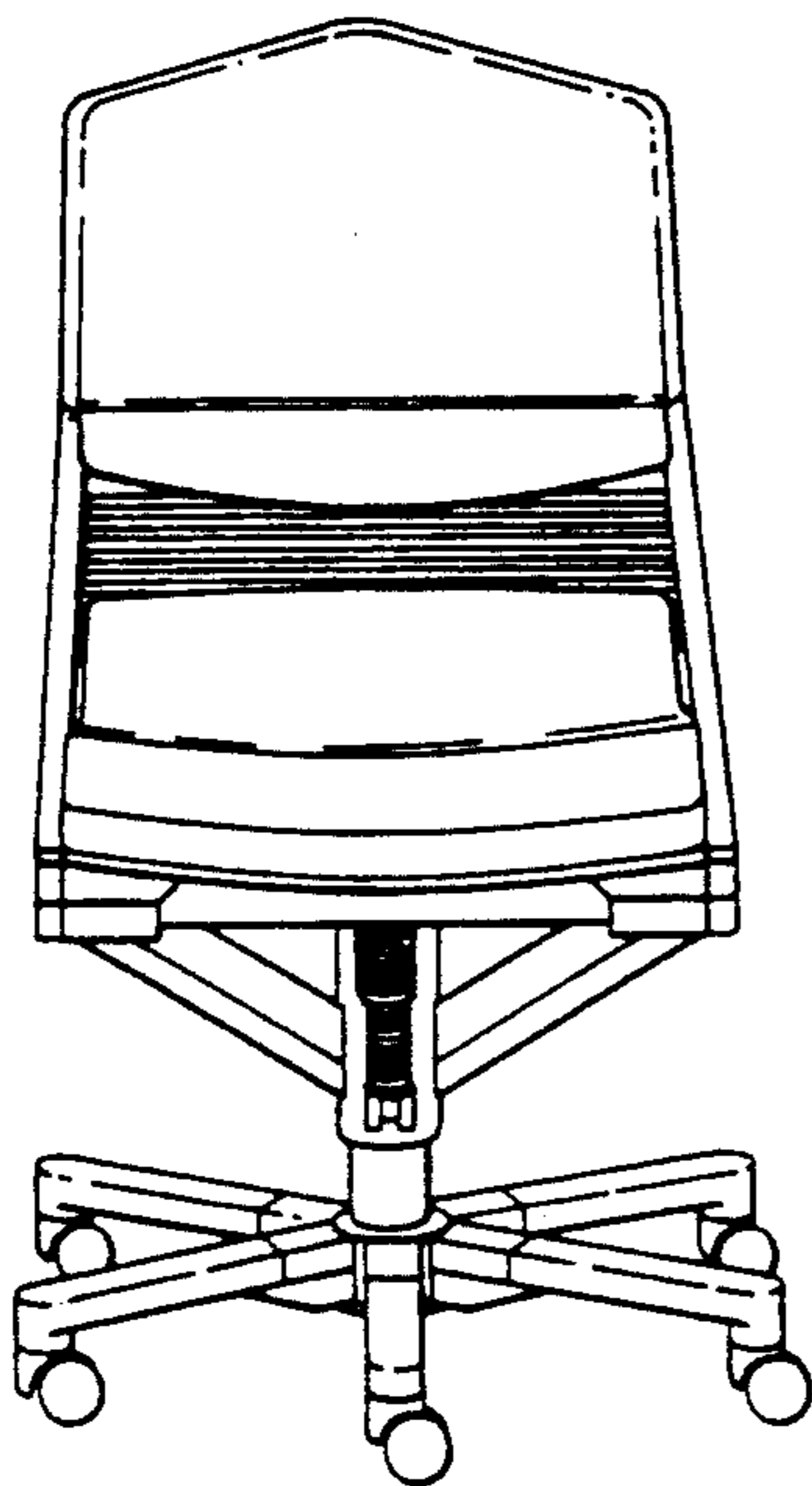


Fig. 5



Fig. 6

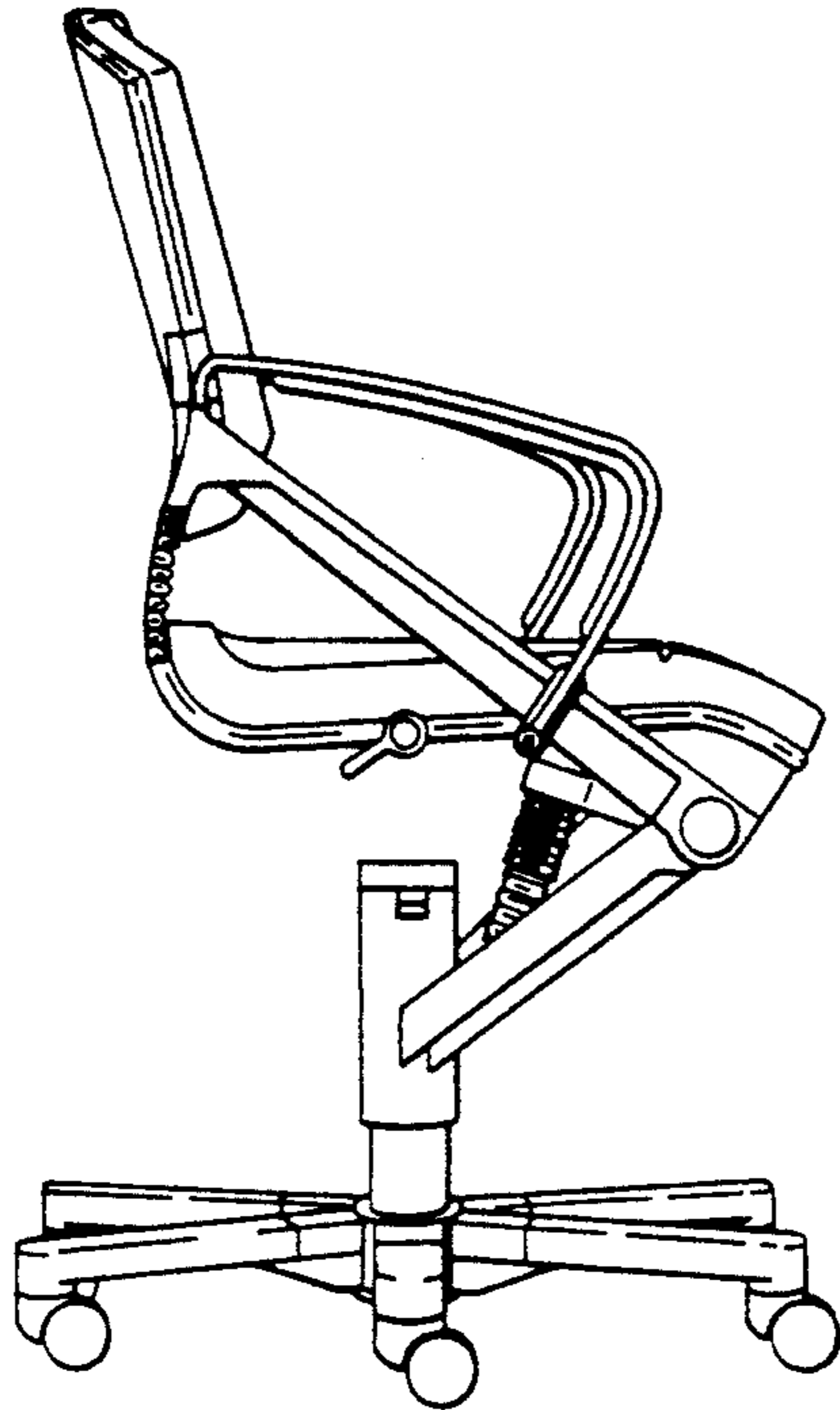


Fig. 7

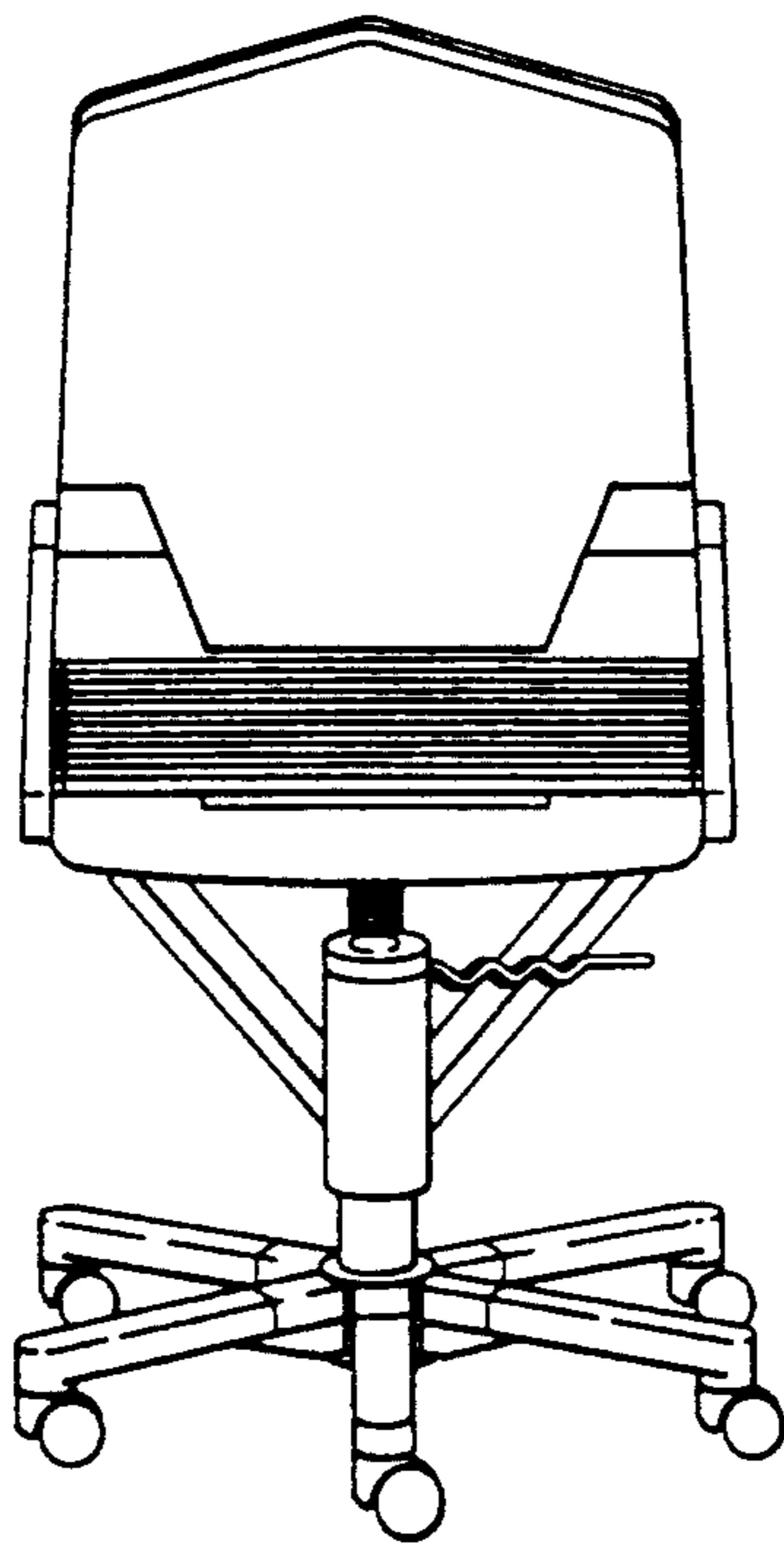


Fig. 8

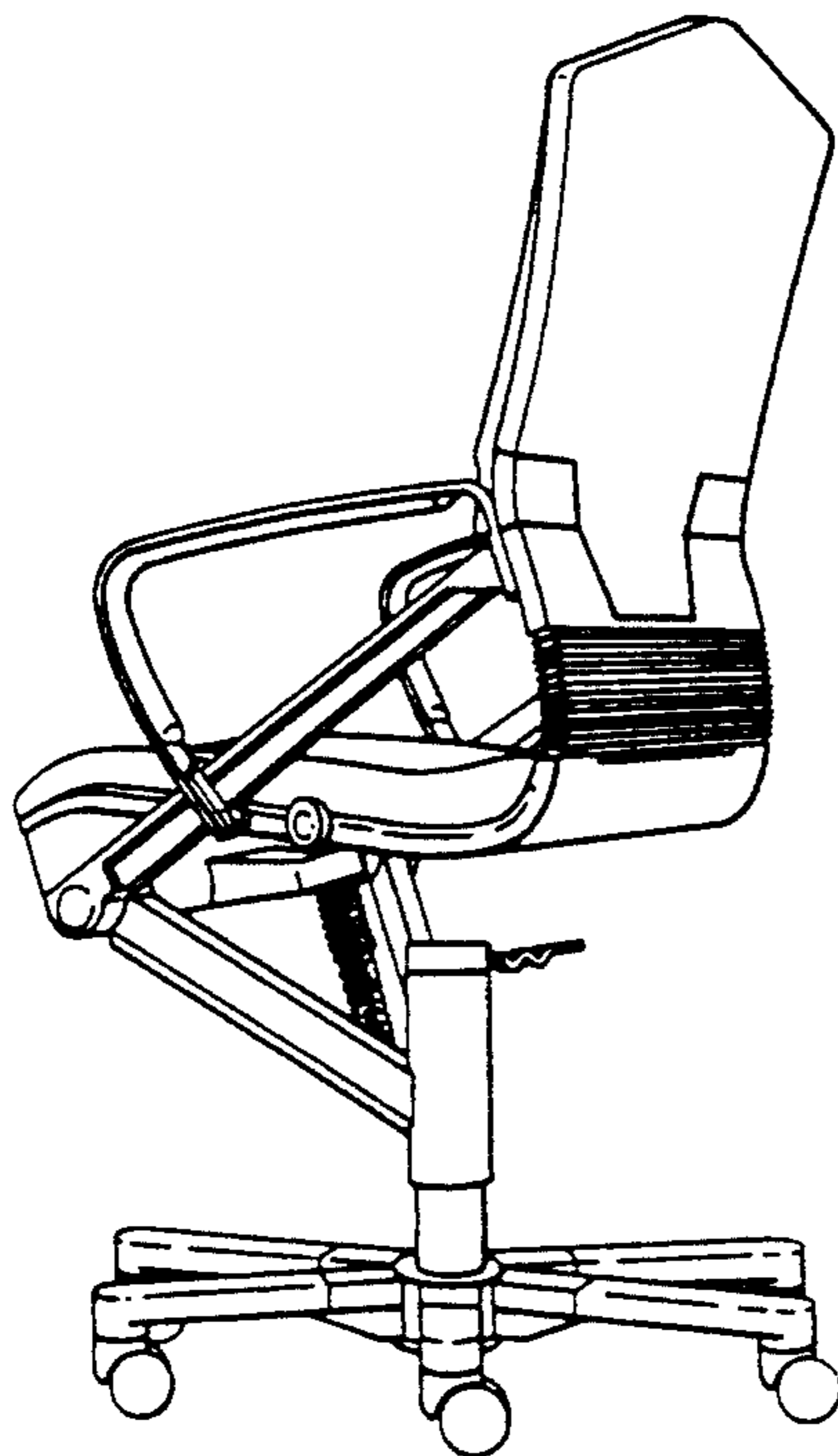


Fig. 9

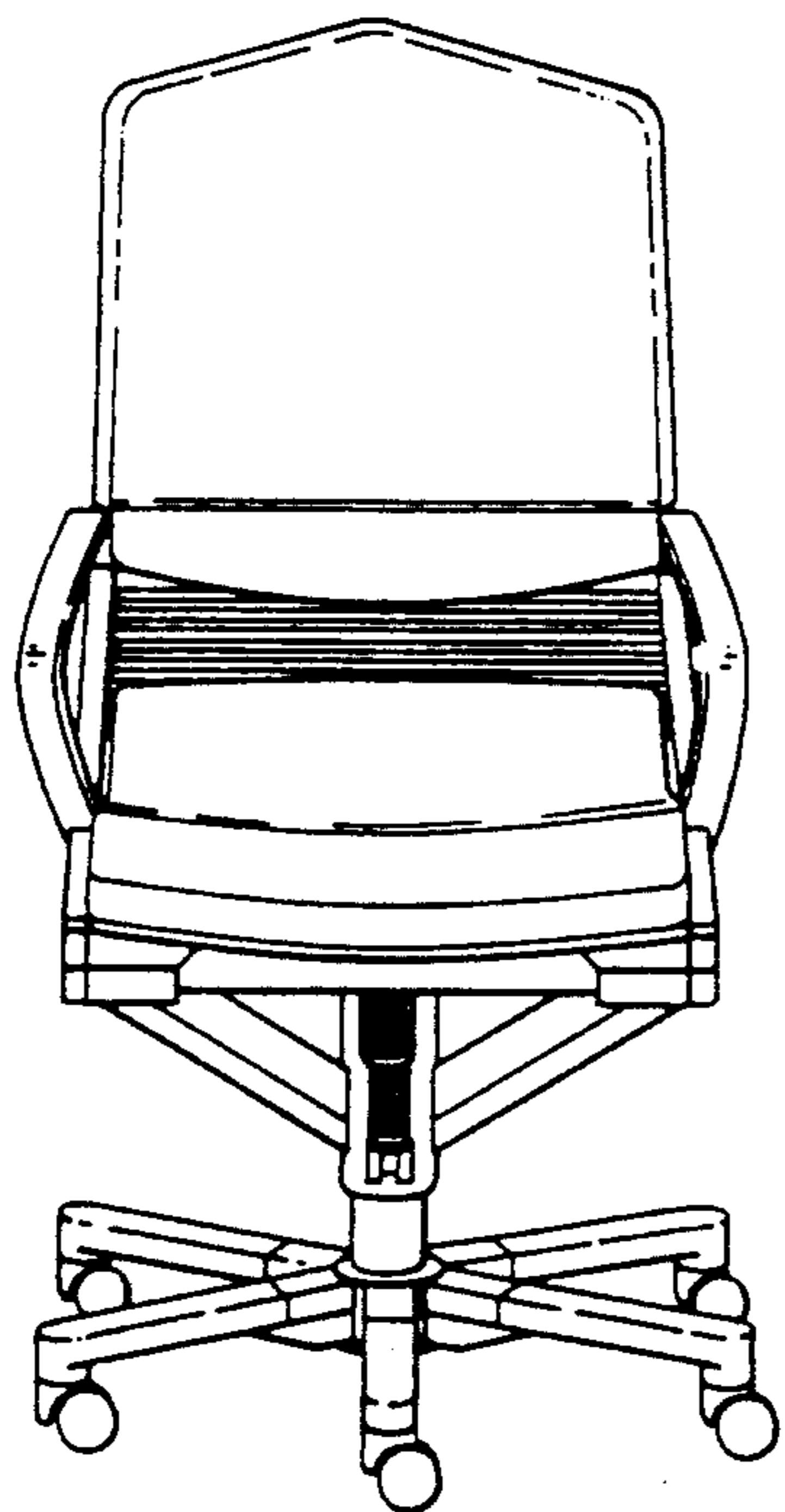


Fig. 10