



US00D341950S

United States Patent [19] Martin

[11] Patent Number: **Des. 341,950**

[45] Date of Patent: **** Dec. 7, 1993**

[54] **PALADIUM/CHAISE LOUNGE**

[75] Inventor: **Leo Martin**, Coconut Grove, Fla.

[73] Assignee: **Miami Metal Products, Inc.**, Miami, Fla.

[**] Term: **14 Years**

[21] Appl. No.: **828,647**

[22] Filed: **Jan. 31, 1992**

[52] U.S. Cl. **D6/361**

[58] Field of Search **D6/334, 360, 361, 367, D6/370, 379, 380, 500, 501, 502; 297/377, 422**

D. 268,235 3/1983 Bergquist D6/361
 D. 279,240 6/1985 Jernigan D6/361
 D. 279,335 6/1985 Frinier et al. D6/361
 D. 285,628 9/1986 Zola D6/361
 D. 317,087 5/1991 Frinier D6/361

Primary Examiner—Alan P. Douglas
Assistant Examiner—Gary D. Watson

[57] CLAIM

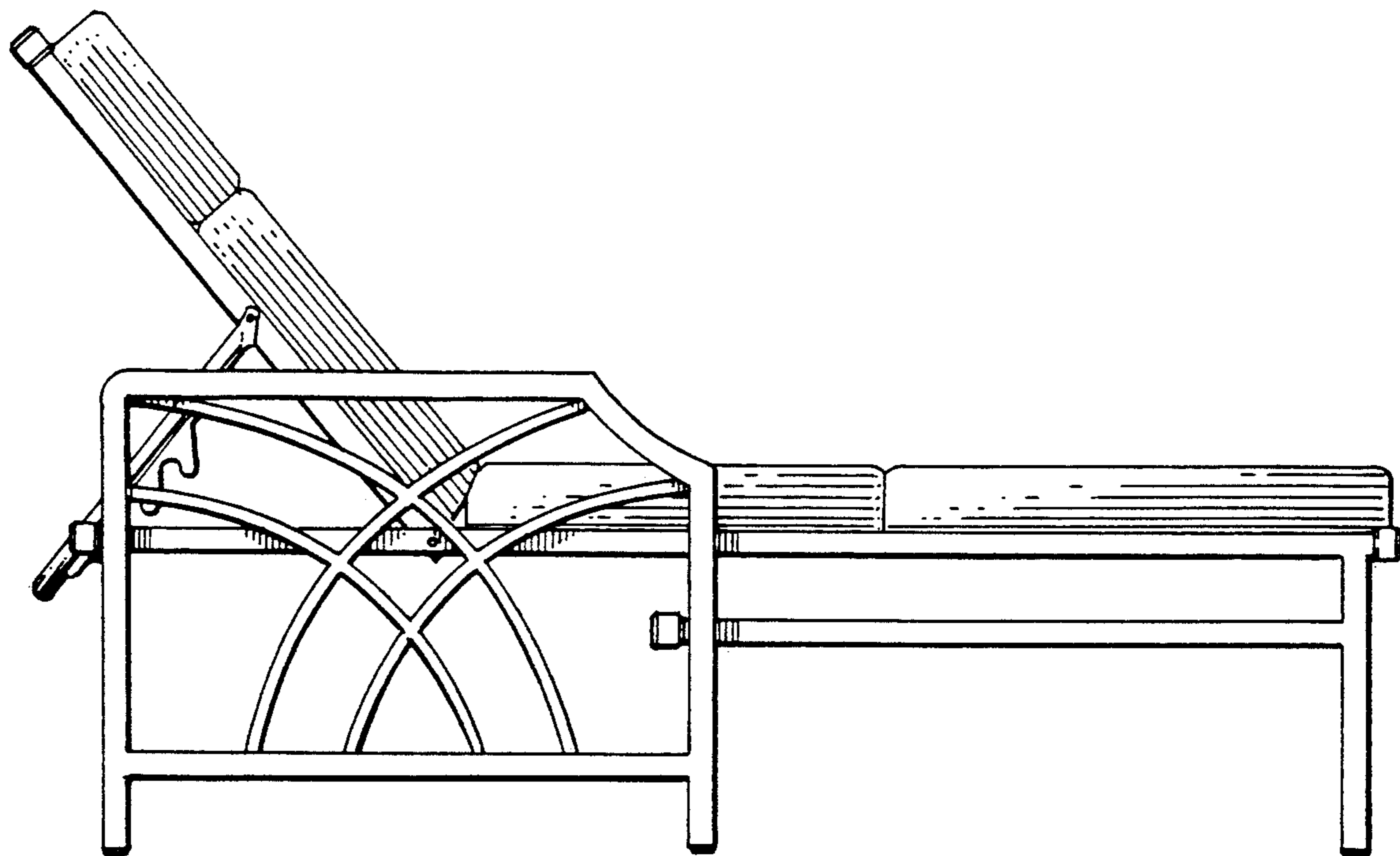
The ornamental design for a paladium chaise lounge, as shown and described.

DESCRIPTION

FIG. 1 is a side view of the present invention;
 FIG. 2 is a front elevation view of the invention;
 FIG. 3 is a back elevation view of the invention;
 FIG. 4 is a top plan view of the invention; and,
 FIG. 5 is a bottom plan view of the invention.

[56] **References Cited**
U.S. PATENT DOCUMENTS

D. 180,601 7/1957 Jakobsen D6/380
 D. 182,710 5/1958 Cohen D6/380



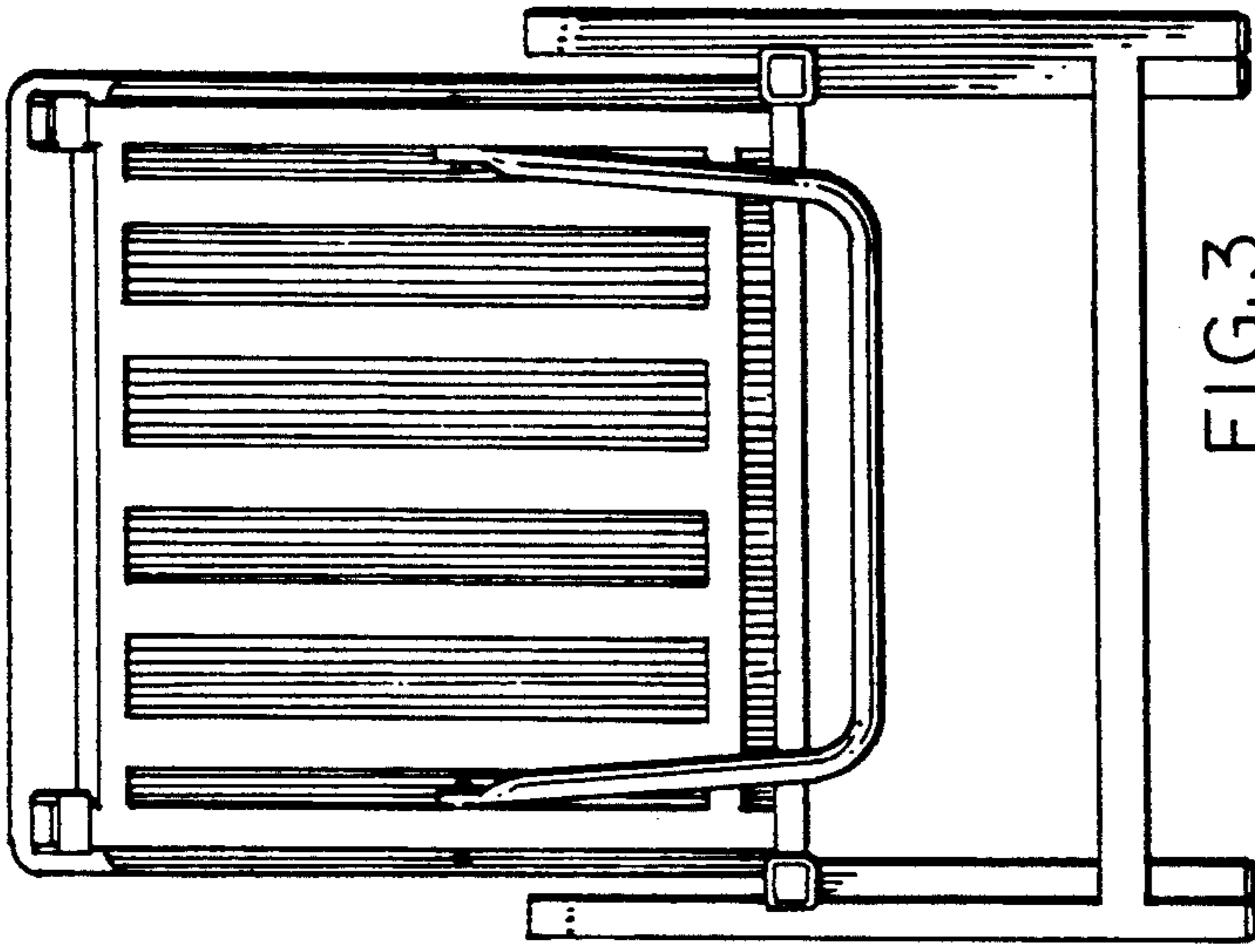


FIG. 3

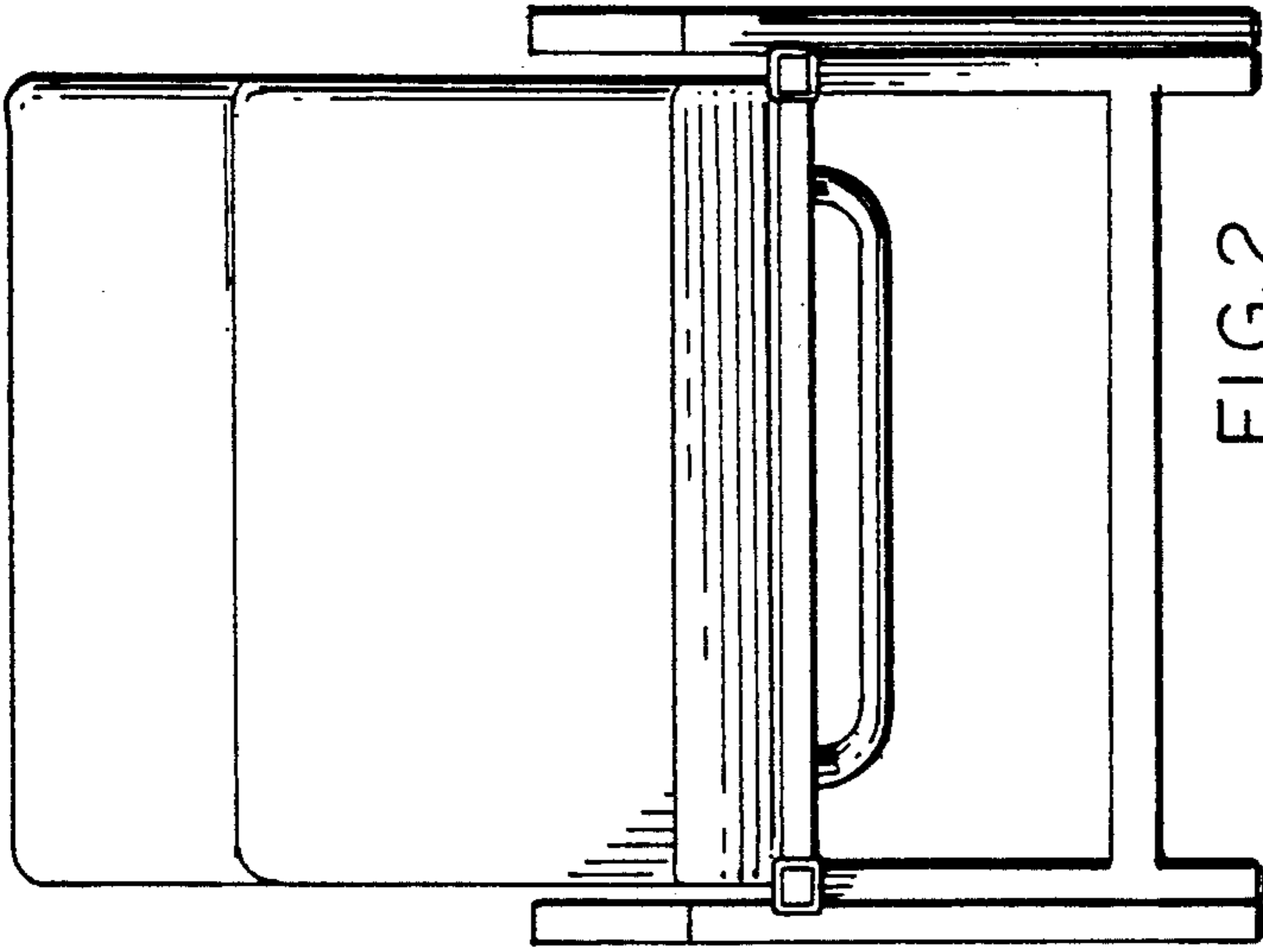


FIG. 2

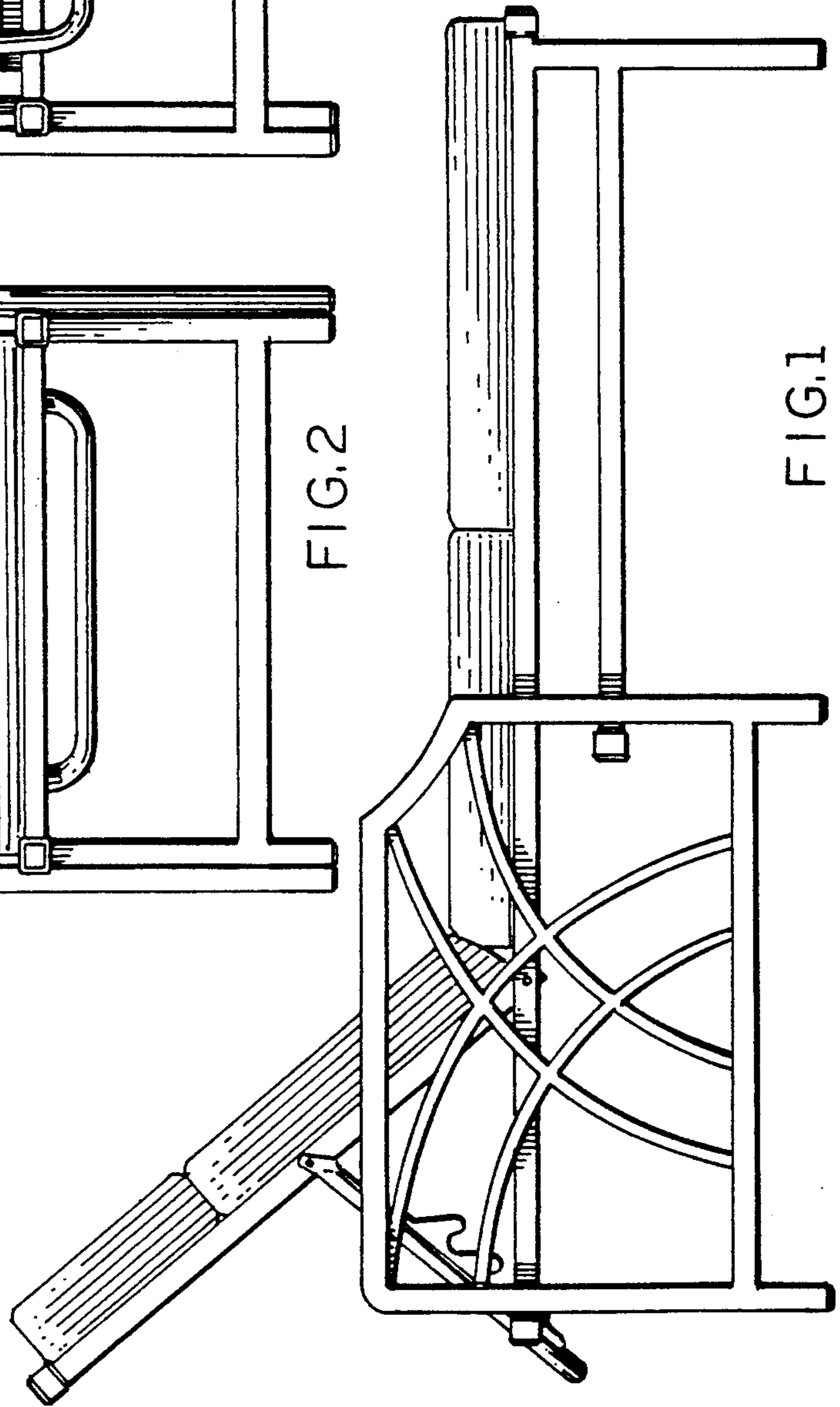


FIG. 1

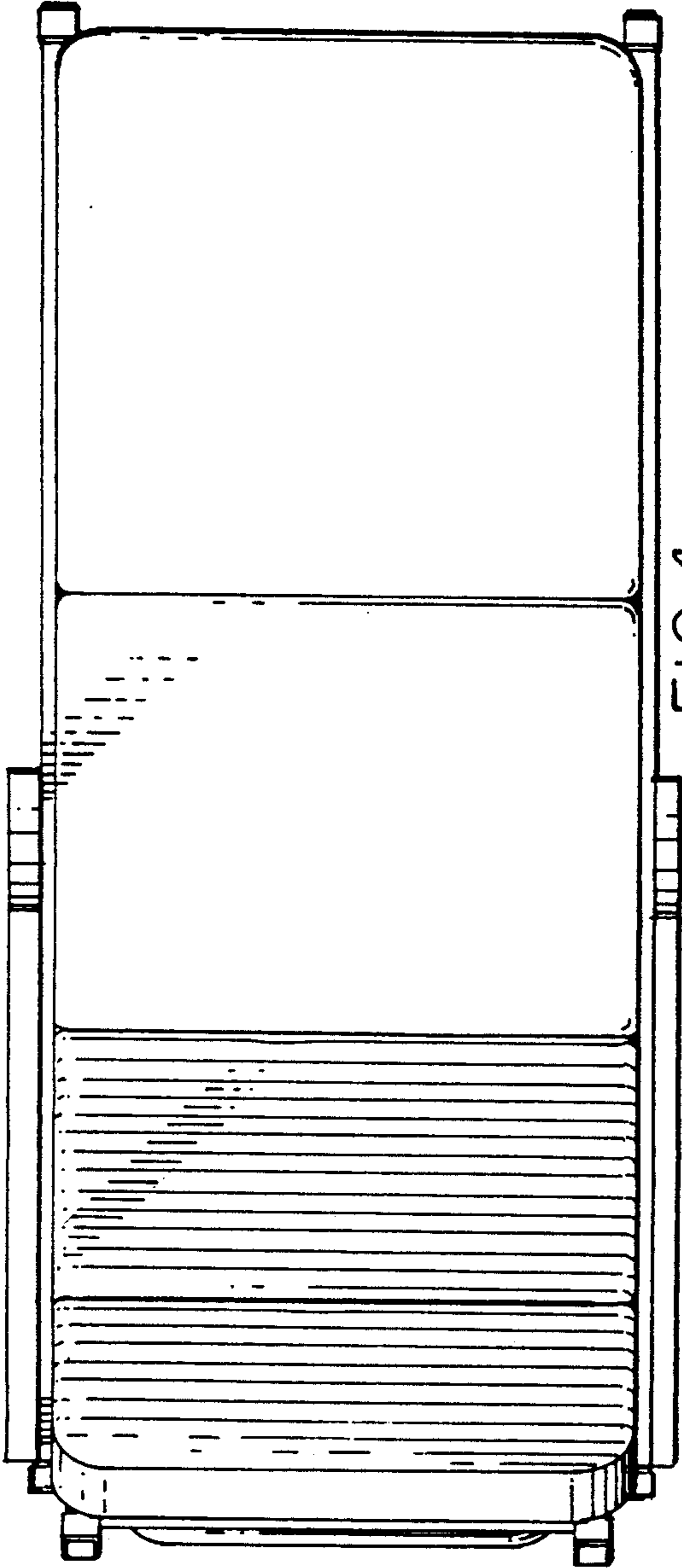


FIG. 4

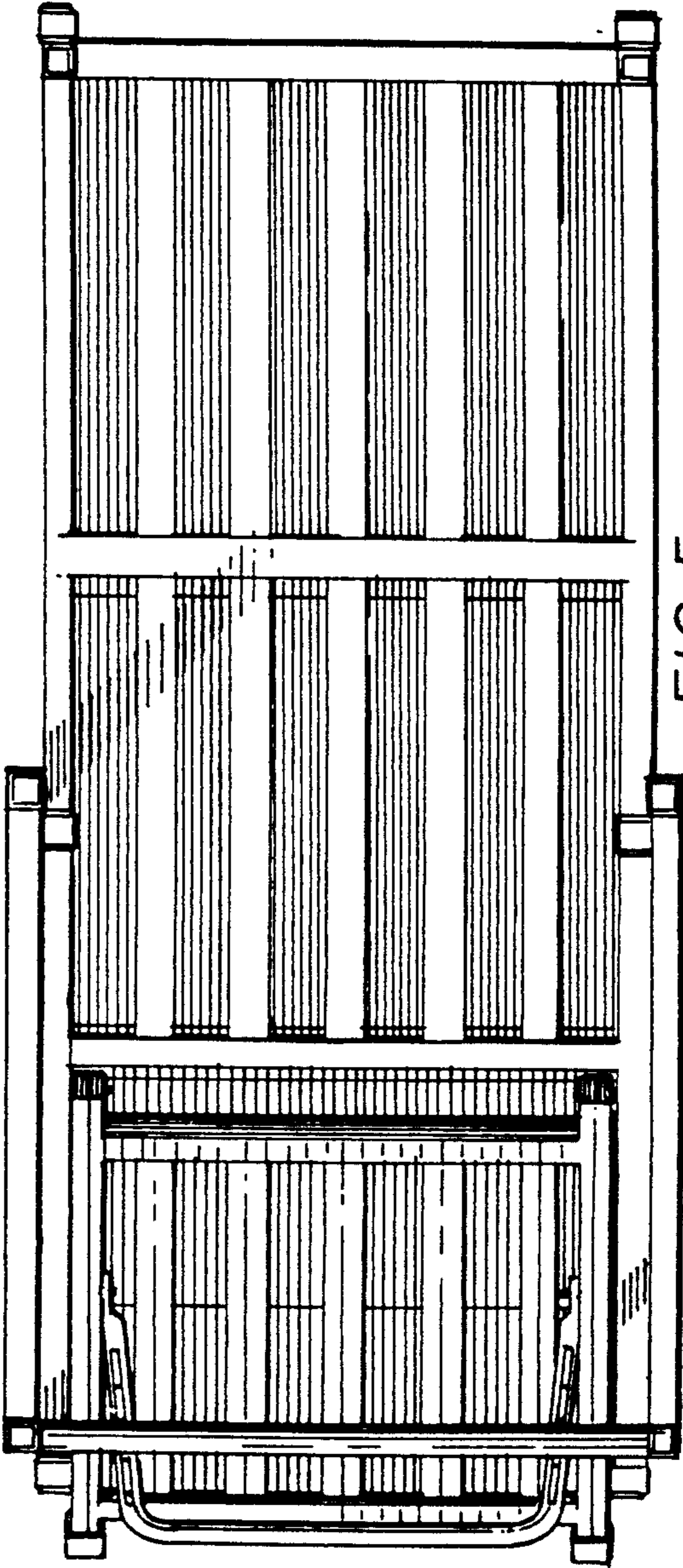


FIG. 5