



US00D341948S

United States Patent [19]

Nolan

[11] Patent Number: **Des. 341,948**

[45] Date of Patent: **** Dec. 7, 1993**

[54] **SWING SEAT UNIT**

[75] Inventor: **Robert J. Nolan**, Columbus, Miss.

[73] Assignee: **Par Industries, Inc.**, Medina, Ohio

[**] Term: **14 Years**

[21] Appl. No.: **646,056**

[22] Filed: **Jan. 25, 1991**

[52] U.S. Cl. **D6/346; D6/347; D6/337**

[58] Field of Search **D6/344, 346, 347, 336, D6/337, 342, 356; 297/257, 261, 273, 278**

[56] **References Cited**

U.S. PATENT DOCUMENTS

D. 83,587	3/1931	Weaver	D6/346
D. 141,676	6/1945	Cosme	D6/346
D. 150,094	6/1948	Nagin et al.	D6/346
D. 192,512	4/1962	Carpenter	D6/337
D. 260,059	8/1981	Vorwerck	D6/347
D. 315,455	3/1991	Vallee	D6/346 X
818,622	4/1906	Hancock	297/261 X

1,146,530	7/1915	Skeels	297/261 X
3,765,674	10/1973	Siler	297/273 X
4,456,244	6/1984	Andrews	297/273 X
4,620,702	11/1986	Hemmeter	297/273 X
4,799,669	1/1989	Appleton	297/278 X

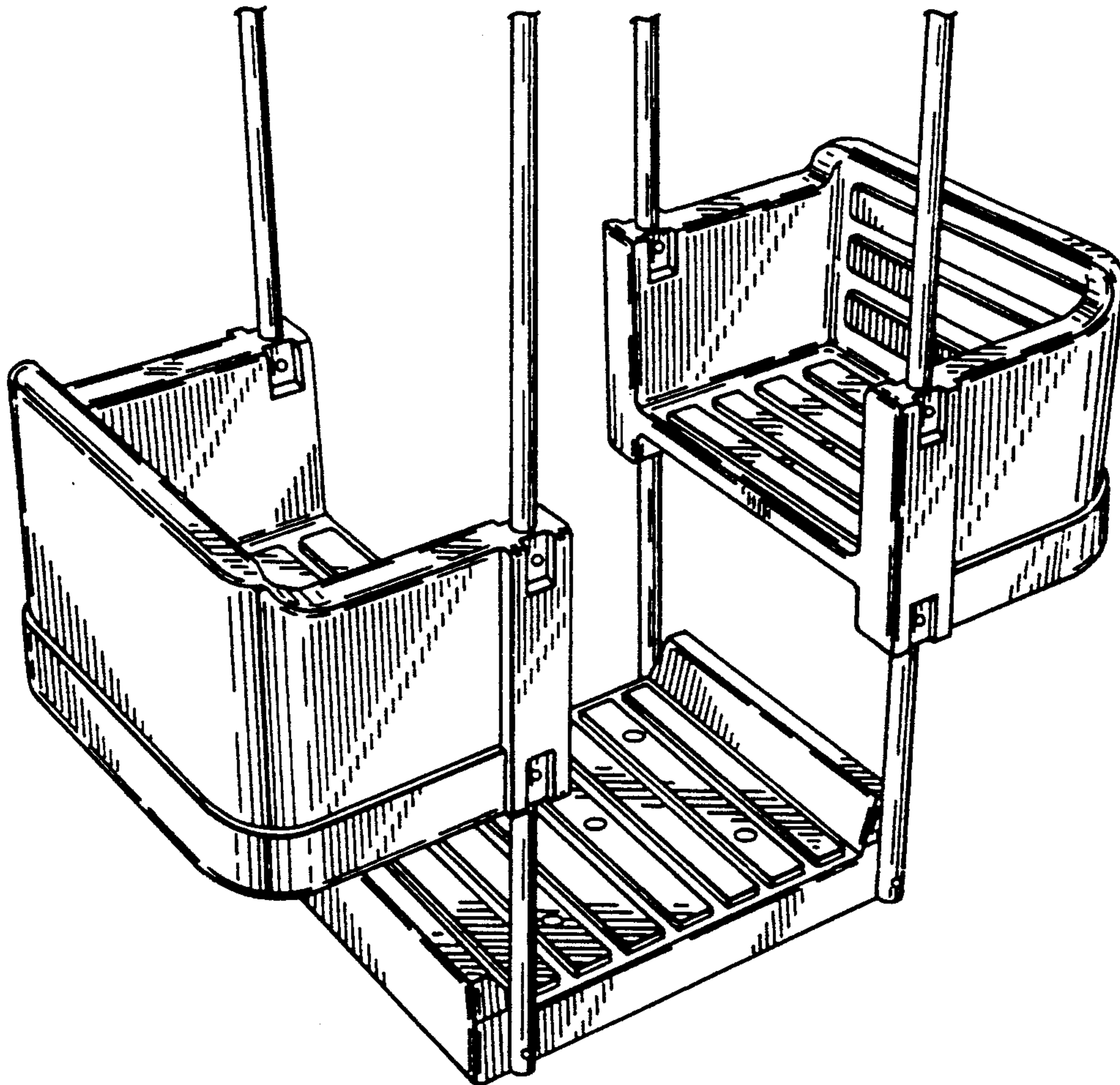
Primary Examiner—Carmen H. Vales-Lado
Attorney, Agent, or Firm—Renner, Kenner, Greive, Bobak, Taylor & Weber

[57] **CLAIM**

The ornamental design for a swing seat unit, as shown and described.

DESCRIPTION

FIG. 1 is a perspective view of a swing seat unit showing my new design;
FIG. 2 is a top plan view thereof;
FIG. 3 is a side elevation view thereof;
FIG. 4 is a bottom plan view thereof;
FIG. 5 is an end elevation view thereof; and,
FIG. 6 is a front elevation of one seat taken along line 6—6 of FIG. 1.
The cylindrical members shown broken away throughout the views indicate indeterminate length.



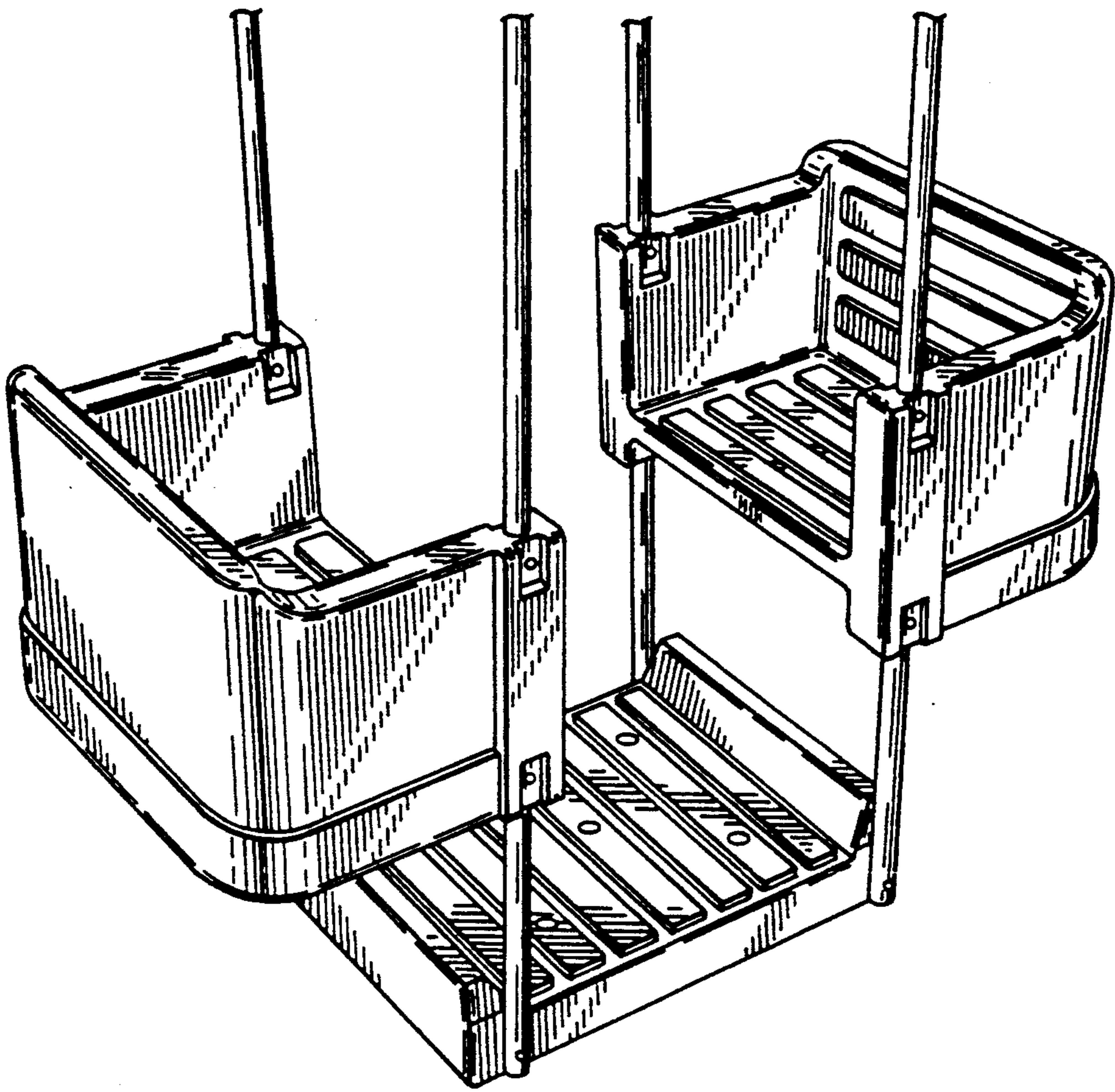


FIG. 1

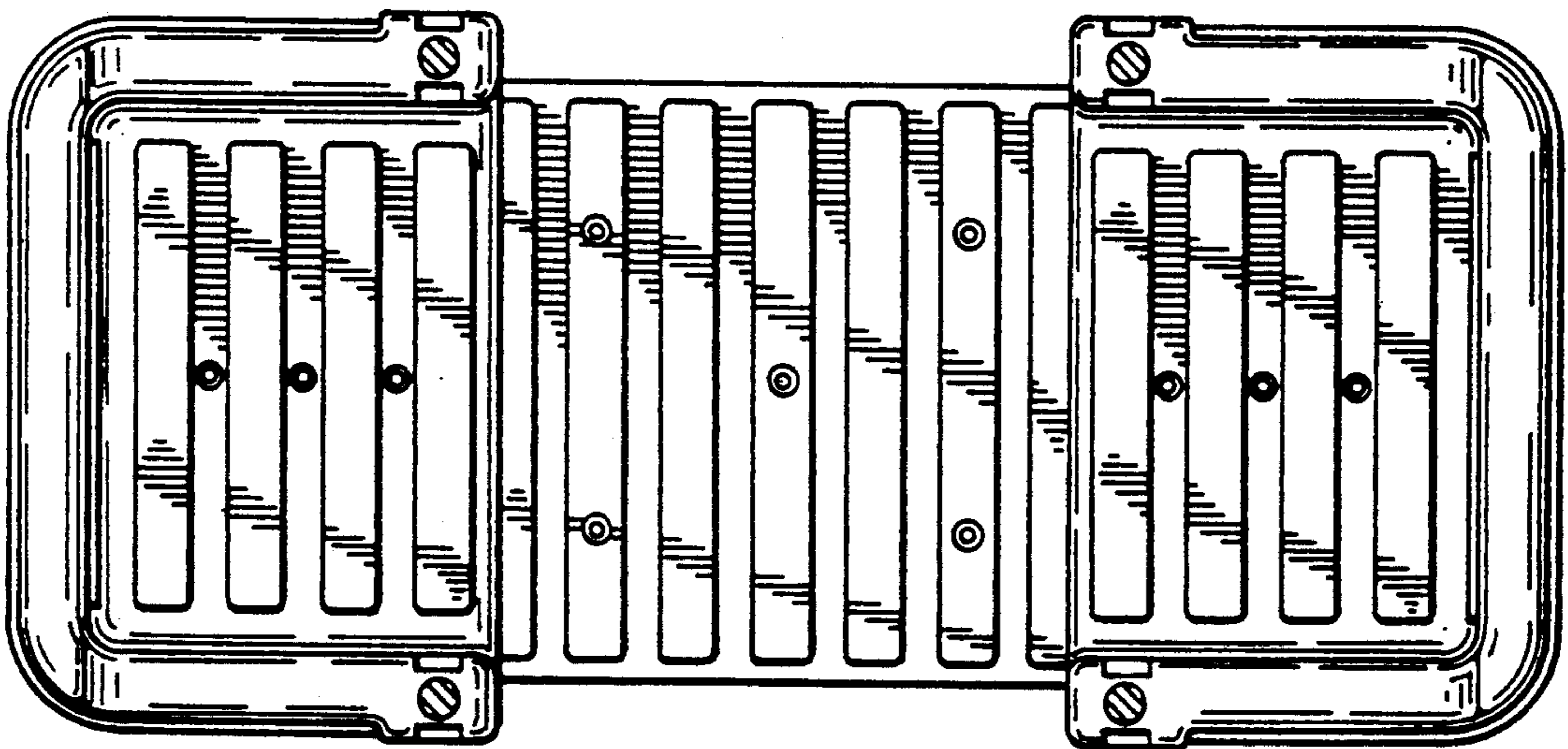


FIG. 2

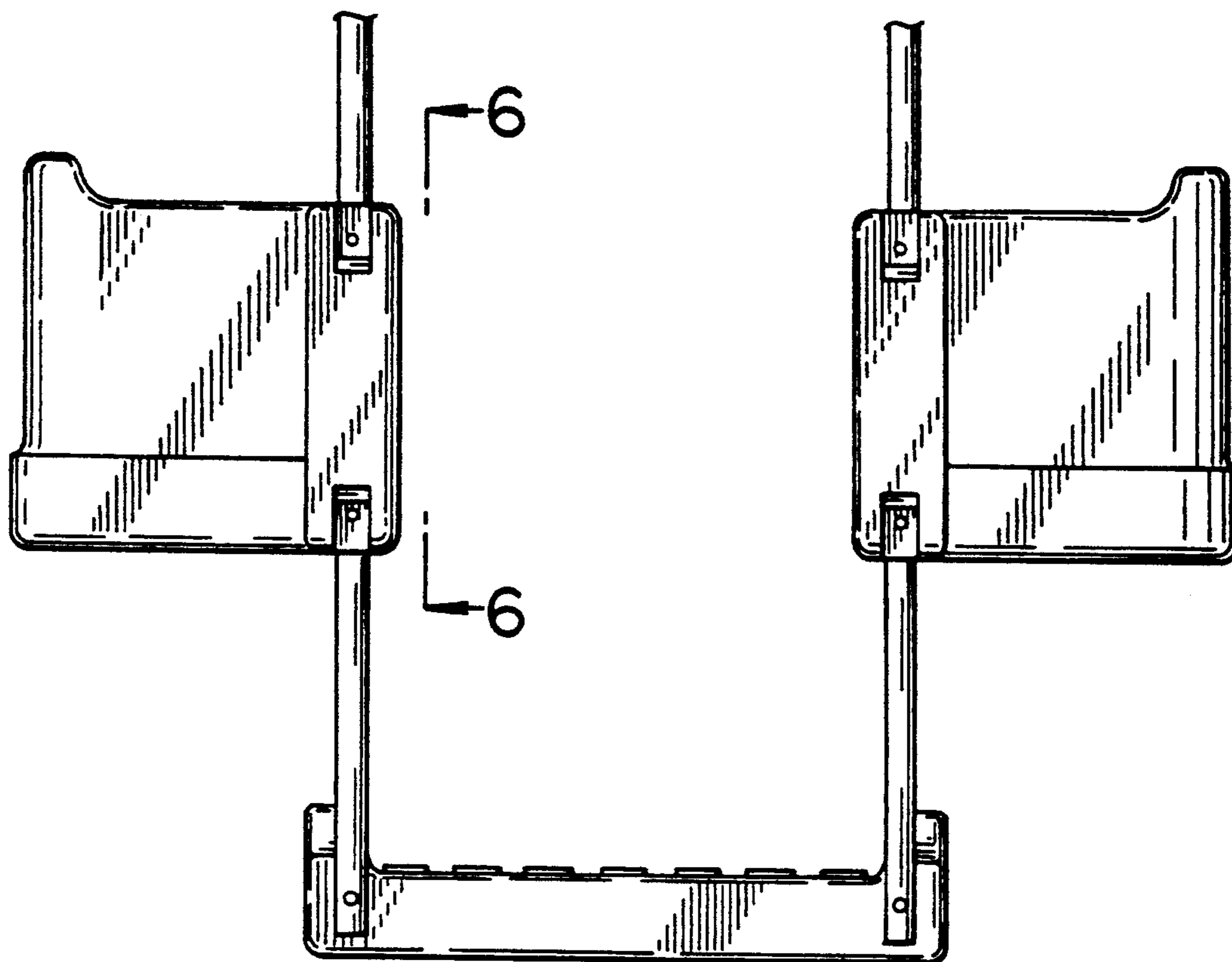


FIG. 3

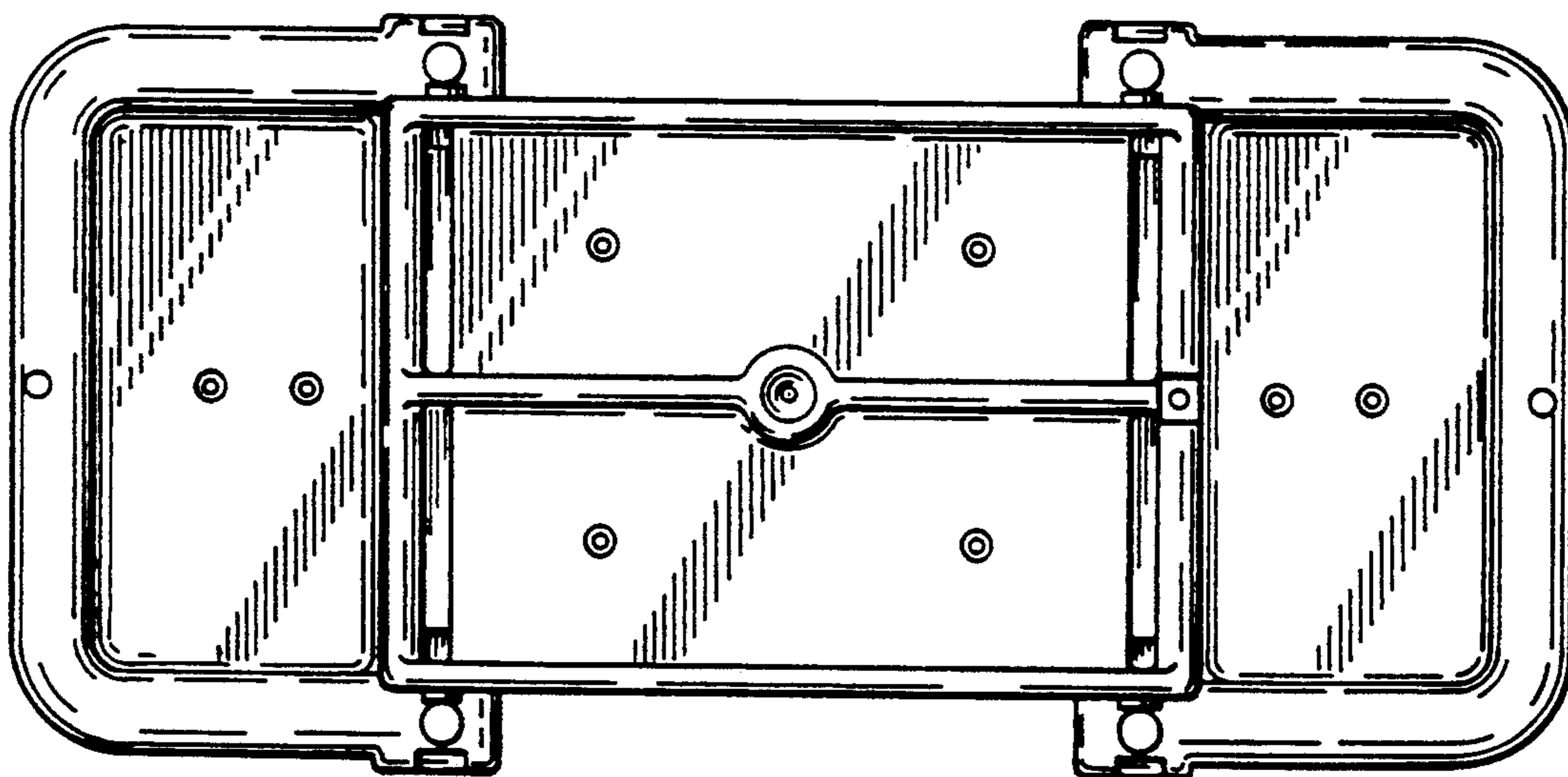


FIG. 4

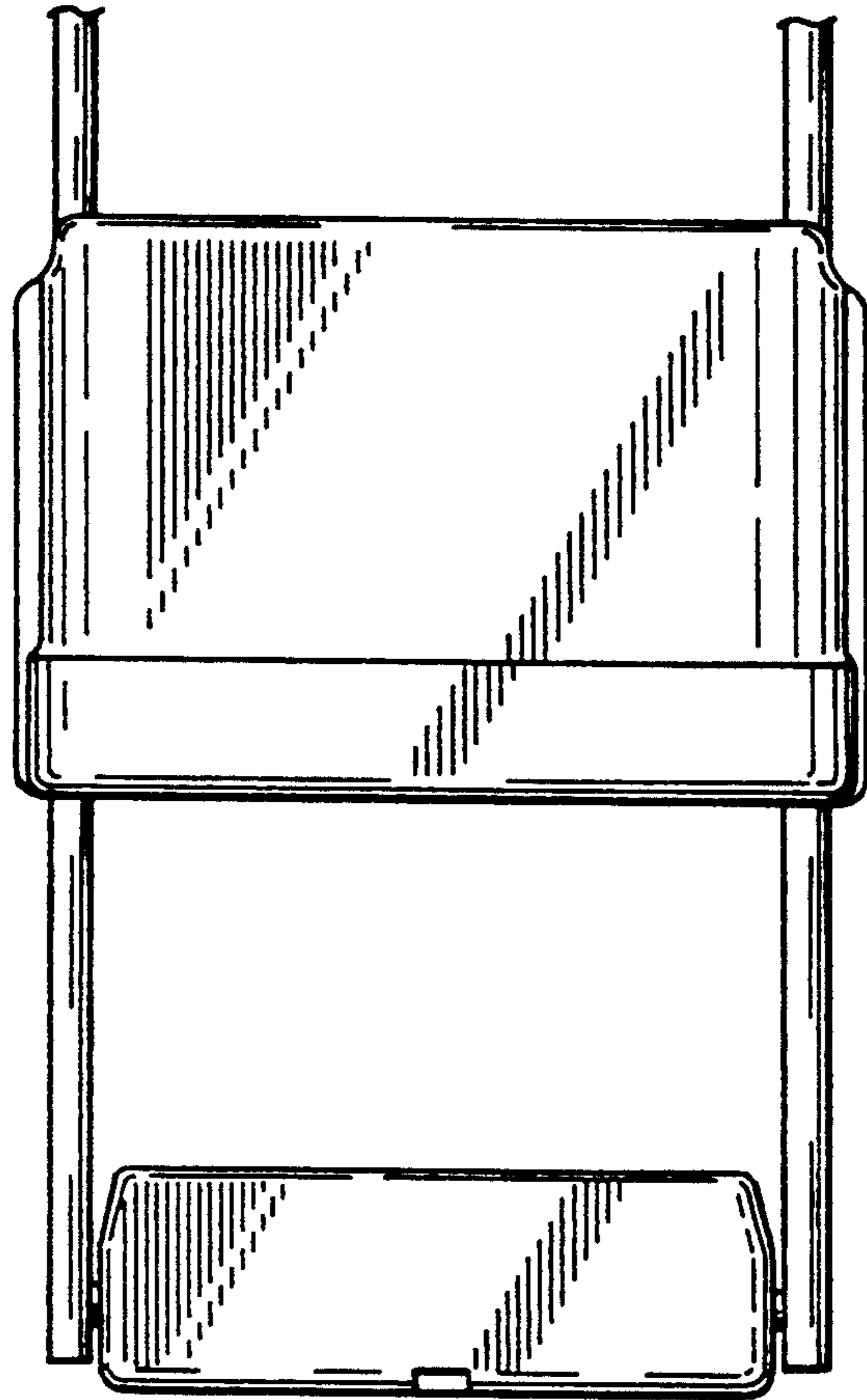


FIG. 5

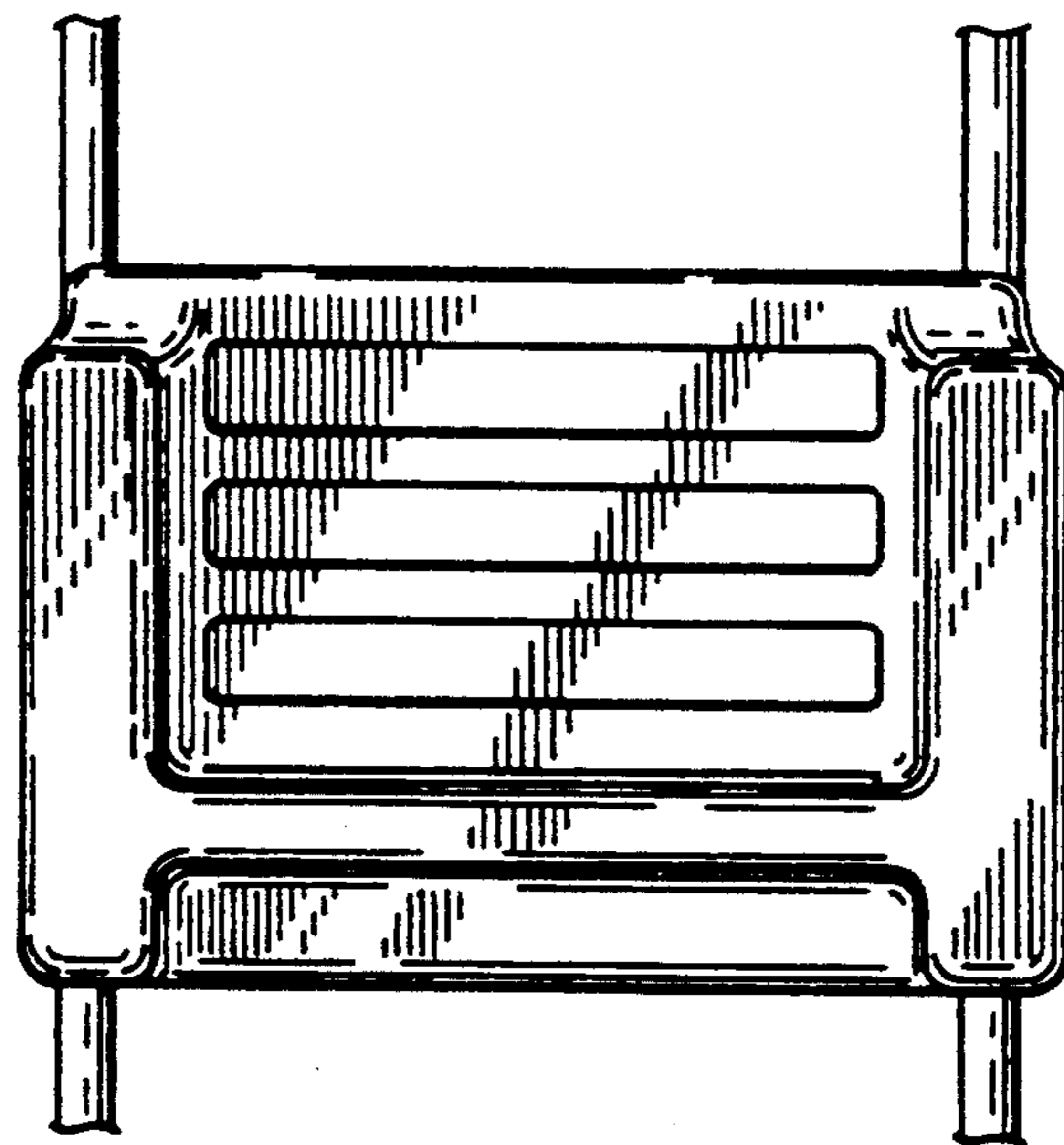


FIG. 6