



US00D341947S

United States Patent [19]

Marshall et al.

[11] Patent Number: **Des. 341,947**

[45] Date of Patent: **** Dec. 7, 1993**

[54] INDICATOR FOR GARMENT HANGERS

4,863,078 9/1989 Bengsch 223/85
4,886,195 12/1989 Blanchard 40/322

[75] Inventors: **David Marshall, East Doncaster;**
Joseph C. Hollis, East Bentleigh,
both of Australia

FOREIGN PATENT DOCUMENTS

[73] Assignee: **Plasti-form Enterprises Inc., Deer**
Park, N.Y.

4231878 6/1979 Australia .
4232078 6/1979 Australia .
5701180 3/1980 Australia .
5598880 6/1980 Australia .
1331383 11/1983 Australia .
2607784 3/1984 Australia .
3200884 8/1984 Australia .
3401816 1/1984 Fed. Rep. of Germany .
518708 3/1972 Switzerland .
2010774 7/1979 United Kingdom .

[**] Term: **14 Years**

[21] Appl. No.: **875,106**

[22] Filed: **Apr. 27, 1992**

Related U.S. Application Data

[63] Continuation of Ser. No. 741,462, Sep. 17, 1991, abandoned.

[52] U.S. Cl. **D6/328**

[58] Field of Search **D6/328; 40/322;**
116/200; 223/85

OTHER PUBLICATIONS

Hangers Catalog (date unknown); p. 10; model 448 bra/panty hanger.

Primary Examiner—B. J. Bullock
Attorney, Agent, or Firm—Scully, Scott, Murphy & Presser

[56] References Cited

U.S. PATENT DOCUMENTS

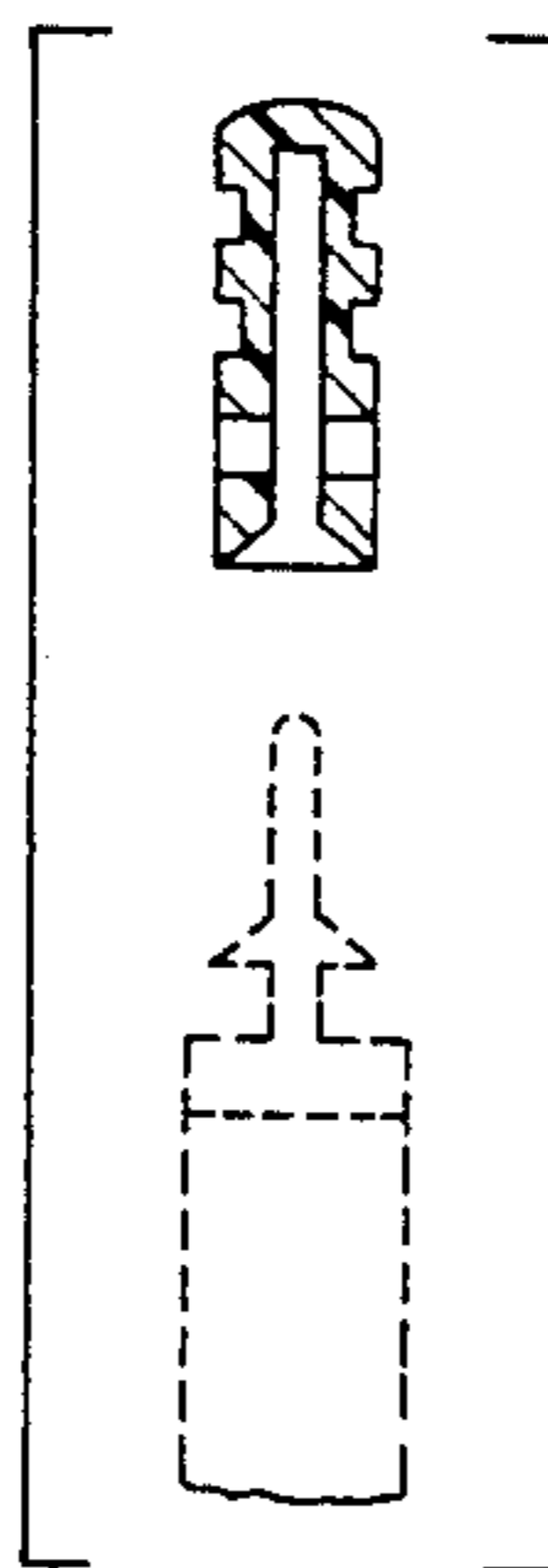
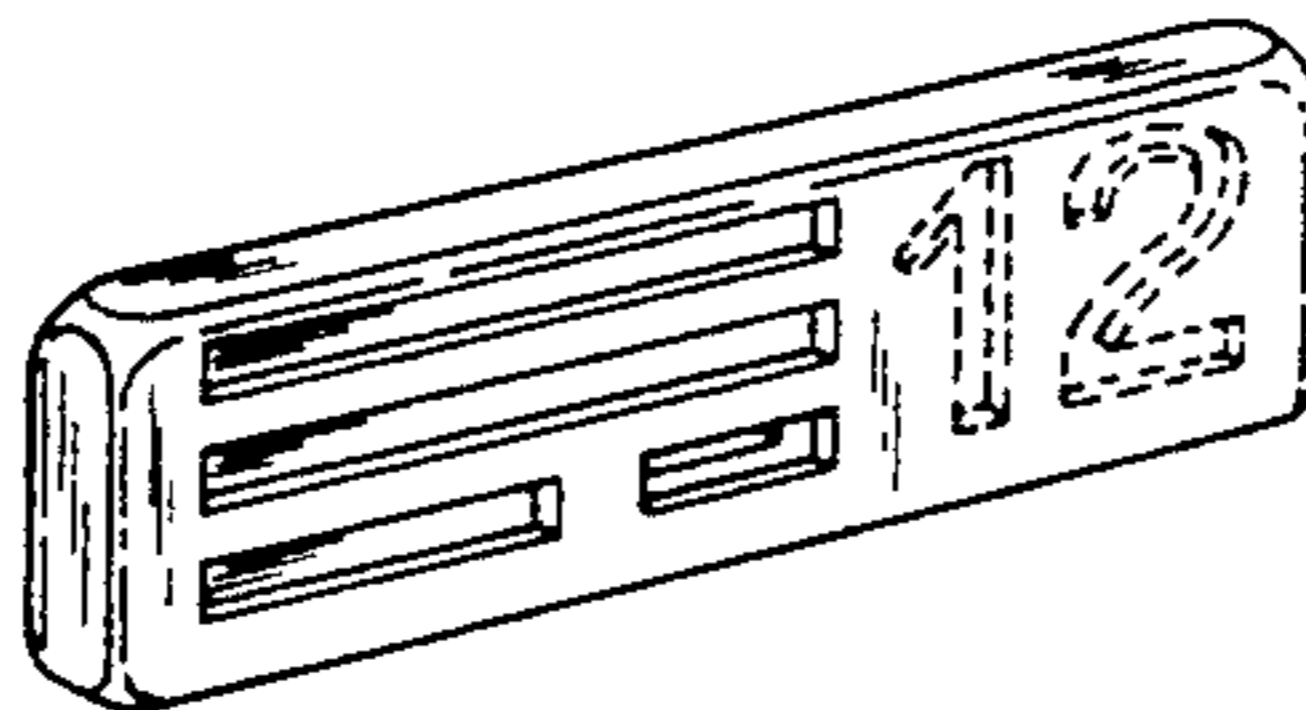
D. 192,845 5/1963 Cohen 40/322
D. 244,197 5/1977 Ostroll .
D. 264,912 6/1982 Bliss et al. .
D. 282,982 3/1986 Kodet D6/328
D. 302,214 7/1989 Wilson D6/318
3,024,953 2/1959 O'Keefe 223/88
3,535,808 10/1970 Morrish 40/322
3,949,914 4/1976 Ostroll 40/322
4,006,547 2/1977 Samuels et al. 40/322
4,045,899 9/1977 Richardson 40/322
4,115,940 9/1978 Phillips 40/322
4,137,661 2/1979 Johansson 40/322
4,322,902 4/1982 Lenthall 40/322
4,333,590 6/1982 Princiotta 223/85
4,450,395 5/1984 Duester 40/322
4,714,156 12/1987 Kolton et al. 40/322

[57] CLAIM

The ornamental design for an indicator for garment hangers, as shown and described.

DESCRIPTION

FIG. 1 is a perspective view of an indicator for garment hangers, showing our new design, the reverse side being a mirror image thereof, the portion of the hanger bar and the numerals shown in broken lines are for illustrative purposes only;
FIG. 2 is an enlarged perspective view of our indicator for garment hangers, the numerals shown in broken lines are for illustrative purposes only;
FIG. 3 is an exploded, enlarged sectional view taken in the direction of line 3—3 of FIG. 1; and,
FIG. 4 is an enlarged transverse sectional view of FIG. 1.



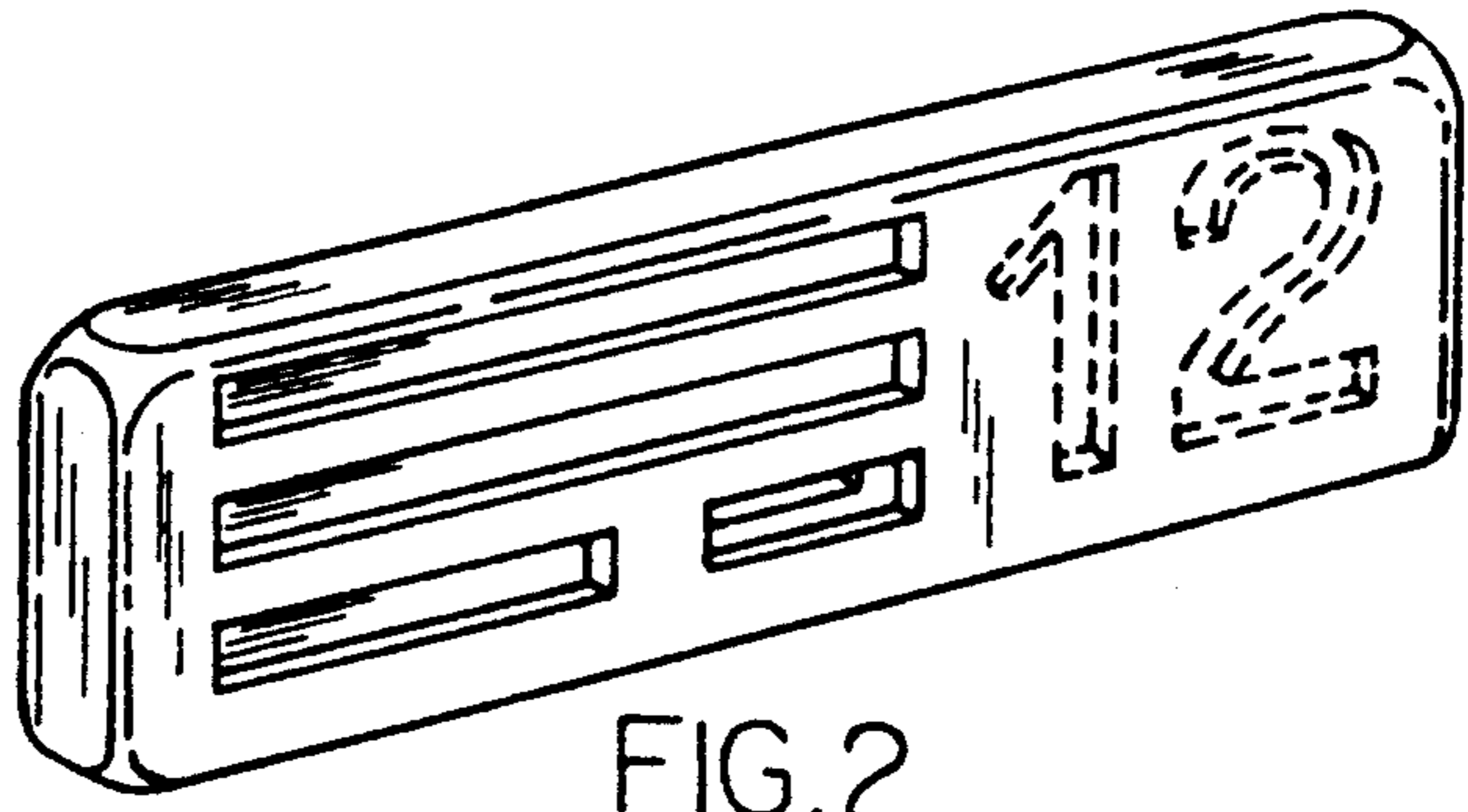


FIG. 2

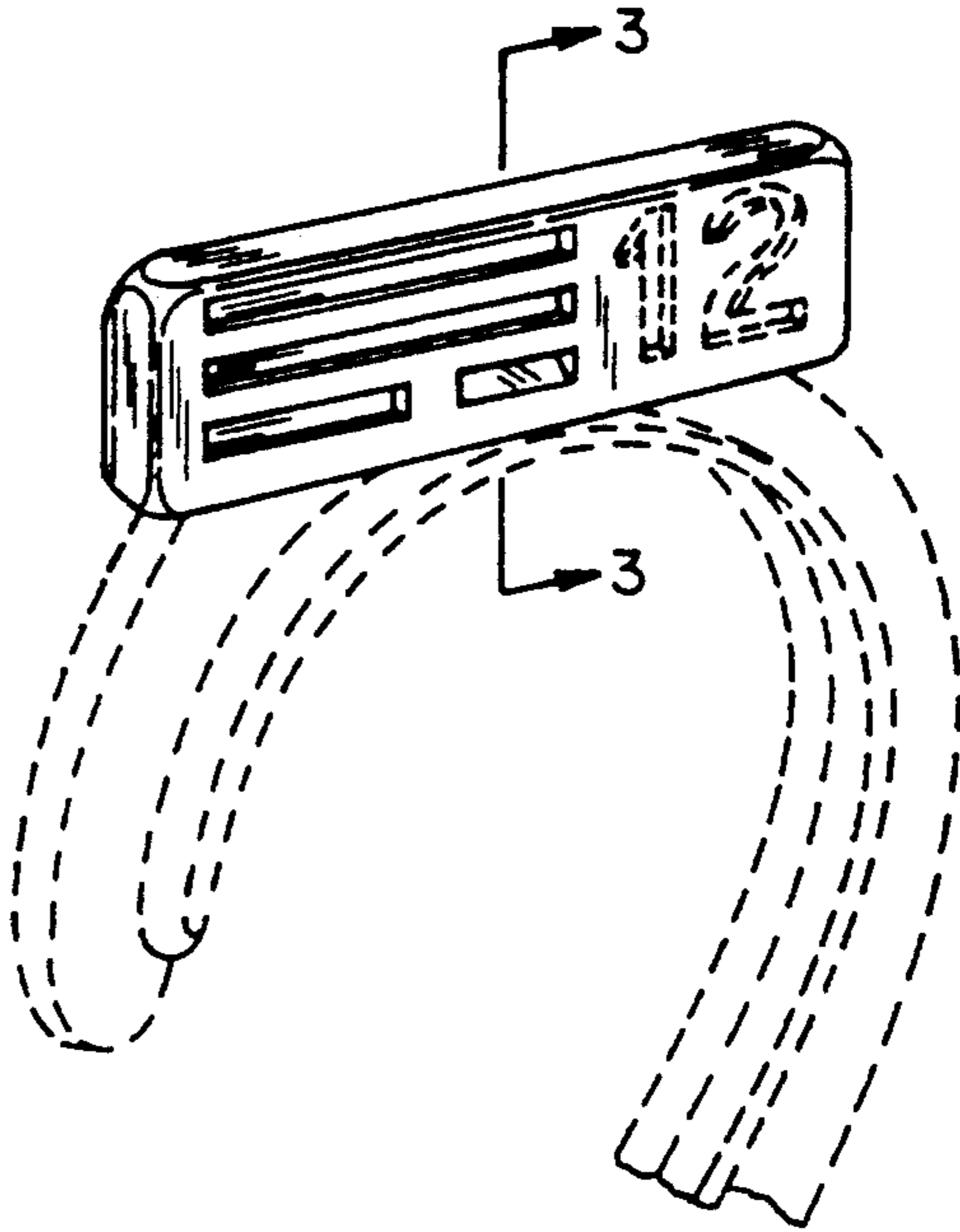


FIG. 1

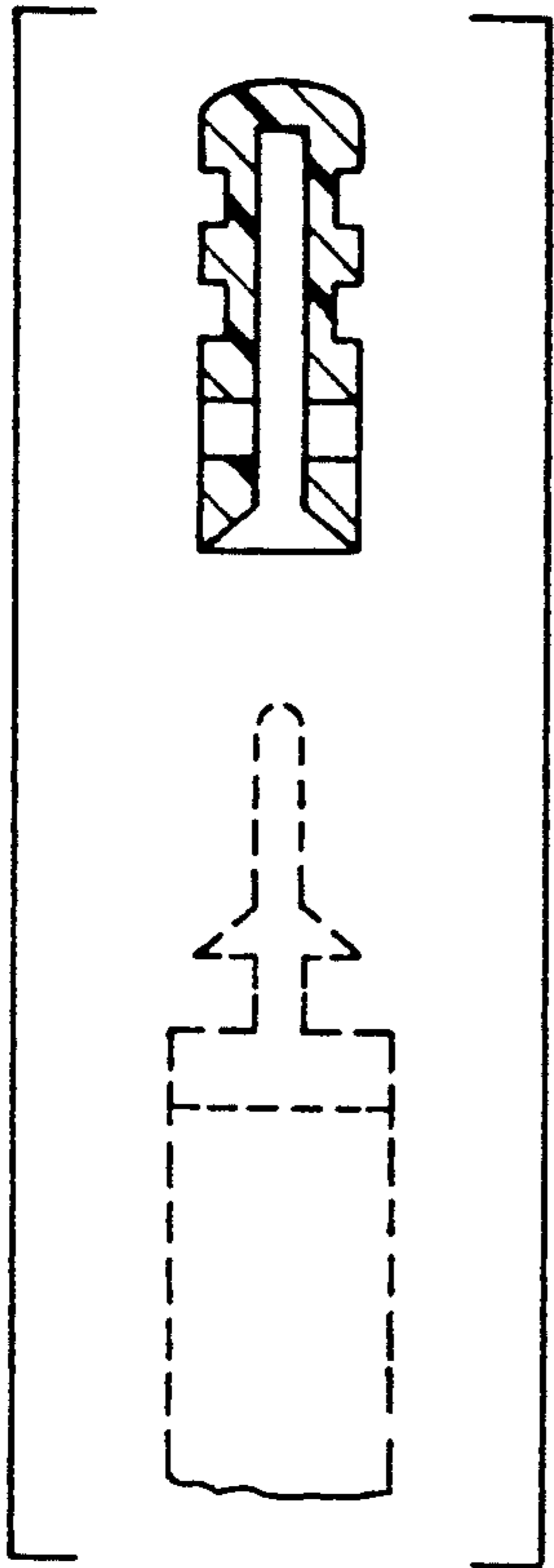


FIG. 3

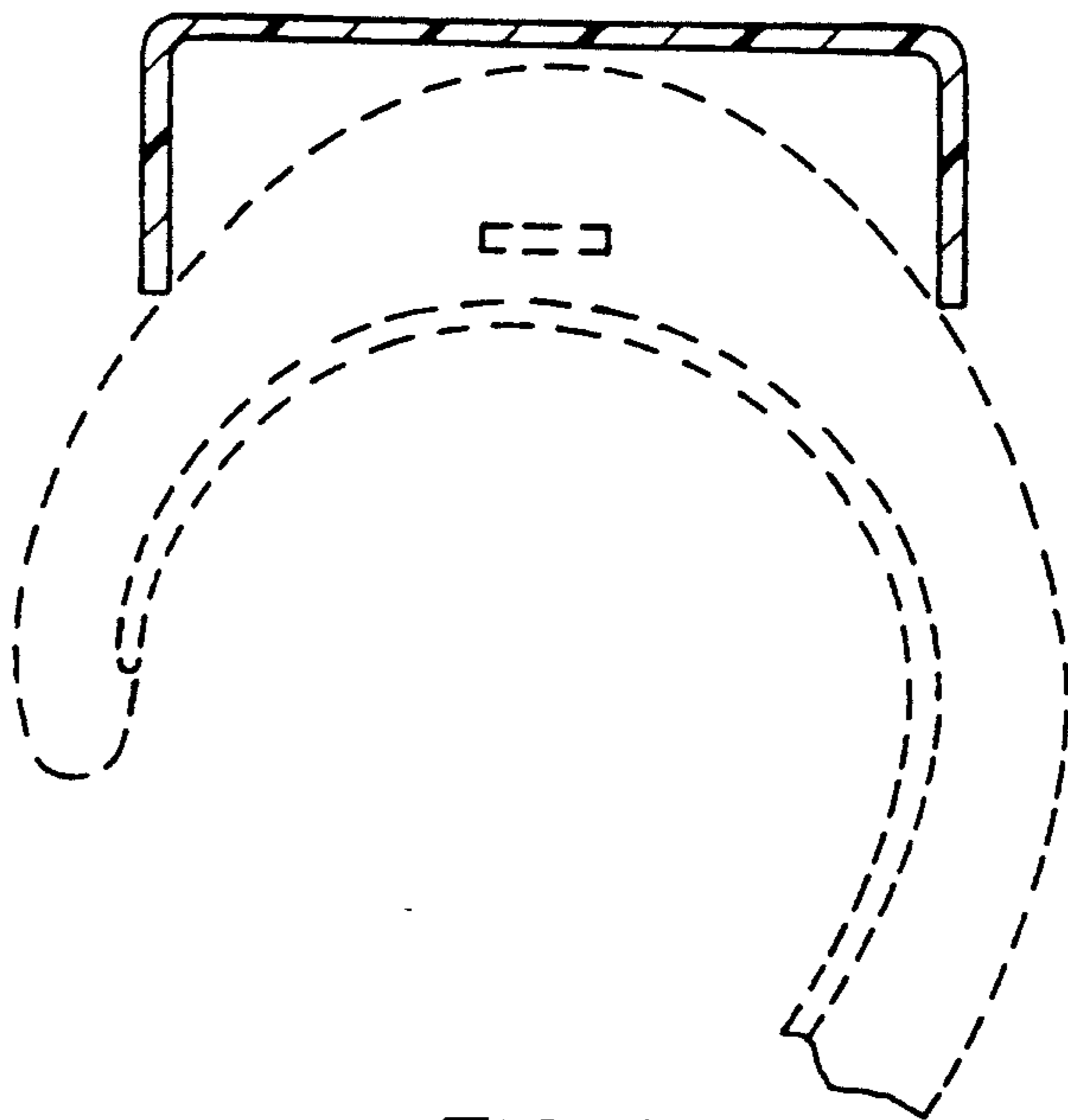


FIG. 4