



US00D341945S

United States Patent [19]

[11] Patent Number: **Des. 341,945**

Connor et al.

[45] Date of Patent: **** Dec. 7, 1993**

[54] **COMBINED DISPLAY UNIT AND STAND THEREFOR**

4,979,619 12/1990 Hager 40/156

[75] Inventors: **John K. Connor; Charles M. Connor, Jr.; H. B. Stroup, Jr.**, all of Asheville, N.C.

Primary Examiner—Bernard Ansher
Assistant Examiner—Adir Aronovich
Attorney, Agent, or Firm—Ralph H. Dougherty

[73] Assignee: **Collector's Products Corporation**, Asheville, N.C.

[57] **CLAIM**

The ornamental design for a combined display unit and stand therefor, as shown and described.

[**] Term: **14 Years**

DESCRIPTION

[21] Appl. No.: **566,718**

[22] Filed: **Aug. 13, 1990**

Related U.S. Application Data

[63] Continuation-in-part of Ser. No. 376,816, Jul. 7, 1989, and a continuation-in-part of Ser. No. 377,009, Jul. 7, 1989.

[52] U.S. Cl. **D6/311; D6/300**

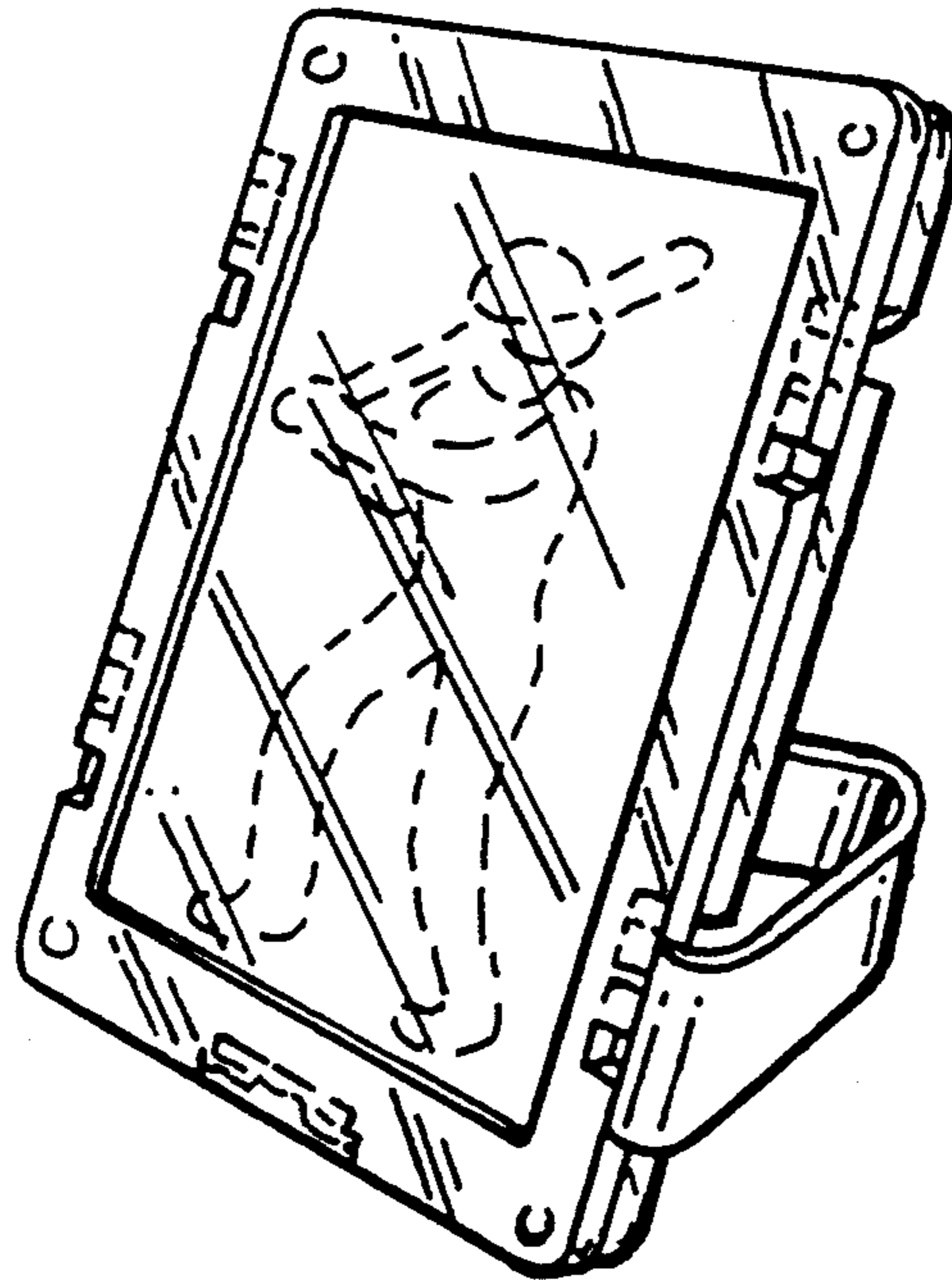
[58] Field of Search **D6/300-314; D11/132, 133; 40/152, 152.1, 661; 206/45.18, 45.31**

FIG. 1 is an isometric view of a combined display and stand therefor showing our new design;
FIG. 2 is a front elevational view thereof, with the support omitted for ease of illustration;
FIG. 3 is a side elevational view thereof, the opposite side being a mirror image of the side shown;
FIG. 4 is a bottom plan thereof;
FIG. 5 is a rear elevational view thereof;
FIG. 6 is a side elevational view thereof, the opposite side being a mirror image of the side shown;
FIG. 7 is a bottom plan view of the display unit shown in FIG. 5;
FIG. 8 is a side elevational view of a combined display unit and a stand shown in FIG. 1;
FIG. 9 is a side elevational view thereof in an alternative position;
FIG. 10 is a top plan view thereof the stand being in a vertical position; and,
FIG. 11 is a modified embodiment of a front elevational view of the display unit shown in FIG. 5.

References Cited

U.S. PATENT DOCUMENTS

D. 326,364	5/1992	Harper	D6/300
2,968,884	1/1961	Anastasio et al.	40/152
4,443,959	4/1984	Ackeret	40/152
4,691,456	9/1987	Ackeret	206/45.31
4,829,691	5/1989	Manjos et al.	40/661



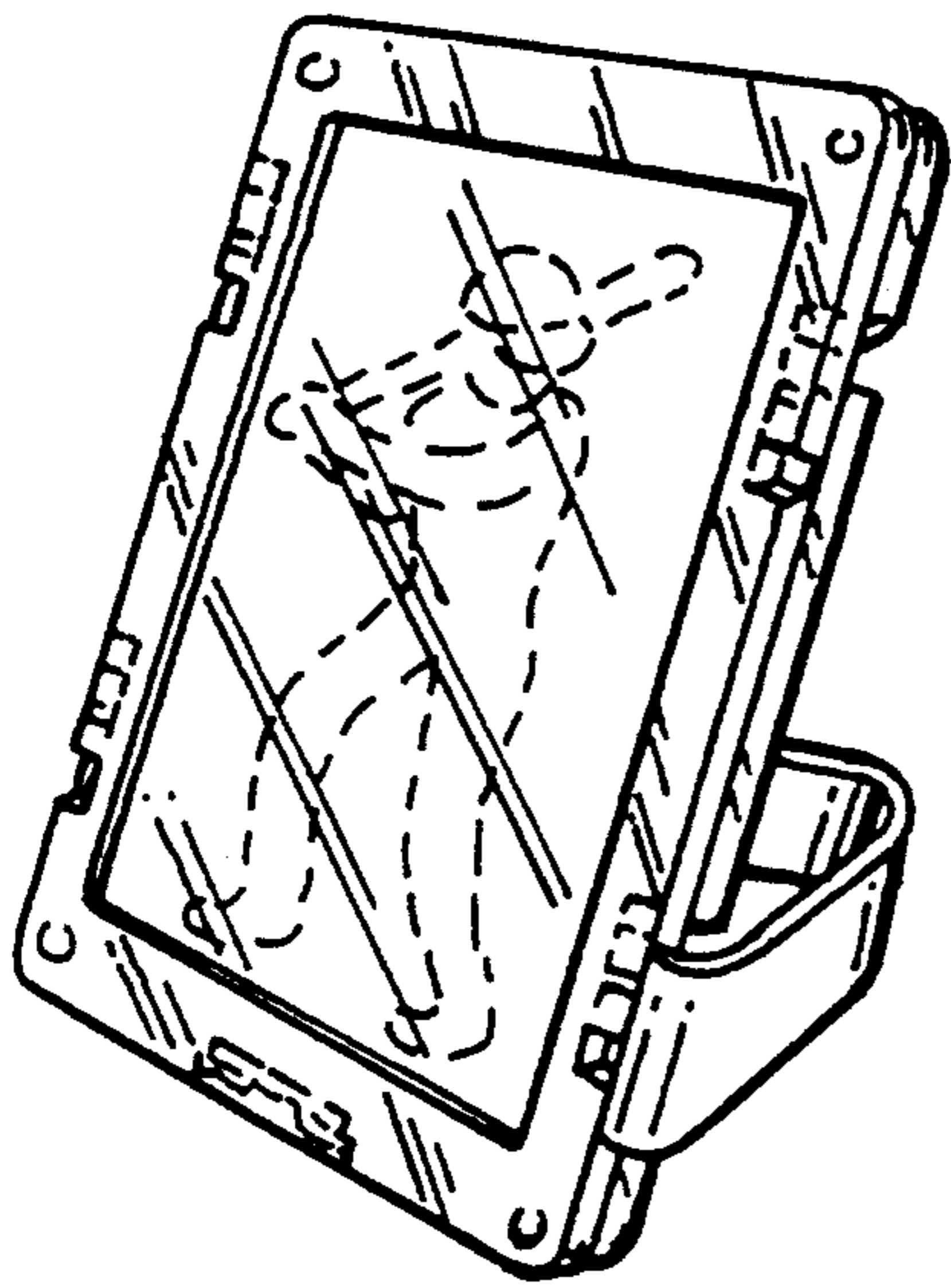


Fig. 1

Fig. 2

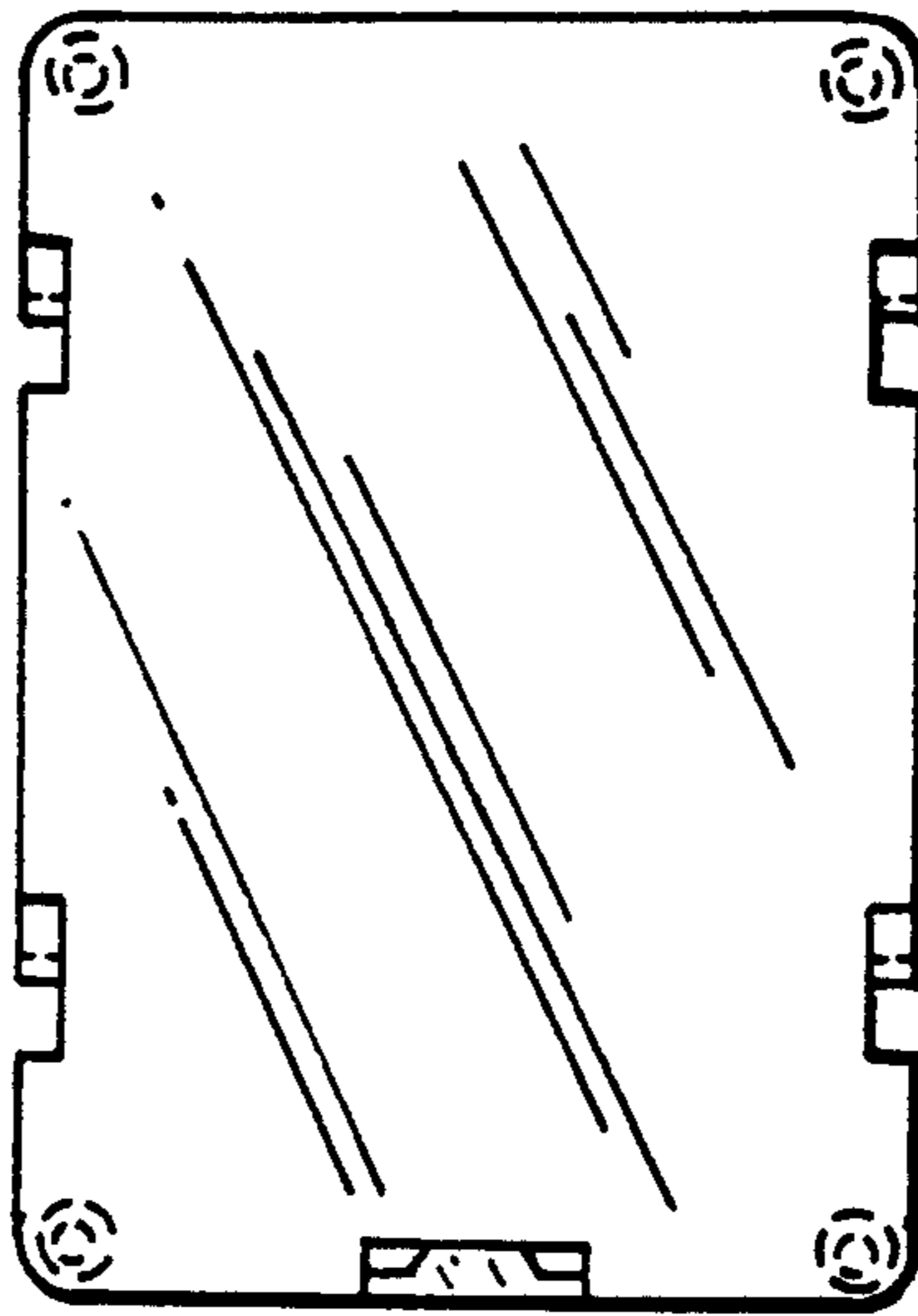


Fig. 3



Fig. 4
Fig. 5

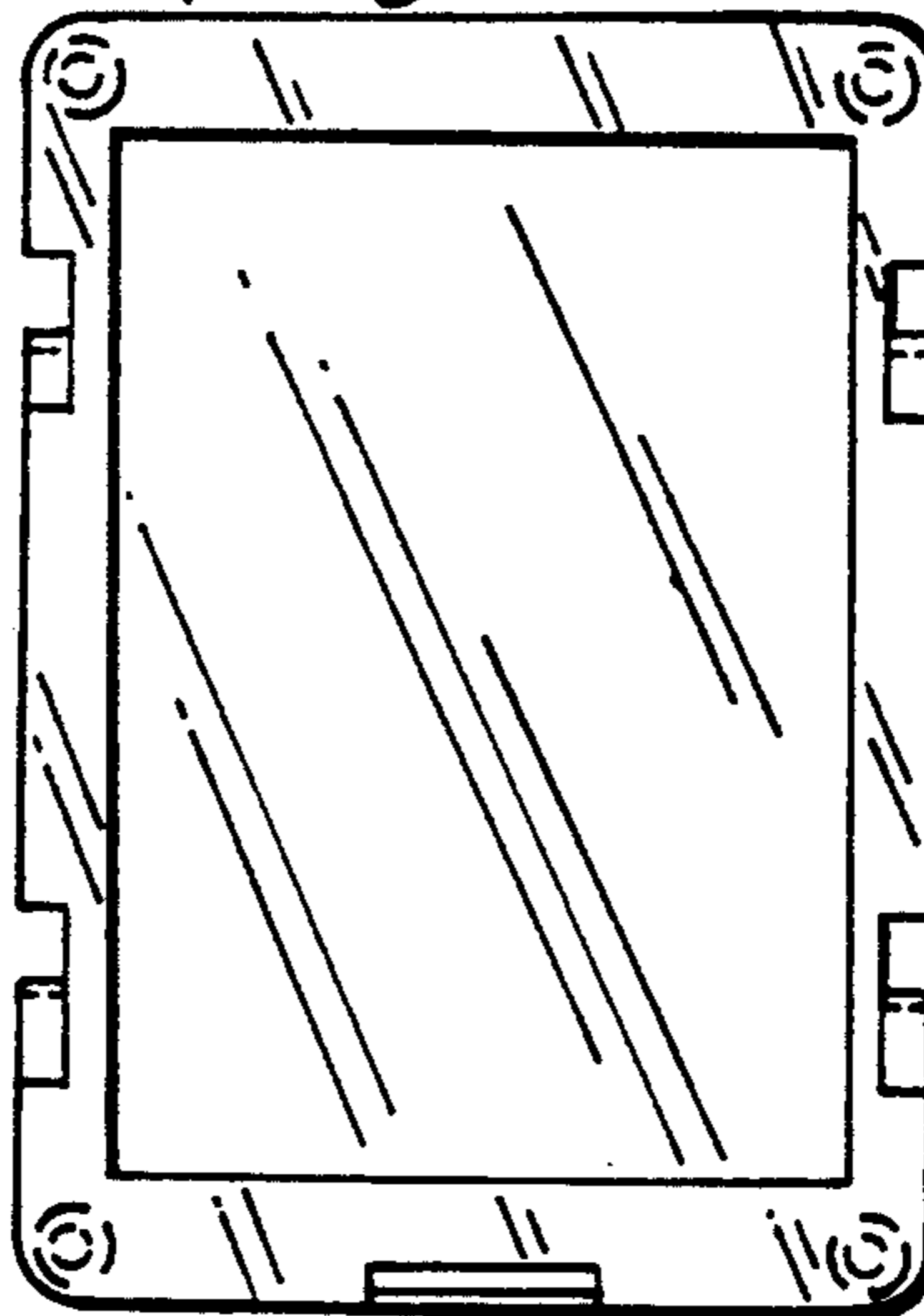


Fig. 6

Fig. 7



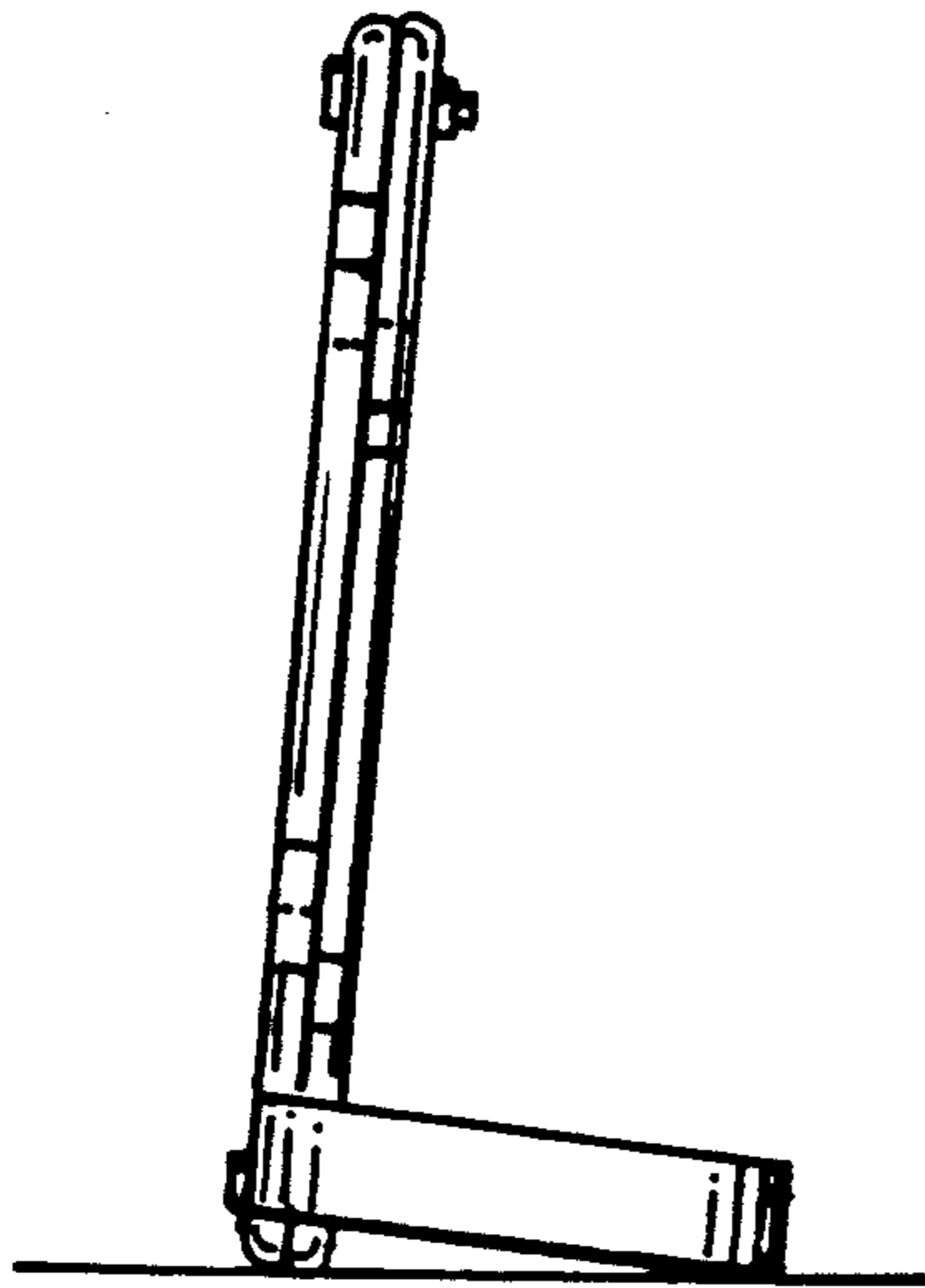


Fig. 8

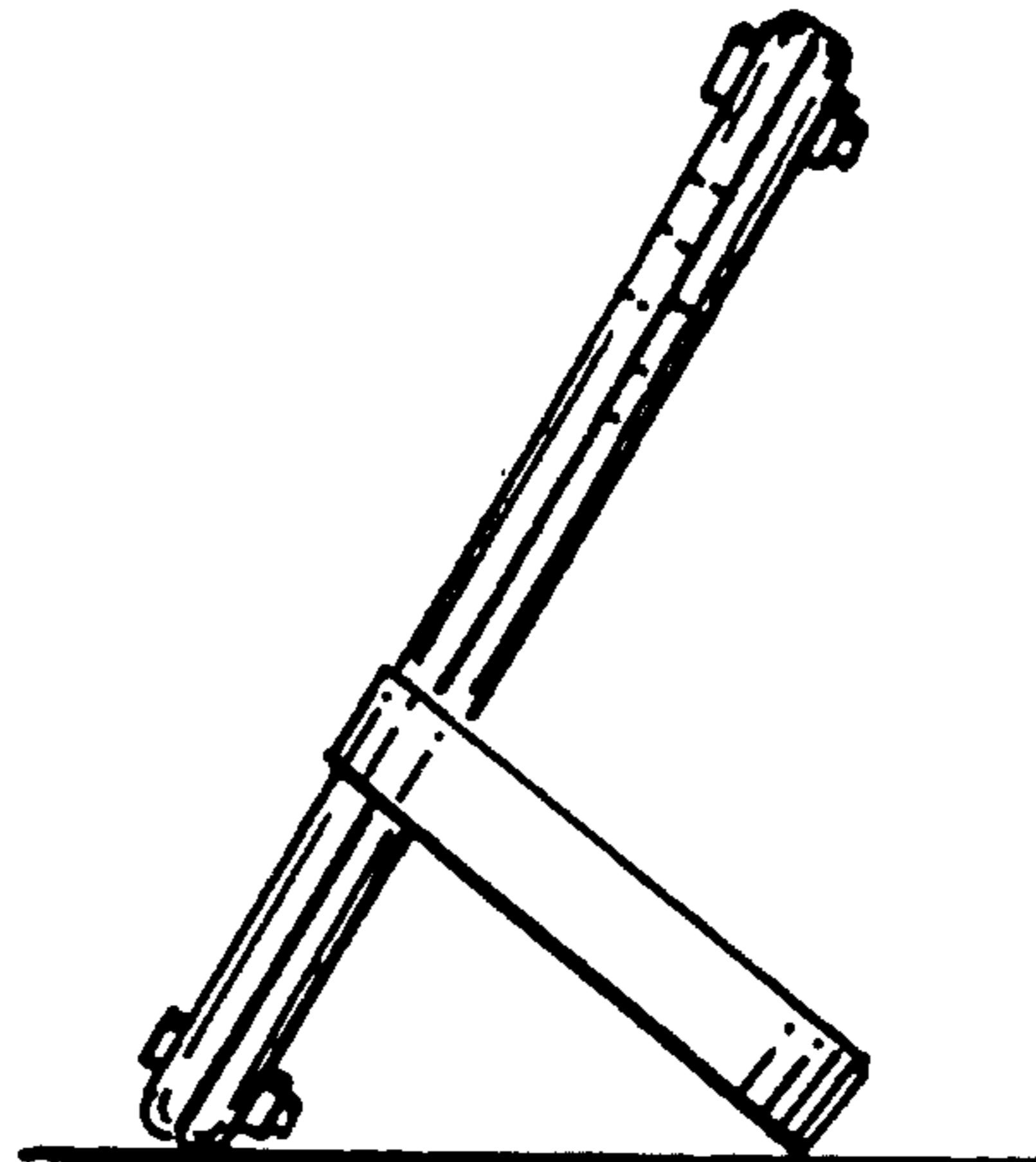


Fig. 9

Fig. 10

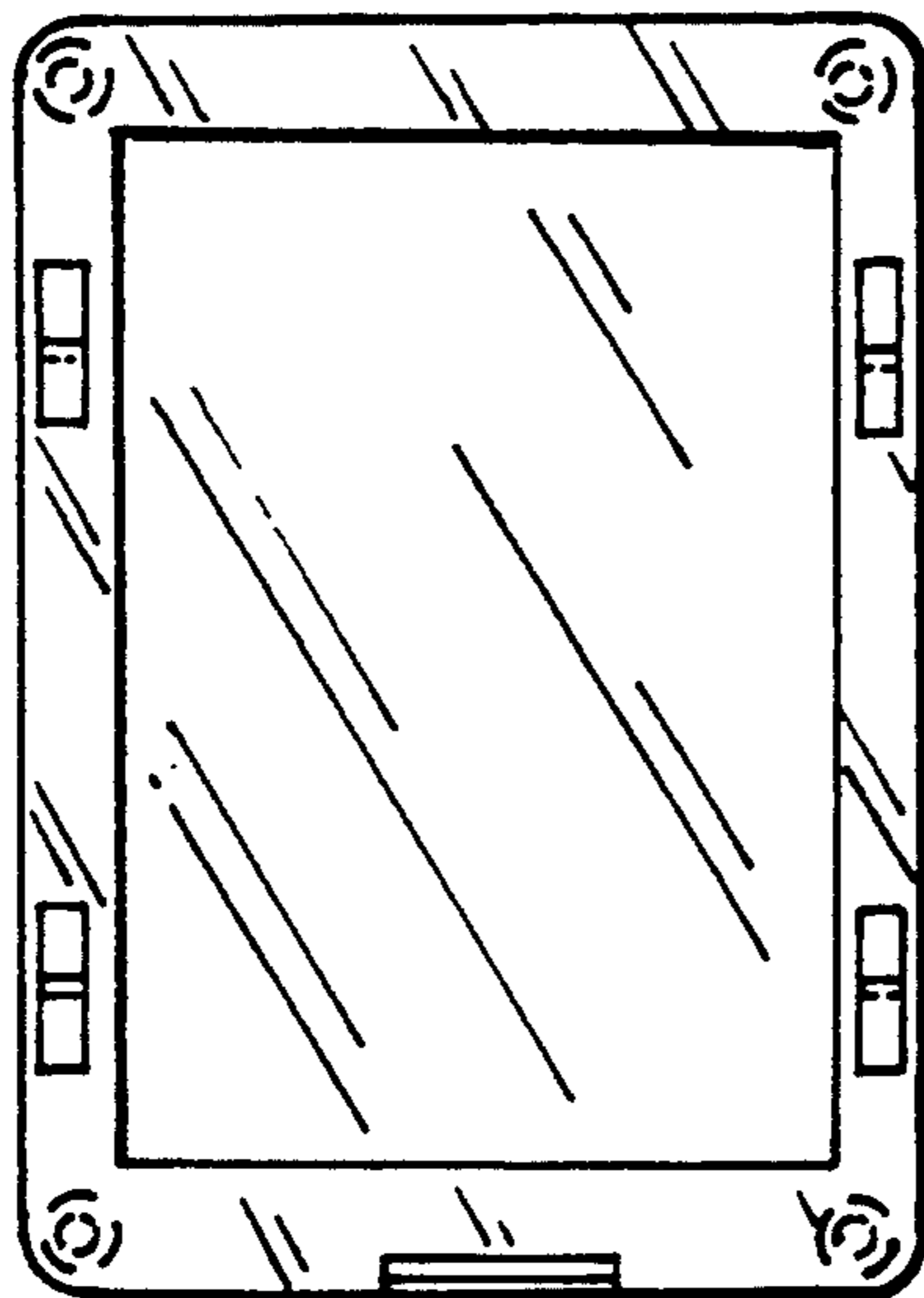
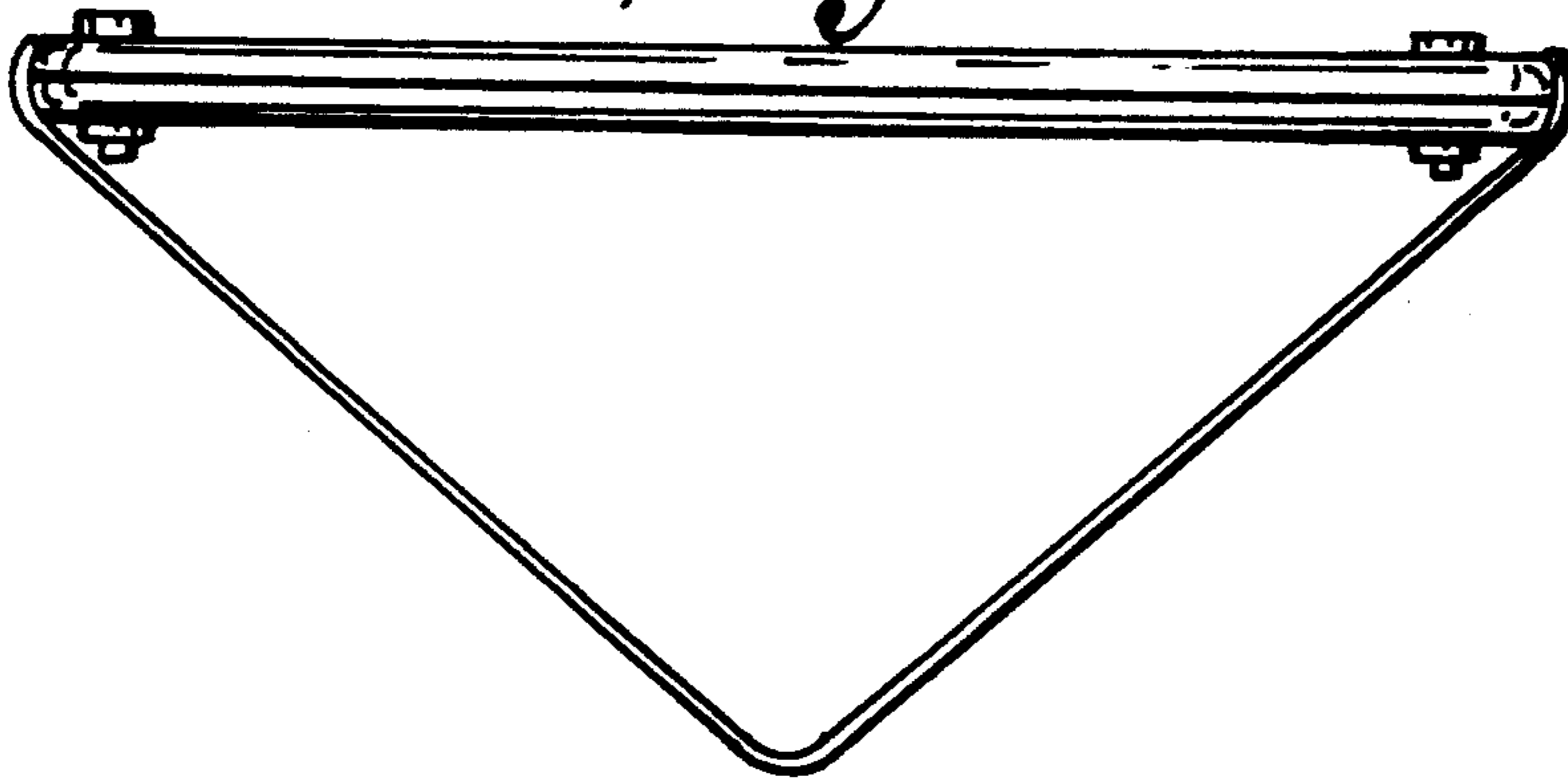


Fig. 11