



US00D341922S

United States Patent [19] Stocks

[11] Patent Number: **Des. 341,922**

[45] Date of Patent: **** Dec. 7, 1993**

[54] **BIB**

[76] Inventor: **Teresa L. Stocks**, 1902 Adams St.,
Navarre, Fla. 32566

[**] Term: **14 Years**

[21] Appl. No.: **838,008**

[22] Filed: **Feb. 21, 1992**

[52] U.S. Cl. **D2/861**

[58] Field of Search **D2/225, 226, 227; 2/46,**
2/47, 48, 49 R, 53, 54, 55, 56, 104; 450/102, 103

4,631,752 12/1986 Heyman et al. 2/56
4,787,009 11/1988 Mack .

Primary Examiner—A. Hugo Word
Assistant Examiner—Celia A. Murphy
Attorney, Agent, or Firm—Terry M. Gernstein

[57] **CLAIM**

The ornamental design for a bib, as shown and described.

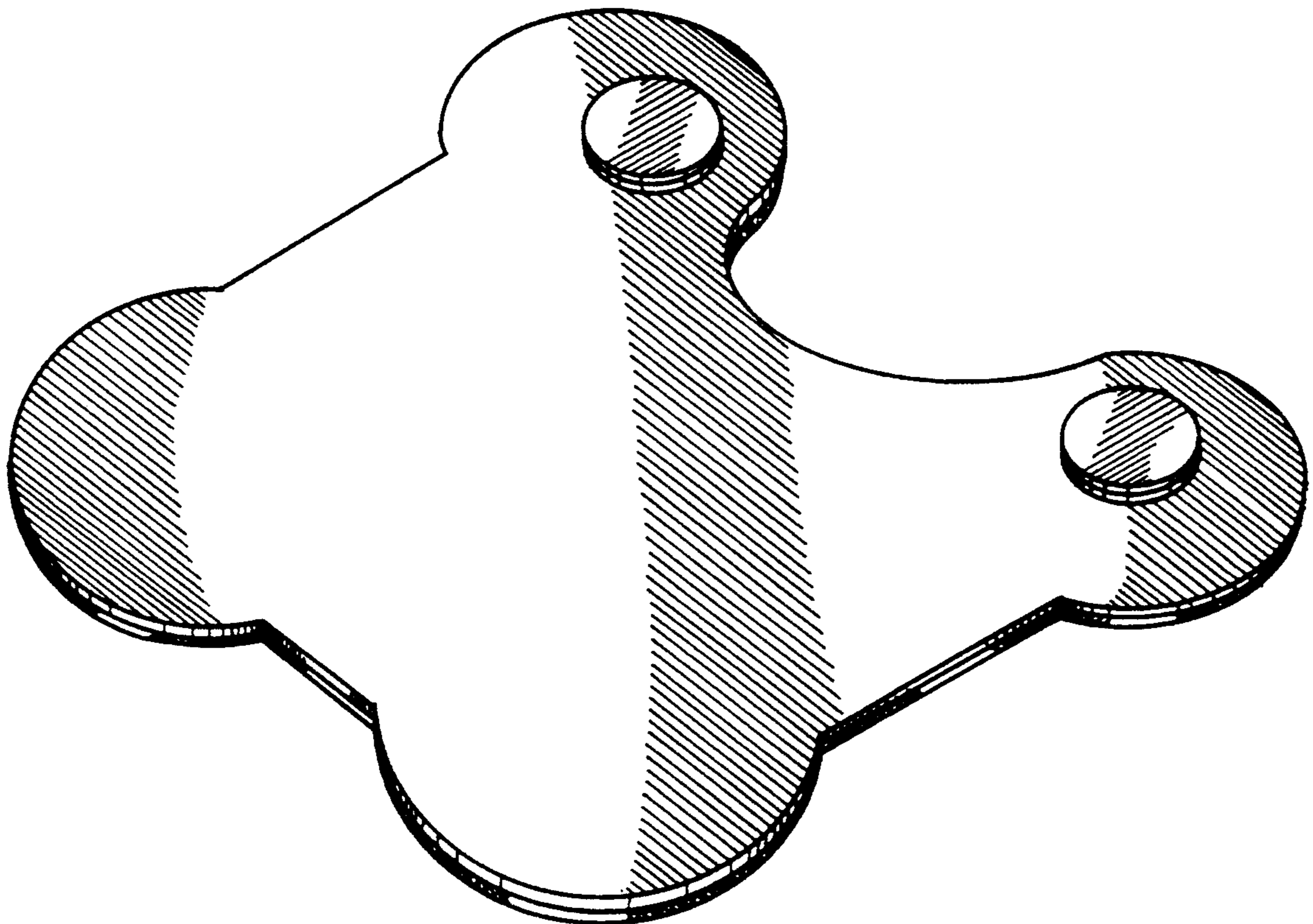
DESCRIPTION

FIG. 1 is a perspective view of a bib showing our new design;
FIG. 2 is a front elevational view thereof;
FIG. 3 is a rear elevational view thereof;
FIG. 4 is a left side elevational view thereof, the right side being a mirror image;
FIG. 5 is a top plan view thereof; and,
FIG. 6 is a bottom plan view thereof.

[56] **References Cited**

U.S. PATENT DOCUMENTS

D. 169,928	6/1953	Vece	D2/227
2,258,946	10/1941	Chadwick	D2/225
4,423,523	1/1984	Bodner et al.	2/48
4,620,323	11/1986	Tepper .	
4,622,698	11/1986	Heyman et al. .	



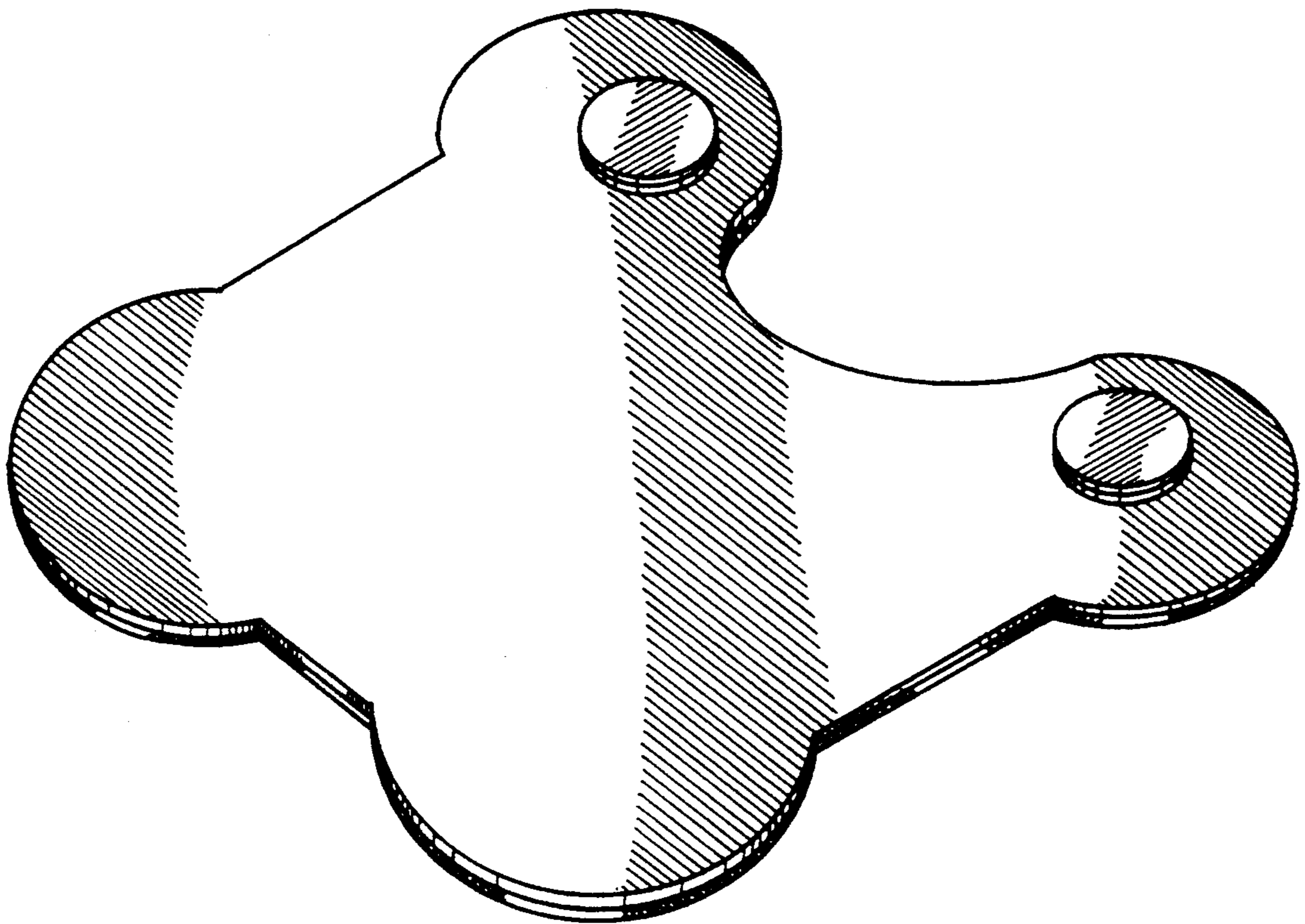


FIG. 1.

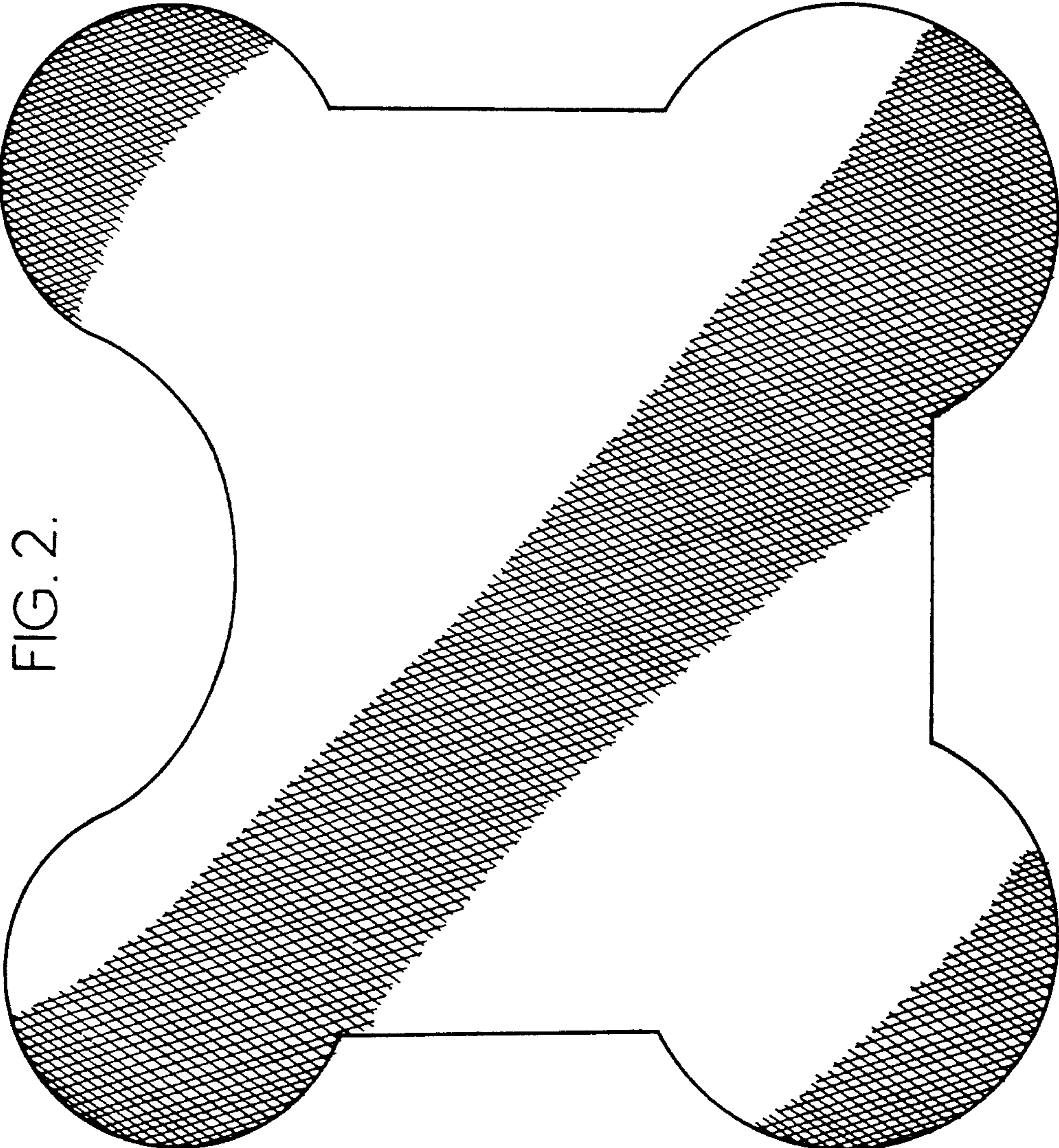


FIG. 2.



FIG. 5.



FIG. 6.

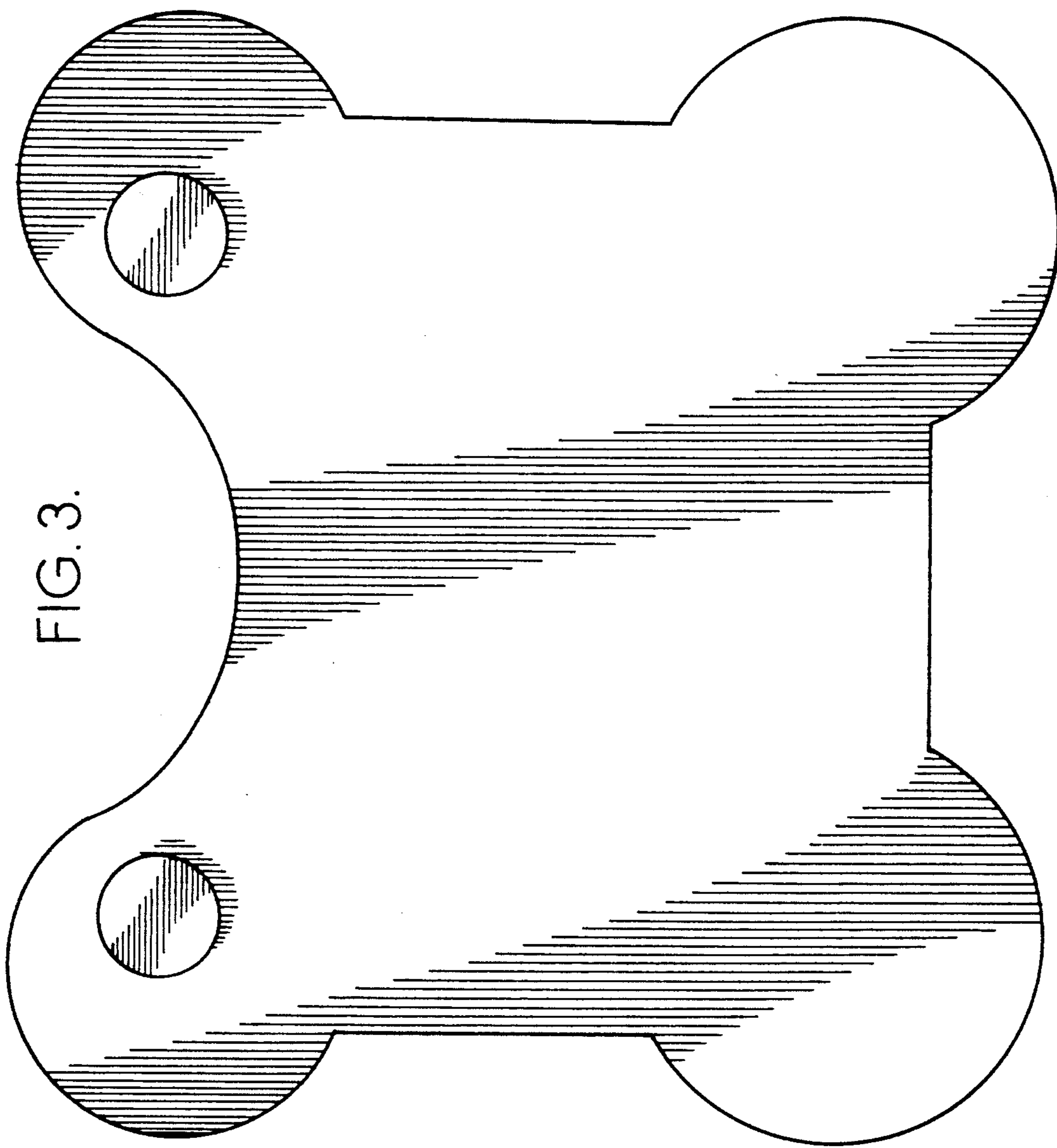


FIG. 3.

FIG. 4.

