



US00D341916S

United States Patent [19]

[11] Patent Number: Des. 341,916

James

[45] Date of Patent: ** Nov. 30, 1993

[54] SAFETY FIRST MAILBOX

[76] Inventor: Stephen A. James, 375 Rte. 32 South, New Paltz, N.Y. 12561

[**] Term: 14 Years

[21] Appl. No.: 586,590

[22] Filed: Sep. 19, 1990

[52] U.S. Cl. D99/29

[58] Field of Search D99/29; 232/17, 34, 232/44, 43.1

[56] References Cited

U.S. PATENT DOCUMENTS

D. 253,435	11/1979	Hale	D99/29
922,181	5/1909	Ohlson	232/44
4,905,892	3/1990	Fischer	232/17

OTHER PUBLICATIONS

Symbol Sourcebook dated Jan. 7, 1972, p. 185 *Aries Sign*.

Primary Examiner—Alan P. Douglas
Assistant Examiner—J. H. Musgrove
Attorney, Agent, or Firm—Leon Gilden

[57] CLAIM

The ornamental design for a safety first mailbox, as shown and described.

DESCRIPTION

FIG. 1 is a front elevational view of the safety first mailbox showing my new design;
 FIG. 2 is a rear elevational view thereof;
 FIG. 3 is a left side elevational view thereof;
 FIG. 4 is a right side elevational view thereof;
 FIG. 5 is a top plan view thereof;
 FIG. 6 is a bottom plan view thereof;
 FIG. 7 is a perspective view thereof;
 FIG. 8 is a rear elevational view thereof;
 FIG. 9 is a left side elevational view thereof;
 FIG. 10 is a right side elevational view thereof;
 FIG. 11 is a top plan view thereof;
 FIG. 12 is a bottom plan view thereof; and,
 FIG. 13 is a perspective view thereof.

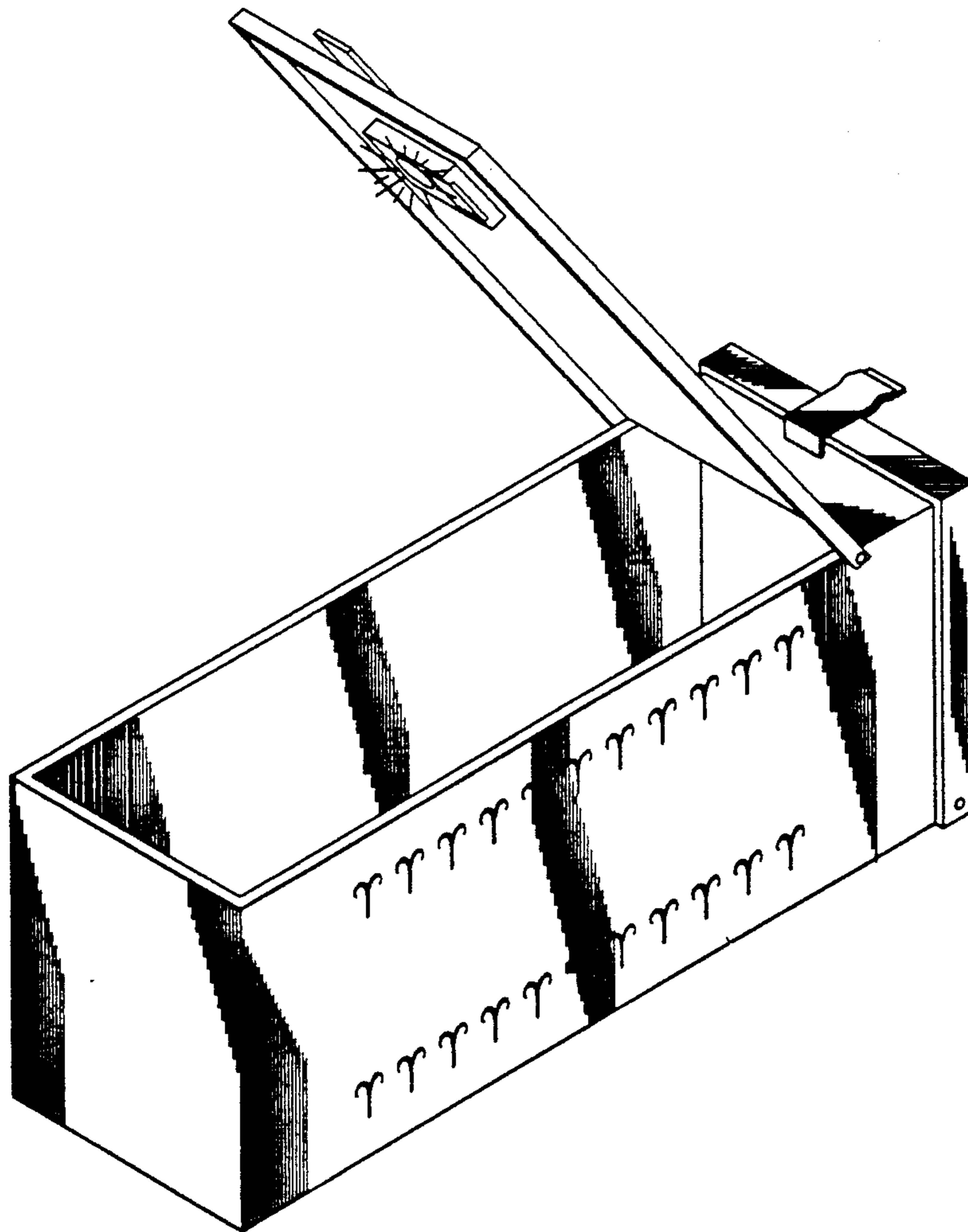


FIG. 1



FIG. 2

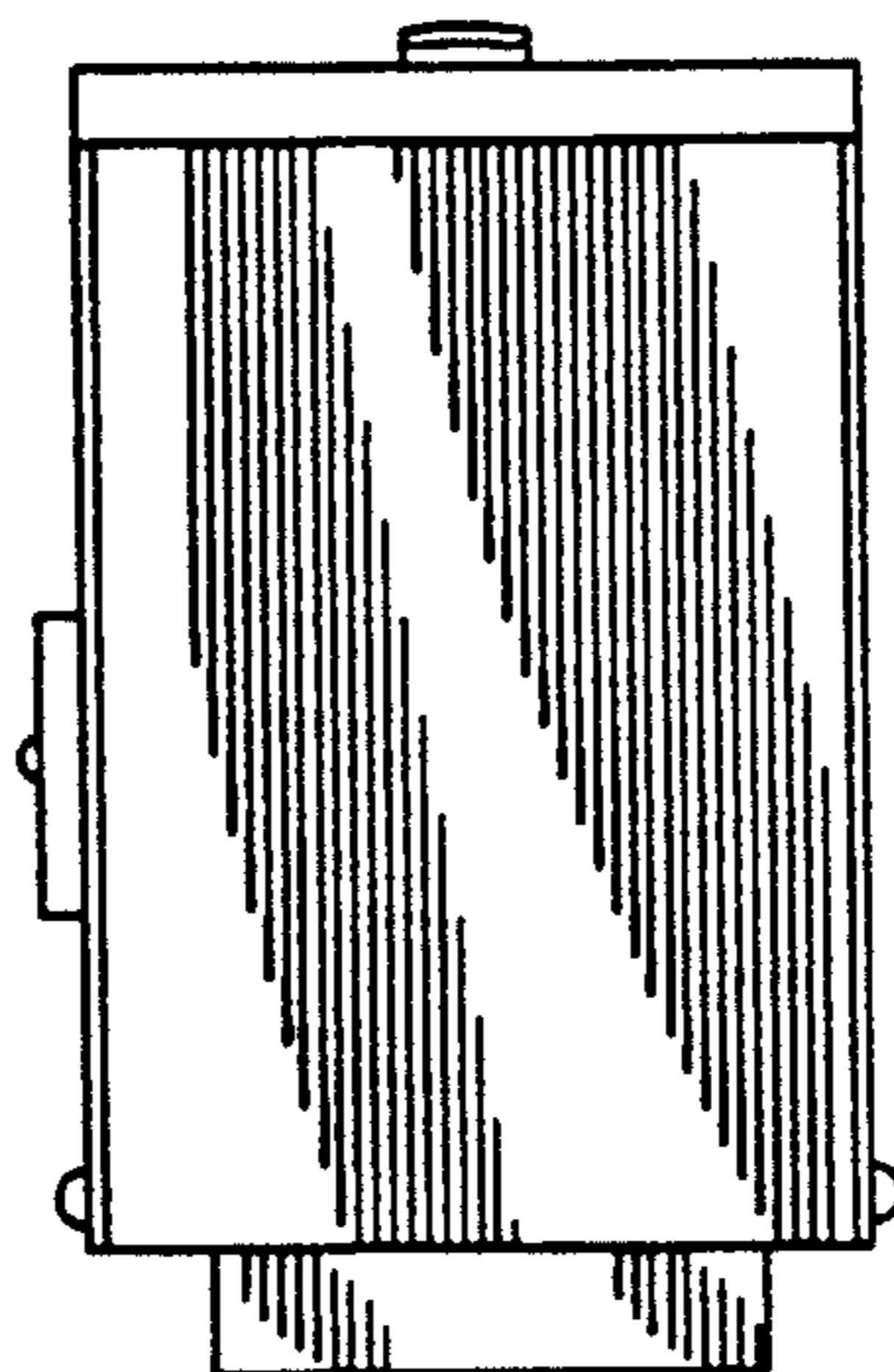


FIG. 3

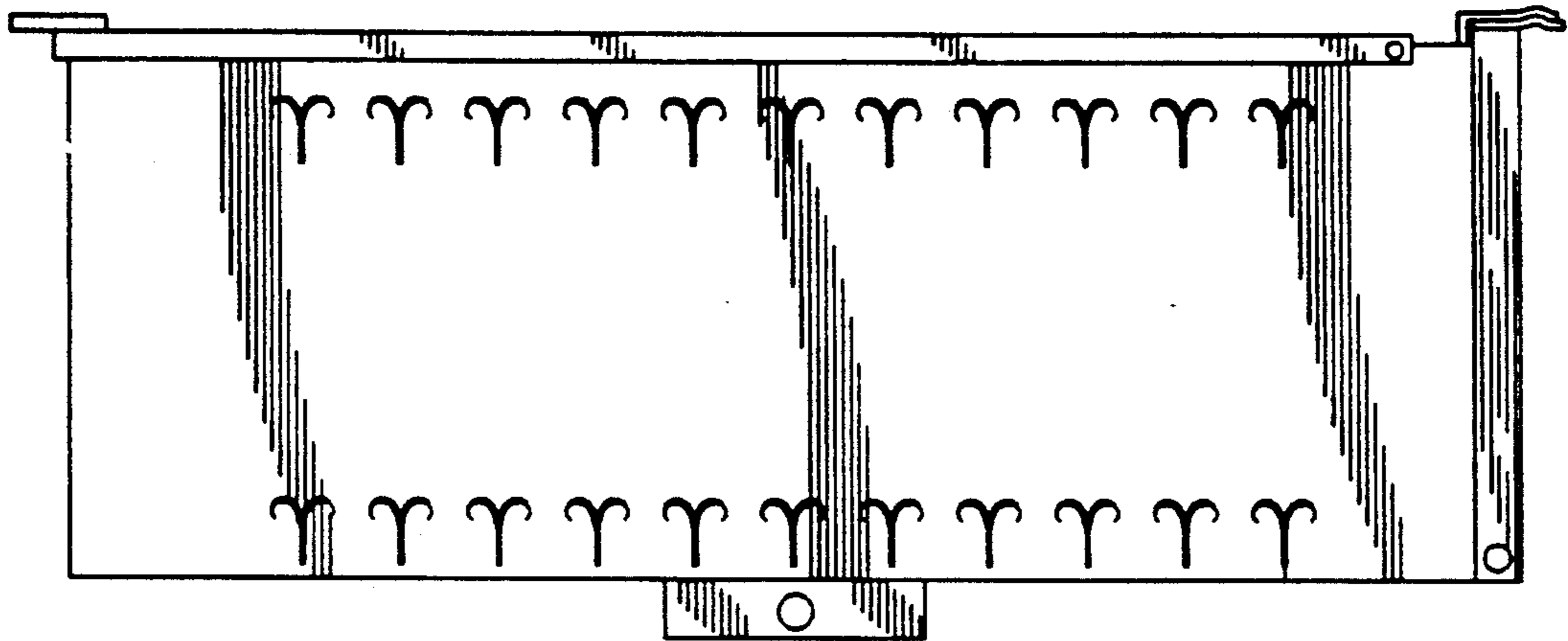


FIG. 4

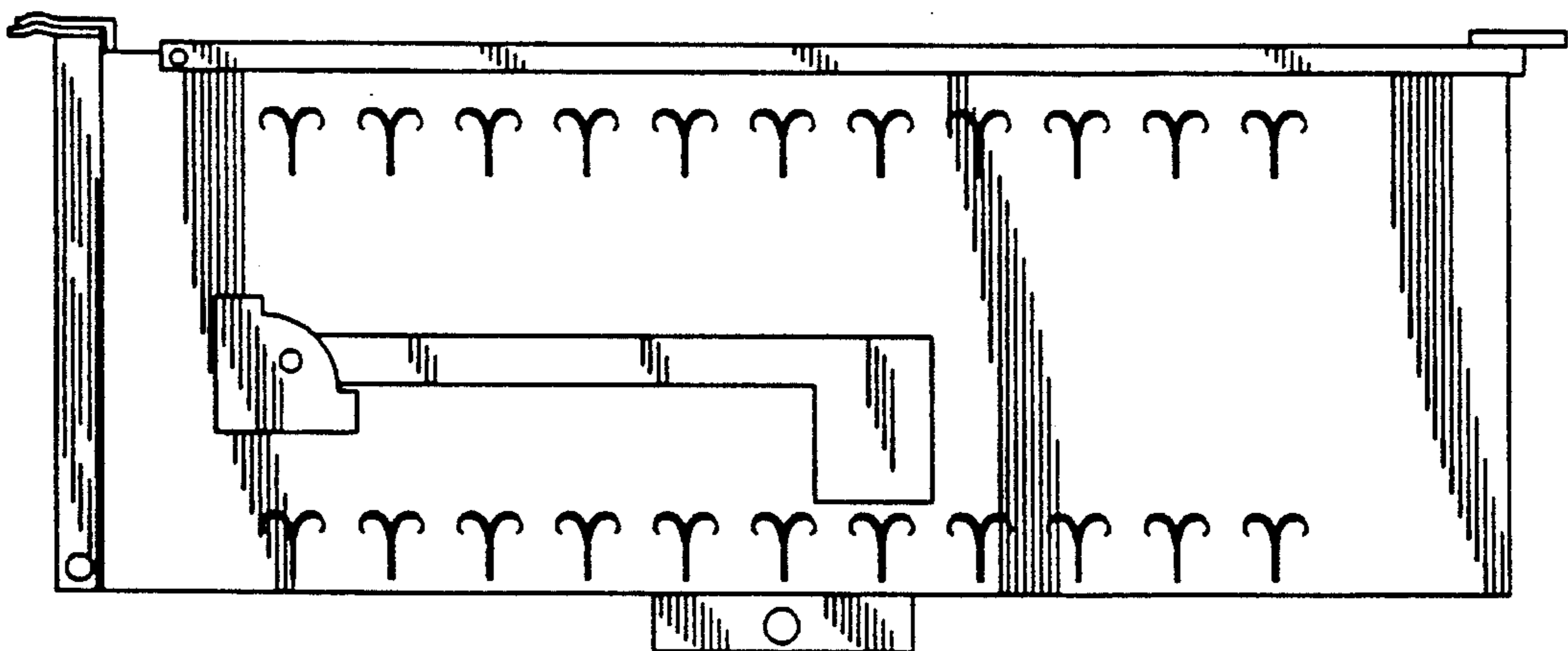


FIG. 5

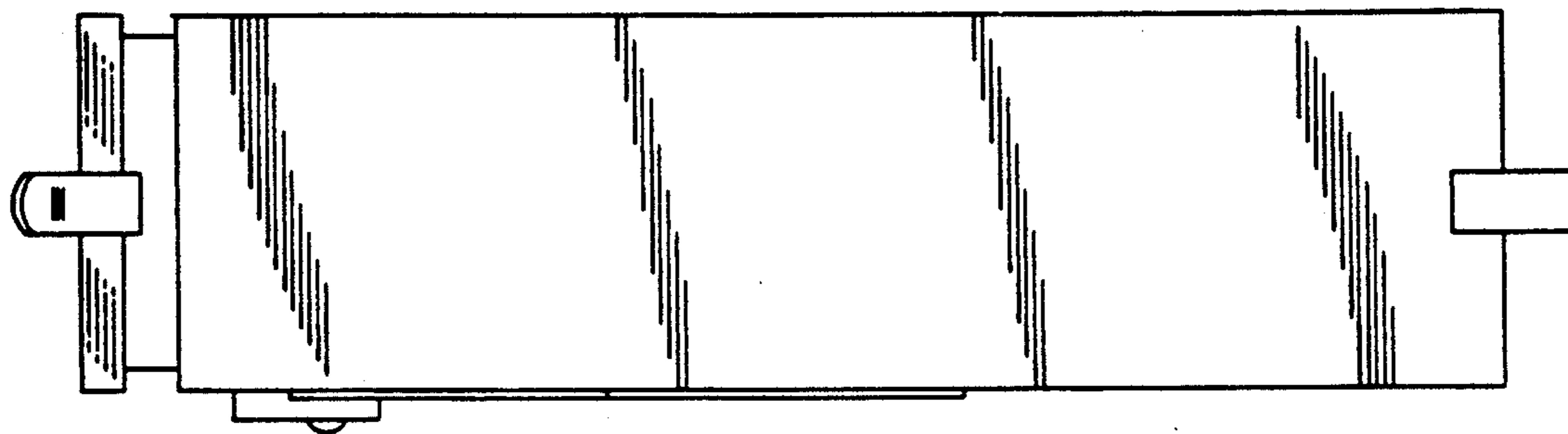


FIG. 6

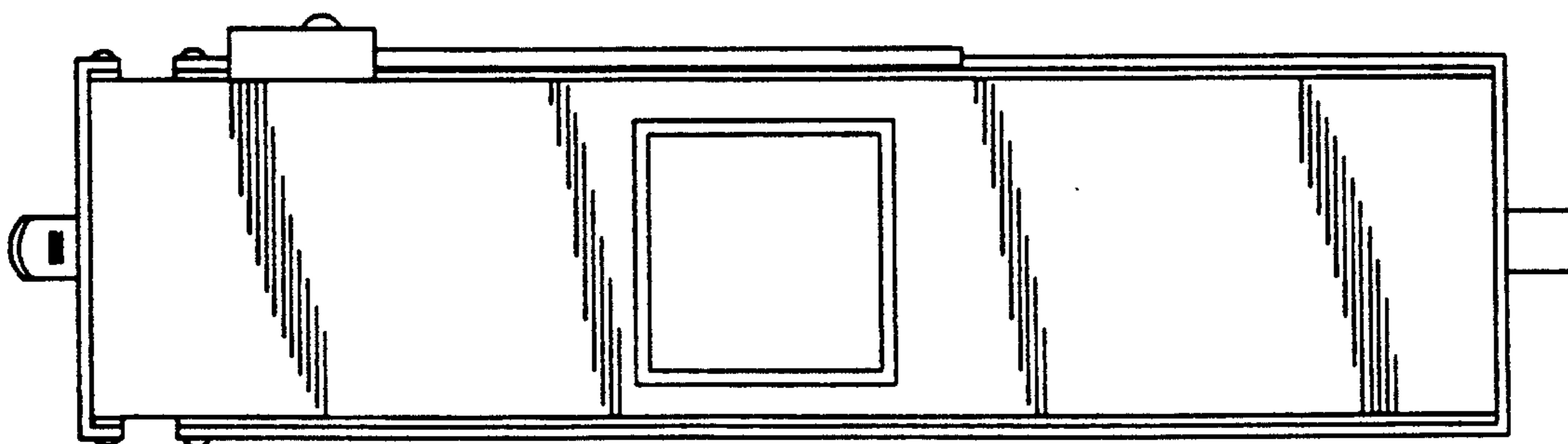


FIG. 7

