



US00D341915S

United States Patent [19]

[11] Patent Number: **Des. 341,915**

Martin

[45] Date of Patent: **** Nov. 30, 1993**

[54] PET CASKET

[76] Inventor: **Mary Martin**, 601 S. Walker Ave.,
P.O. Box 583, Gideon, Mo. 63848

[**] Term: **14 Years**

[21] Appl. No.: **735,459**

[22] Filed: **Jul. 25, 1991**

[52] U.S. Cl. **D99/1**

[58] Field of Search **D99/1-3;**
27/1-10; D3/74, 76

[56] References Cited

U.S. PATENT DOCUMENTS

D. 245,033	7/1977	Bini	D99/1
D. 246,070	10/1977	Machos	D99/3
D. 292,635	11/1987	McCormack	D99/1
D. 292,839	11/1987	Brogdon	D99/1
3,997,948	12/1976	Hicks	D99/1

FOREIGN PATENT DOCUMENTS

1049052 1/1959 Fed. Rep. of Germany .
859941 1/1961 United Kingdom .

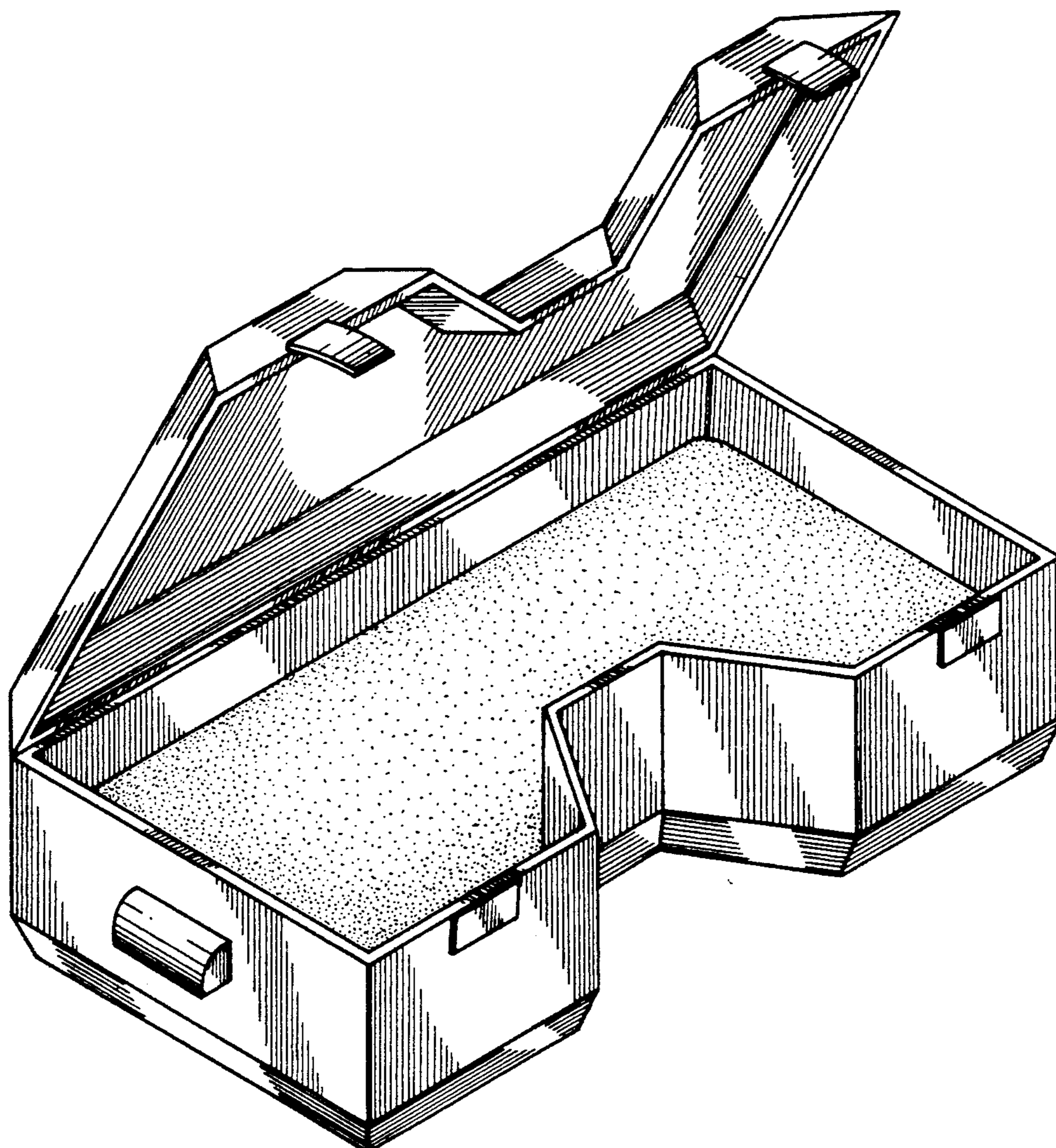
Primary Examiner—Alan P. Douglas
Assistant Examiner—J. H. Musgrove
Attorney, Agent, or Firm—Terry M. Gernstein

[57] CLAIM

The ornamental design for a pet casket, as shown and described.

DESCRIPTION

FIG. 1 is a perspective view of the pet casket embodying the design of the present invention;
FIG. 2 is a front elevational view with the lid in the closed position;
FIG. 3 is a rear elevational view thereof;
FIG. 4 is an end elevational view thereof, the end opposite being a mirror image of the end shown in FIG. 4;
FIG. 5 is a top plan view thereof; and,
FIG. 6 is a bottom view thereof.



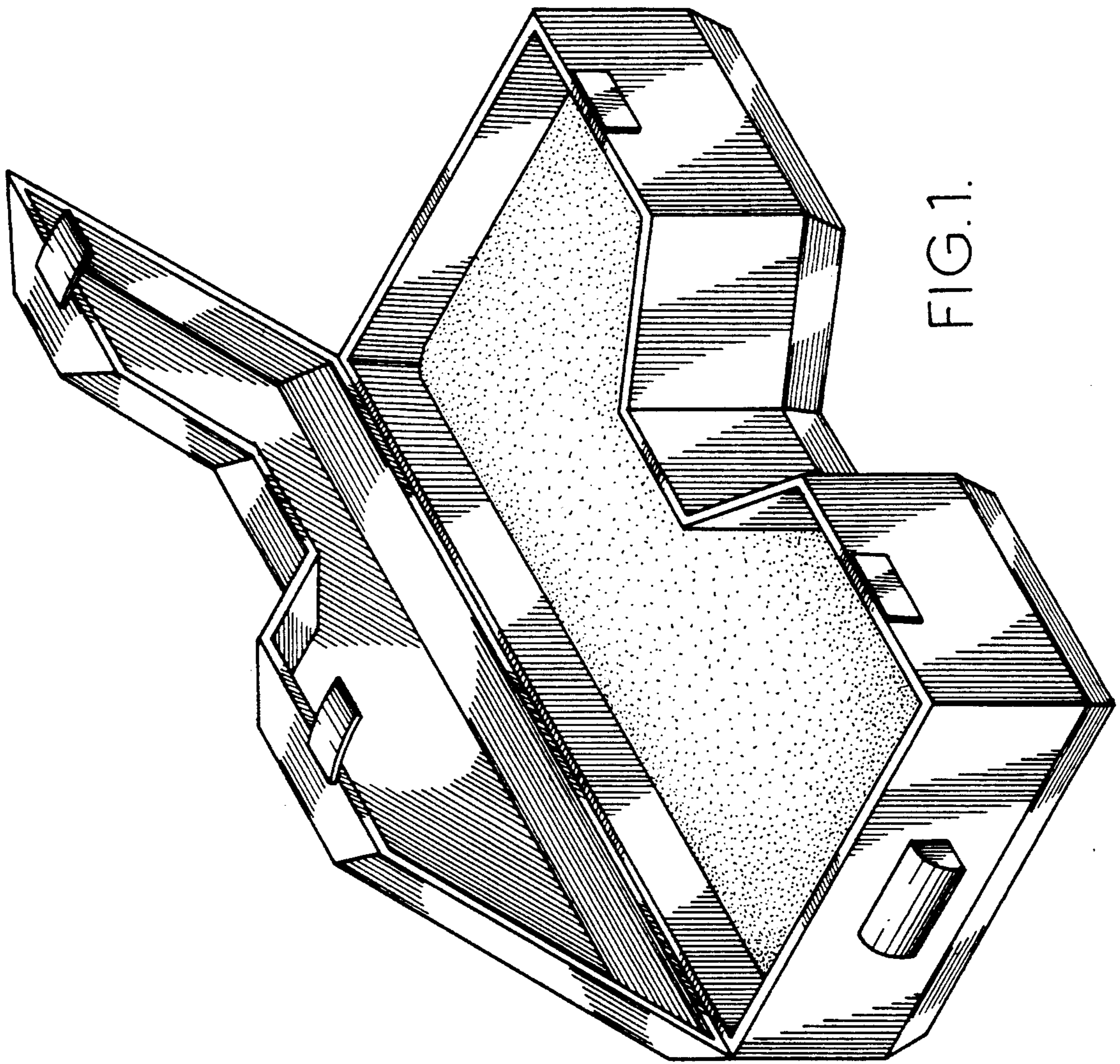


FIG.1.

FIG. 2.

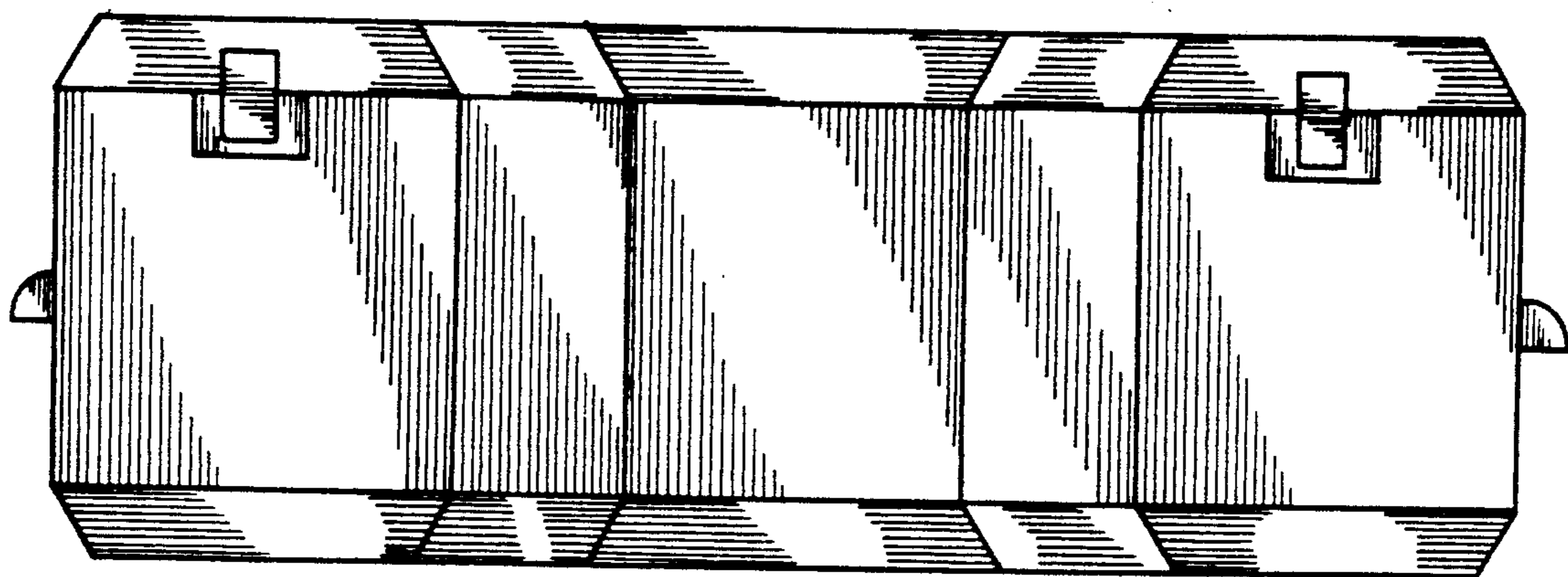


FIG. 5.

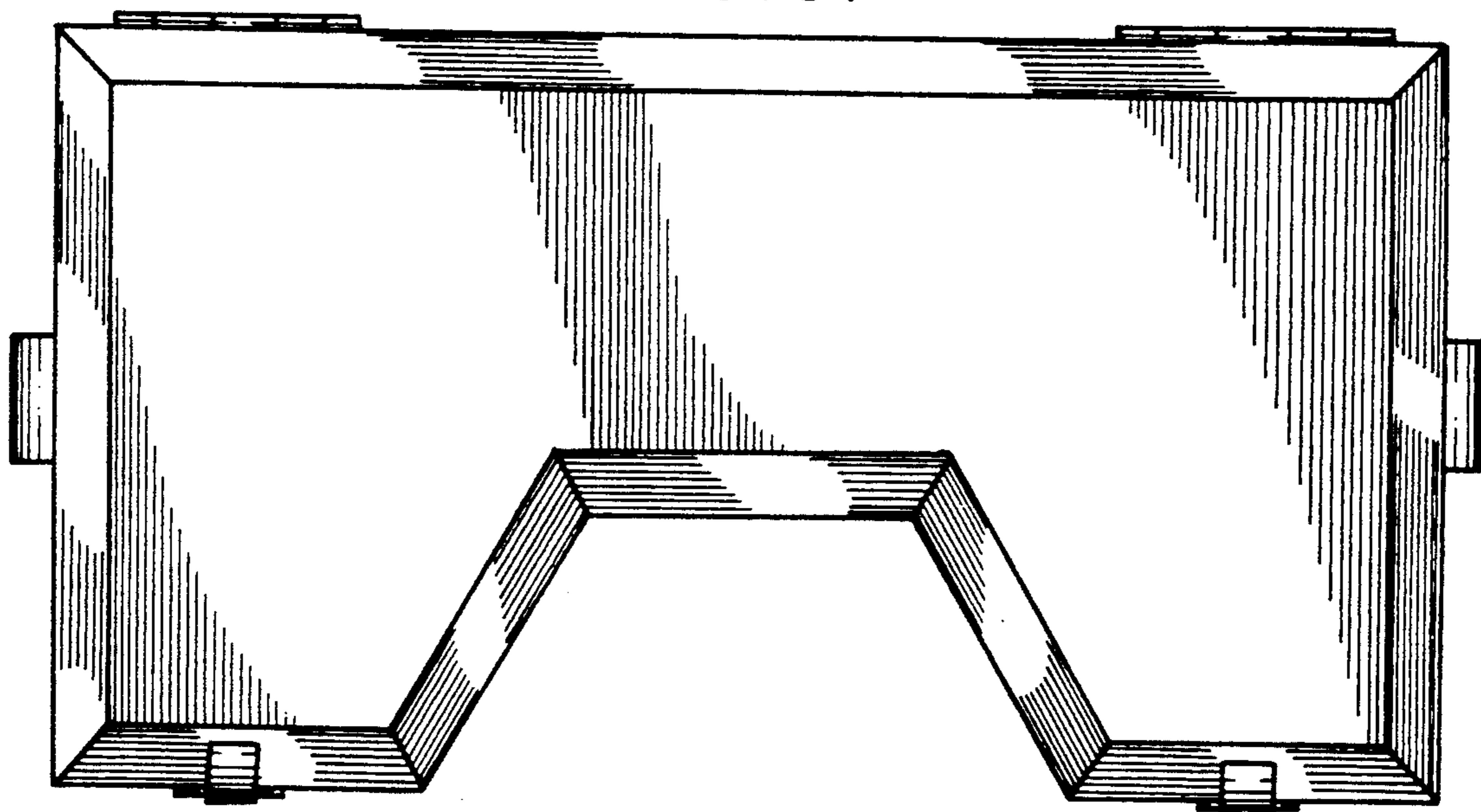


FIG. 3.

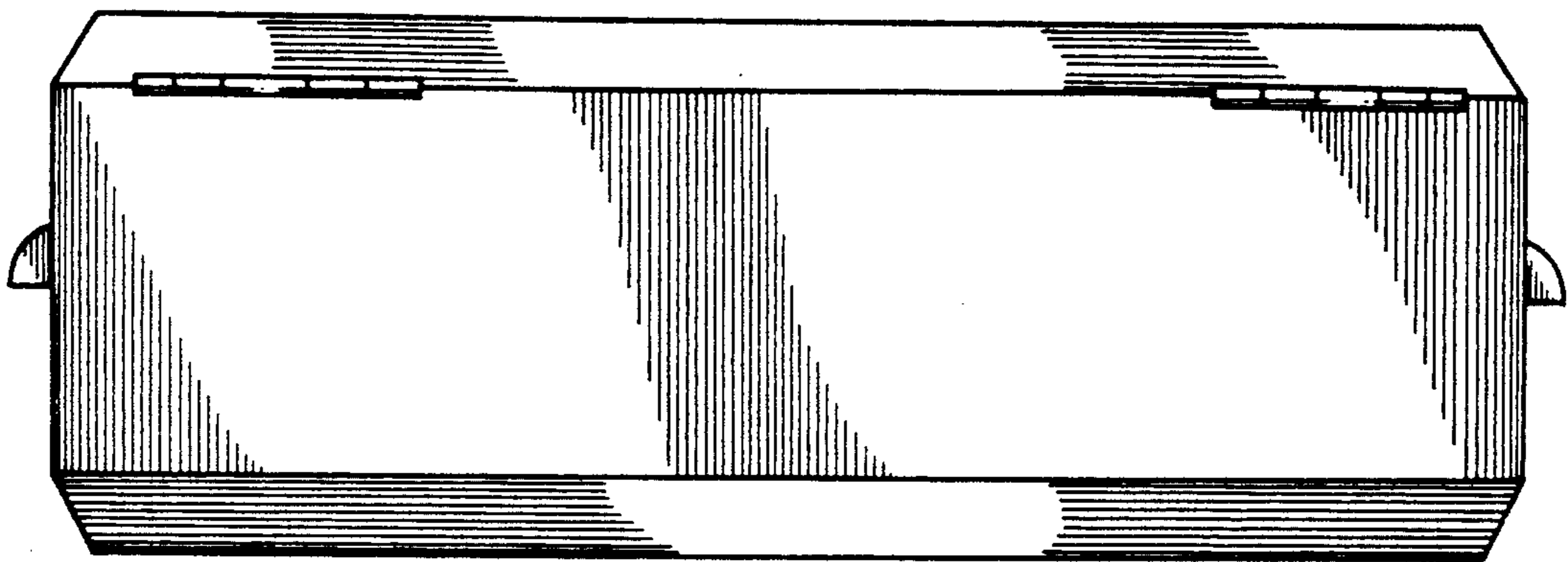
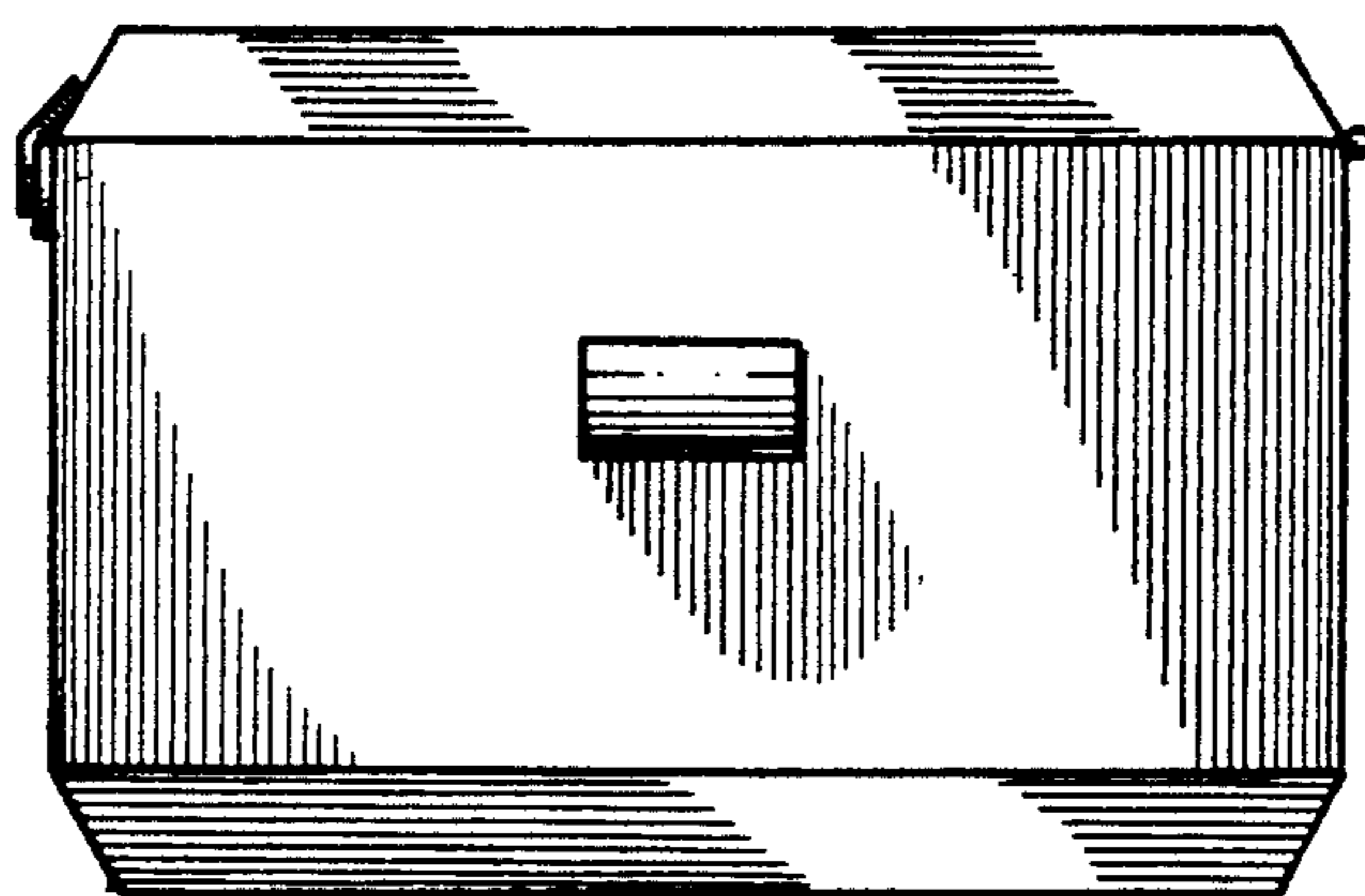


FIG. 4.



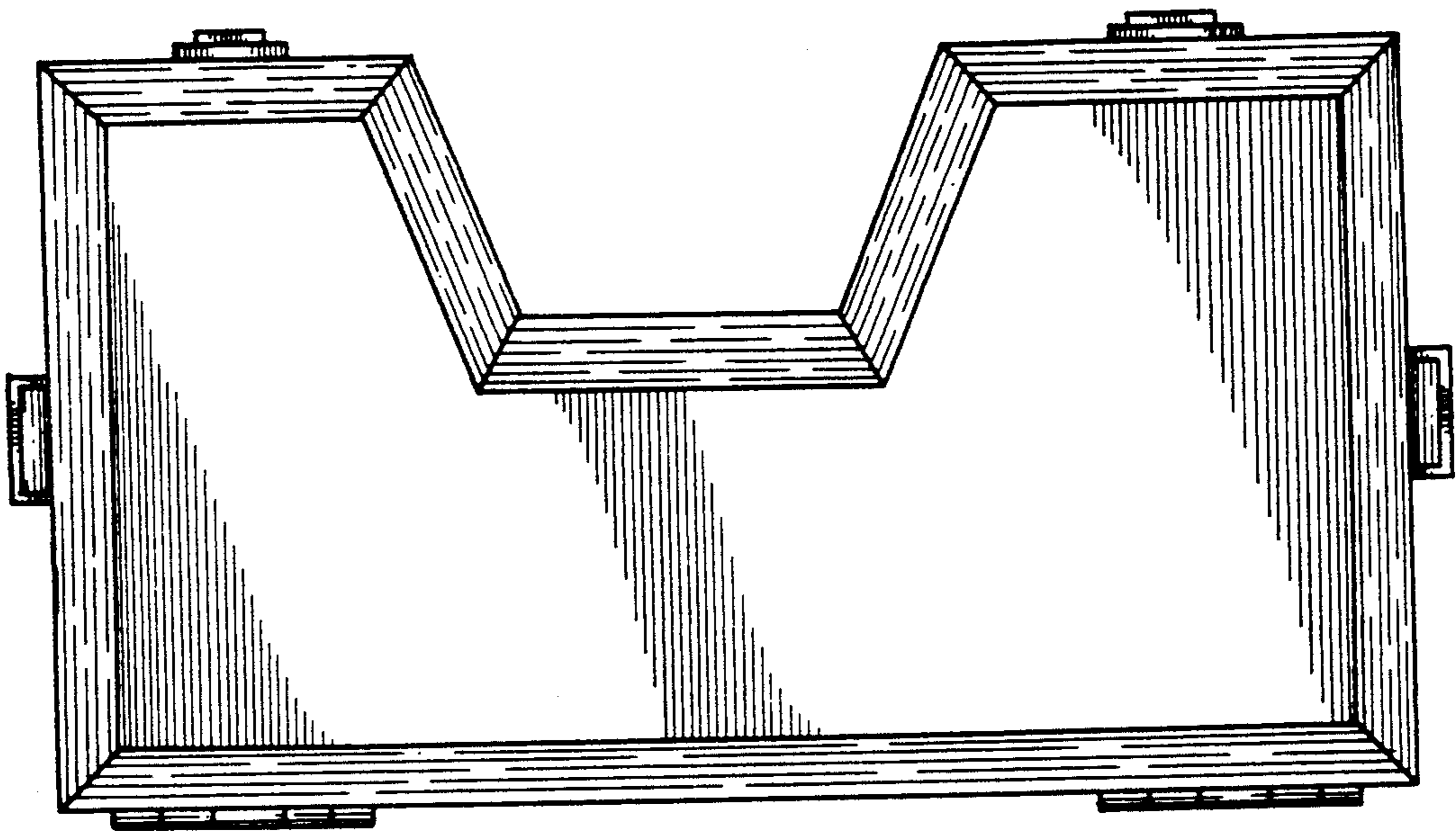


FIG. 6.