



US00D341914S

United States Patent [19]

[11] Patent Number: Des. 341,914

Reiner

[45] Date of Patent: ** Nov. 30, 1993

[54] LOCKABLE BEAUTY SUPPLIES TROLLEY

Attorney, Agent, or Firm—Fulwider, Patton, Lee & Utecht

[76] Inventor: Kenneth Reiner, 1455 La Perla Ave., Long Beach, Calif. 90815

[57] CLAIM

[**] Term: 14 Years

The ornamental design for a lockable beauty supplies trolley, as shown and described.

[21] Appl. No.: 822,577

DESCRIPTION

[22] Filed: Jan. 17, 1992

[52] U.S. Cl. D34/21; D34/19; D6/440

[58] Field of Search D34/12, 17, 19, 20, D34/21; D6/440; 280/79.3, 79.11, 47.35; 312/250

FIG. 1 is a front elevational view of a lockable beauty supplies trolley showing my new design; FIG. 2 is rear elevational view thereof; FIG. 3 is a side elevational view thereof, with the side opposite that shown having the same appearance; FIG. 4 is a top plan view of said trolley; FIG. 5 is a bottom view of said trolley; FIG. 6 is a perspective view of said trolley with the doors thereof in a partially open position; FIG. 7 is a perspective view similar to that shown in FIG. 6 with the doors being folded within the confines of the trolley and the trays originally housed within the trolley being supported by the upper side edges thereof; FIG. 8 is a perspective view similar to that shown in FIGS. 6 and 7 with the lower door portion being removed, and the upper door portion being closed; and, FIG. 9 is a perspective view similar to FIGS. 6, 7 and 8 with the top door being closed, and a lower tray being positioned within the trolley.

[56] References Cited

U.S. PATENT DOCUMENTS

D. 132,255	5/1942	Junghanns	D34/19
D. 219,913	2/1971	Malm	D34/19
D. 320,683	10/1991	Welch	D34/17
D. 331,334	12/1992	Hollington	D6/440
4,811,999	3/1989	Remington et al.	312/250
4,875,696	10/1989	Welch et al.	280/79.3

Primary Examiner—Kay H. Chin

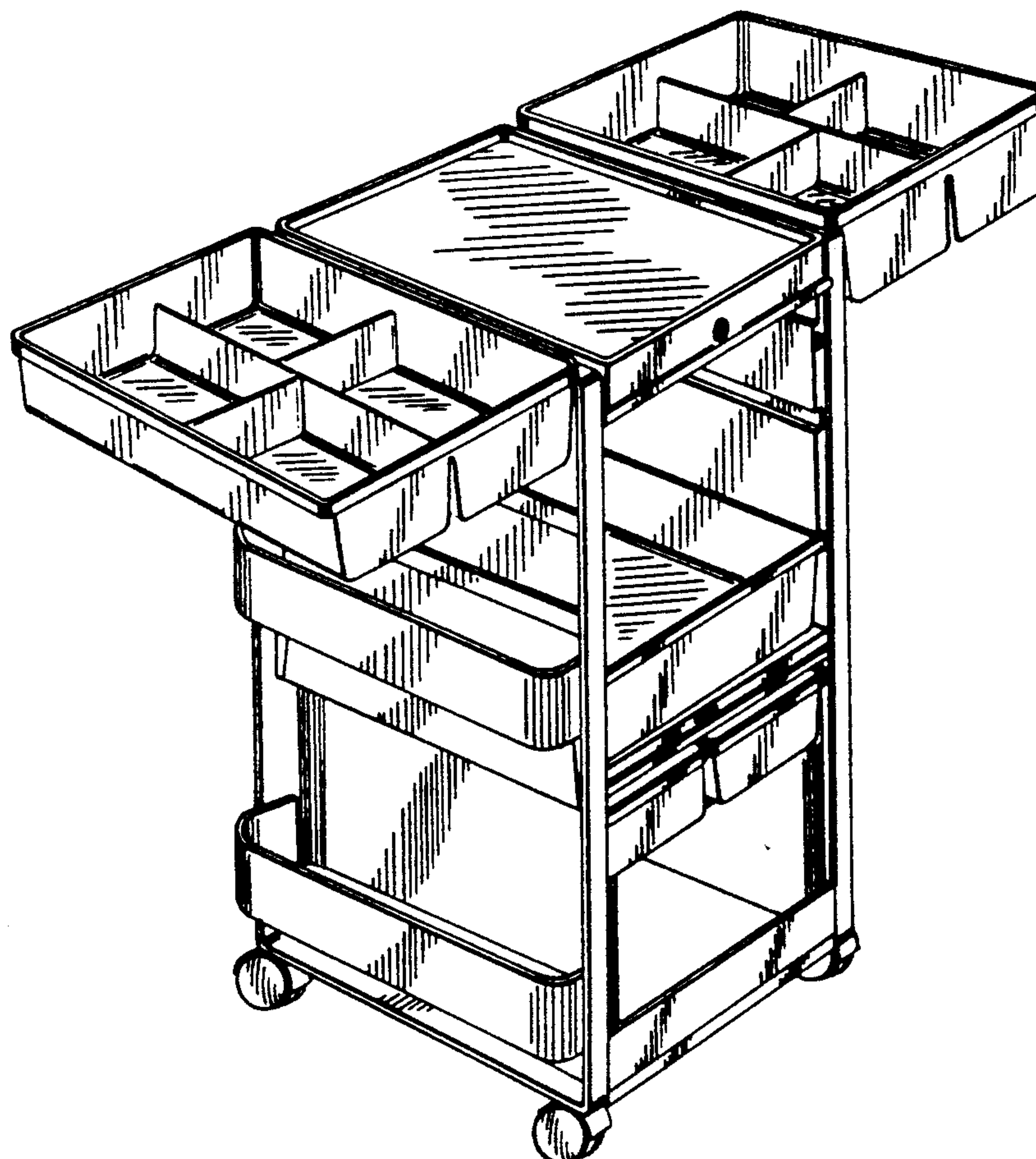


FIG. 1

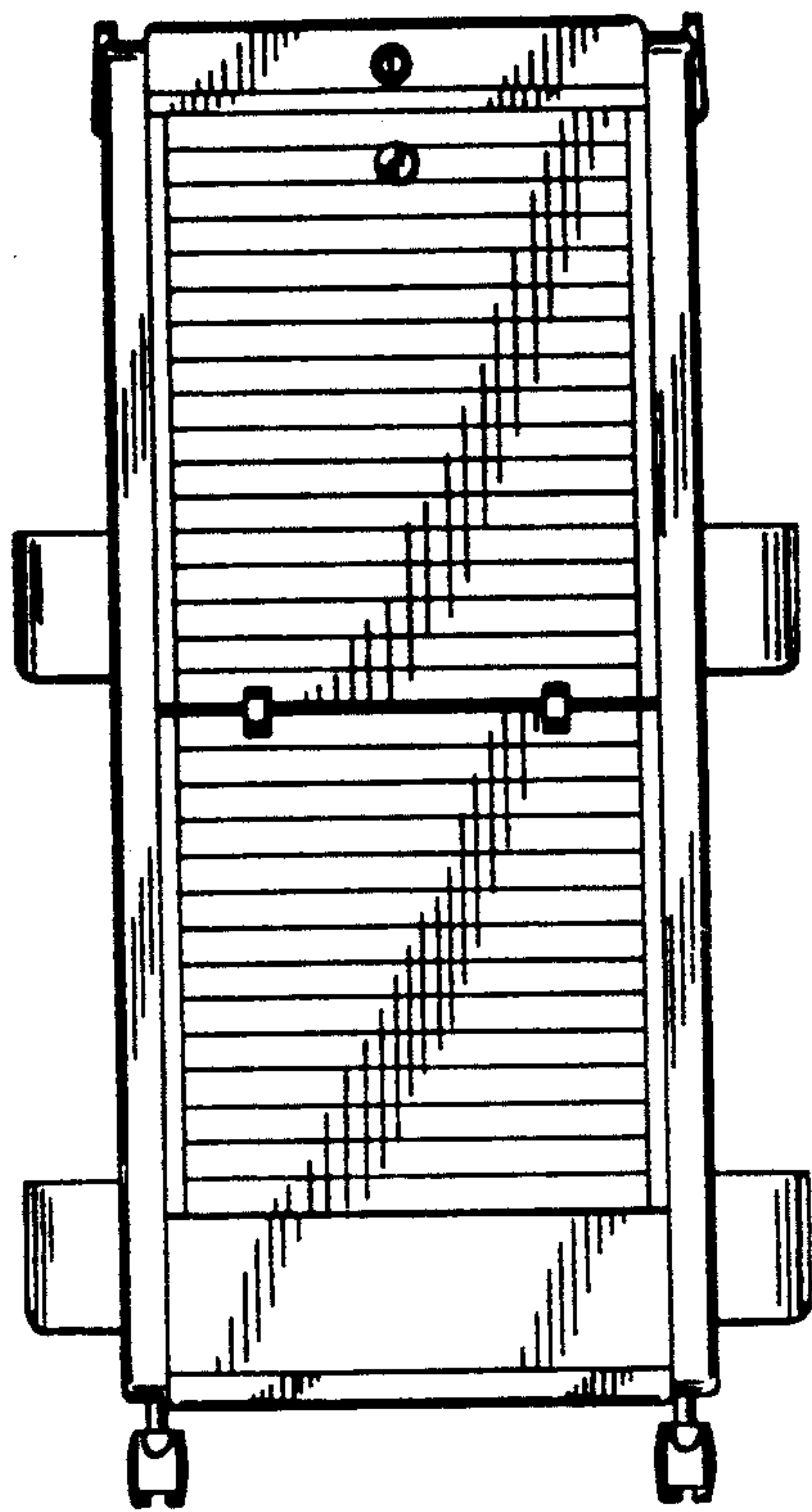


FIG. 2

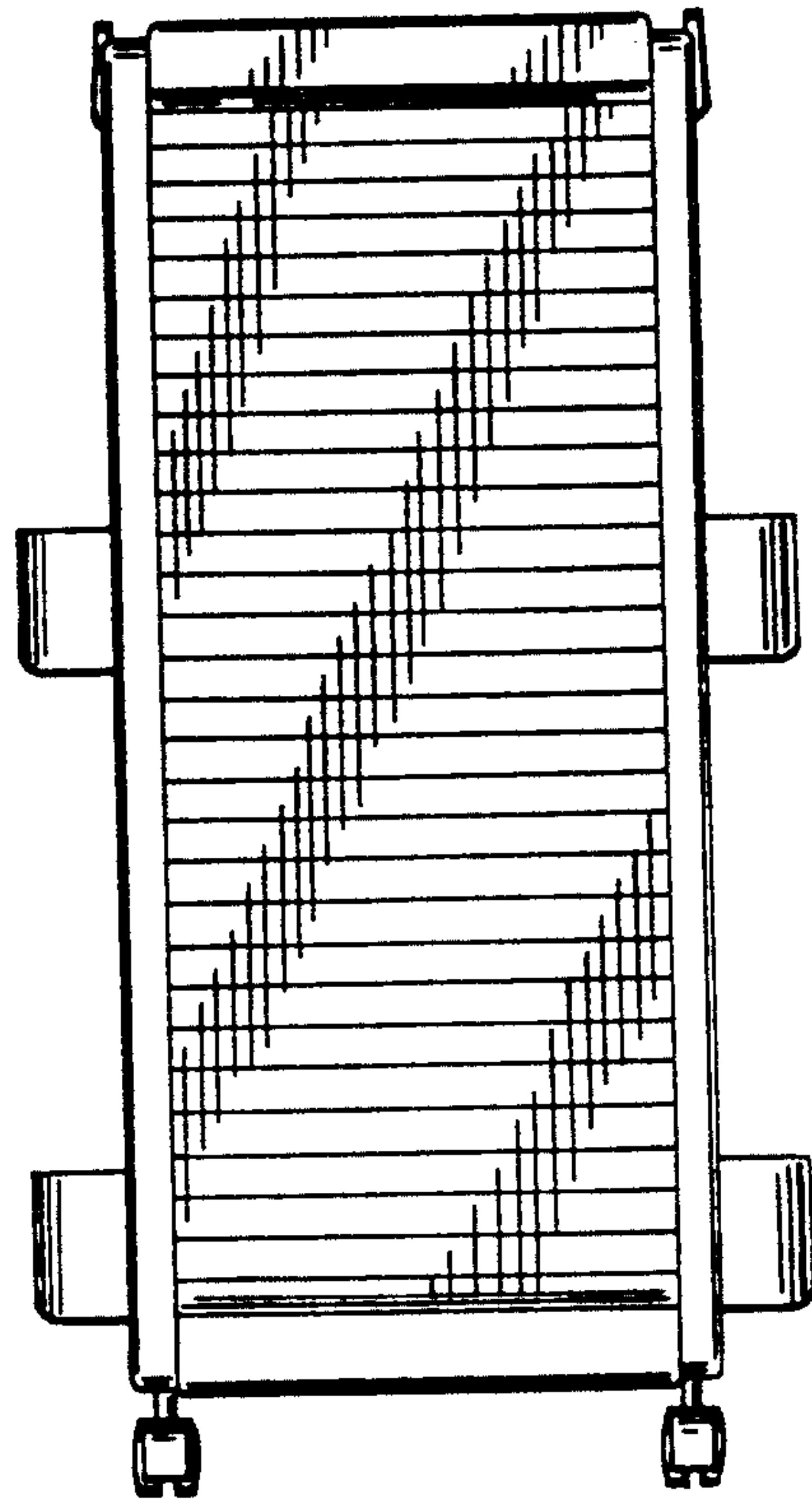


FIG. 3

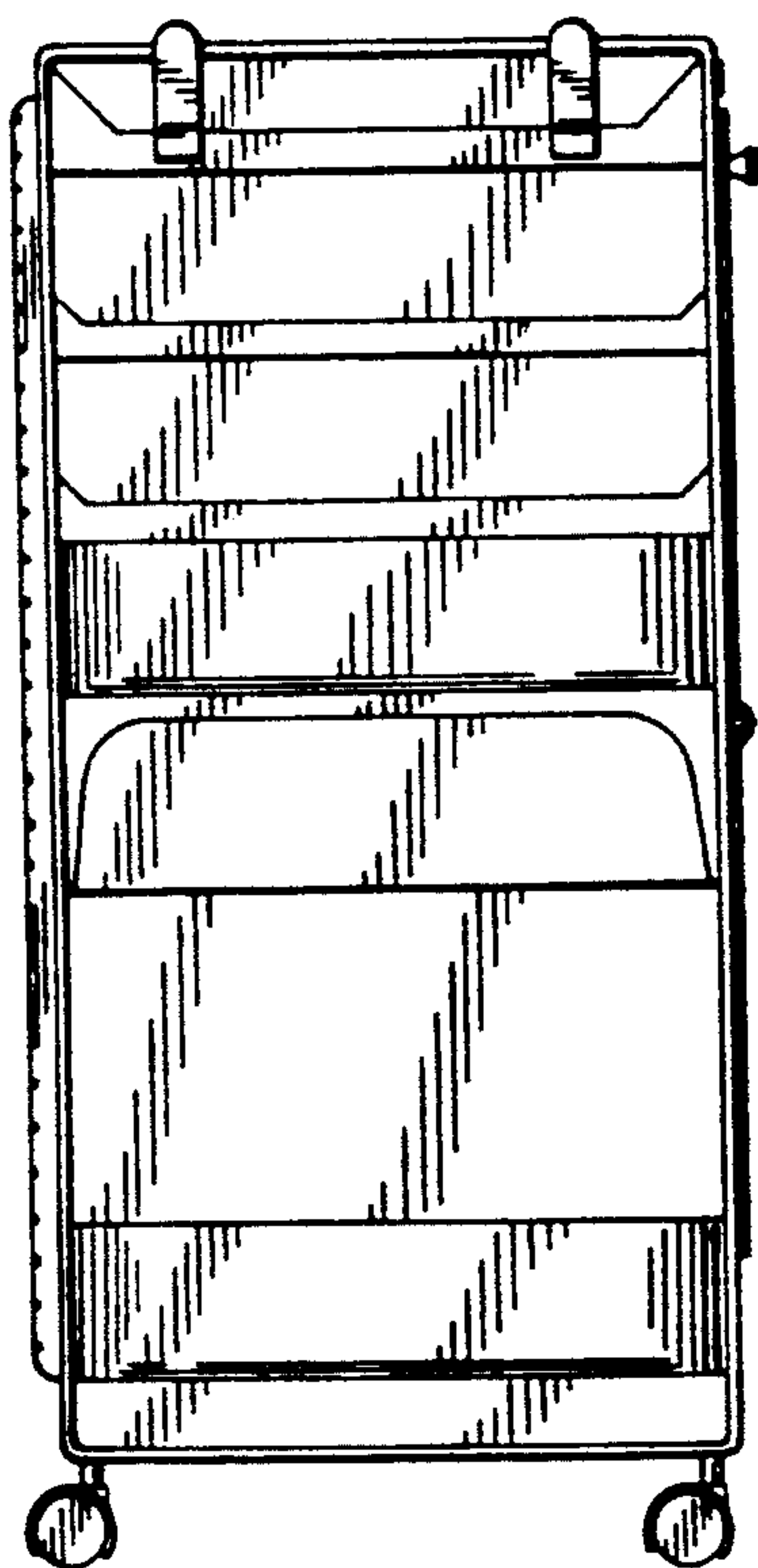


FIG. 4

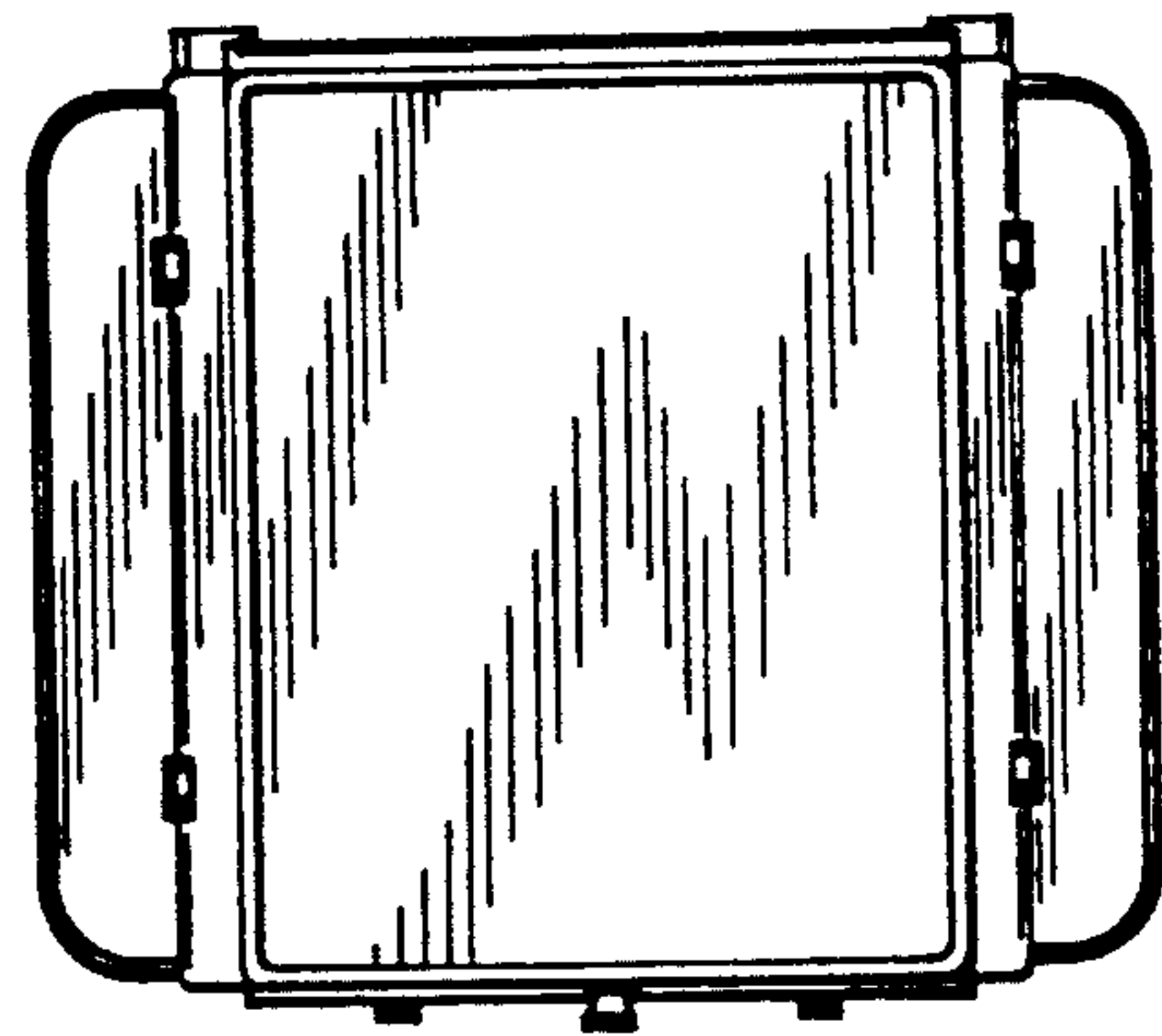


FIG. 5

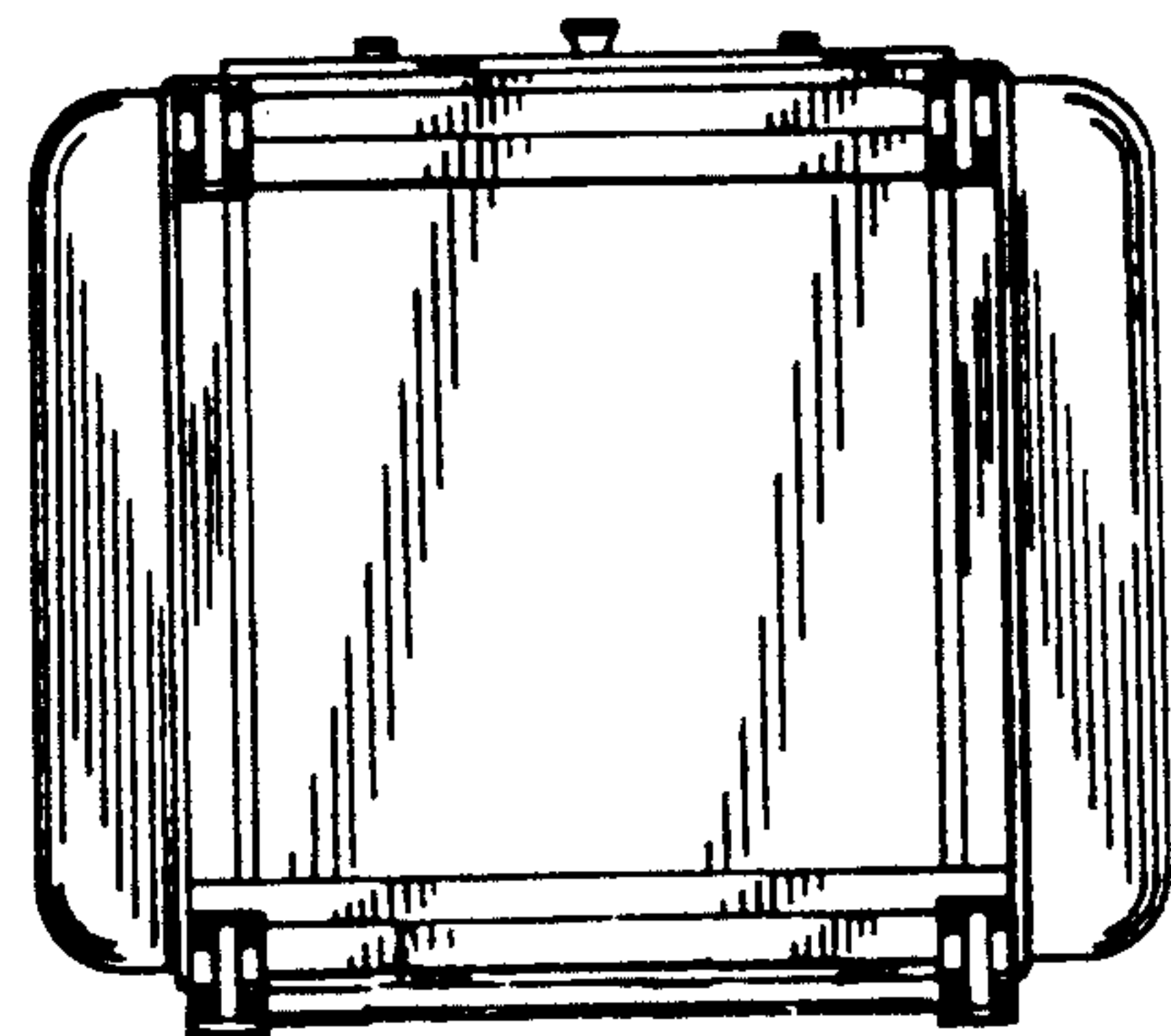


FIG. 6

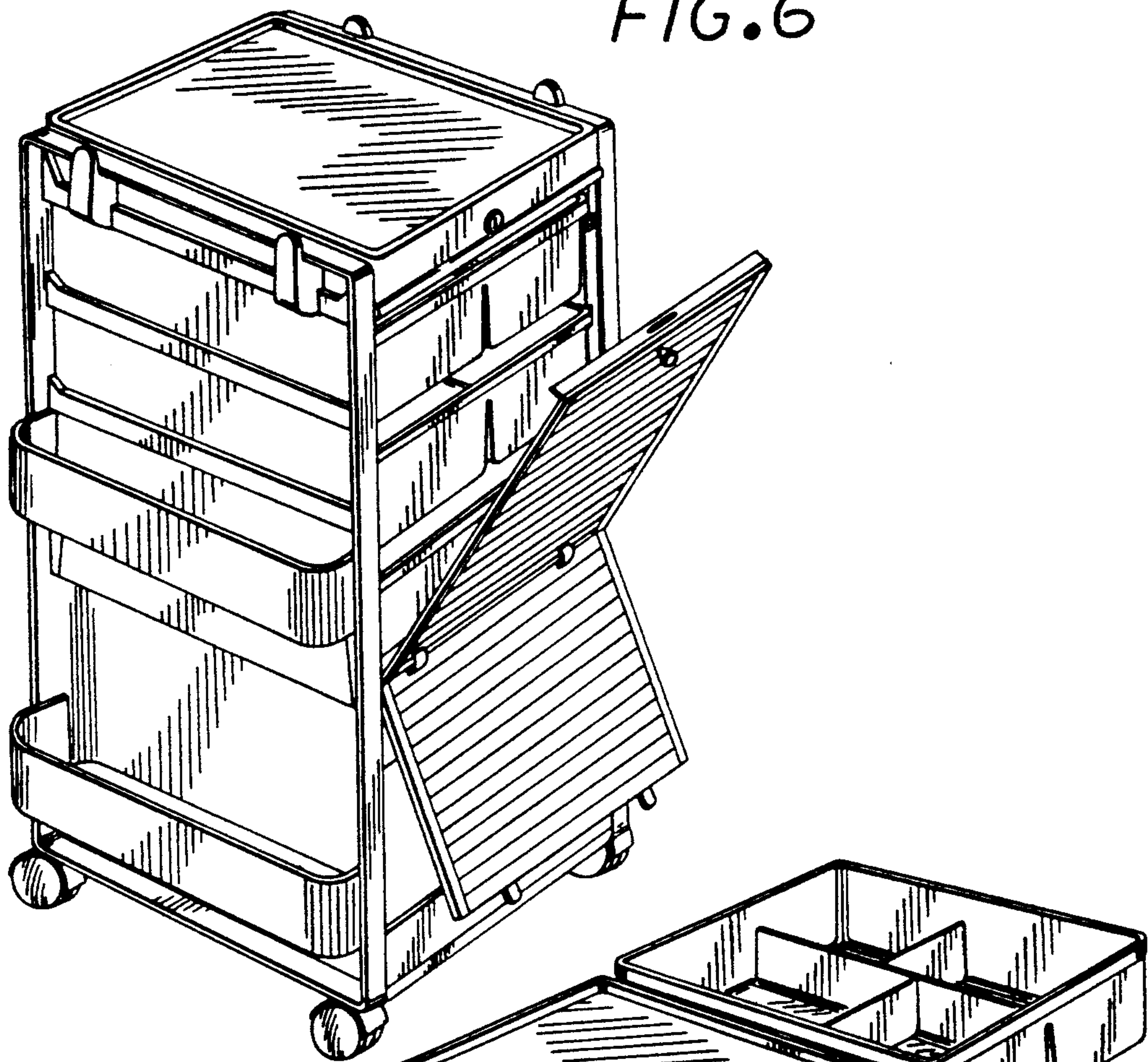
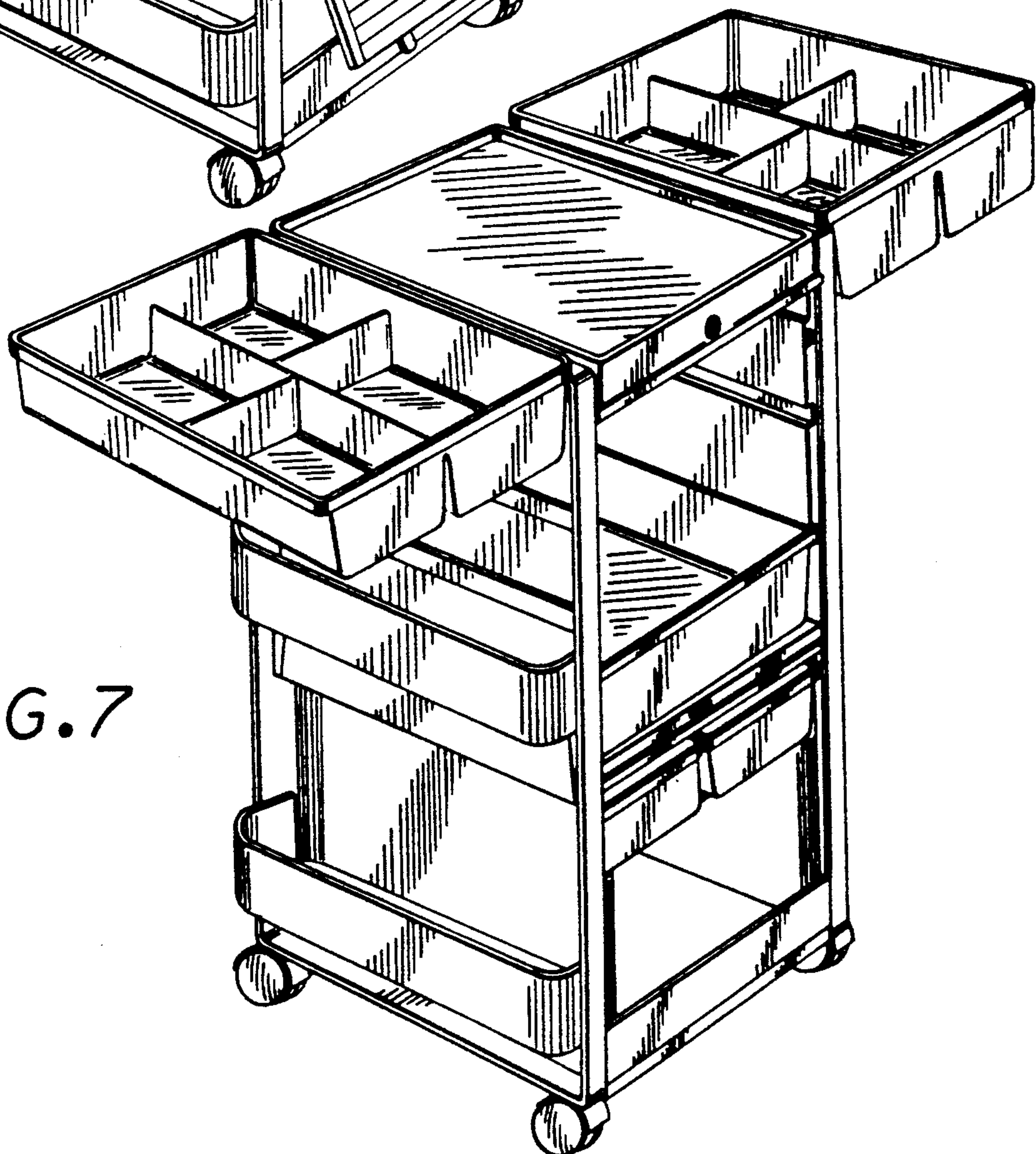


FIG. 7



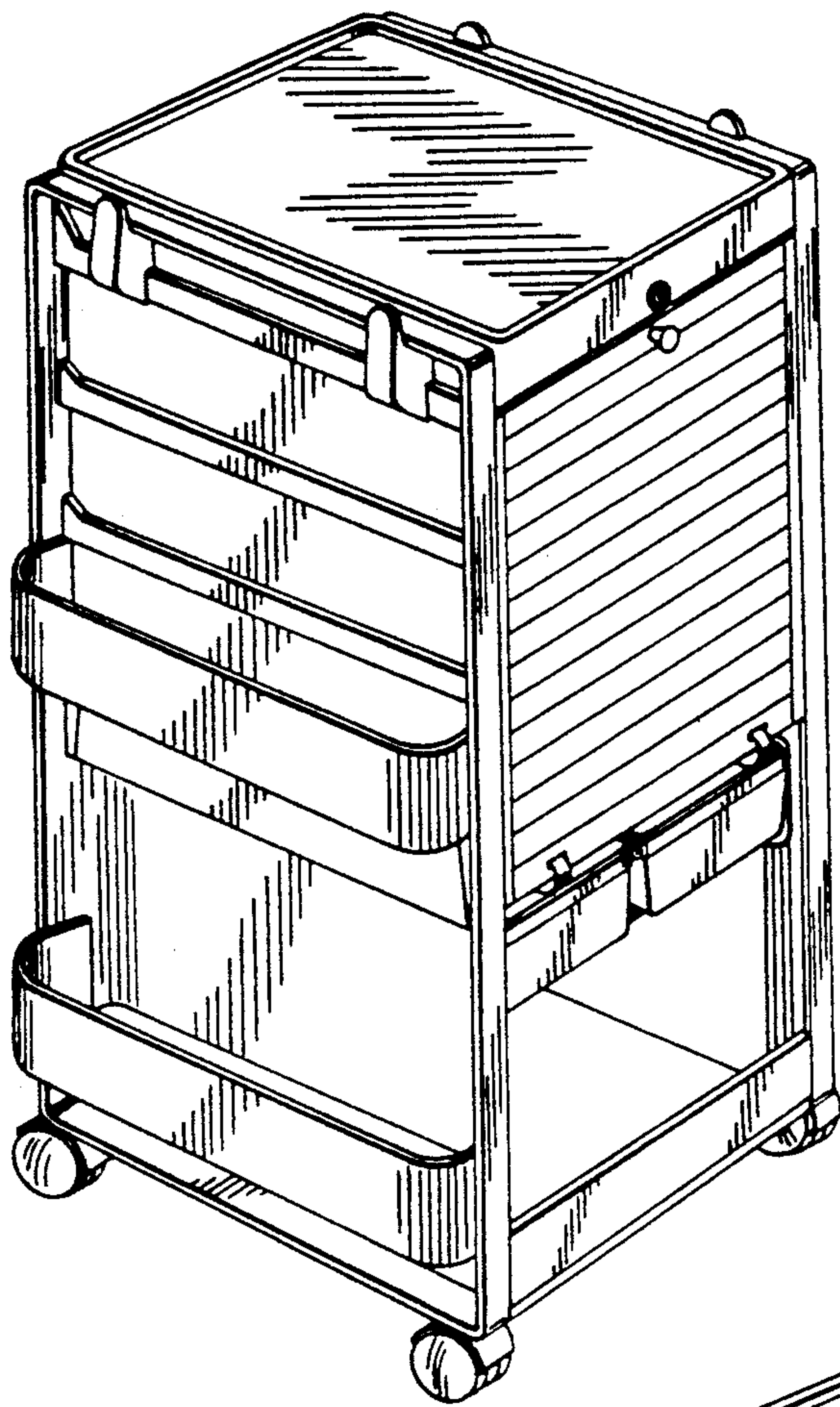


FIG. 8

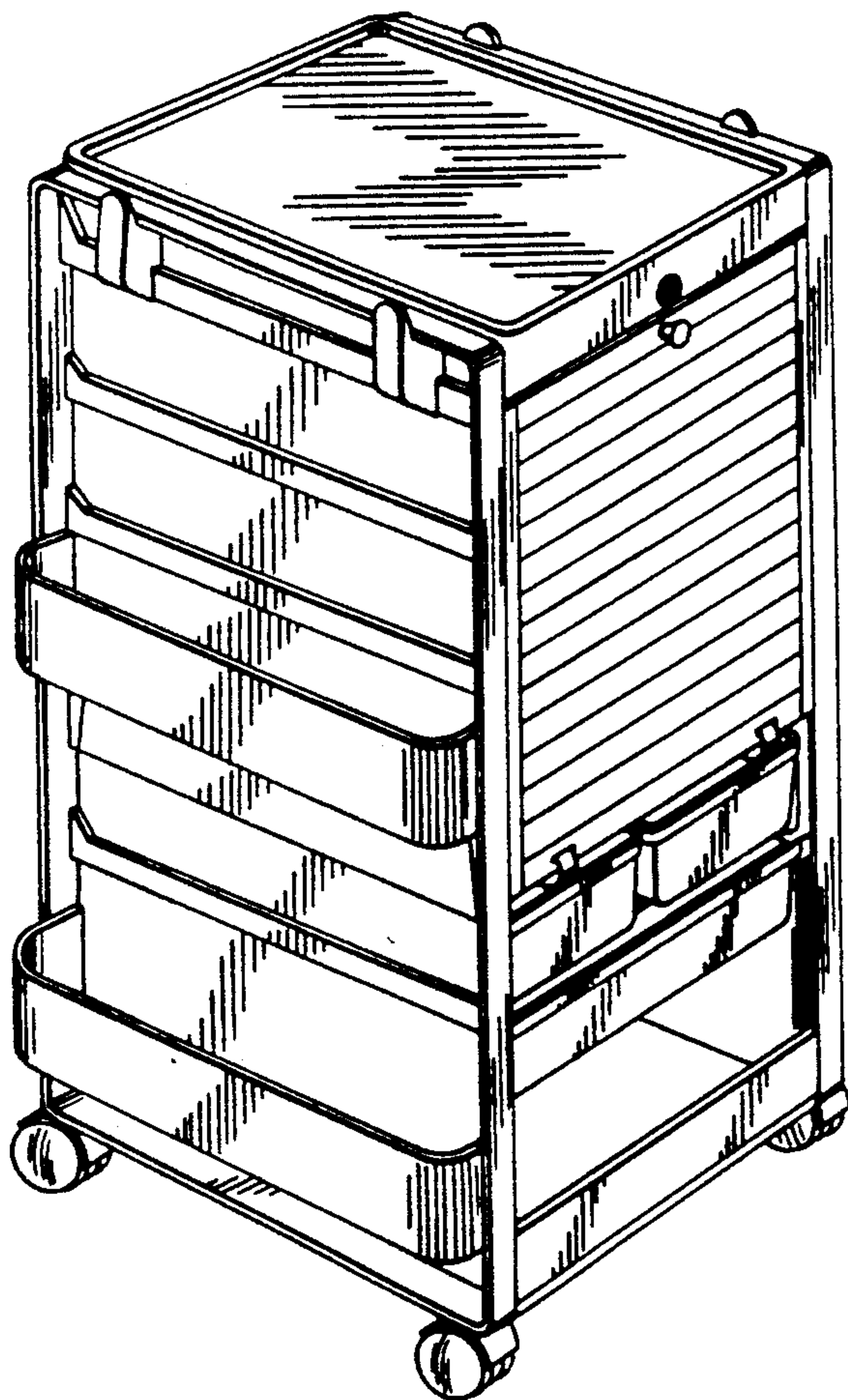


FIG. 9