



US00D341913S

United States Patent [19]

[11] Patent Number: **Des. 341,913**

Swan

[45] Date of Patent: **** Nov. 30, 1993**

[54] **WOODEN FLOOR STRIPPING MACHINE**

4,725,097 2/1988 Zelenka 299/39

[75] Inventor: **Leo Swan, Jefferson, Md.**

Primary Examiner—Alan P. Douglas

[73] Assignee: **Equipment Development Company, Inc., Frederick, Md.**

Assistant Examiner—Antoine D. Davis

Attorney, Agent, or Firm—Birch, Stewart, Kolasch & Birch

[**] Term: **14 Years**

[57] CLAIM

[21] Appl. No.: **821,603**

The ornamental design for a wooden floor stripping machine, as shown.

[22] Filed: **Jan. 16, 1992**

[52] U.S. Cl. **D32/15**

DESCRIPTION

[58] Field of Search **D15/10; D32/15, 22; 299/37, 41; 51/170 T, 174, 177**

FIG. 1 is a perspective view of a wooden floor stripping machine showing my new design;

[56] References Cited

U.S. PATENT DOCUMENTS

- D. 252,880 9/1979 Dummermuth D32/15
- D. 252,881 9/1979 Dummermuth D32/15
- 4,614,380 9/1986 Allen 299/41

FIG. 2 is a right side elevational view thereof;

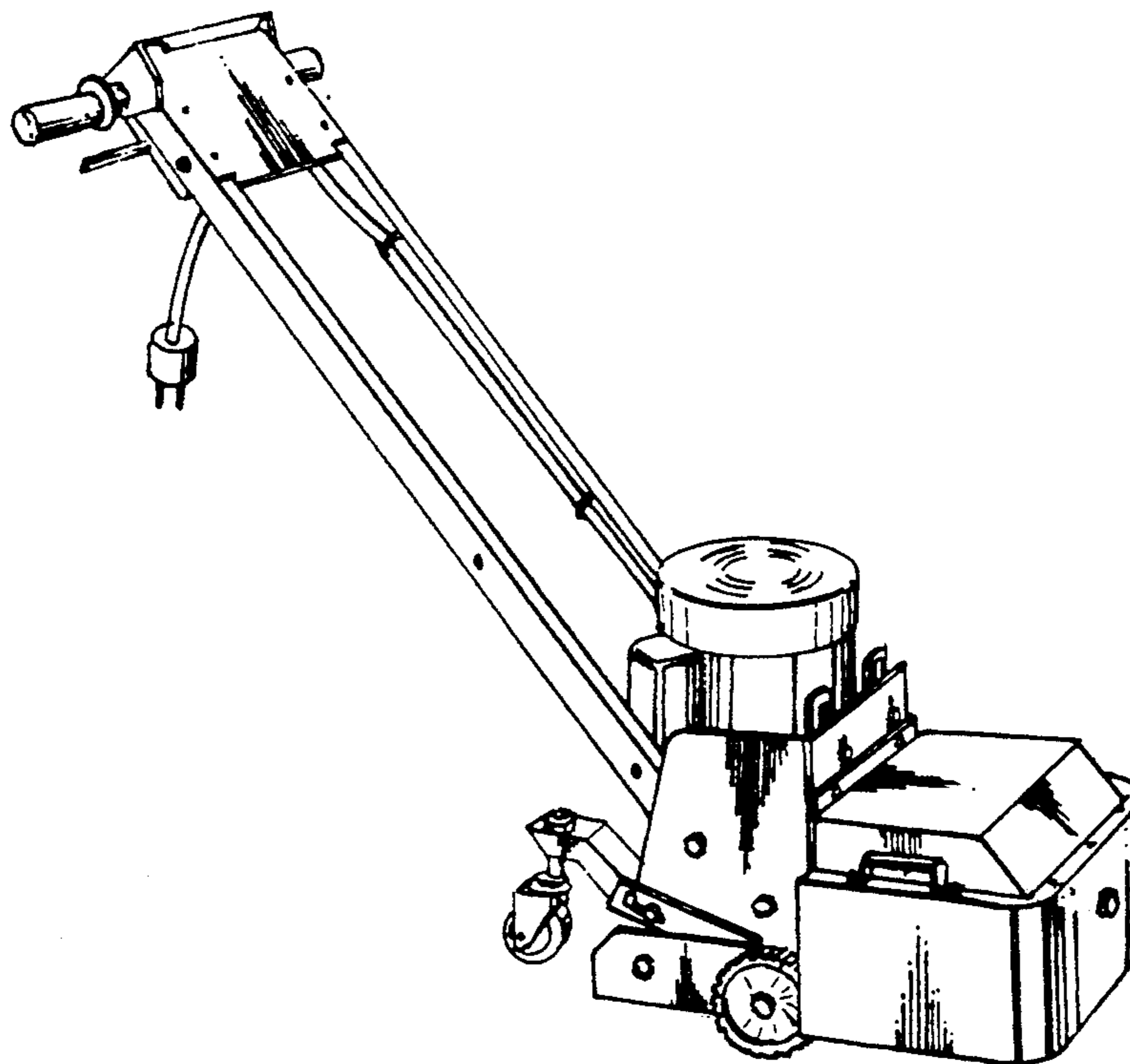
FIG. 3 is a front elevational view thereof;

FIG. 4 is a left side elevational view thereof;

FIG. 5 is a rear elevational view thereof;

FIG. 6 is a top plan view thereof; and,

FIG. 7 is a bottom plan view thereof.



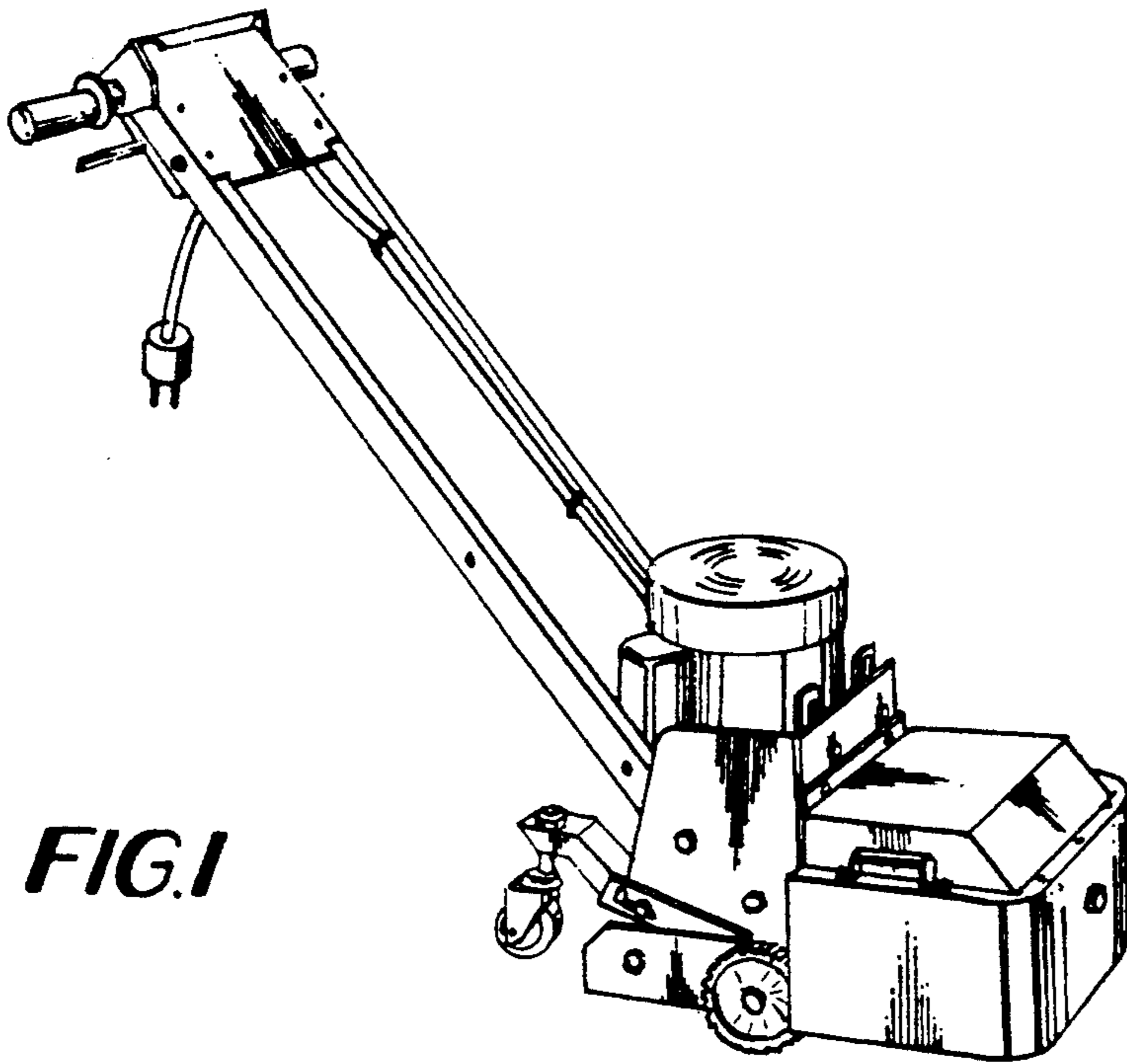


FIG. 1

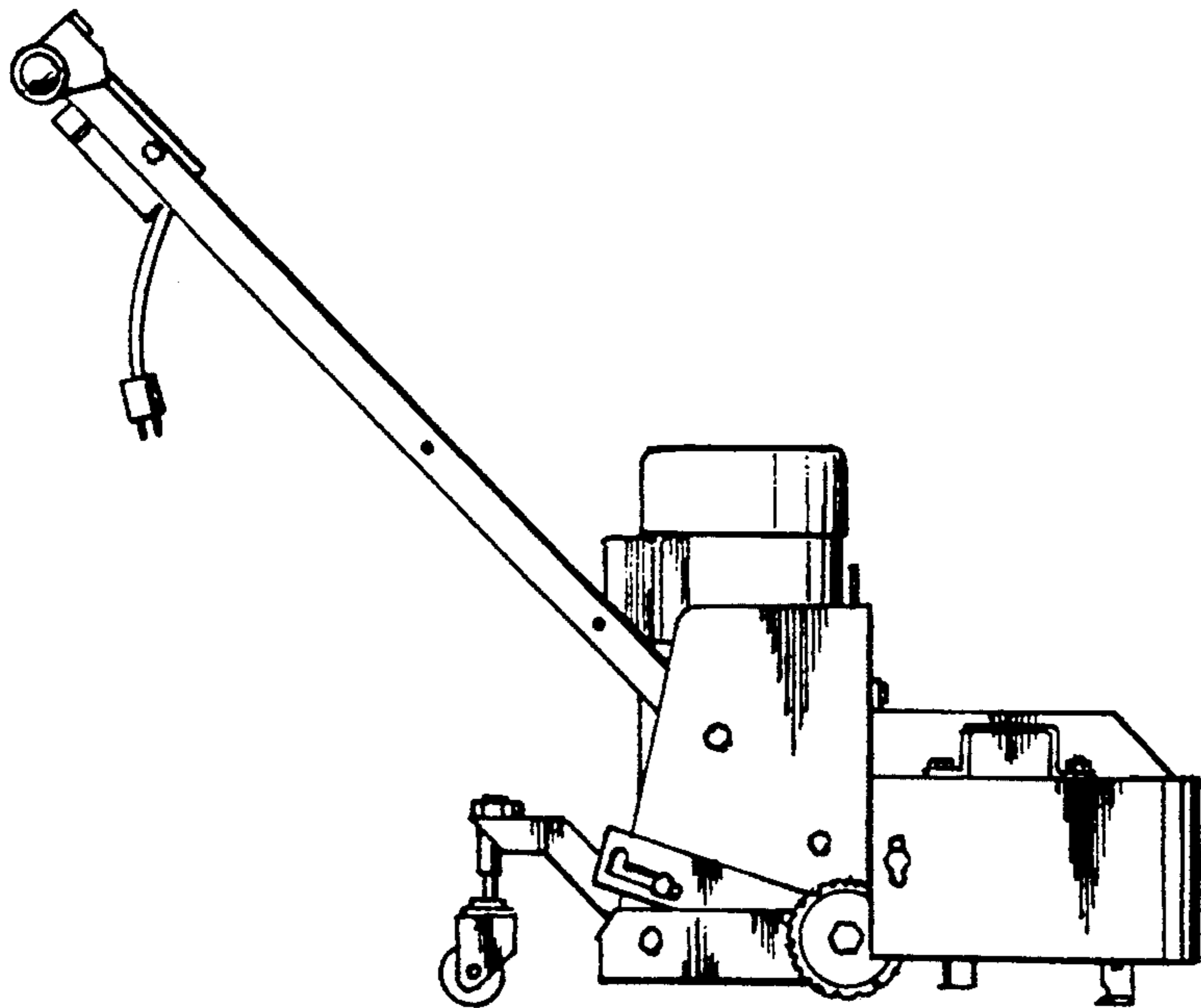


FIG. 2

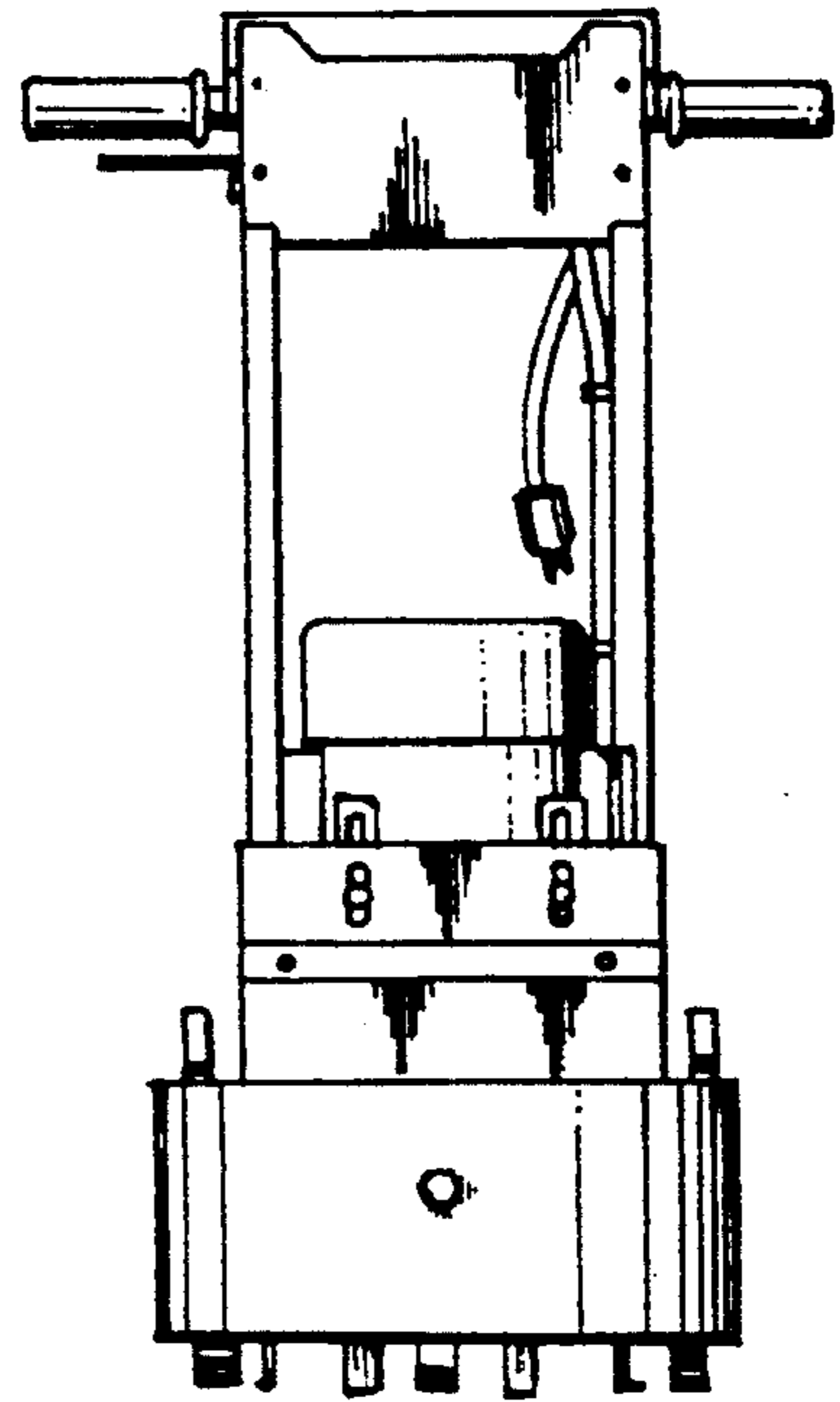


FIG. 3

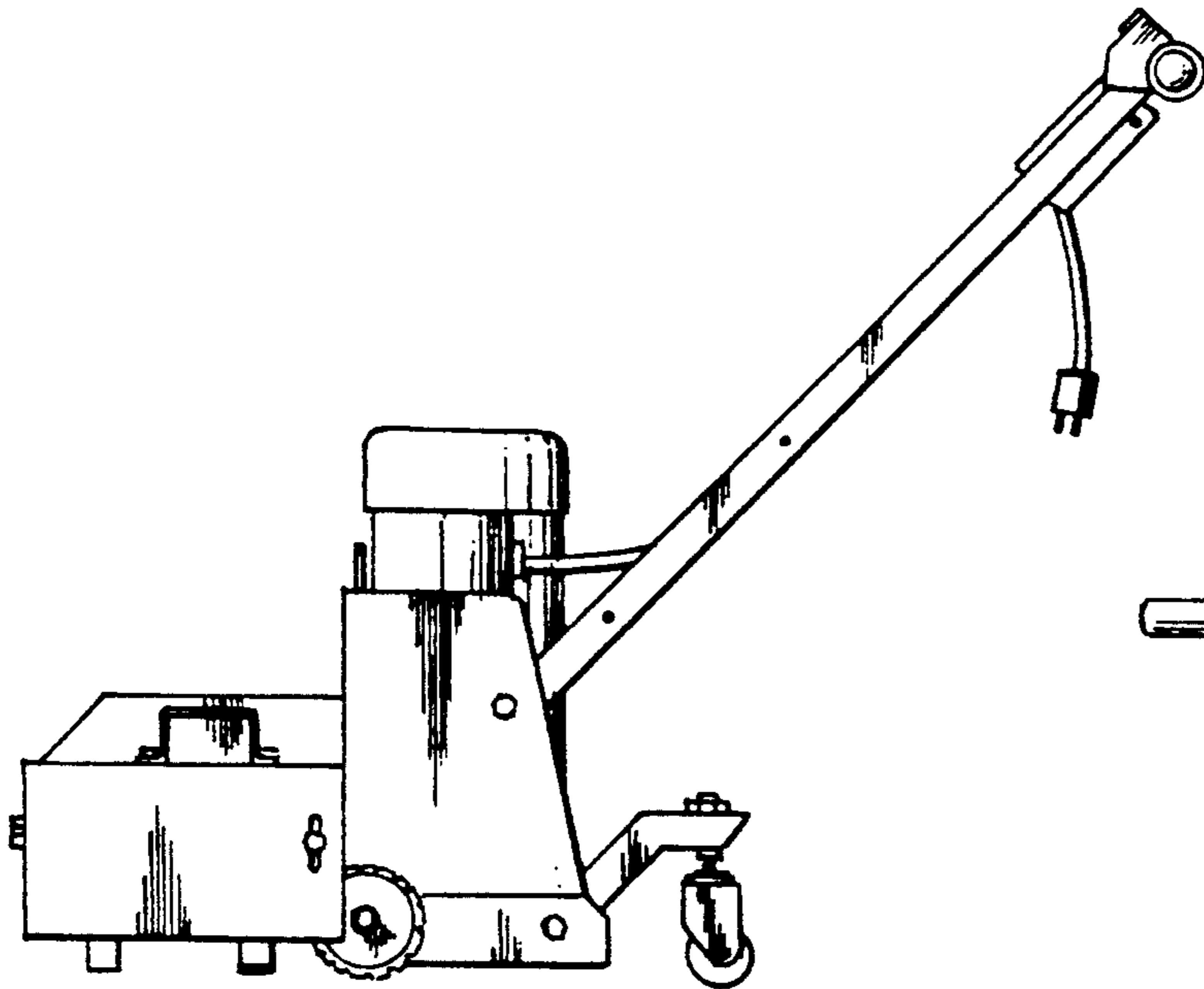


FIG. 4

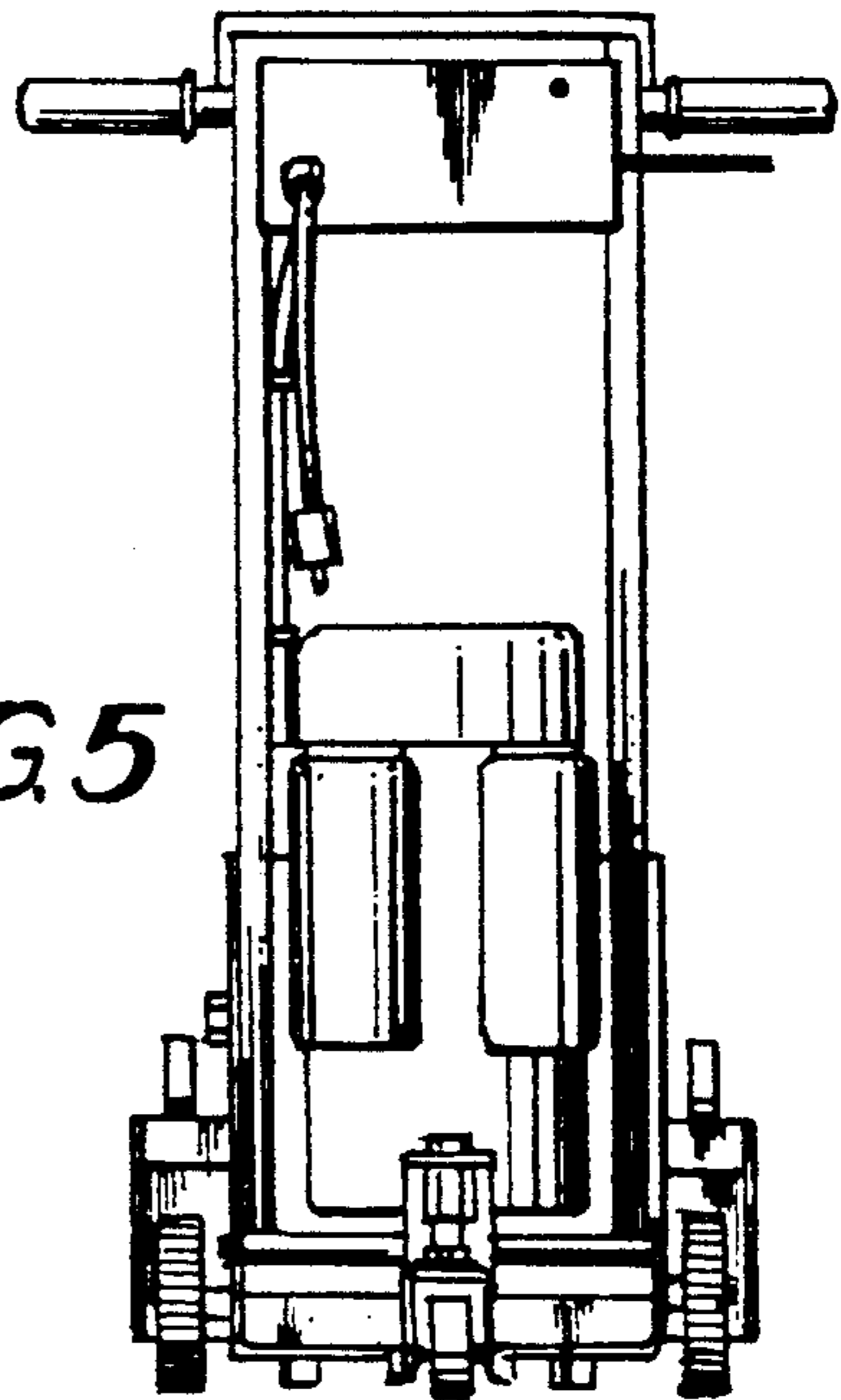


FIG. 5

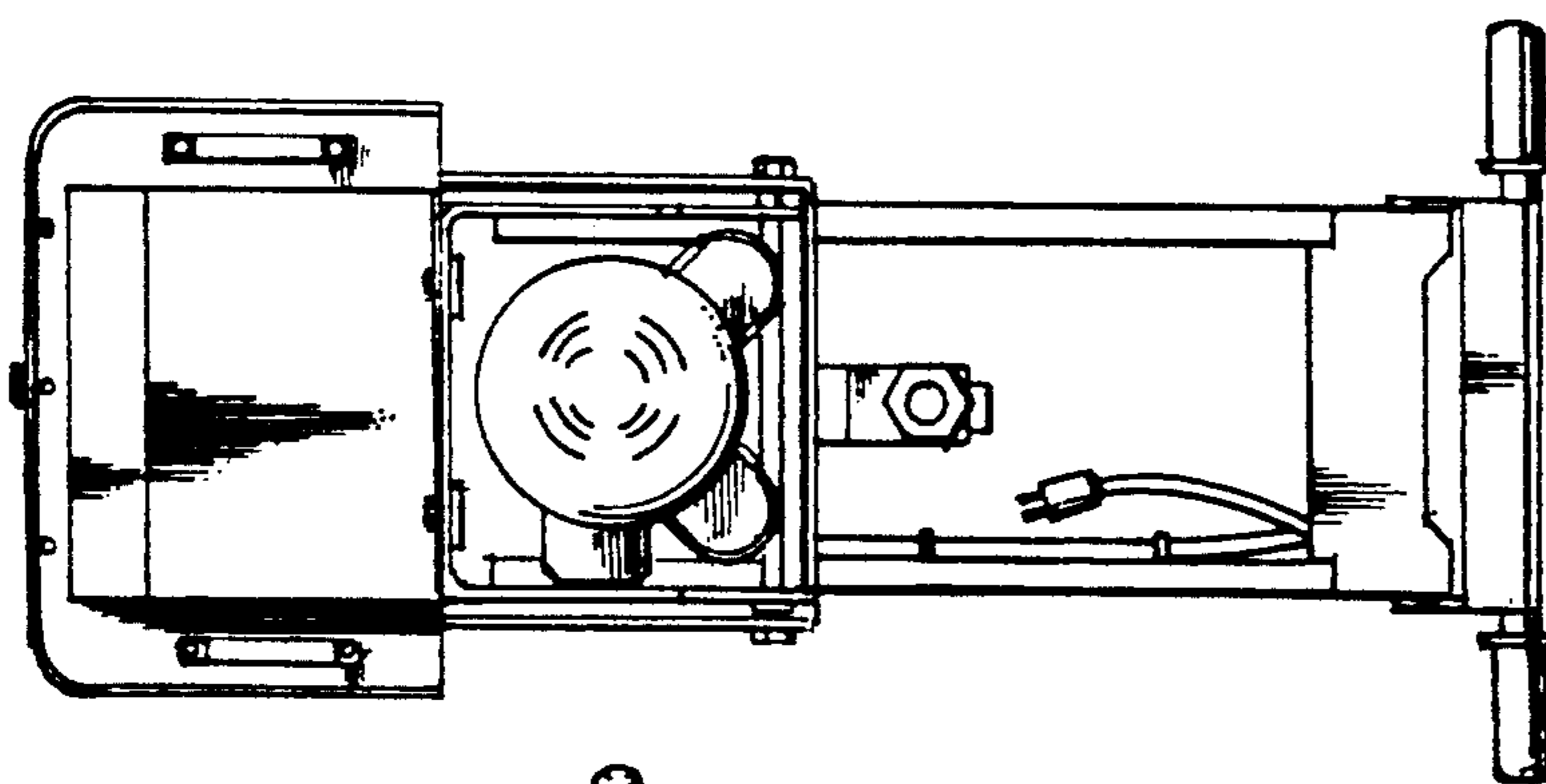


FIG. 6

FIG. 7

