



US00D341911S

United States Patent [19]

[11] Patent Number: **Des. 341,911**

Thomsen

[45] Date of Patent: **** Nov. 30, 1993**

[54] **BIRD FEEDER STAND**

[76] Inventor: **William R. Thomsen**, 10213 Daylily Ct., Manassas, Va. 22110

[**] Term: **14 Years**

[21] Appl. No.: **856,339**

[22] Filed: **Mar. 23, 1992**

[52] U.S. Cl. **D30/133**

[58] Field of Search 119/61, 23, 52.2, 52.3, 119/57.8-57.9; D30/121-122, 133, 124; D11/143; D25/126-128, 132; D26/68-70

[56] **References Cited**

U.S. PATENT DOCUMENTS

D. 20,449	1/1891	Fletcher	D26/70
D. 140,175	1/1945	Hyde	D30/110
D. 194,392	1/1963	Hadley	D25/132
D. 221,104	7/1971	Selden	D25/127
1,369,315	2/1921	Ankers	119/61
2,779,311	1/1957	Hamilton	119/61
3,174,459	3/1965	Browne	119/57.8
4,441,457	4/1984	Sanford	119/57.9

4,767,088	8/1988	Fielder et al.	119/57.9
4,986,219	1/1991	Harris	119/61
5,165,364	11/1992	Horkey	119/57.8

OTHER PUBLICATIONS

Better Homes & Gardens Feb. 1946; p. 76; item No. 3, Wren House Cluster; (D30-110).

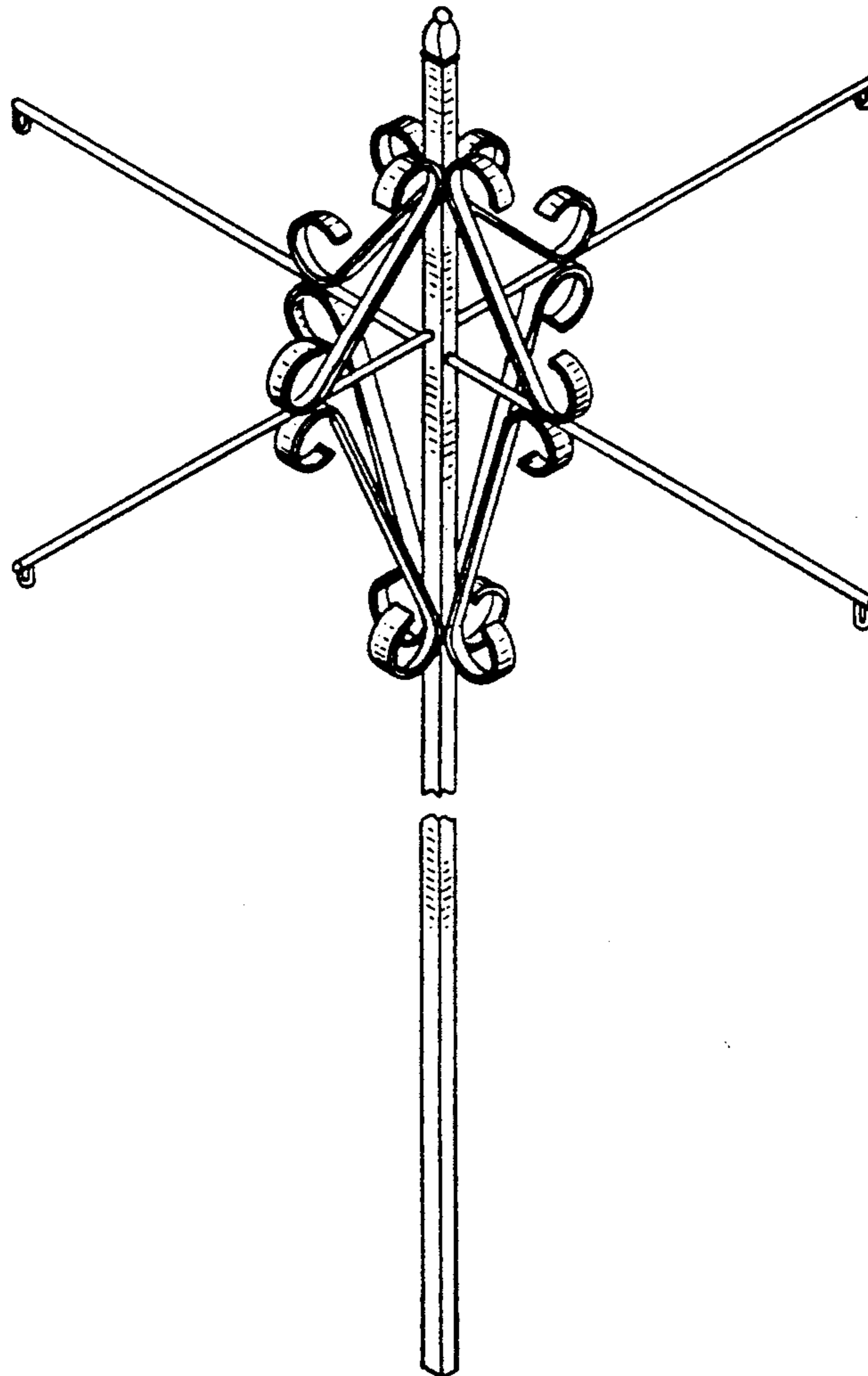
Primary Examiner—A. Hugo Word
Assistant Examiner—Cathy Anne MacCormac
Attorney, Agent, or Firm—Norman B. Rainer

[57] **CLAIM**

The ornamental design for a bird feeder stand, as shown and described.

DESCRIPTION

FIG. 1 is a top and side perspective view of the bird feeder stand showing my new design; FIG. 2 is a side view thereof, all other sides being of identical appearance; and, FIG. 3 is a top plan view thereof. FIGS. 1 and 2 are shown broken away for convenience of illustration and to show indeterminate length.



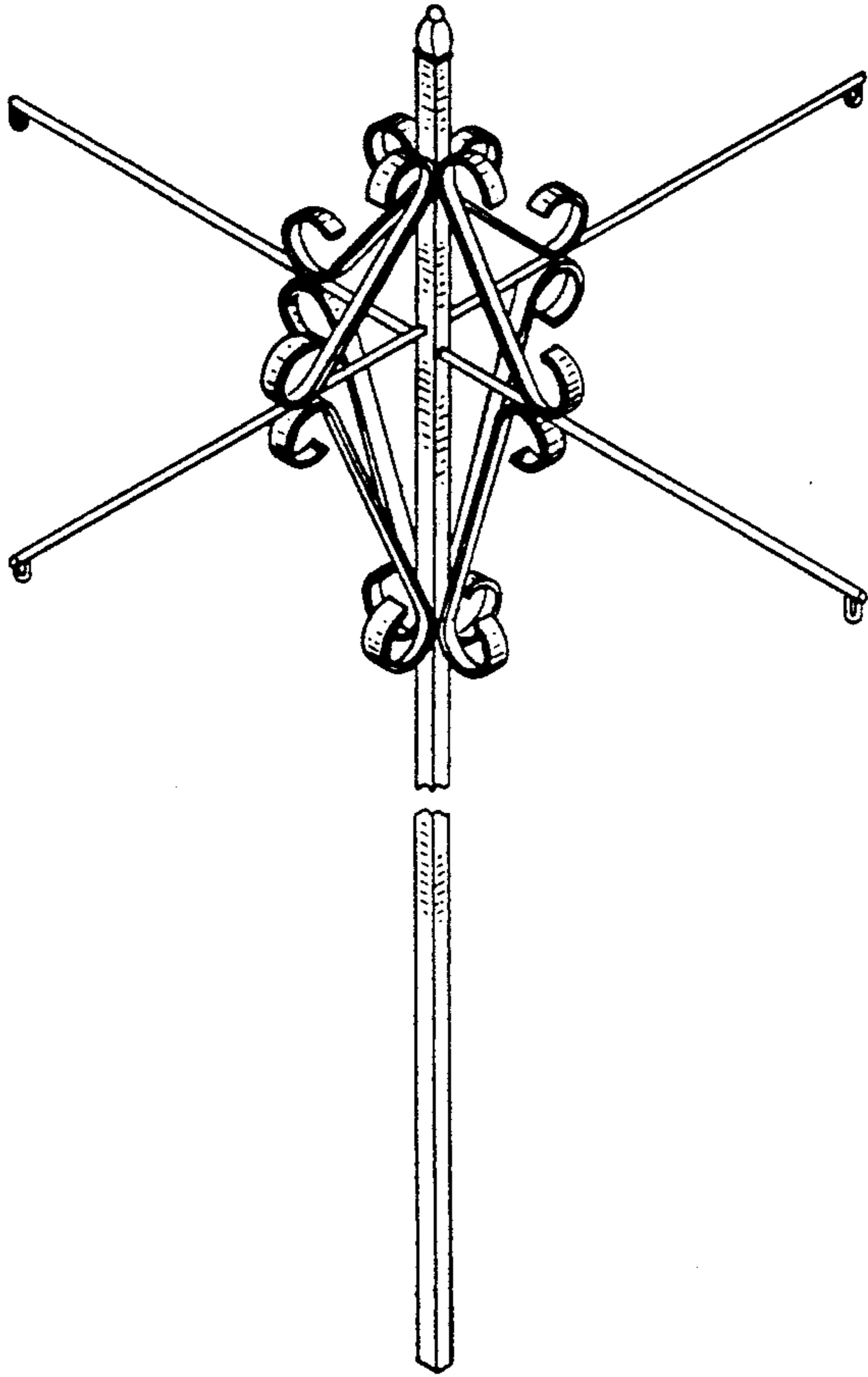


FIG. 1

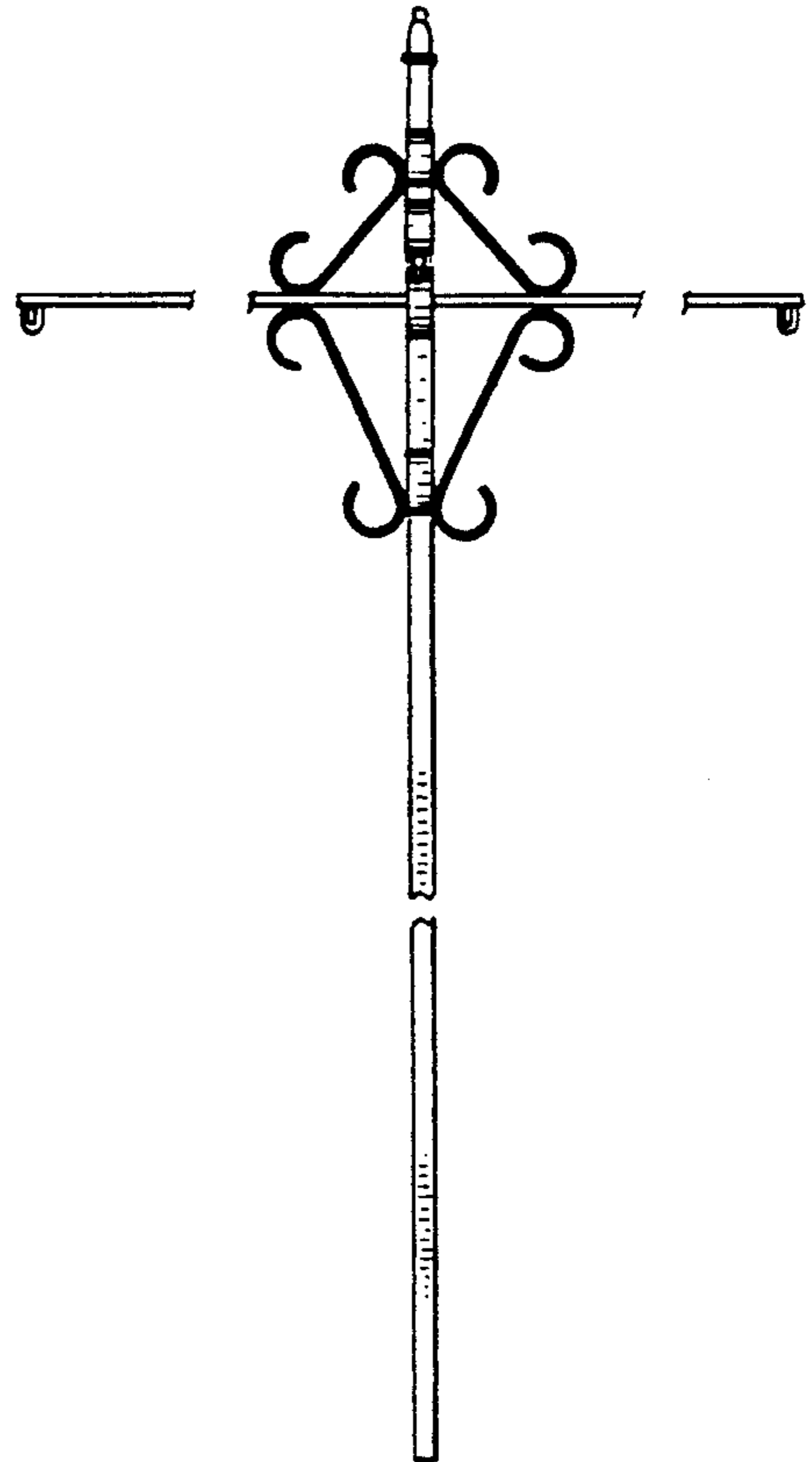


FIG. 2

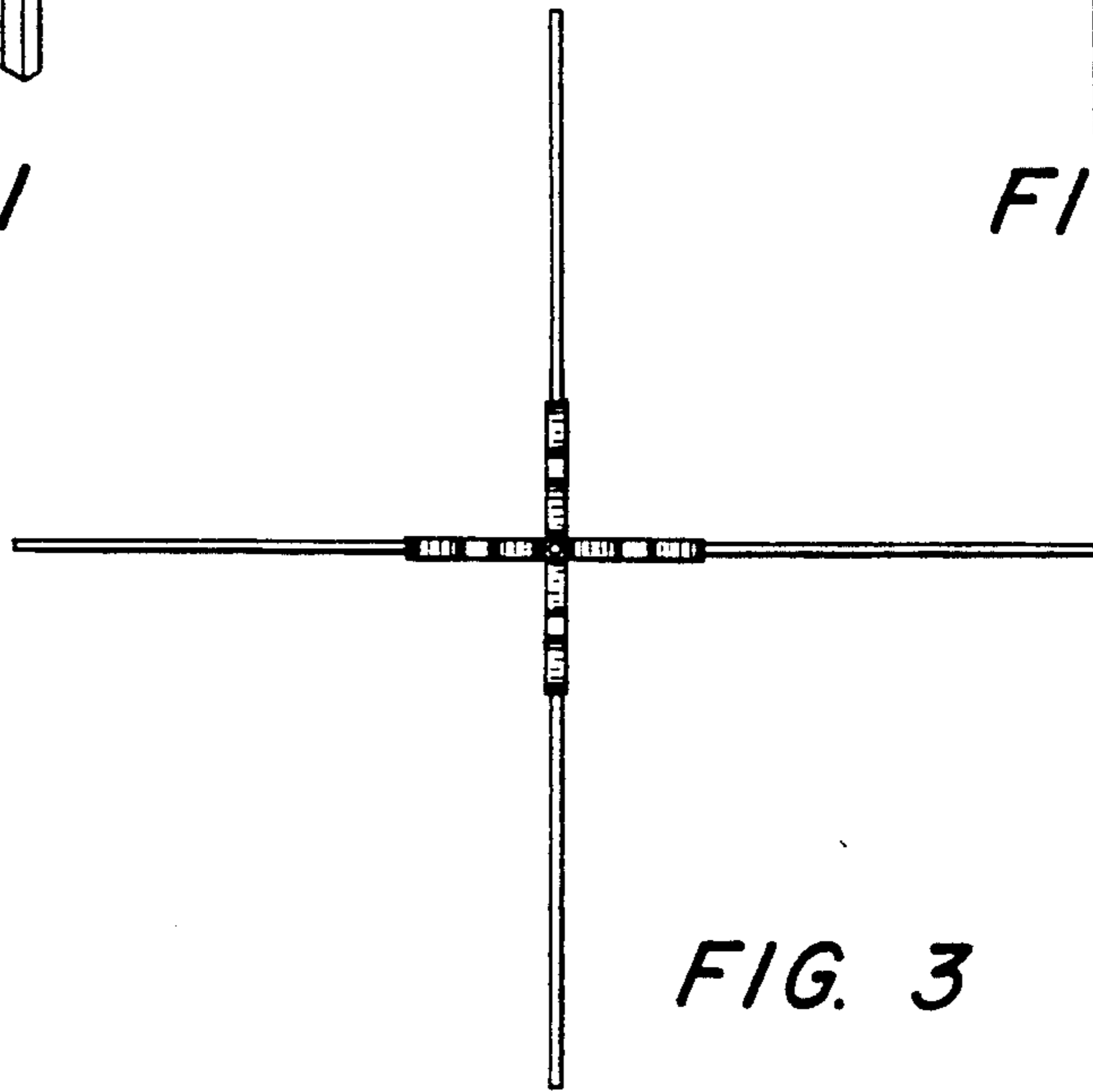


FIG. 3