



US00D341906S

United States Patent [19] Hall-Bembry

[11] Patent Number: Des. 341,906

[45] Date of Patent: ** Nov. 30, 1993

[54] **CURLING IRON**

[76] Inventor: **Anita L. Hall-Bembry**, 2552
Westbrook, Toledo, Ohio 43613

[**] Term: **14 Years**

[21] Appl. No.: **631,046**

[22] Filed: **Dec. 20, 1990**

[52] U.S. Cl. **D28/35**

[58] Field of Search **D28/35; 132/212, 224-229,
132/232, 263, 269; 219/222, 225**

[56] **References Cited**

U.S. PATENT DOCUMENTS

D. 313,870	1/1991	Mastromonaco	D28/35
930,586	8/1909	Wilmont	132/227
1,031,604	7/1912	Wilmont	132/224
1,147,296	7/1915	Biss et al.	132/225
4,151,850	5/1979	Nathe et al.	219/225 X
4,211,914	7/1980	Jackson	219/225
4,533,819	8/1985	Valiulis	132/118 X

FOREIGN PATENT DOCUMENTS

2586537	3/1987	France	219/225
2065471	7/1981	United Kingdom	132/232

OTHER PUBLICATIONS

Digital Typeface Directory 1987, p. 188 under "Universal Astronomical P."; third row from top, fourth symbol from right.

Primary Examiner—Bernard Ansher
Assistant Examiner—C. Tuttle
Attorney, Agent, or Firm—S. Michael Bender

[57] **CLAIM**

The ornamental design for a curling iron, as shown and described.

DESCRIPTION

FIG. 1 is a front elevational view of the curling iron showing my new design;
FIG. 2 is a rear elevational view thereof;
FIG. 3 is a left side elevational view thereof;
FIG. 4 is a right side elevational view thereof;
FIG. 5 is a top plan view thereof;
FIG. 6 is a bottom plan view thereof; and,
FIG. 7 is a perspective view thereof.

The cord portion of the design is shown partially broken away in the various views to indicate indeterminate length.

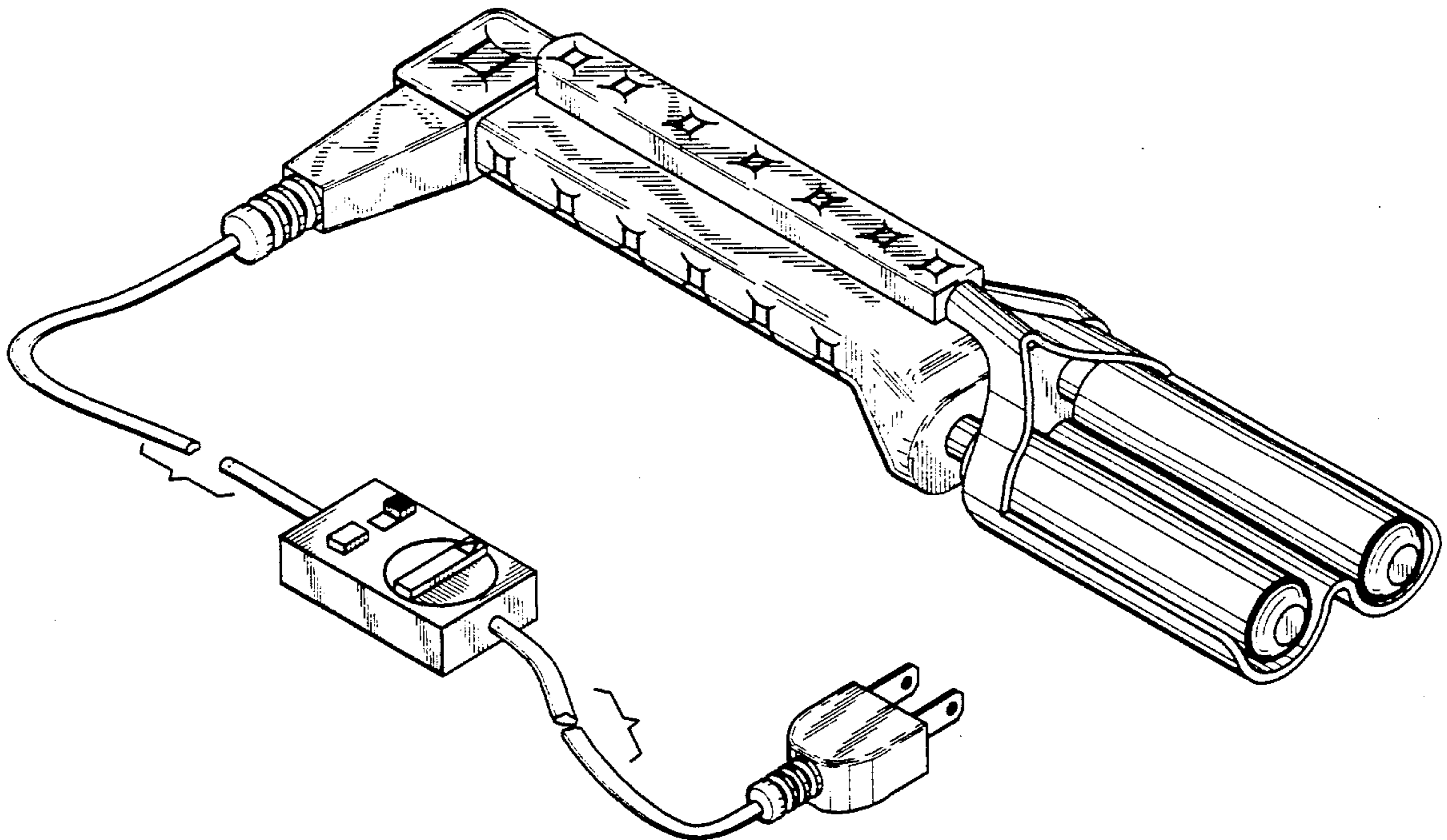


FIG. 1

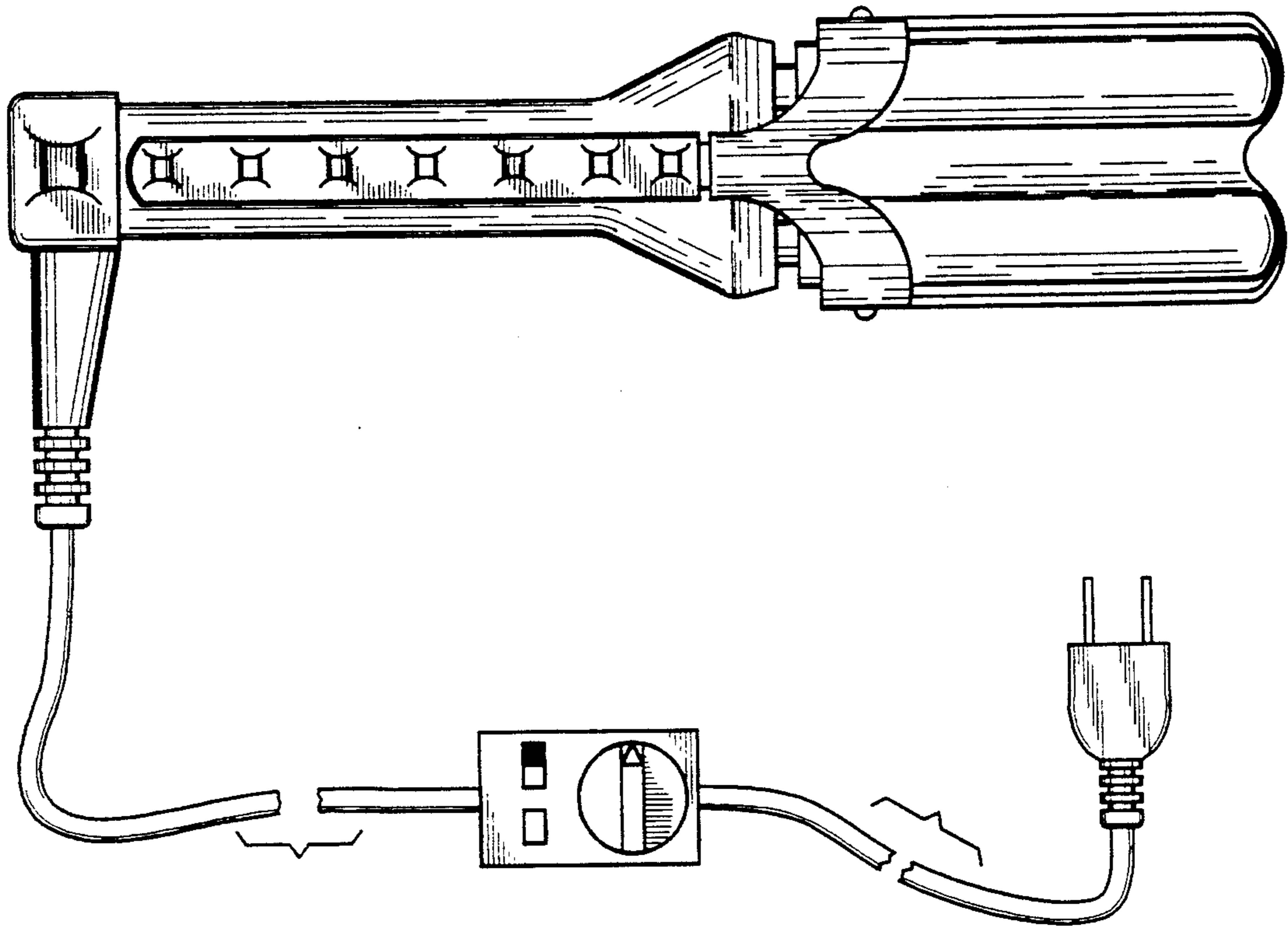


FIG. 2

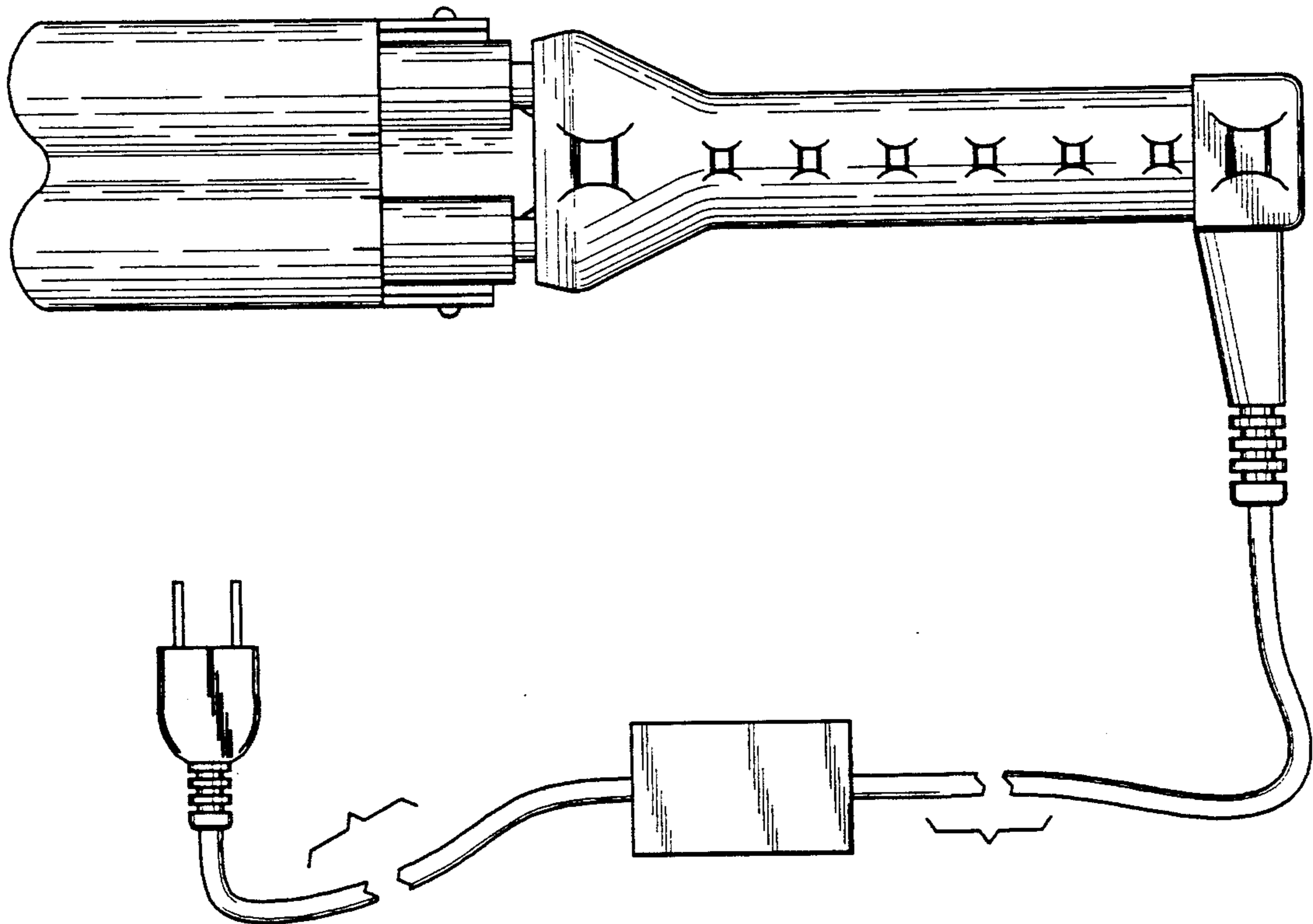


FIG. 3

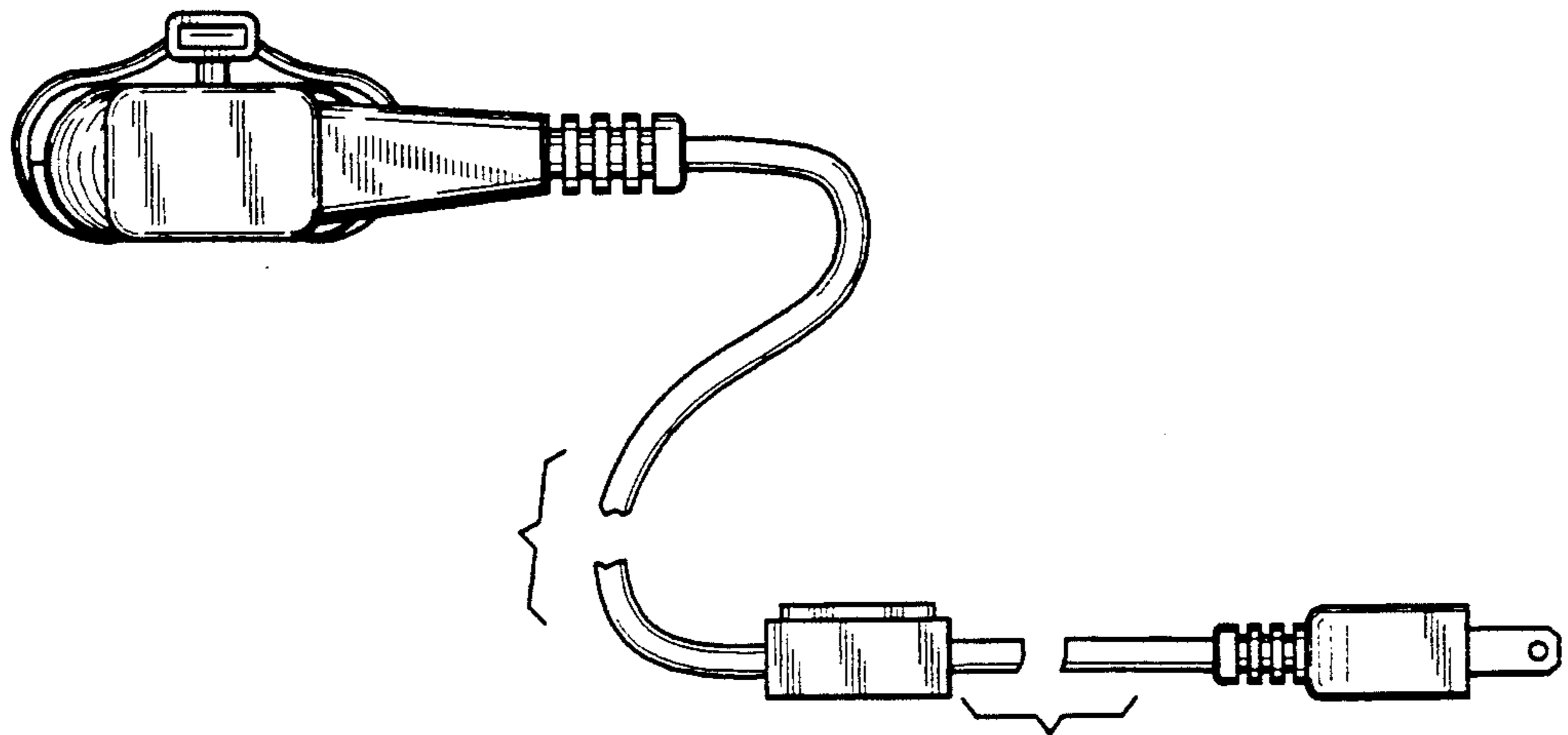


FIG. 4

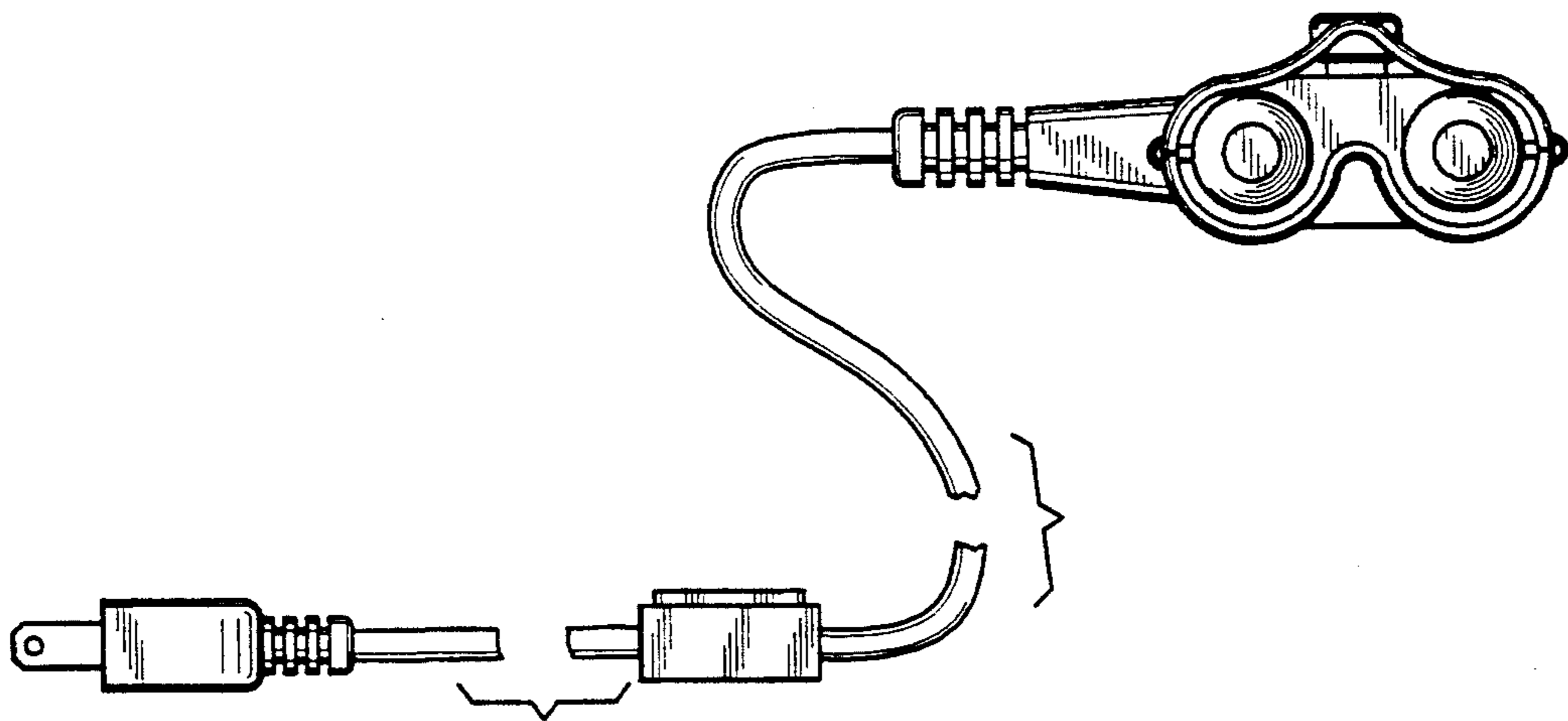


FIG. 5

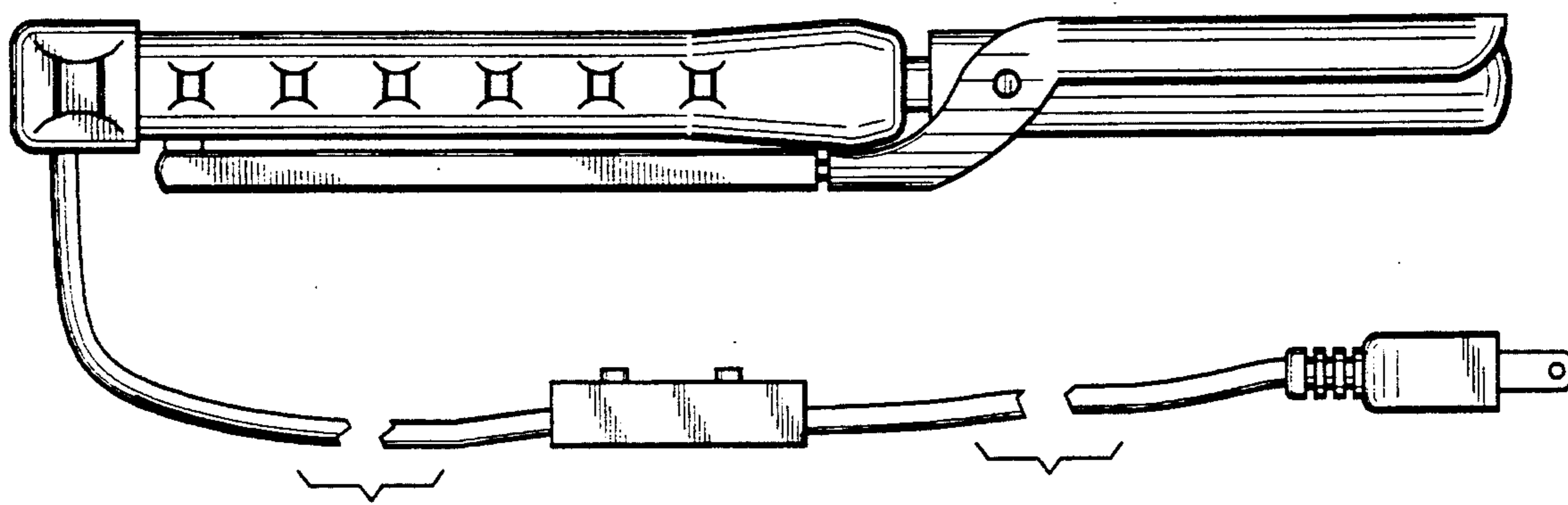


FIG. 6

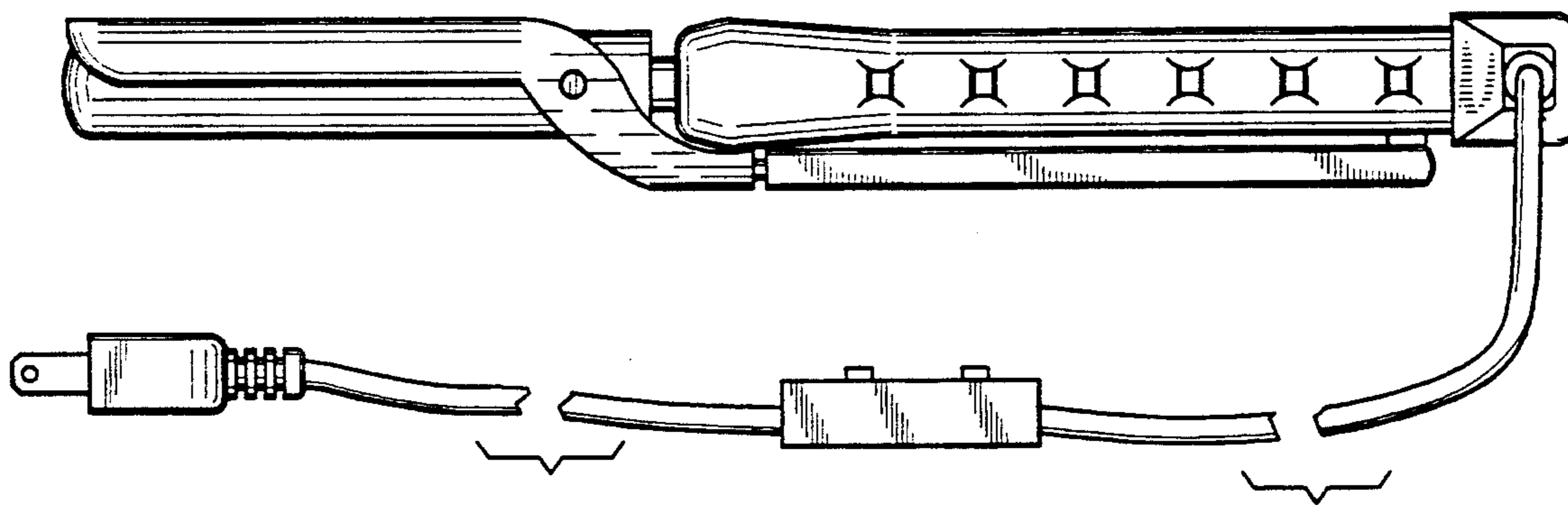


FIG. 7

