



US00D341901S

United States Patent [19]

[11] Patent Number: **Des. 341,901**

Monaghan

[45] Date of Patent: **** Nov. 30, 1993**

[54] OUTDOOR OVERHEAD LAMP FIXTURE

[76] Inventor: **Thomas R. Monaghan**, 1705 Lemon Ave., Englewood, Fla. 34223

[**] Term: **14 Years**

[21] Appl. No.: **771,924**

[22] Filed: **Oct. 4, 1991**

[52] U.S. Cl. **D26/87; D26/67**

[58] Field of Search **D26/72, 80-92, D26/67; 362/147, 432, 404-408, 431**

[56] **References Cited**

U.S. PATENT DOCUMENTS

D. 95,226	4/1935	Cowan	D26/87
5,006,968	4/1991	Miller	362/147

OTHER PUBLICATIONS

Harry Gitlin Lighting Information Sheet Series 21005/21015, Surface Downlight-Square.

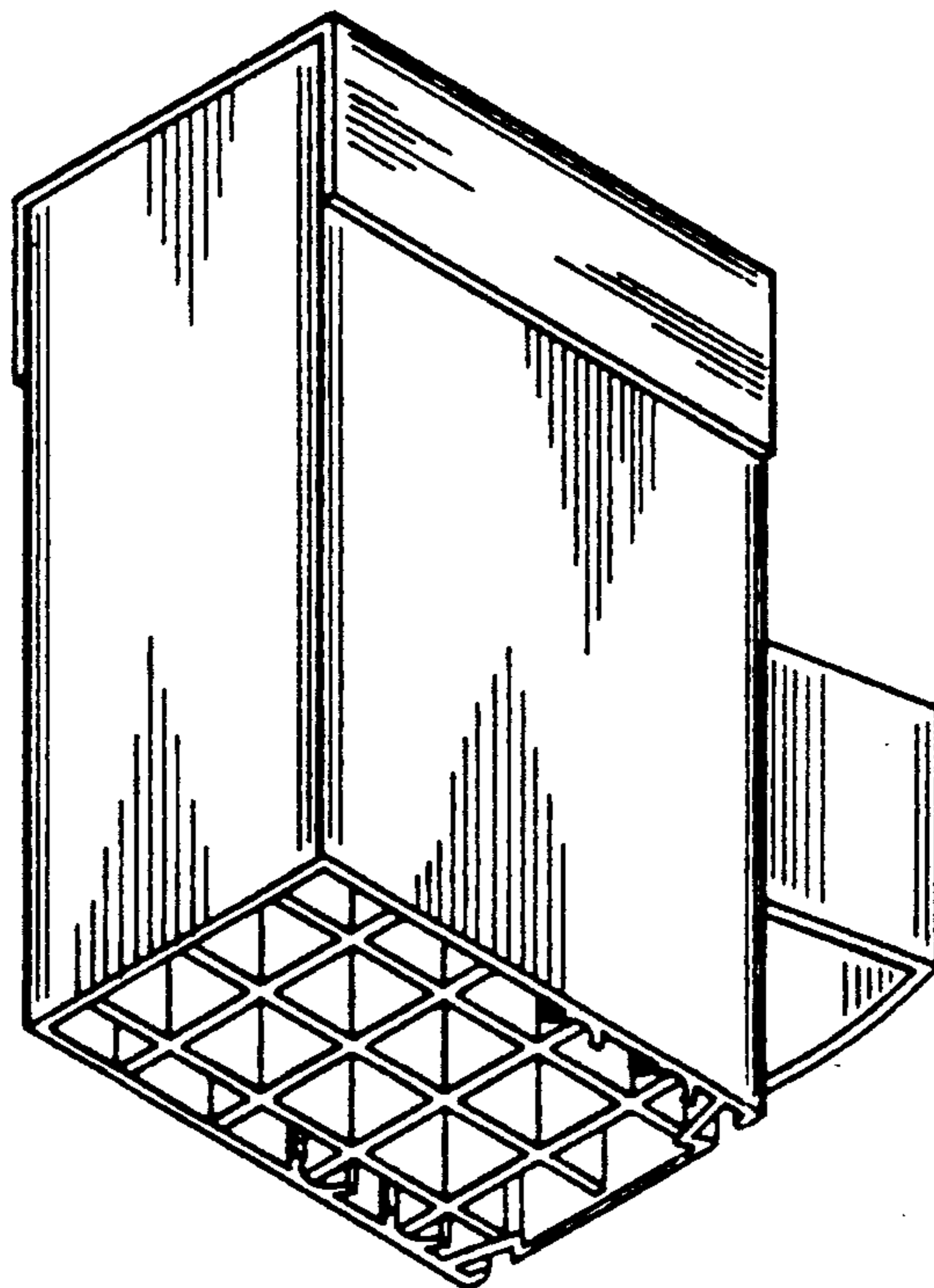
Primary Examiner—Susan J. Lucas
Attorney, Agent, or Firm—Gifford, Groh, Sprinkle, Patmore & Anderson

[57] **CLAIM**

The ornamental design of an outdoor overhead lamp fixture, as shown and described.

DESCRIPTION

FIG. 1 is a perspective view of a outdoor overhead lamp fixture showing my new design; FIG. 2 is a side elevational view; FIG. 3 is an end view; FIG. 4 is a top plan view; FIG. 5 is a bottom view; and, FIG. 6 is an end view showing the end opposite to FIG. 3.



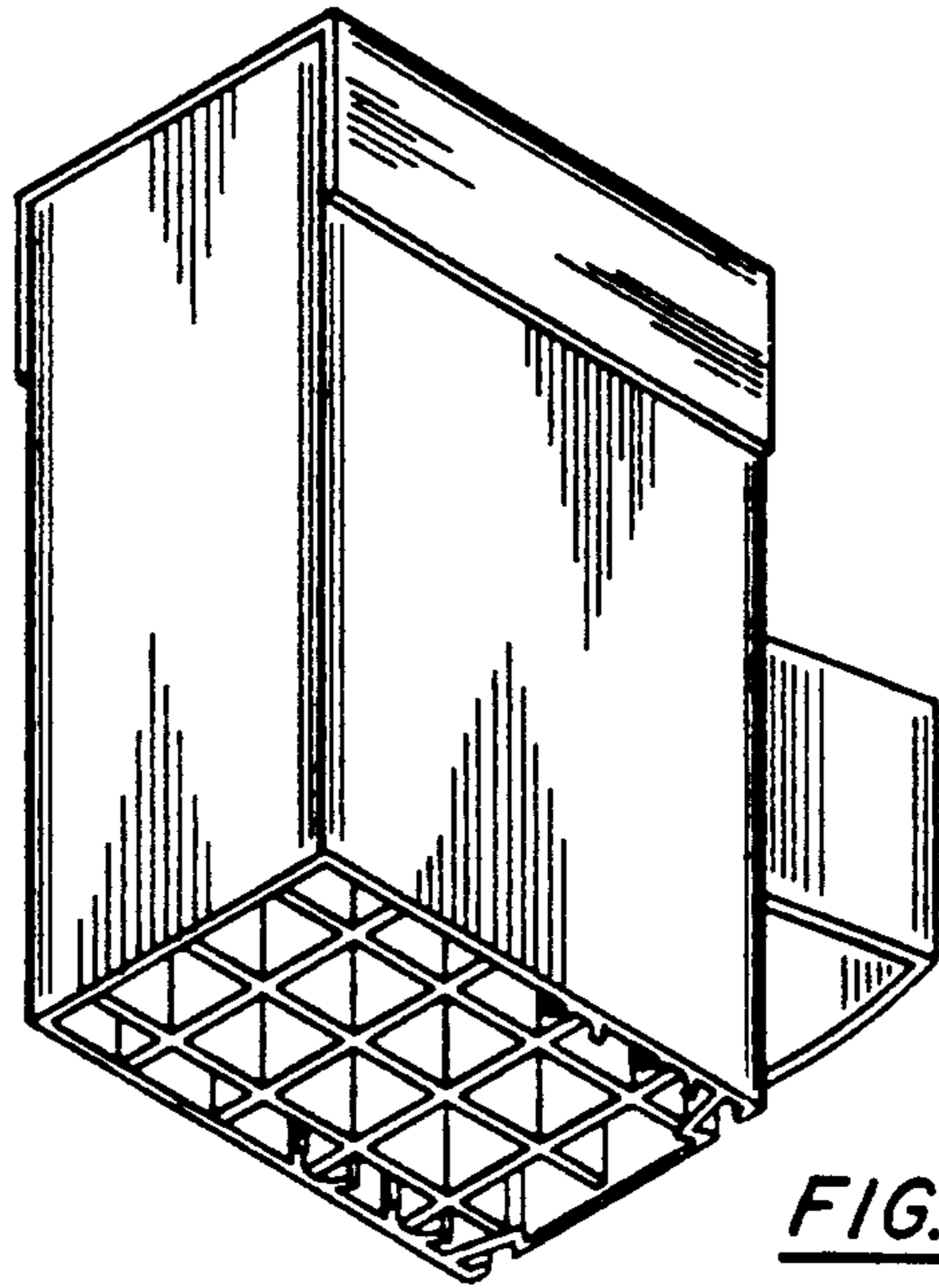


FIG. 1

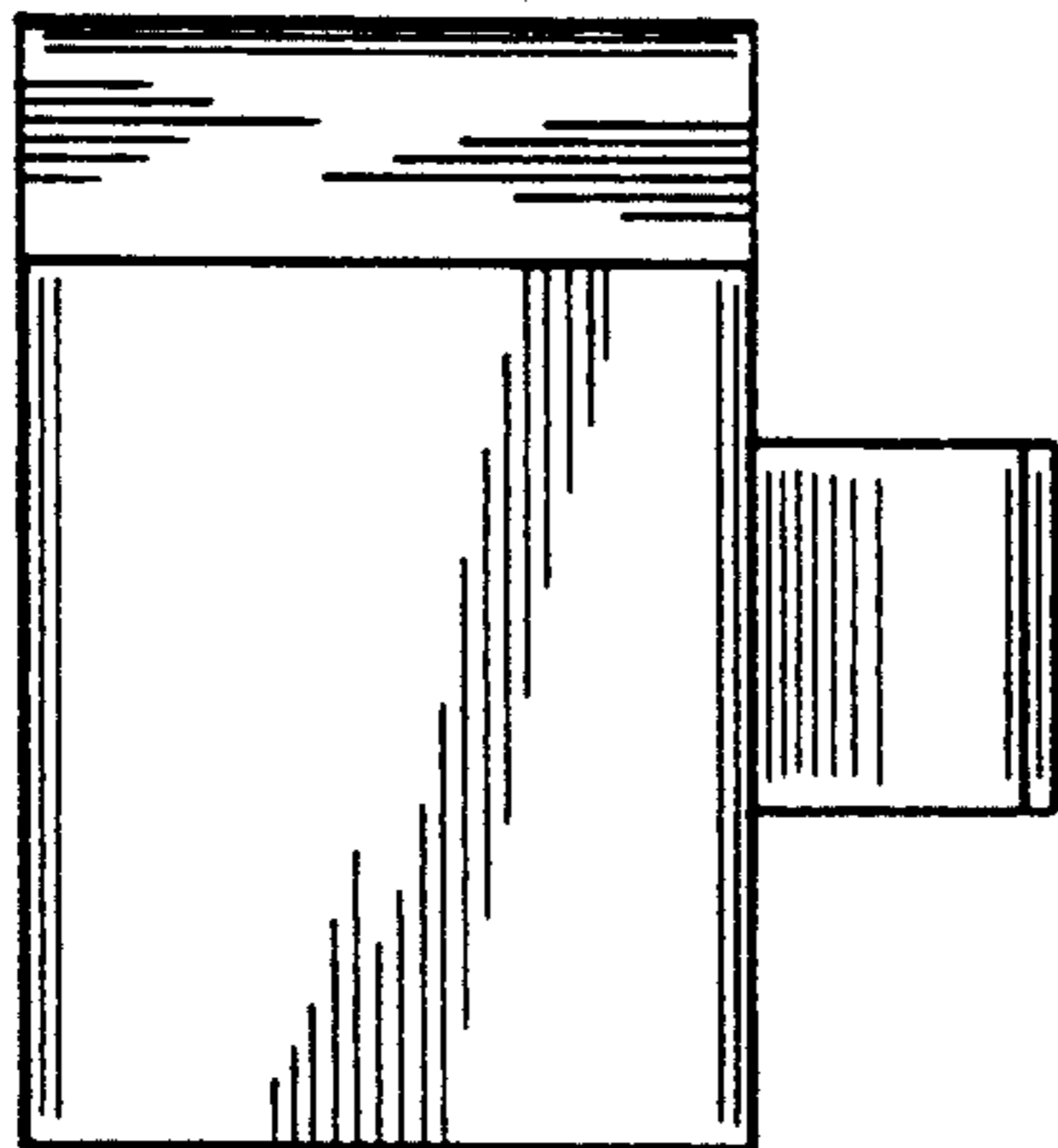


FIG. 2

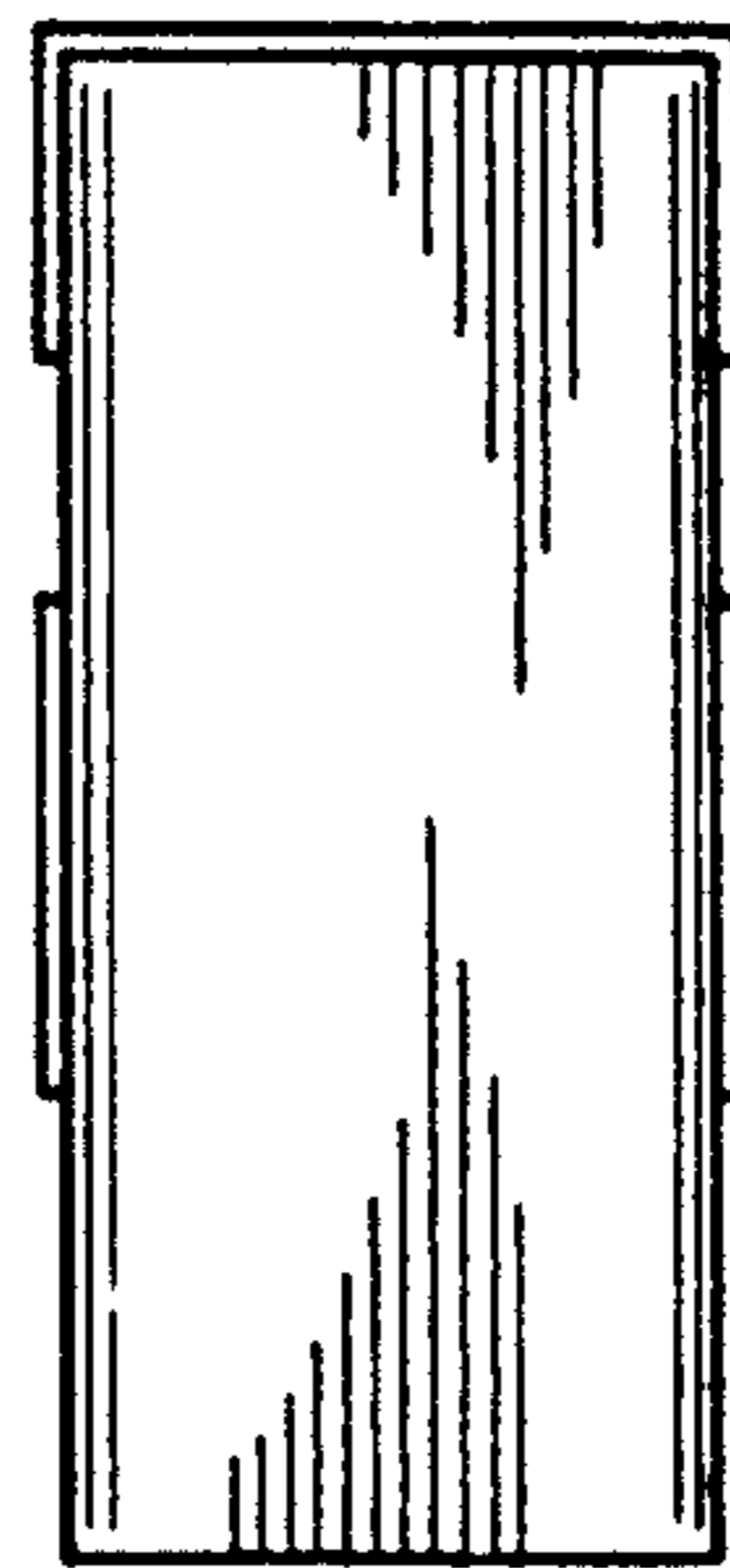


FIG. 3

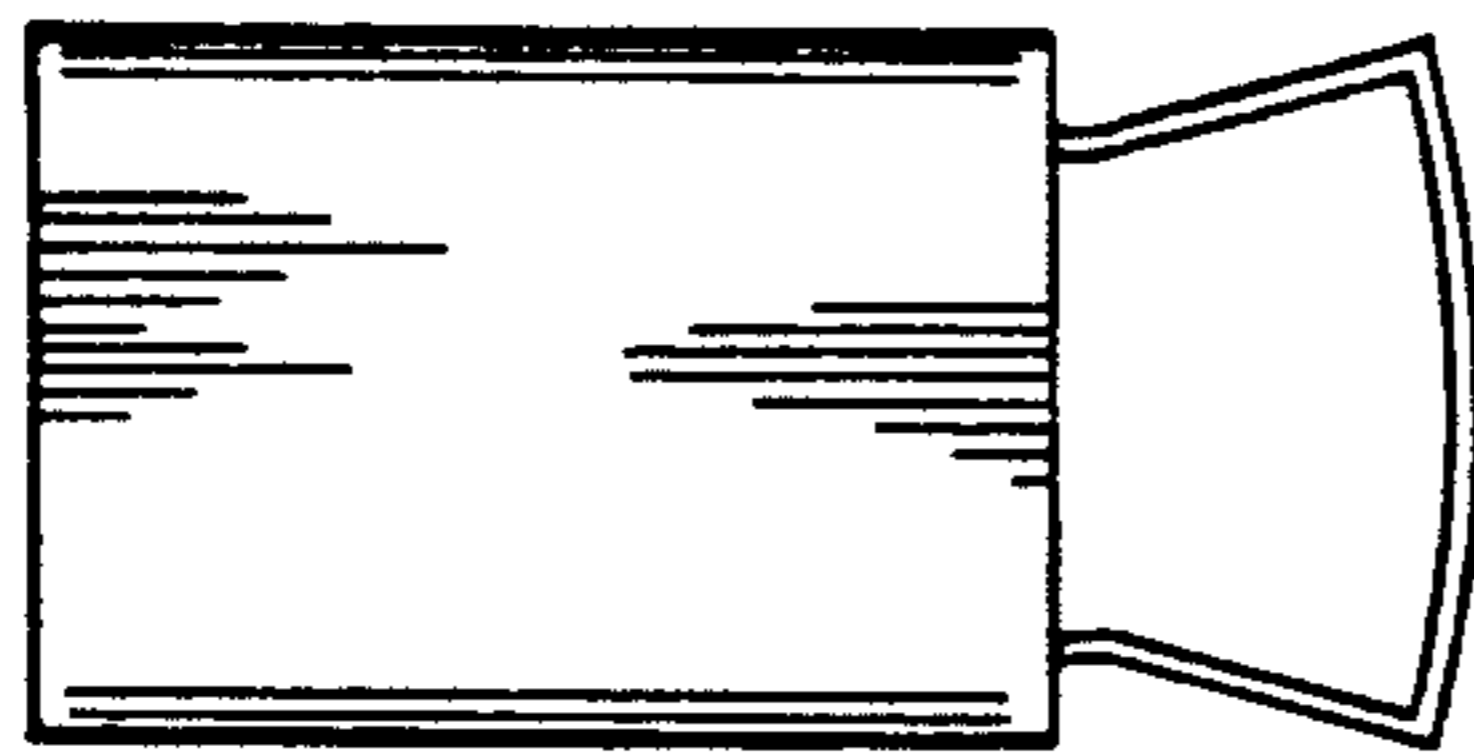


FIG. 4

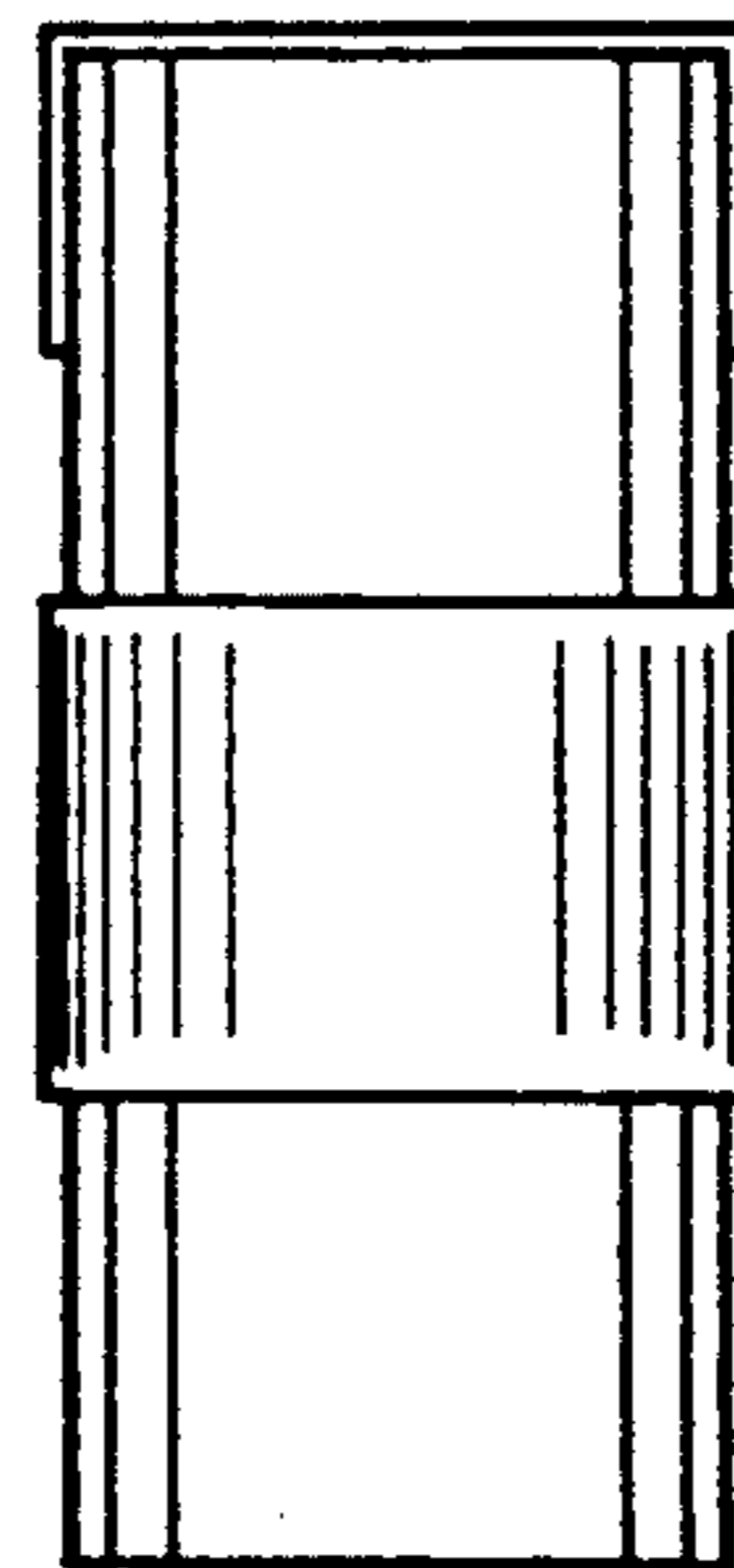


FIG. 6

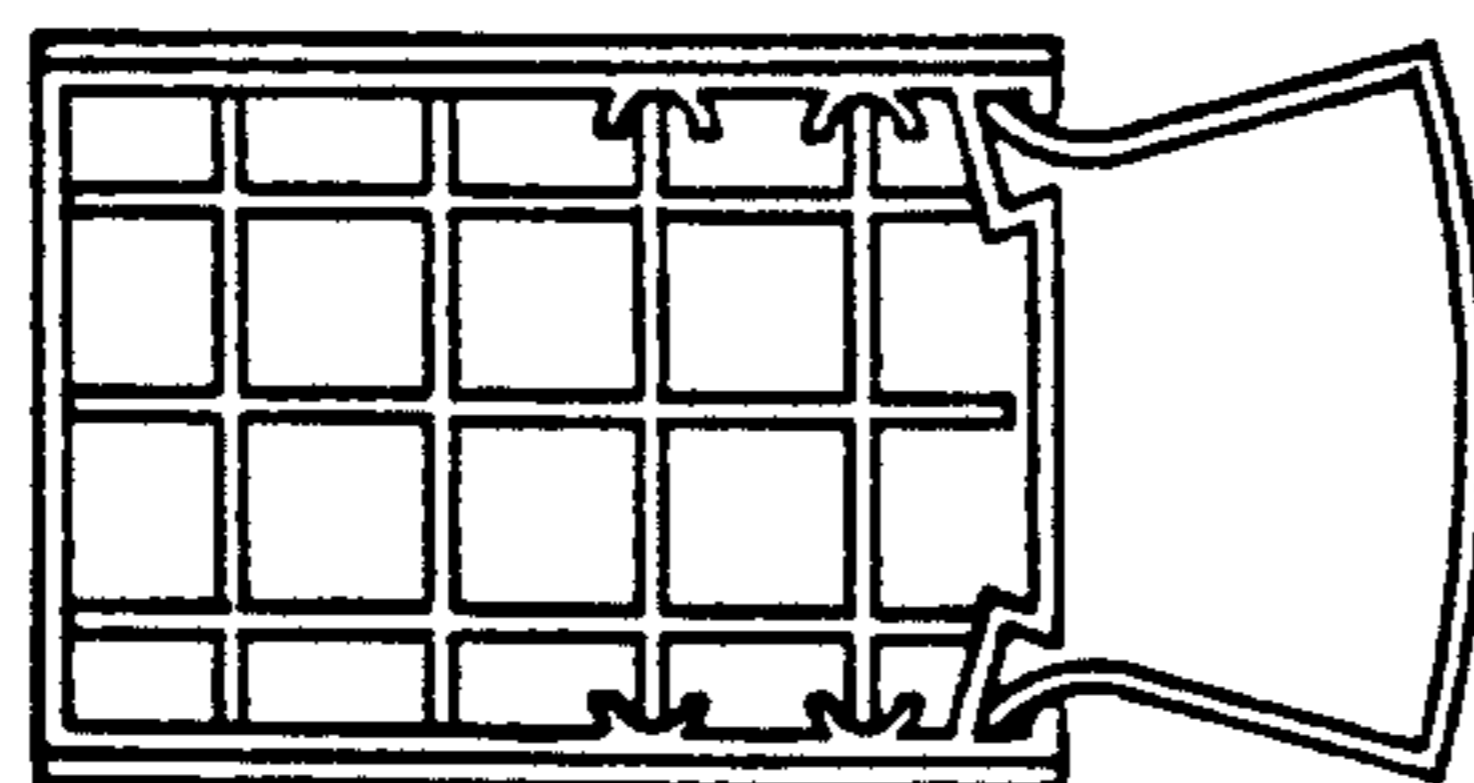


FIG. 5