



US00D341900S

# United States Patent [19]

[11] Patent Number: Des. 341,900

Yuen

[45] Date of Patent: \*\* Nov. 30, 1993

[54] COMBINED EMERGENCY FLASHLIGHT AND AM/FM RADIO

[56] References Cited

[75] Inventor: John S. Yuen, Kowloon, Hong Kong

### U.S. PATENT DOCUMENTS

[73] Assignee: John Manufacturing Limited, Kowloon, Hong Kong

- D. 280,442 9/1985 Ohashi ..... D26/38
- D. 293,482 12/1987 Geissler ..... D26/40
- D. 294,698 3/1988 Yuen ..... D26/38 X
- D. 320,600 10/1991 Yuen ..... D14/168
- D. 321,568 11/1991 Yuen ..... D26/42

[\*] Notice: The portion of the term of this patent subsequent to Oct. 8, 2005 has been disclaimed.

Primary Examiner—Susan J. Lucas  
Attorney, Agent, or Firm—Fay, Sharpe, Beall, Fagan, Minnich & McKee

[\*\*] Term: 14 Years

[57] CLAIM

The ornamental design for a combined emergency flashlight and AM/FM radio, as shown and described.

[21] Appl. No.: 849,138

### DESCRIPTION

[22] Filed: Mar. 10, 1992

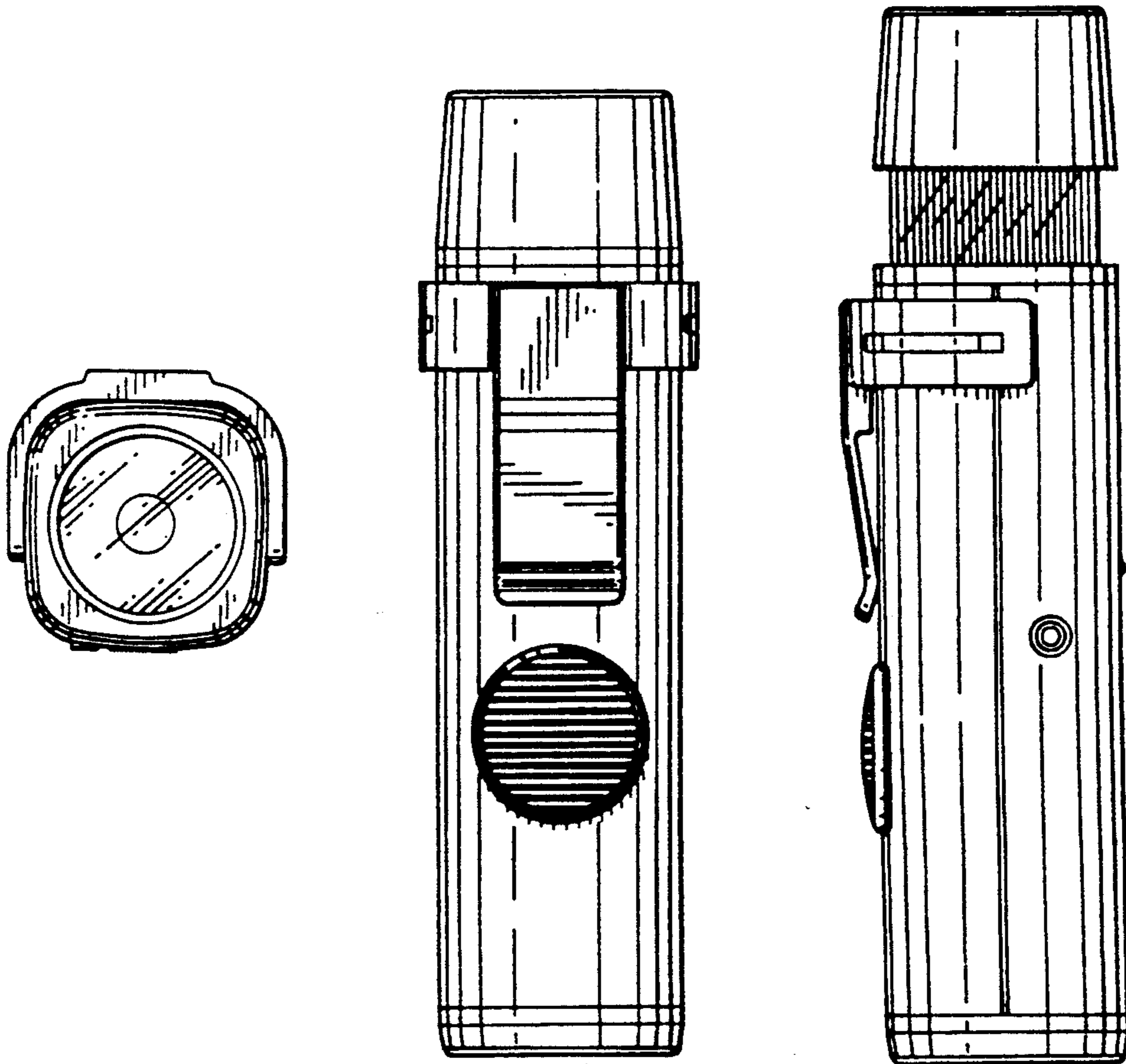
[30] Foreign Application Priority Data

Sep. 11, 1991 [GB] United Kingdom ..... 2017380

[52] U.S. Cl. .... D26/38; D14/168; D26/40

[58] Field of Search ..... D26/37-50; 362/157, 158, 183, 184, 189, 190, 191, 196, 197, 198, 199, 200, 201, 202, 203

FIG. 1 is a top plan view of a combined emergency flashlight and AM/FM radio showing my new design; FIG. 2 is a left side elevational view thereof; FIG. 3 is a front elevational view thereof; FIG. 4 is a right side elevational view thereof; FIG. 5 is a bottom plan view thereof; FIG. 6 is a rear elevational view thereof; and, FIG. 7 is a left side elevational view thereof with the head of the flashlight being extended to show the internal lens.



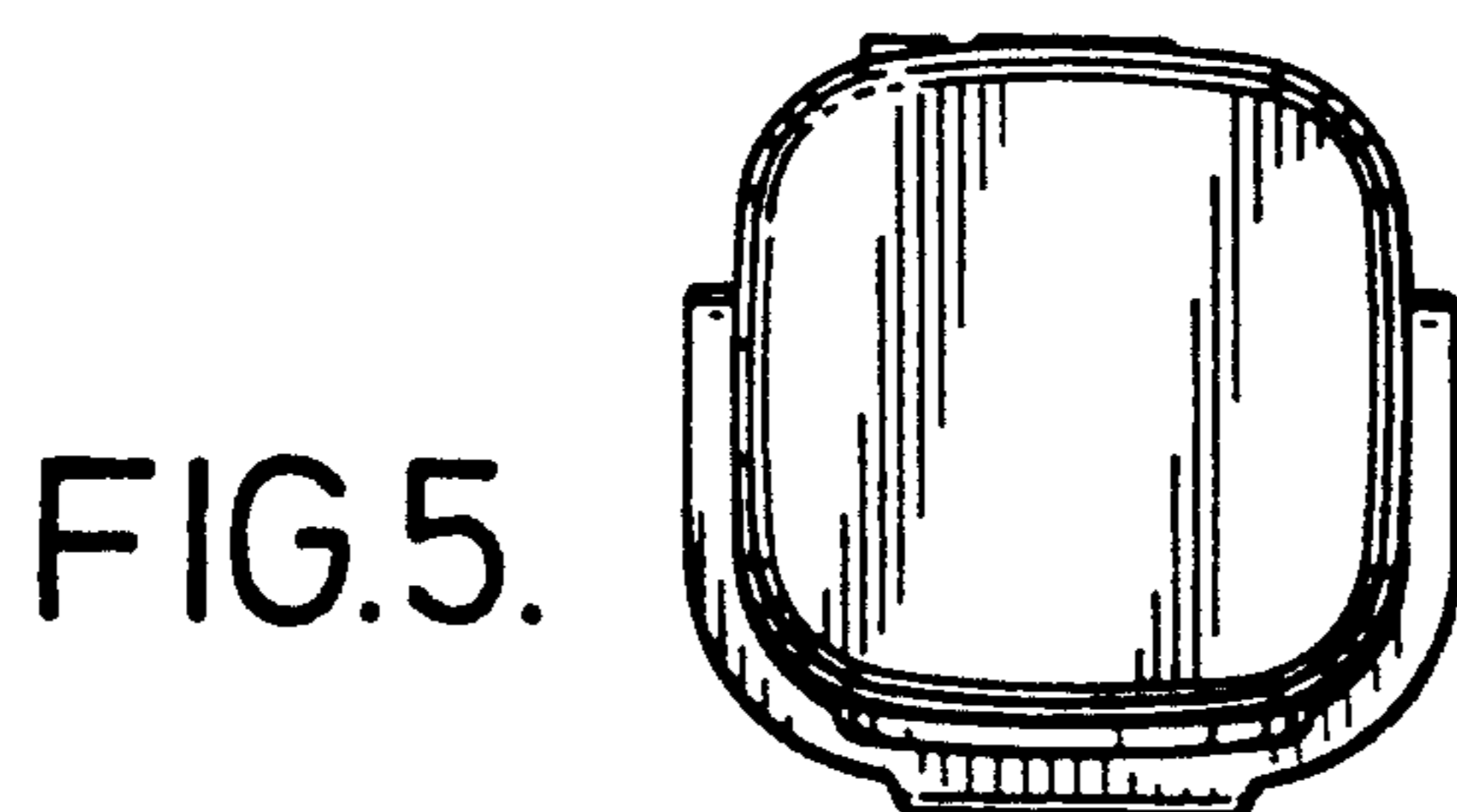
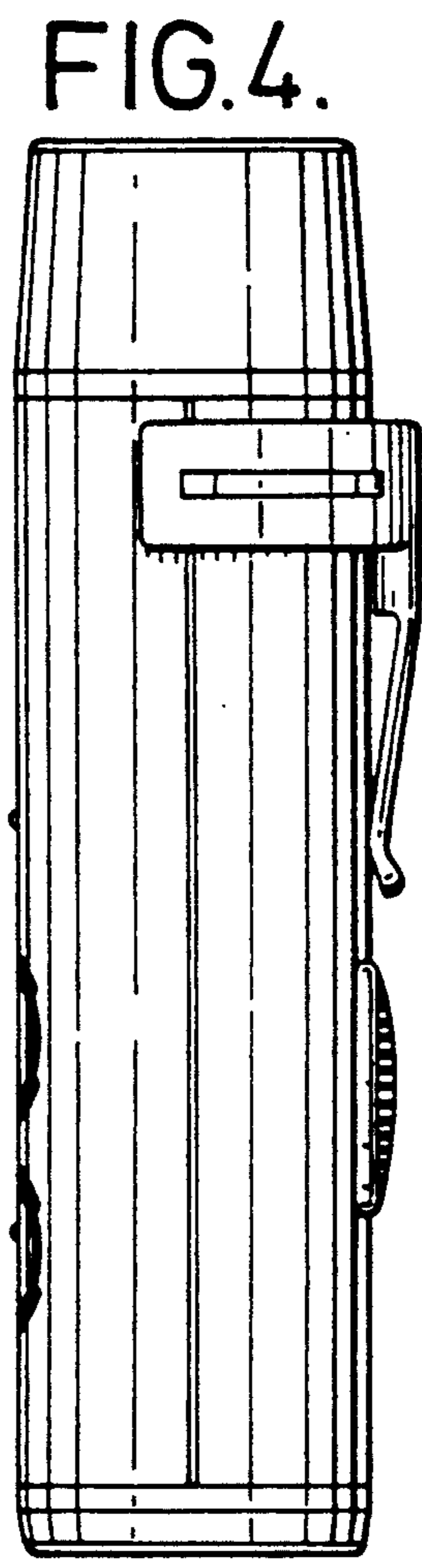
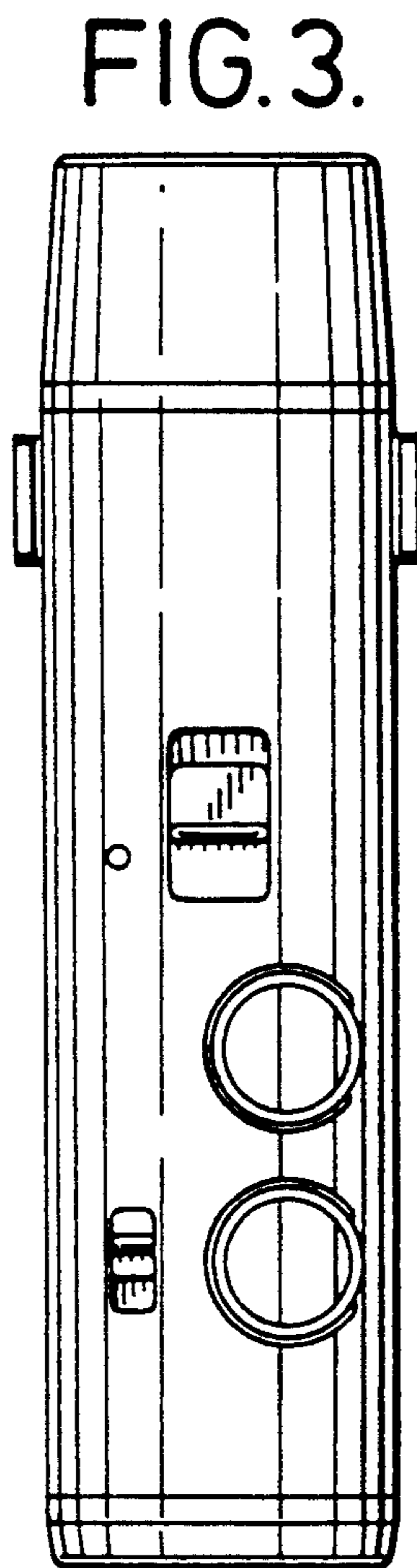
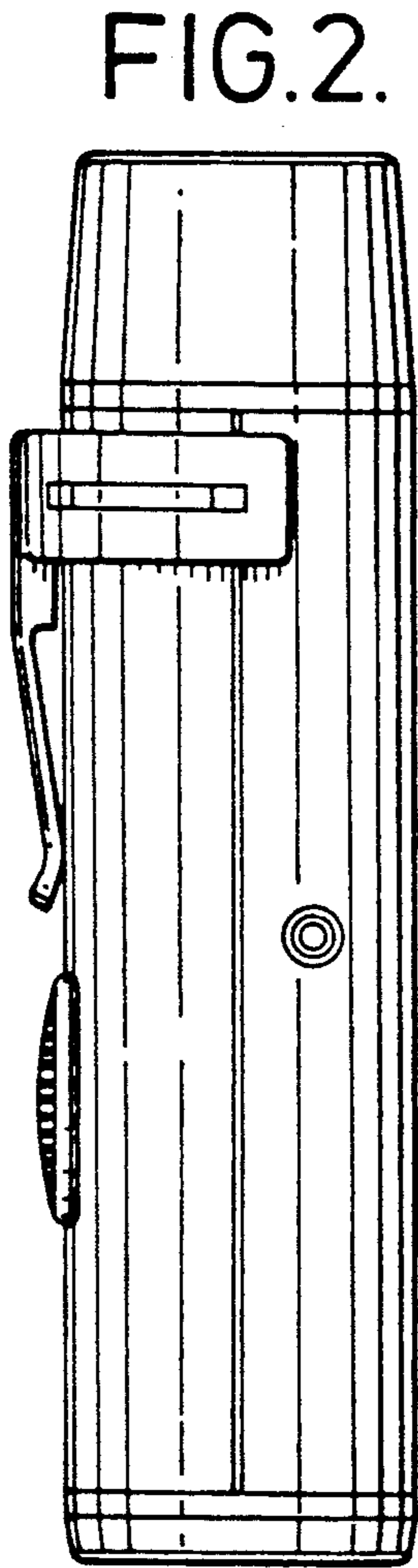
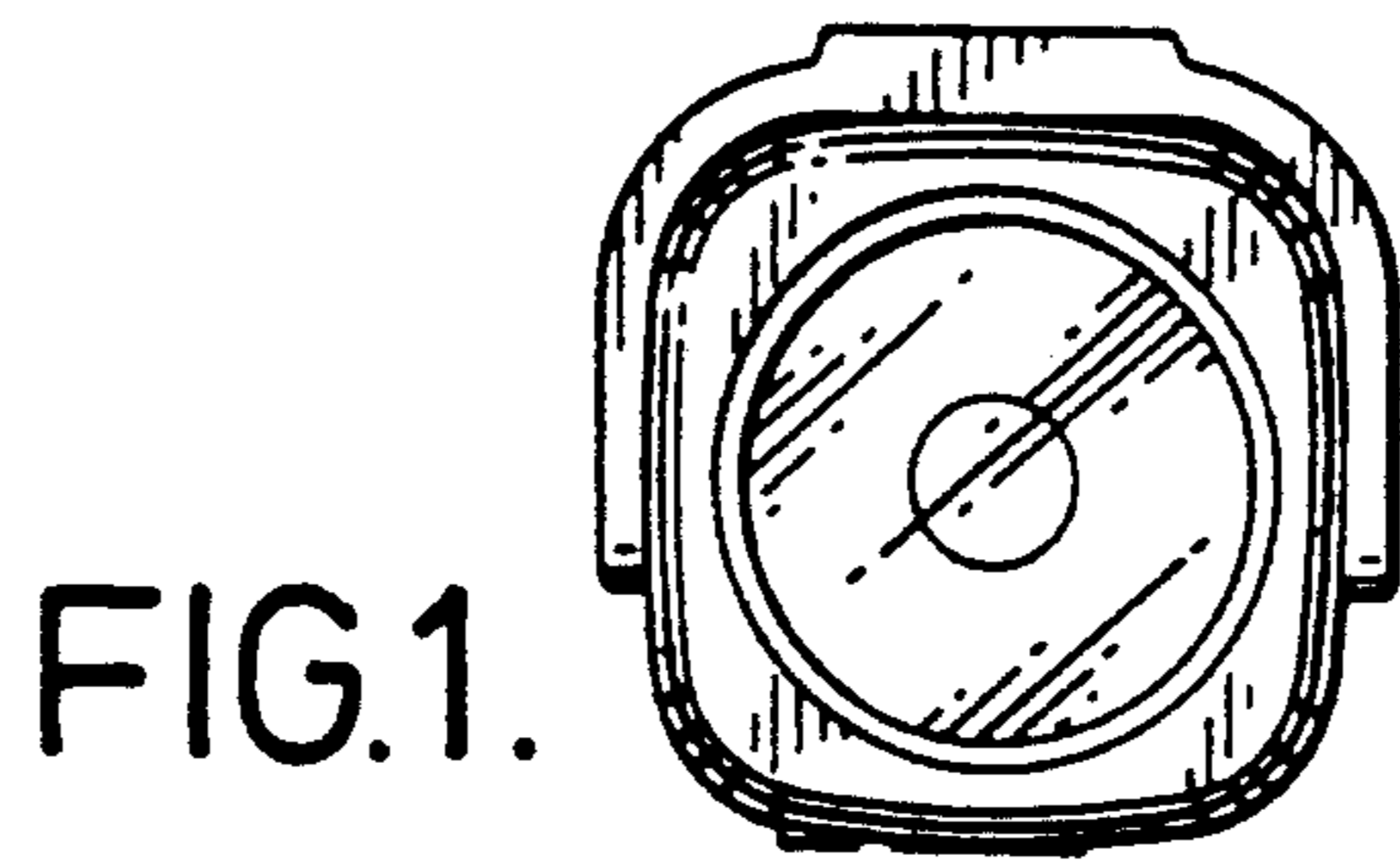


FIG.6.

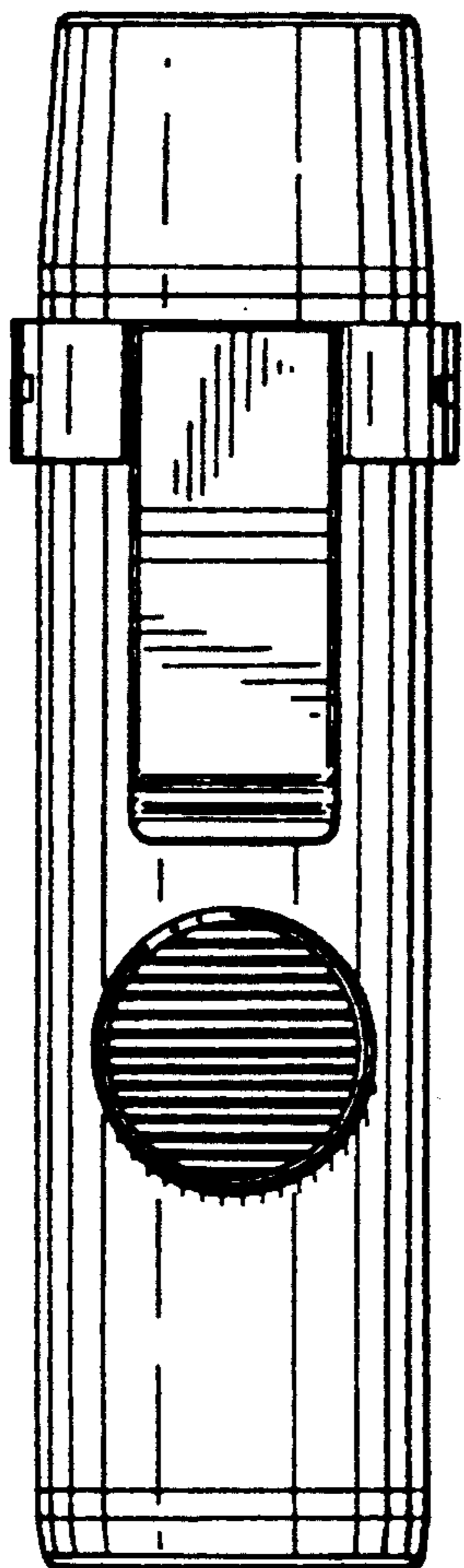


FIG.7.

