



US00D341899S

**United States Patent** [19]  
**Rhinn**

[11] **Patent Number: Des. 341,899**

[45] **Date of Patent: \*\* Nov. 30, 1993**

[54] **ADJUSTABLE TABLE LAMP**

[75] **Inventor: Eric Rhinn, Lyon, France**

[73] **Assignee: Wk Wu Products, Inc., Taipei, Taiwan**

[\*\*] **Term: 14 Years**

[21] **Appl. No.: 837,142**

[22] **Filed: Feb. 19, 1992**

[52] **U.S. Cl. .... D26/65; D26/66**

[58] **Field of Search .... D26/60-66; 362/410-414, 417, 418, 427, 269, 275, 285**

[56] **References Cited**

**U.S. PATENT DOCUMENTS**

- D. 251,870 5/1979 Ekuan ..... D26/66
- D. 310,728 9/1990 Lu ..... D26/65

- D. 329,918 9/1992 Hsia ..... D26/65
- 2,123,103 7/1938 Fischel ..... 362/427 X

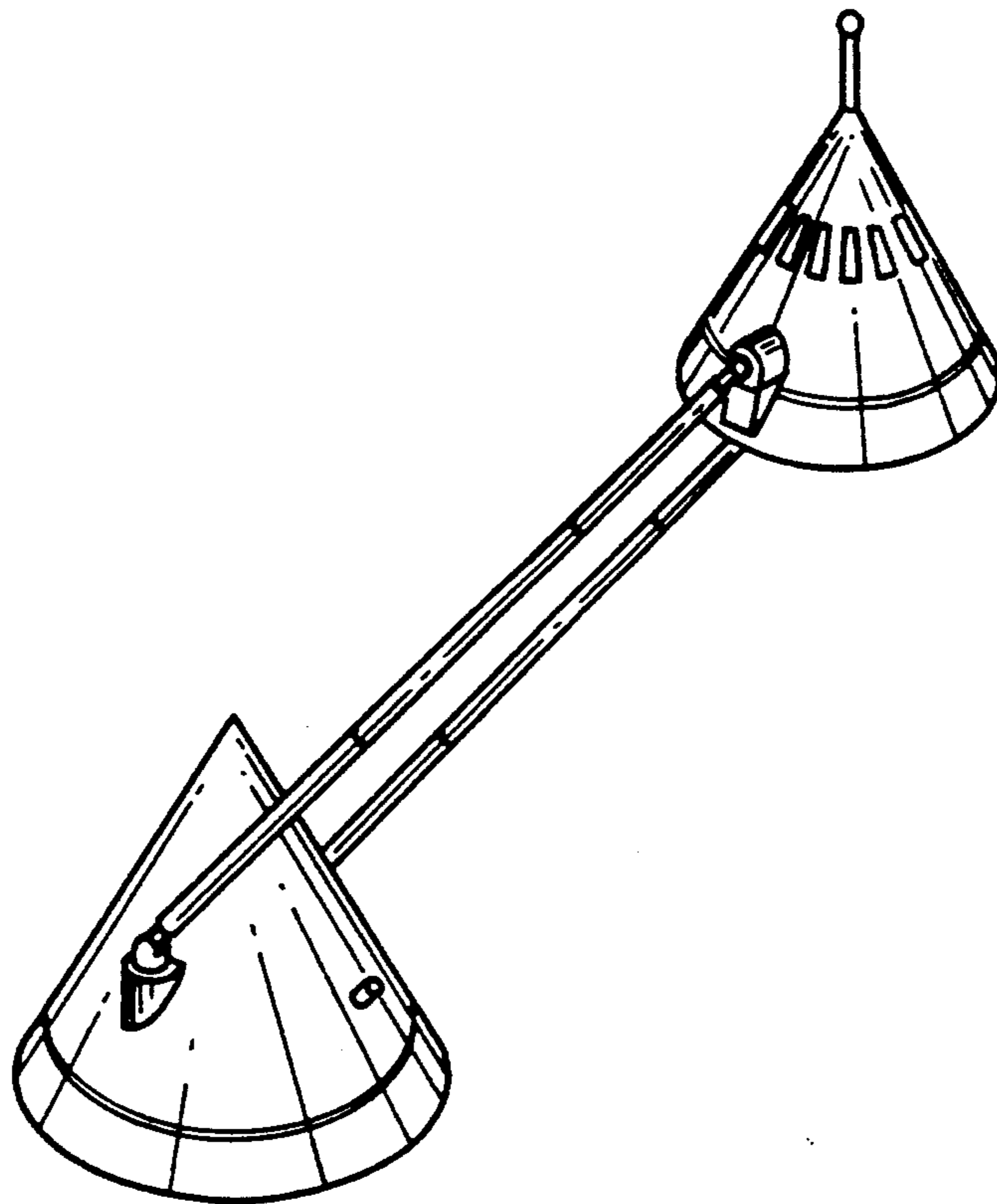
*Primary Examiner*—Susan J. Lucas  
*Attorney, Agent, or Firm*—Bacon & Thomas

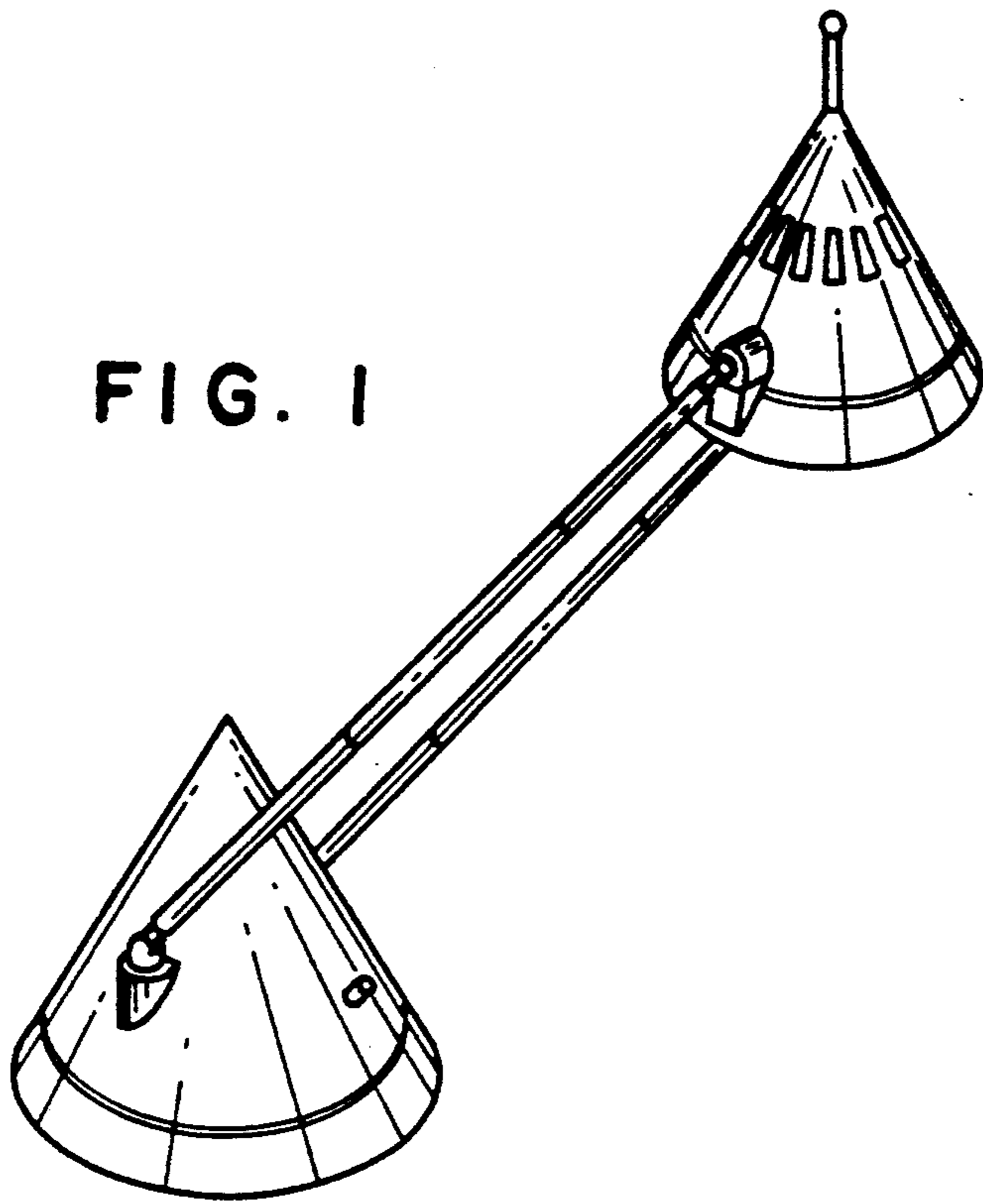
[57] **CLAIM**

The ornamental design for an adjustable table lamp, as shown and described.

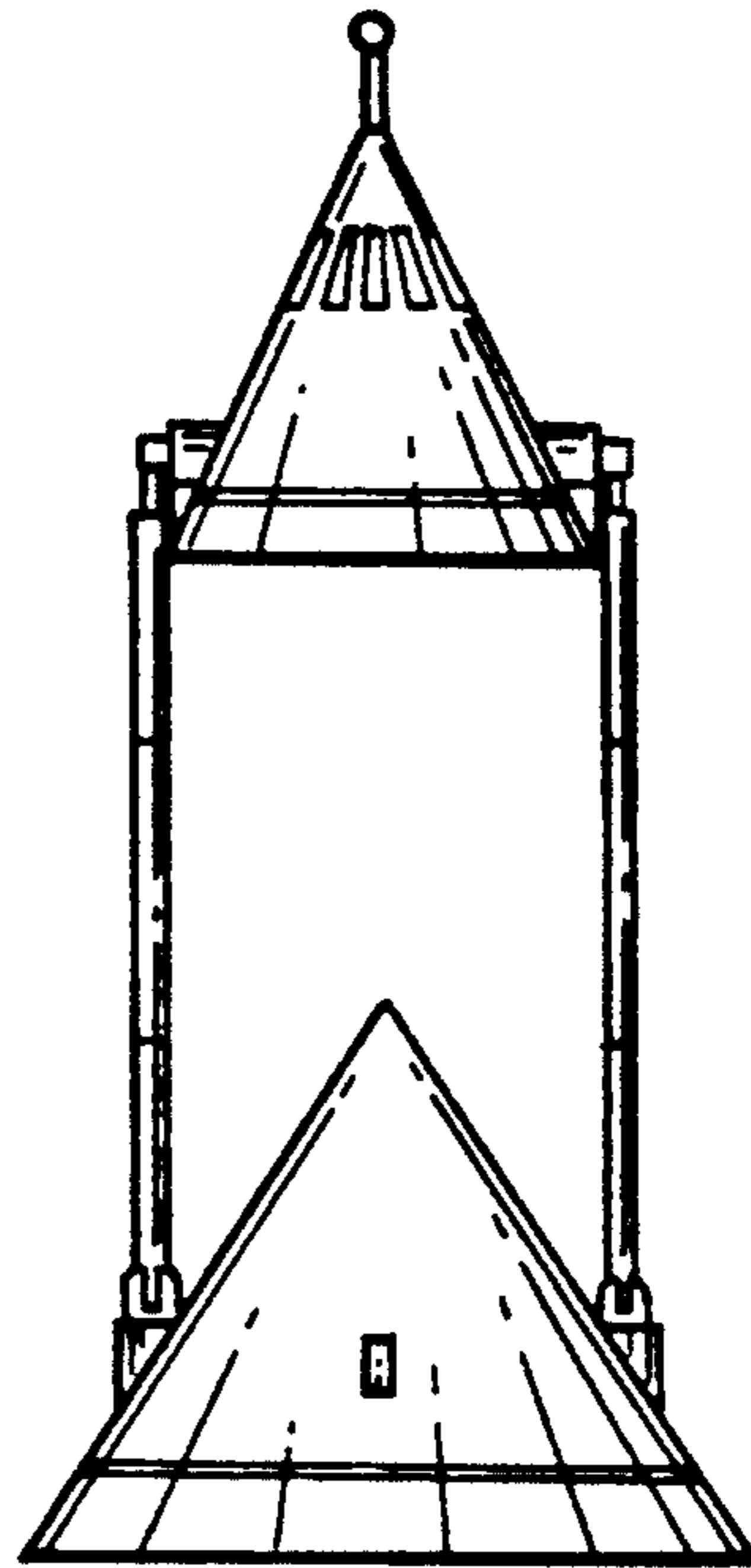
**DESCRIPTION**

FIG. 1 is a perspective view of an adjustable table lamp in accordance with the design;  
 FIG. 2 is a front elevational view thereof;  
 FIG. 3 is a rear elevational view thereof;  
 FIG. 4 is a left side elevational view thereof;  
 FIG. 5 is a right side elevational view thereof;  
 FIG. 6 is a top plan view thereof; and,  
 FIG. 7 is a bottom plan view thereof.





**FIG. 2**



**FIG. 3**

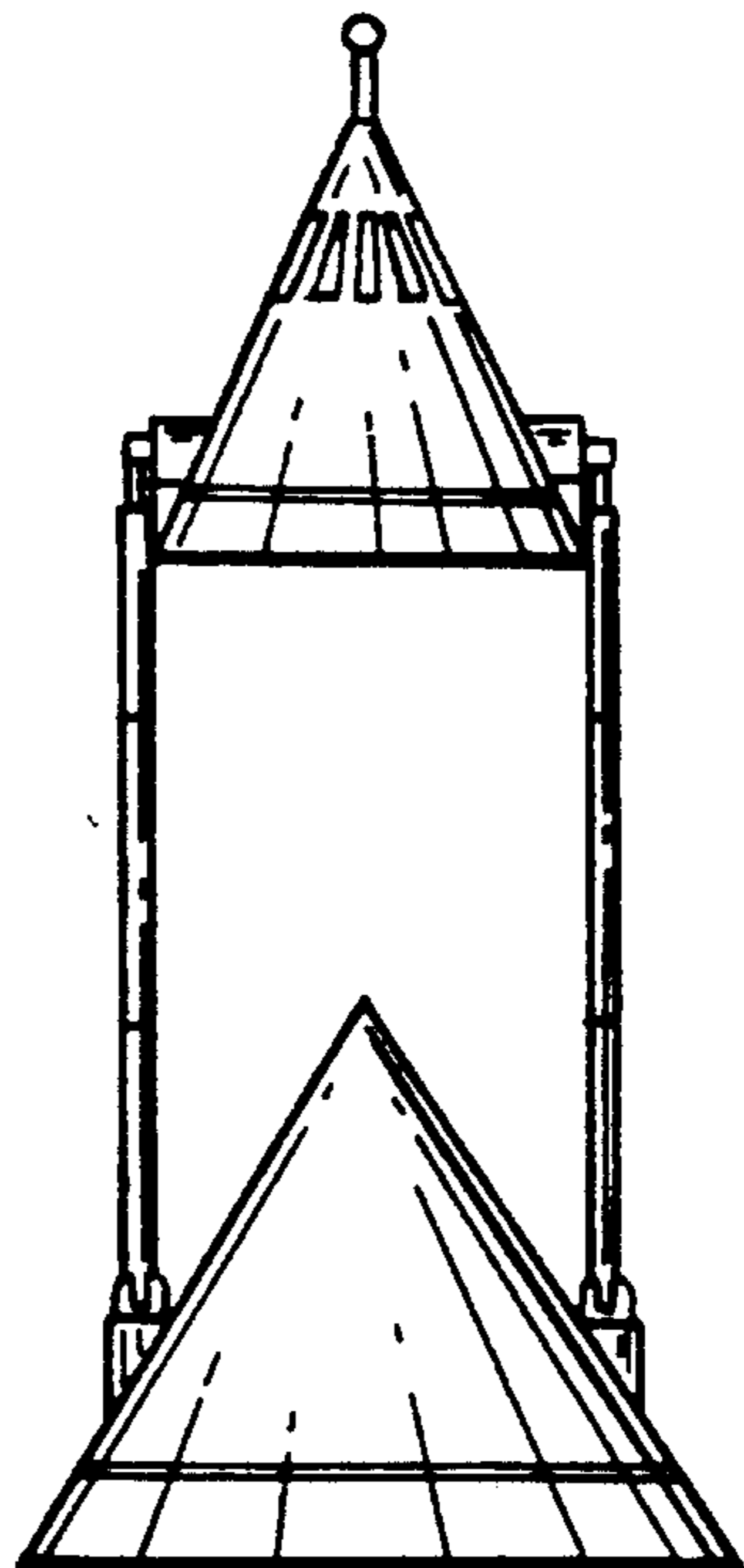


FIG. 5

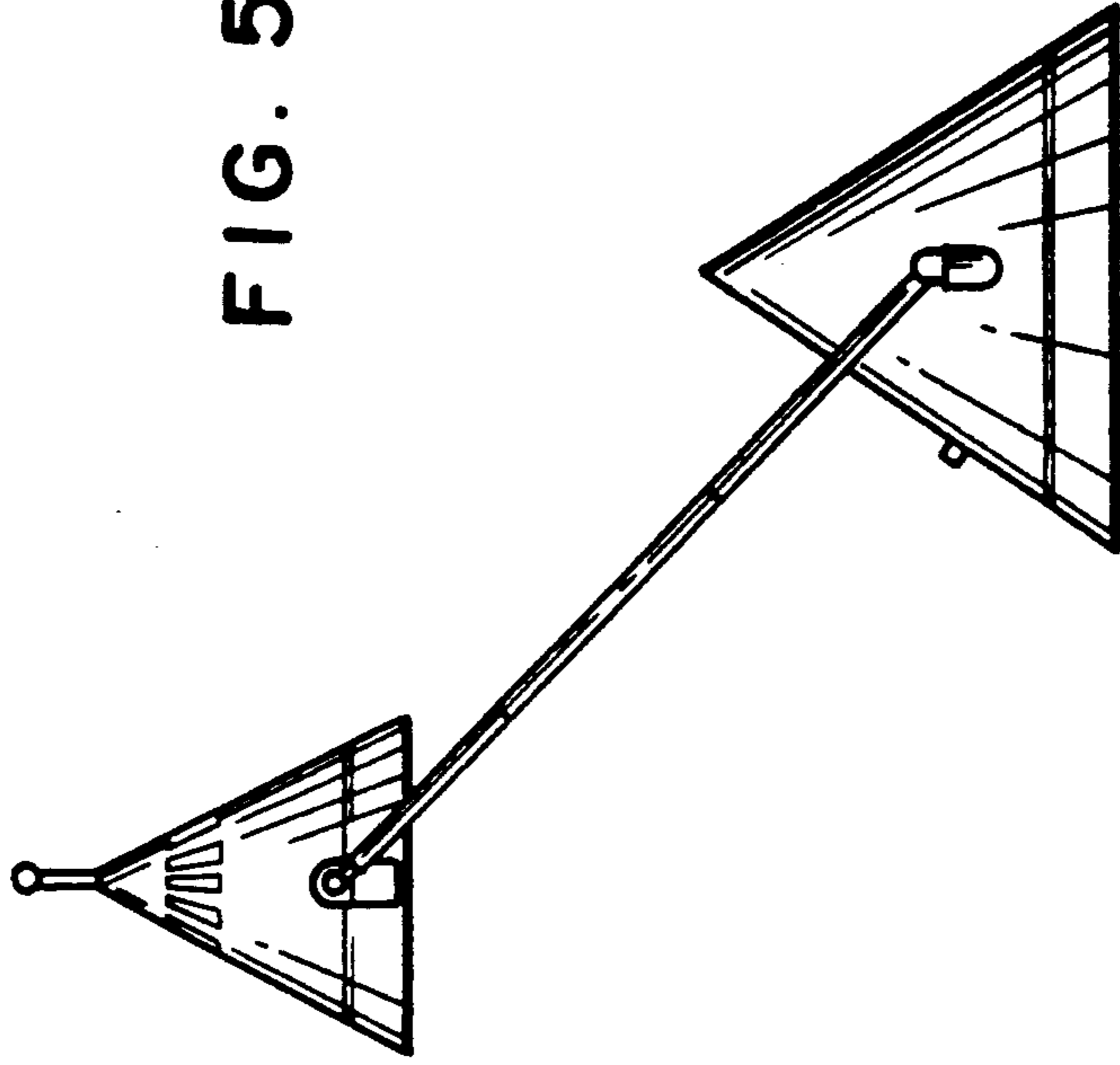


FIG. 4

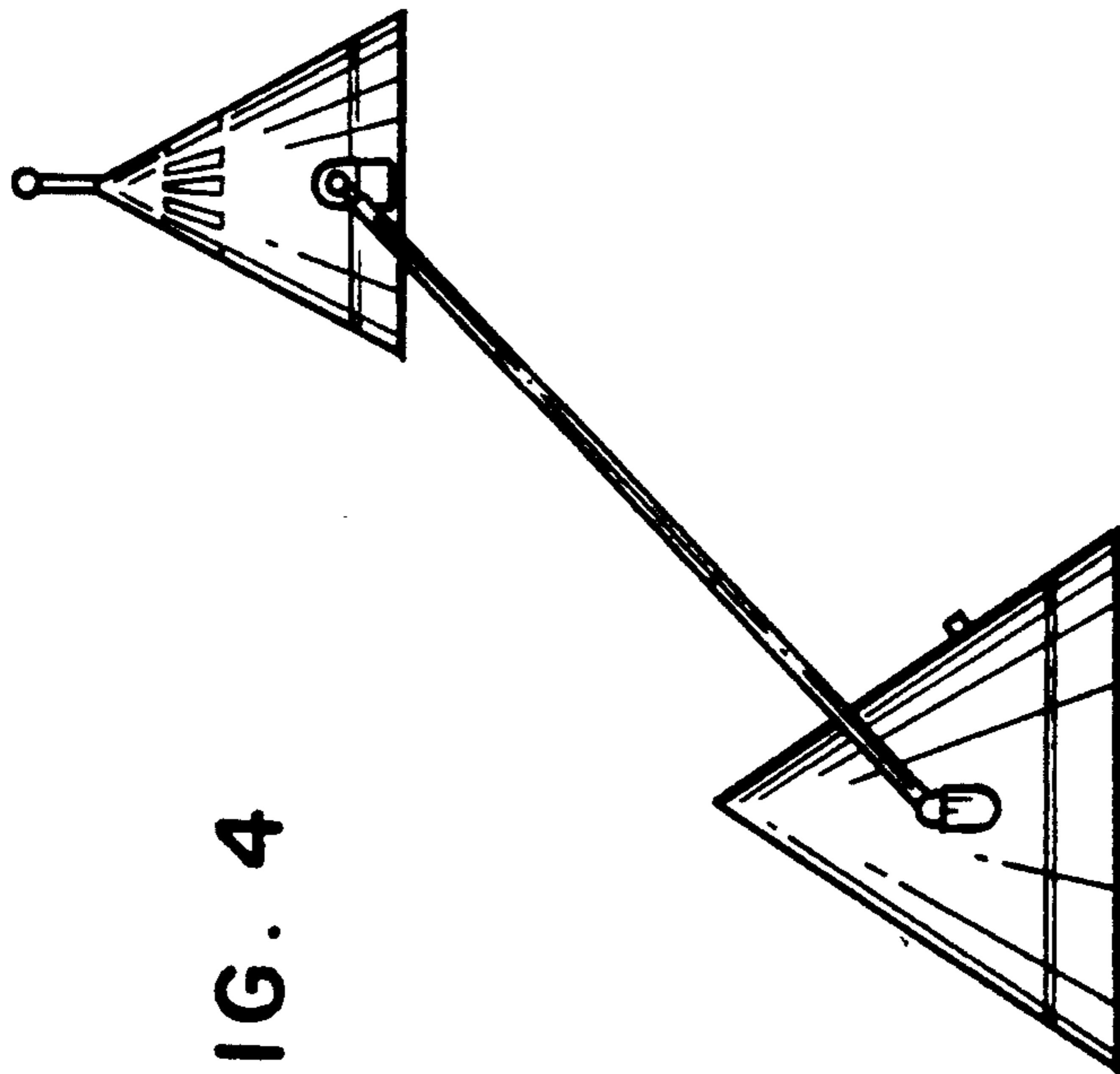


FIG. 6

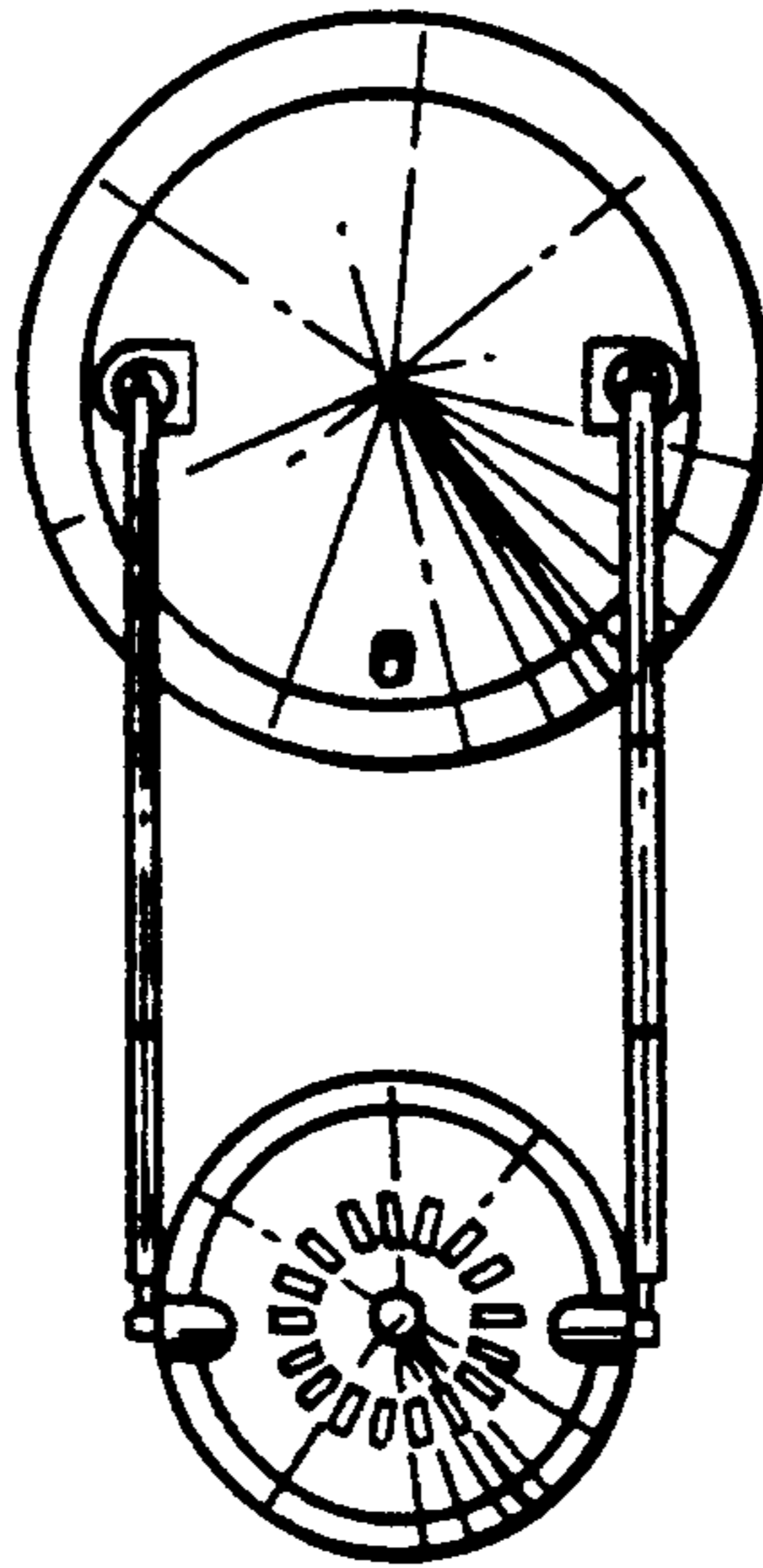


FIG. 7

