



US00D341892S

United States Patent [19]

[11] Patent Number: Des. 341,892

Yagi

[45] Date of Patent: ** Nov. 30, 1993

[54] **BABY BOTTLE**

[75] Inventor: Toshikazu Yagi, Osaka, Japan

[73] Assignee: Jex Co., Ltd., Osaka, Japan

[**] Term: 14 Years

[21] Appl. No.: 655,907

[22] Filed: Feb. 14, 1991

[30] **Foreign Application Priority Data**

Aug. 21, 1990 [JP] Japan 2-28124

Aug. 21, 1990 [JP] Japan 2-28125

[52] U.S. Cl. D24/197; D24/199

[58] Field of Search D24/197, 199; 215/11.1, 215/11.2, 11.3, 11.4, 11.5, 11.6

[56] **References Cited**

U.S. PATENT DOCUMENTS

D. 307,477	4/1990	Gonzalez et al.	D24/197
D. 309,948	8/1990	Chambers	D24/197
D. 315,212	3/1991	Oknuki	D24/197
D. 315,213	3/1991	Ohnuki	D24/197
4,917,252	4/1990	Chambers et al.	215/11.1

Primary Examiner—Stella Reid

Attorney, Agent, or Firm—Nikaido Marmelstein Murray & Oram

[57] **CLAIM**

The ornamental design for a baby bottle, as shown and described.

DESCRIPTION

FIG. 1 is a perspective view of a baby bottle showing my new design with the cover attached;
 FIG. 2 is a front view thereof;
 FIG. 3 is a right side view thereof;
 FIG. 4 is a left side view thereof;
 FIG. 5 is a rear view thereof;
 FIG. 6 is a top plan view thereof;

FIG. 7 is a bottom plan view thereof;
 FIG. 8 is an exploded perspective view thereof, with the cover removed;
 FIG. 9 is a sectional view along line 9—9 in FIG. 6;
 FIG. 10 is a perspective view of a second embodiment of the baby bottle, showing my new design with the cover attached;
 FIG. 11 is a front view of FIG. 10;
 FIG. 12 is a right side view of FIG. 10;
 FIG. 13 is a left side view of FIG. 10;
 FIG. 14 is a rear view of FIG. 10;
 FIG. 15 is a top plan view of FIG. 10;
 FIG. 16 is a bottom plan view of FIG. 10;
 FIG. 17 is an exploded perspective view of FIG. 10 with the cover removed;
 FIG. 18 is a sectional view along line 18—18 in FIG. 15;
 FIG. 19 is a perspective view of a third embodiment of the baby bottle showing my new design with the cover attached;
 FIG. 20 is a front view of FIG. 19;
 FIG. 21 is a right side view of FIG. 19;
 FIG. 22 is a left side view of FIG. 19;
 FIG. 23 is a rear view of FIG. 19;
 FIG. 24 is a top plan view of FIG. 19;
 FIG. 25 is a bottom plan view of FIG. 19;
 FIG. 26 is an exploded perspective view of FIG. 19 with the cover removed;
 FIG. 27 is a sectional view along line 27—27 in FIG. 24;
 FIG. 28 is a perspective view of a fourth embodiment of the baby bottle showing my new design with the cover attached;
 FIG. 29 is a front view of FIG. 28;
 FIG. 30 is a right side view of FIG. 28;
 FIG. 31 is a left side view of FIG. 28;
 FIG. 32 is a rear view of FIG. 28;
 FIG. 33 is a top plan view of FIG. 28;
 FIG. 34 is a bottom plan view of FIG. 28;
 FIG. 35 is an exploded view of FIG. 28 with the cover removed; and,
 FIG. 36 is a sectional view along line 36—36 in FIG. 33.

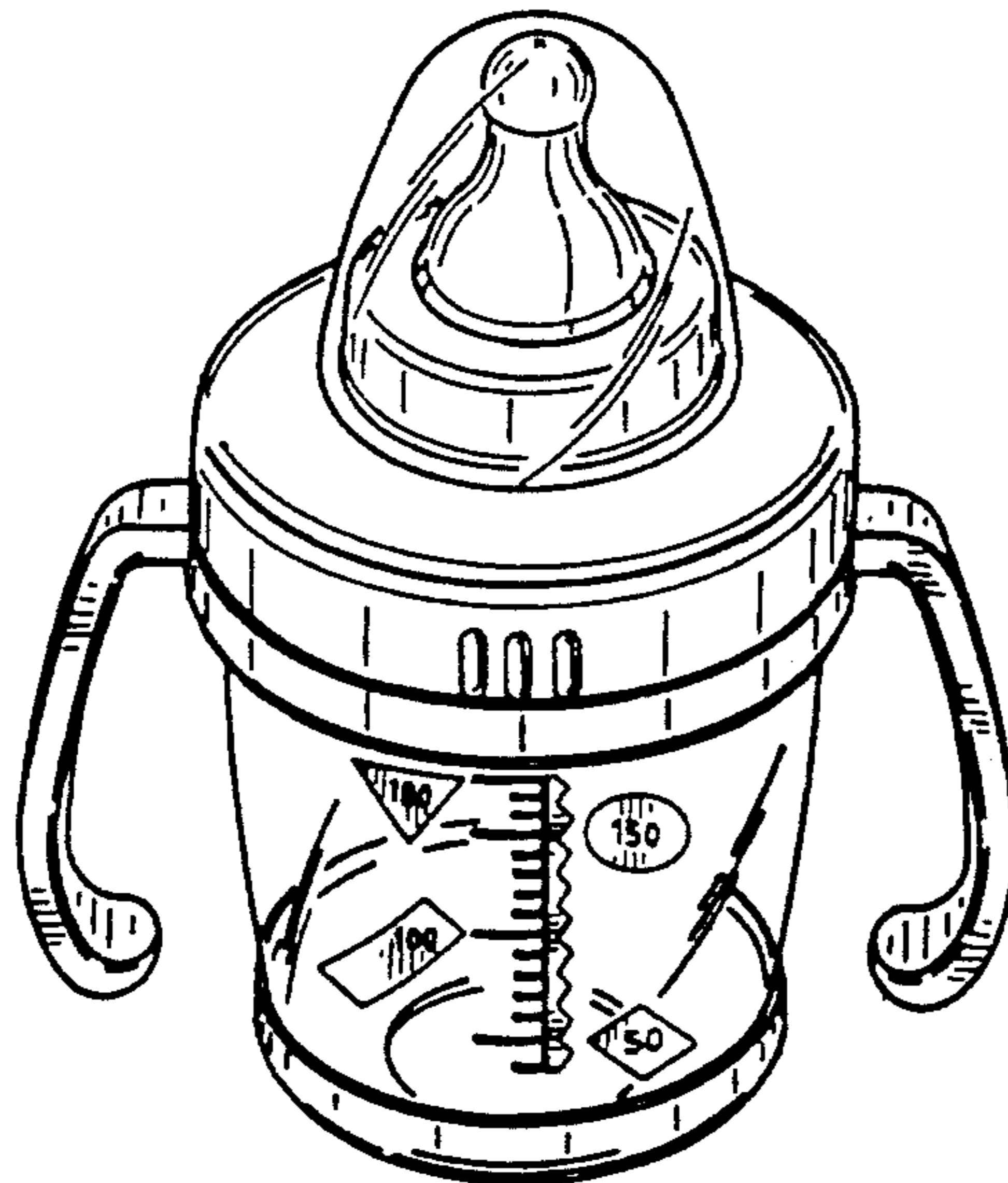


Fig. 1

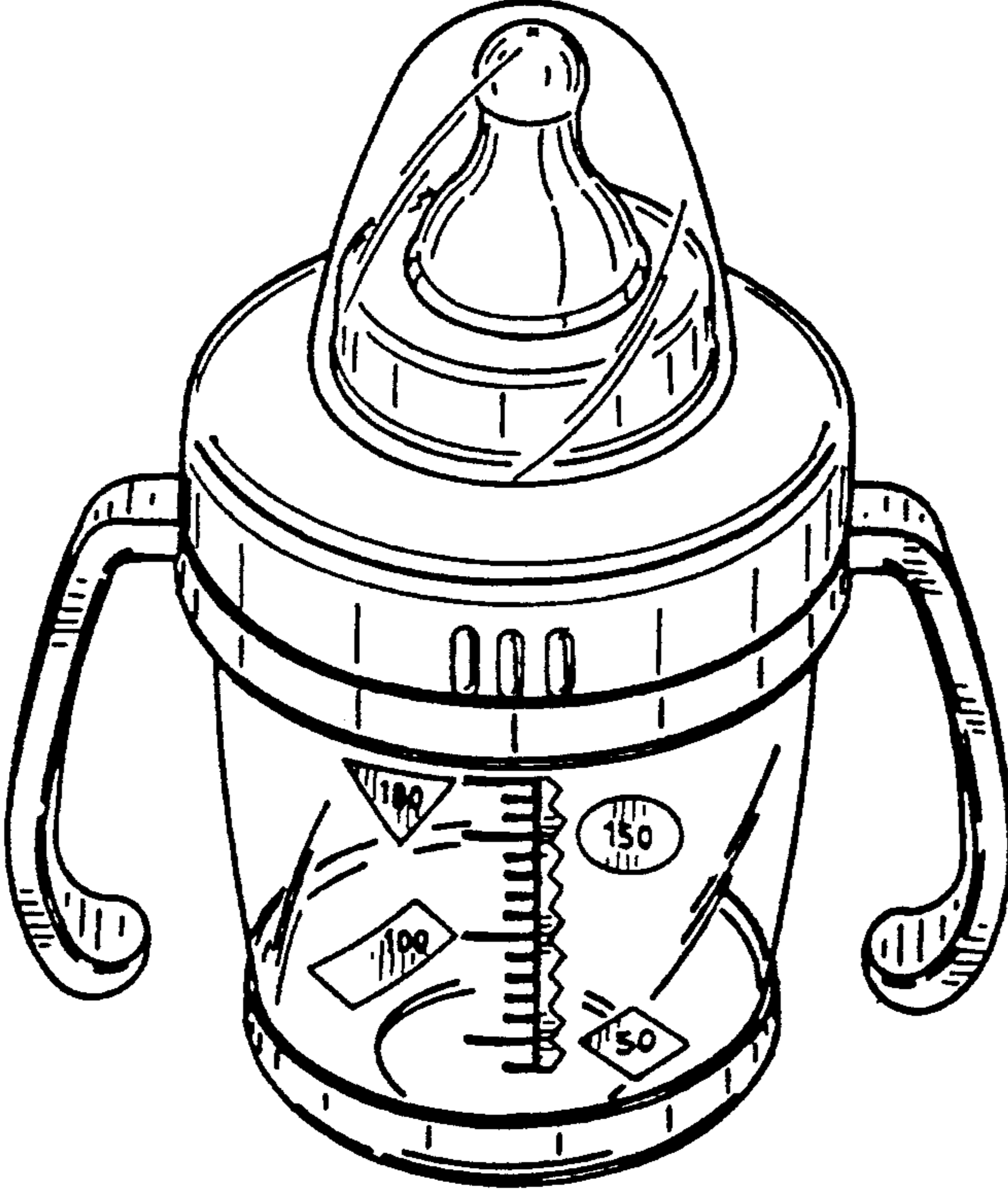


Fig. 2

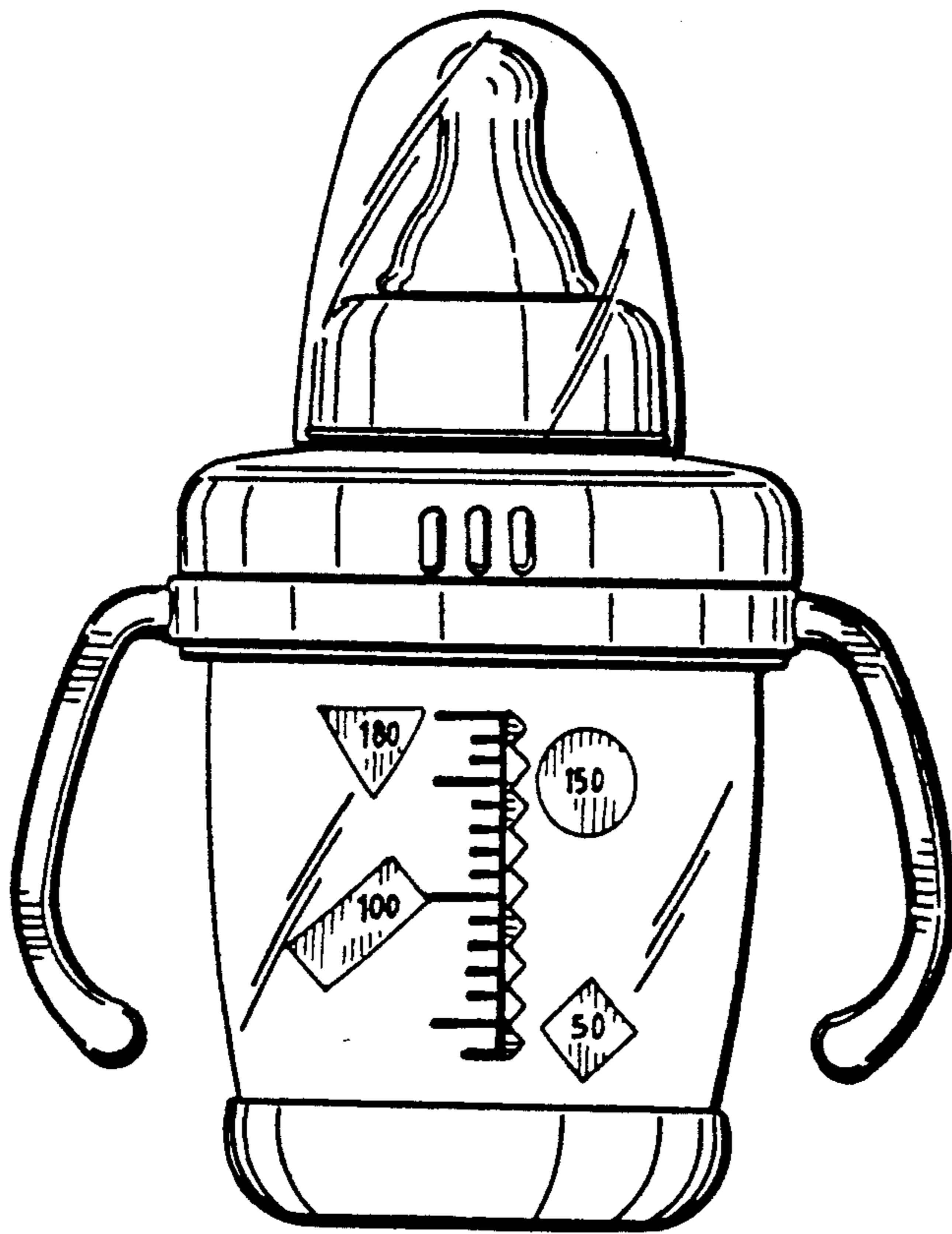


Fig. 3

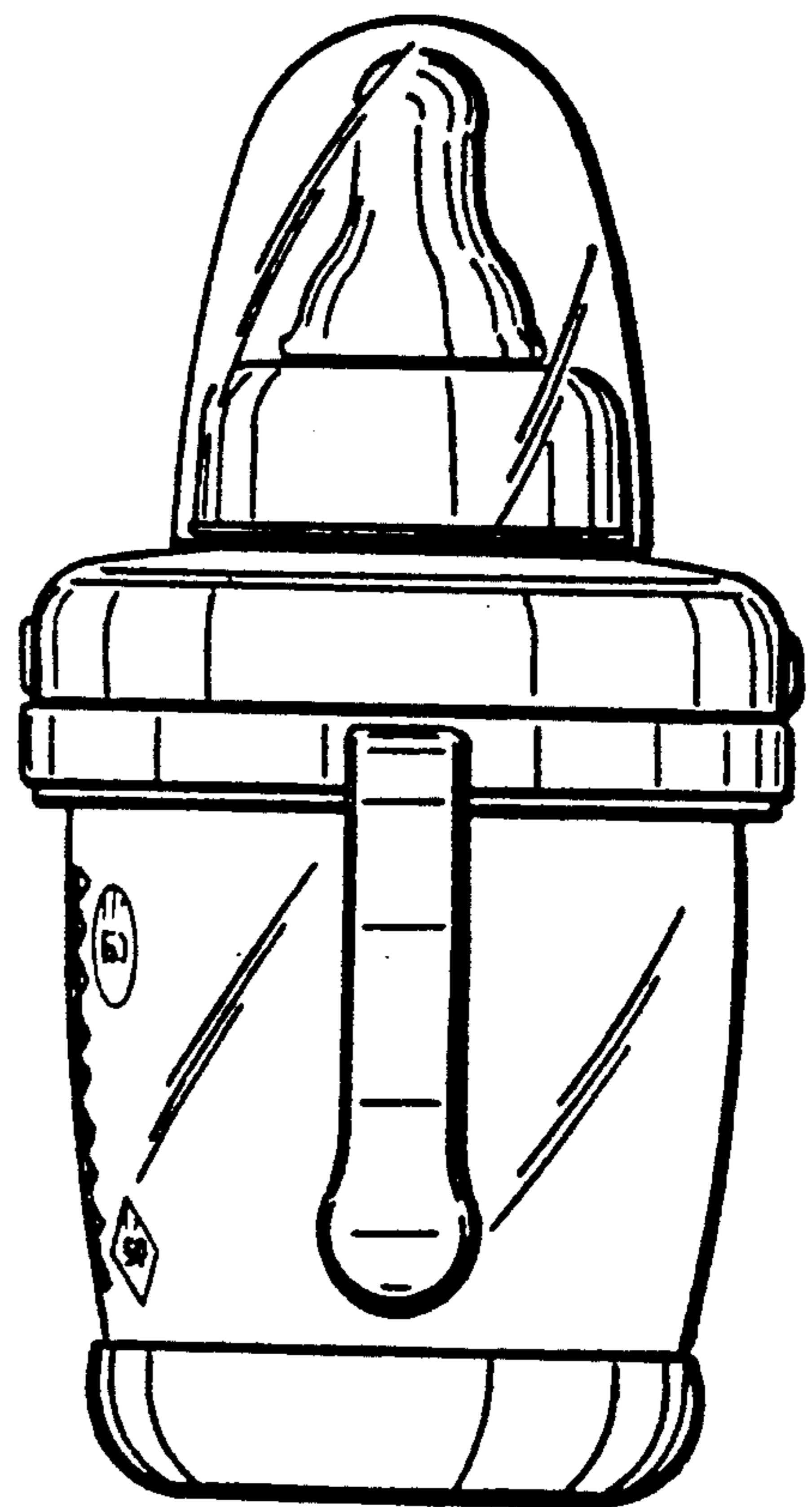


Fig. 4

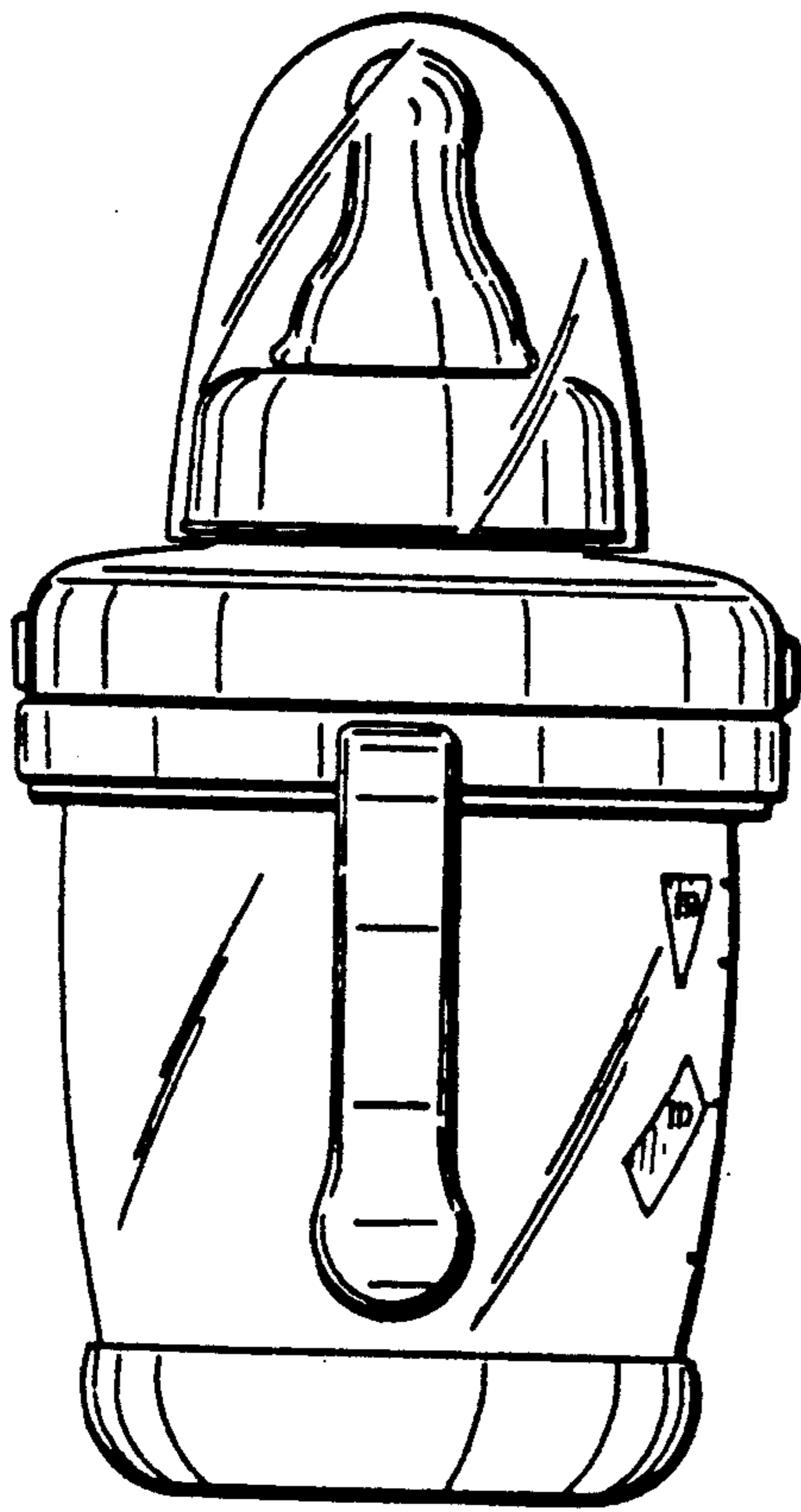


Fig. 5

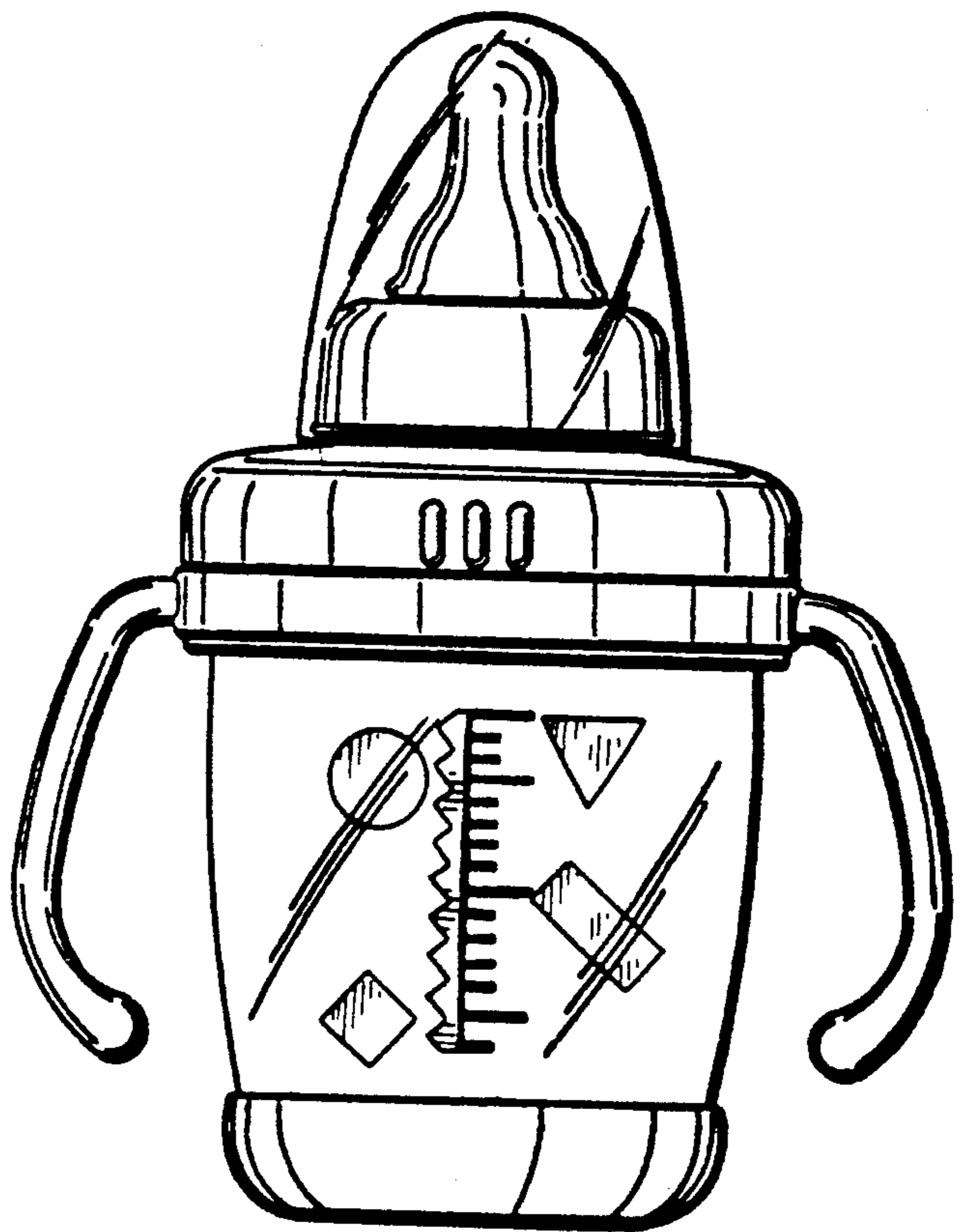


Fig. 6

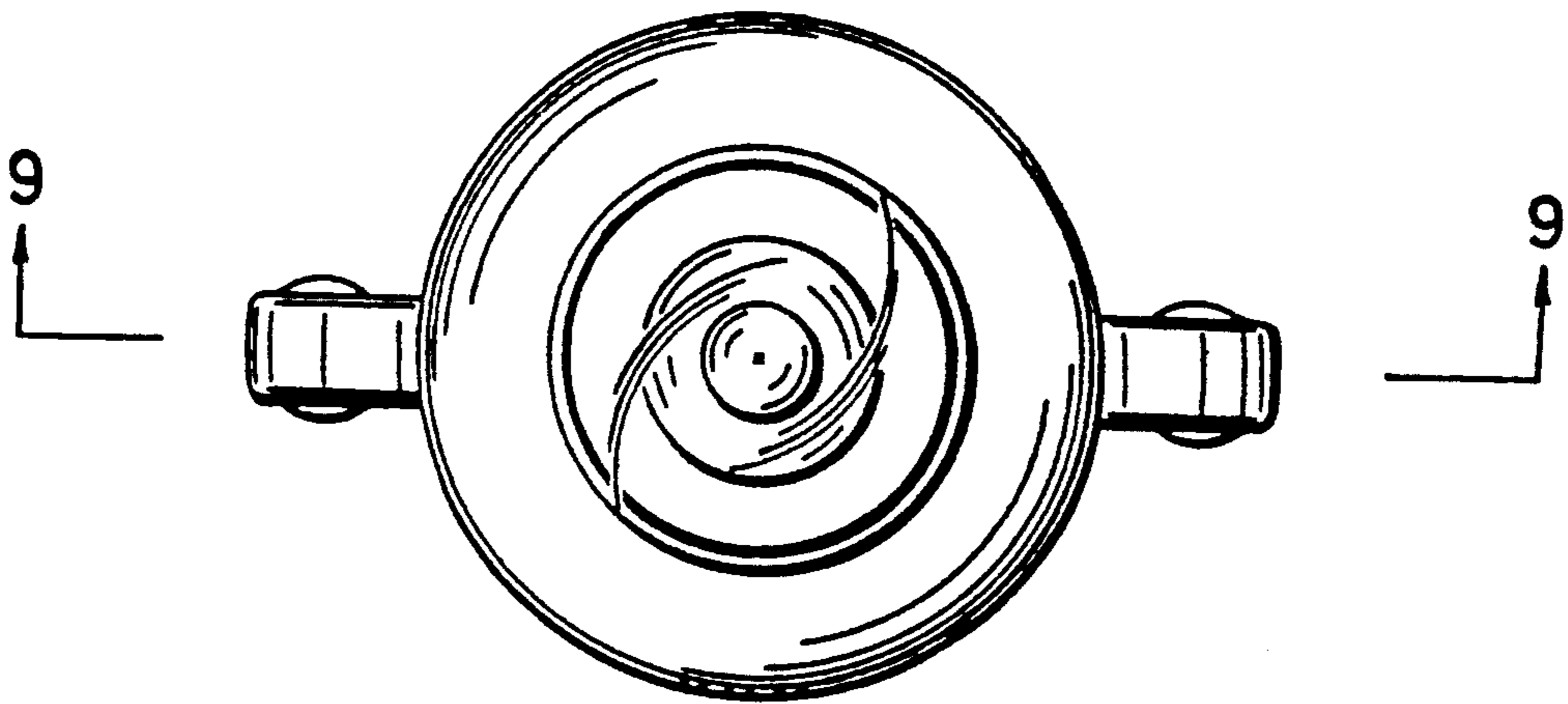


Fig. 7

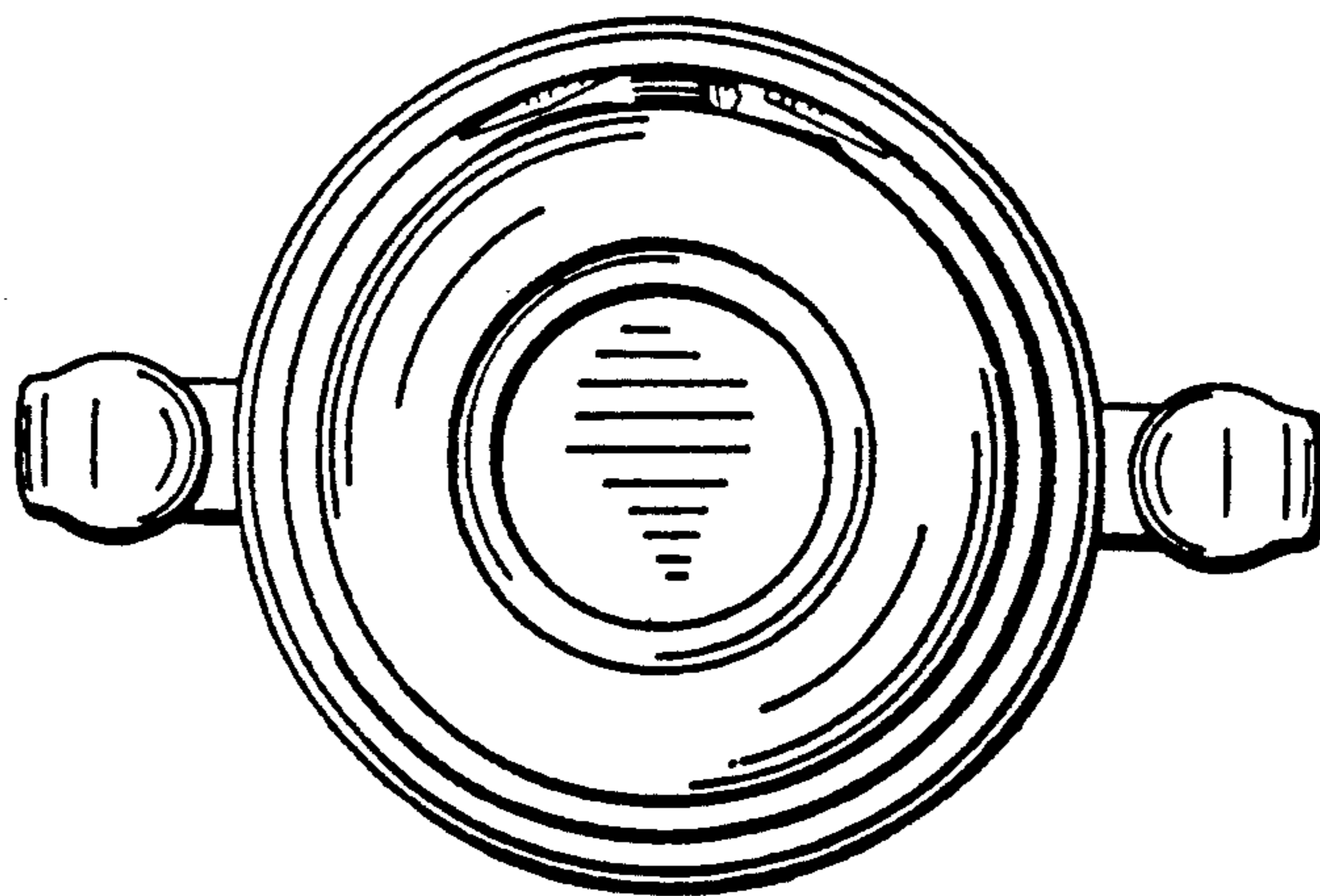


Fig. 8

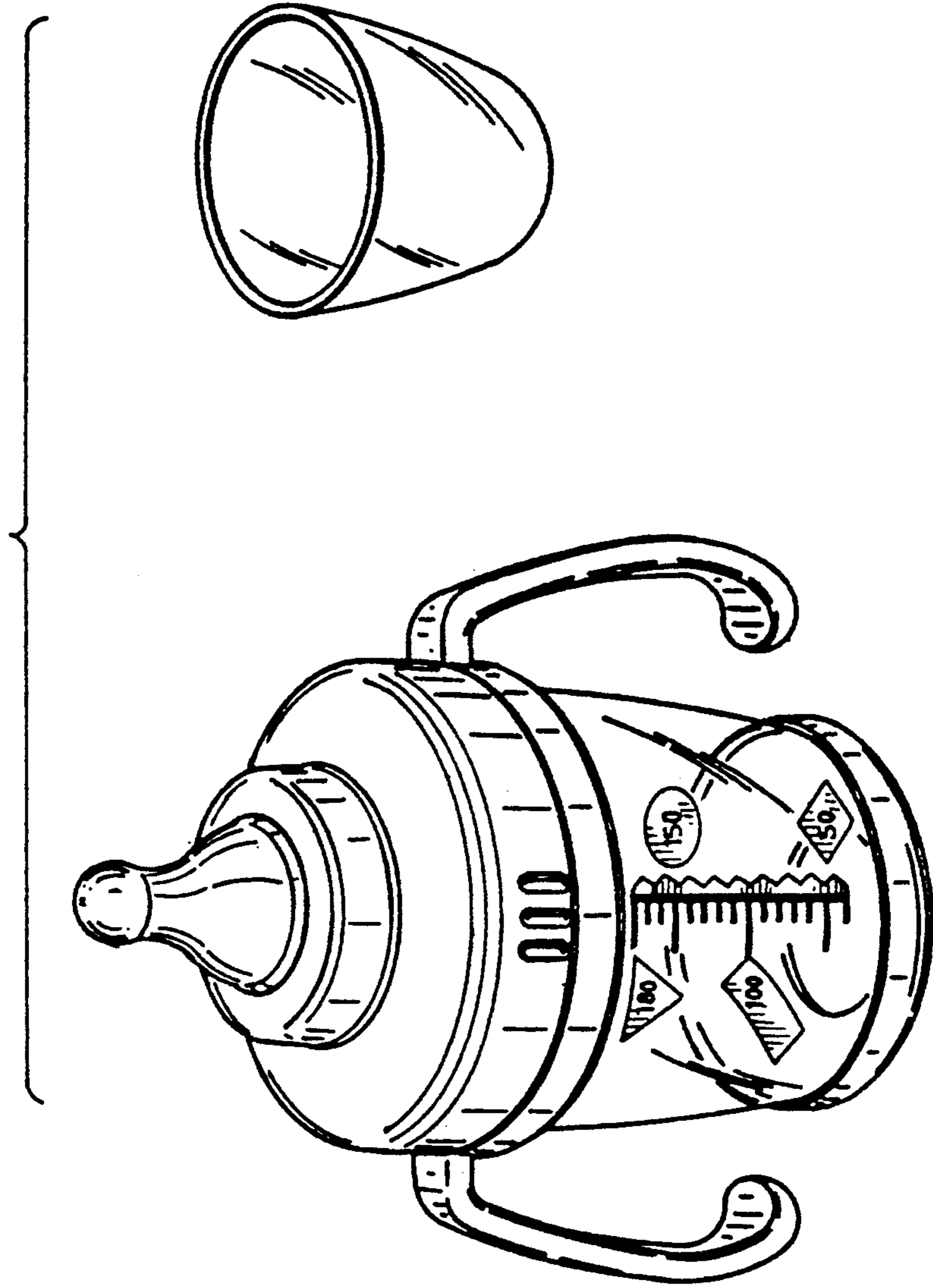


Fig. 9

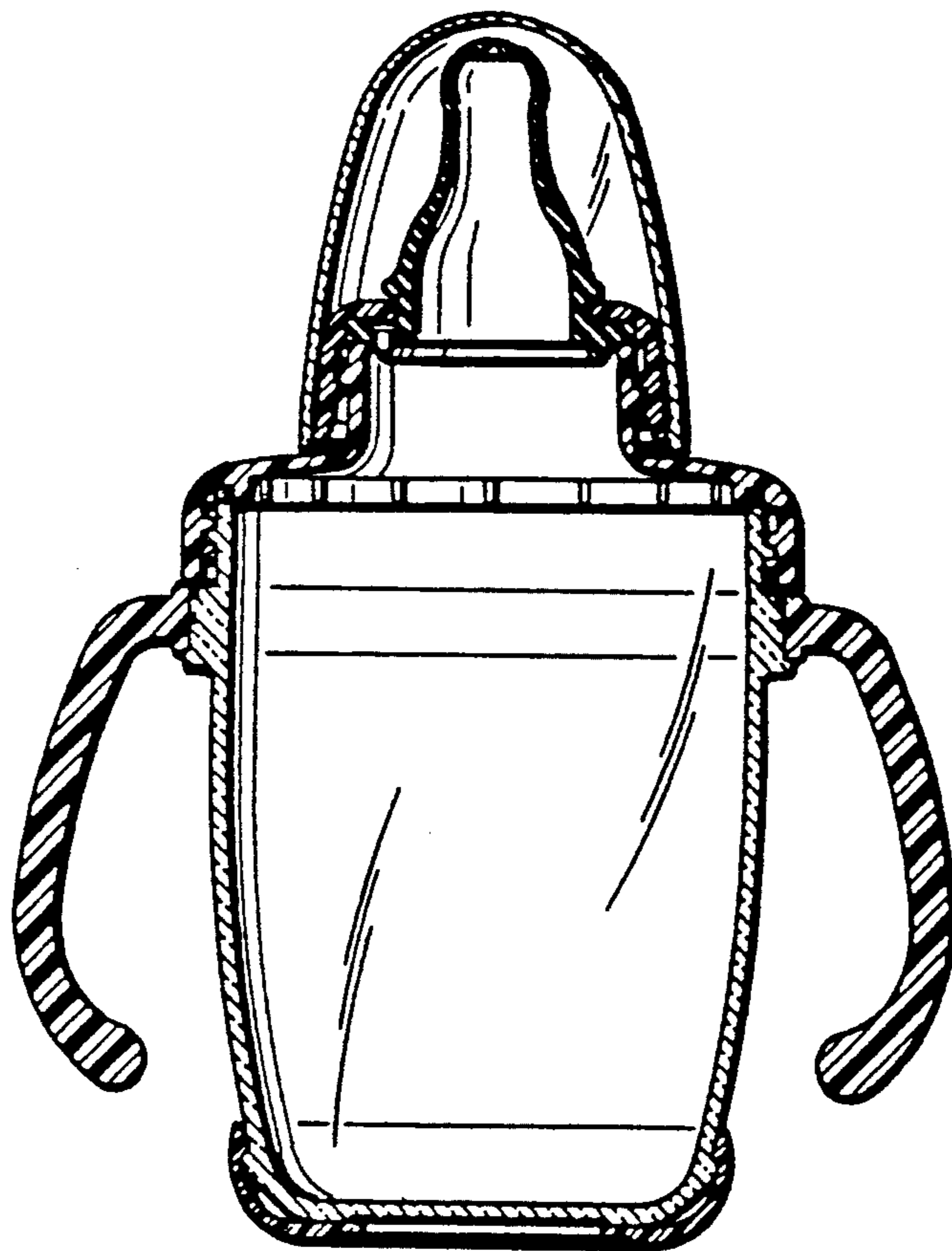


Fig. 10

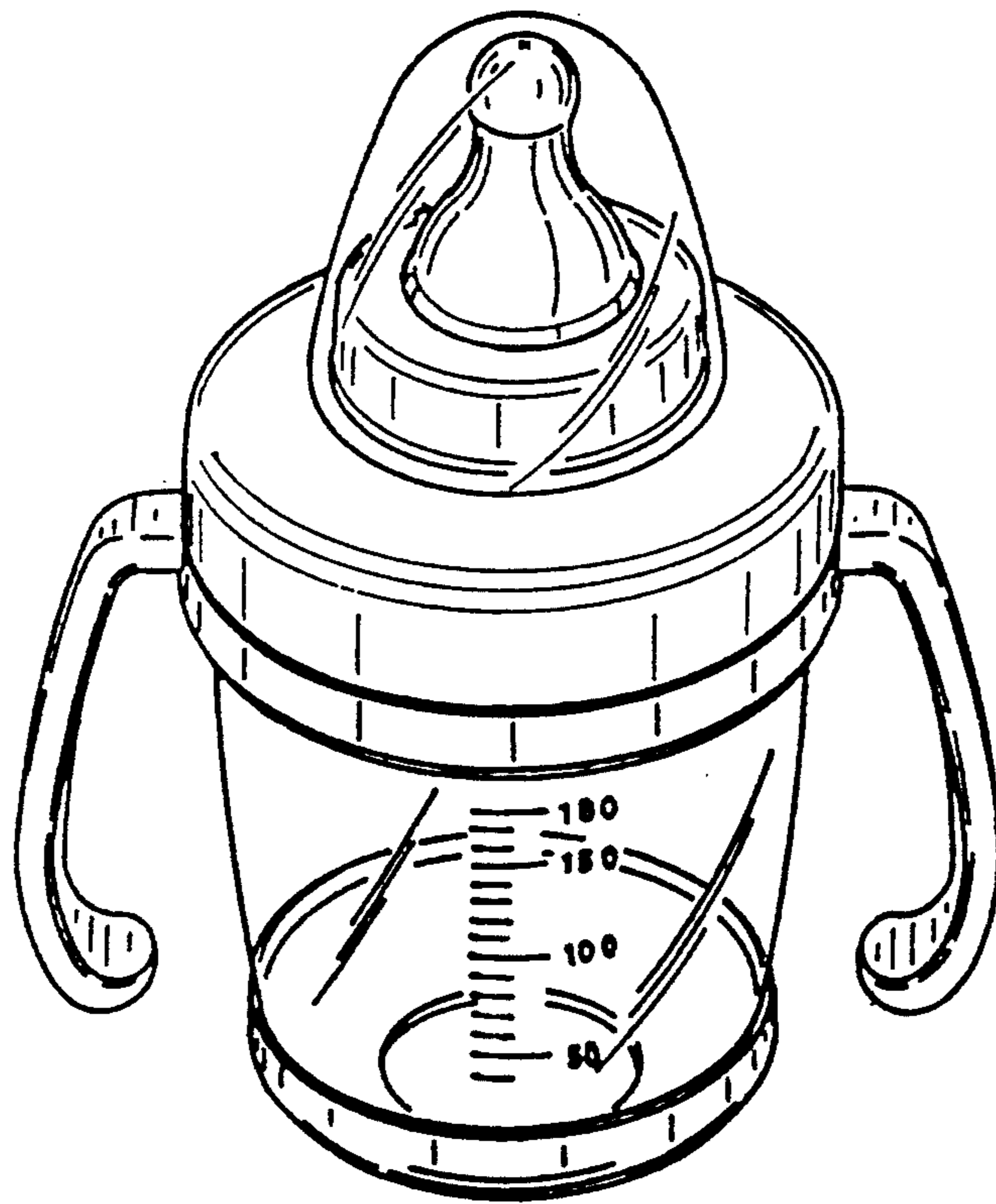


Fig. 11

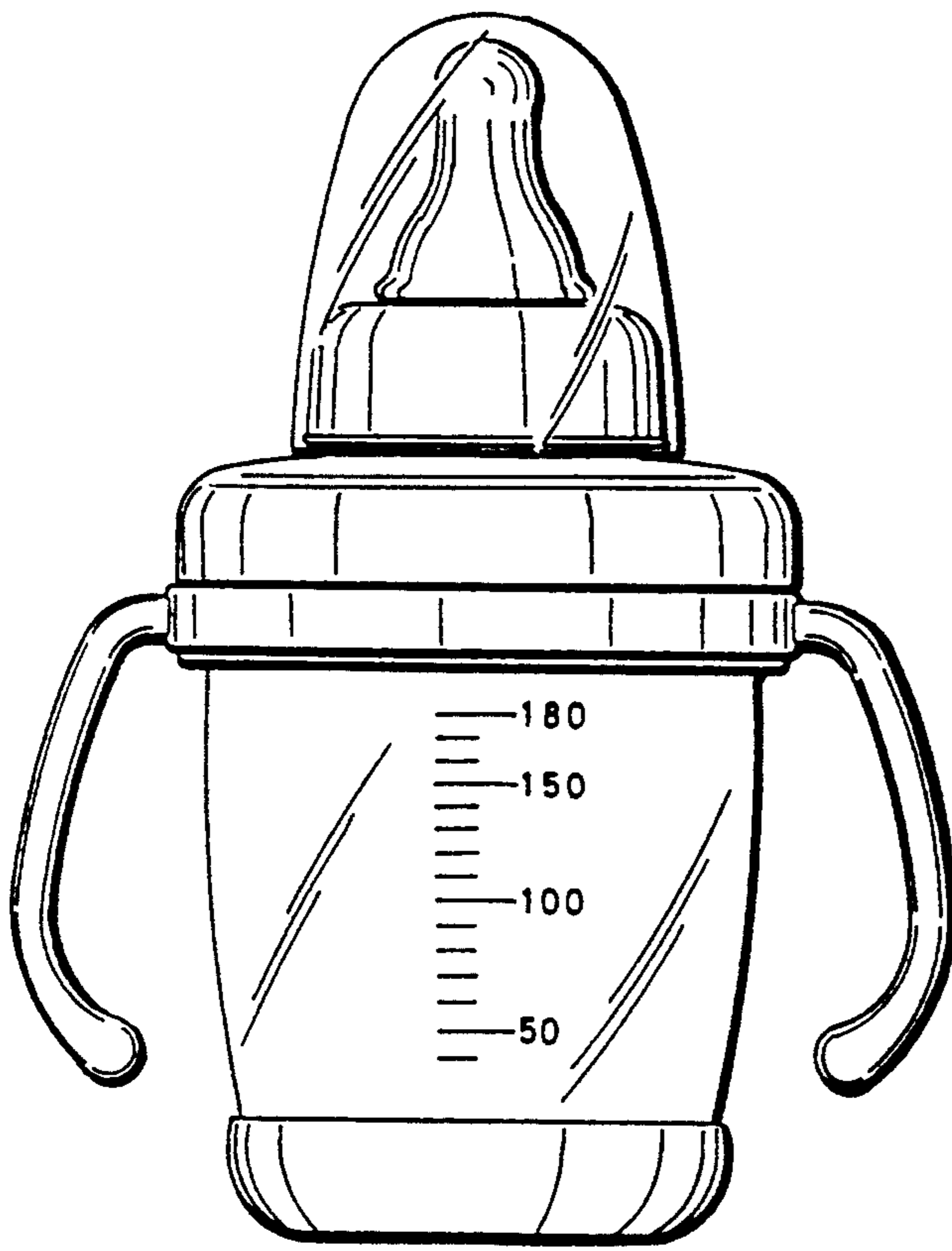


Fig. 12

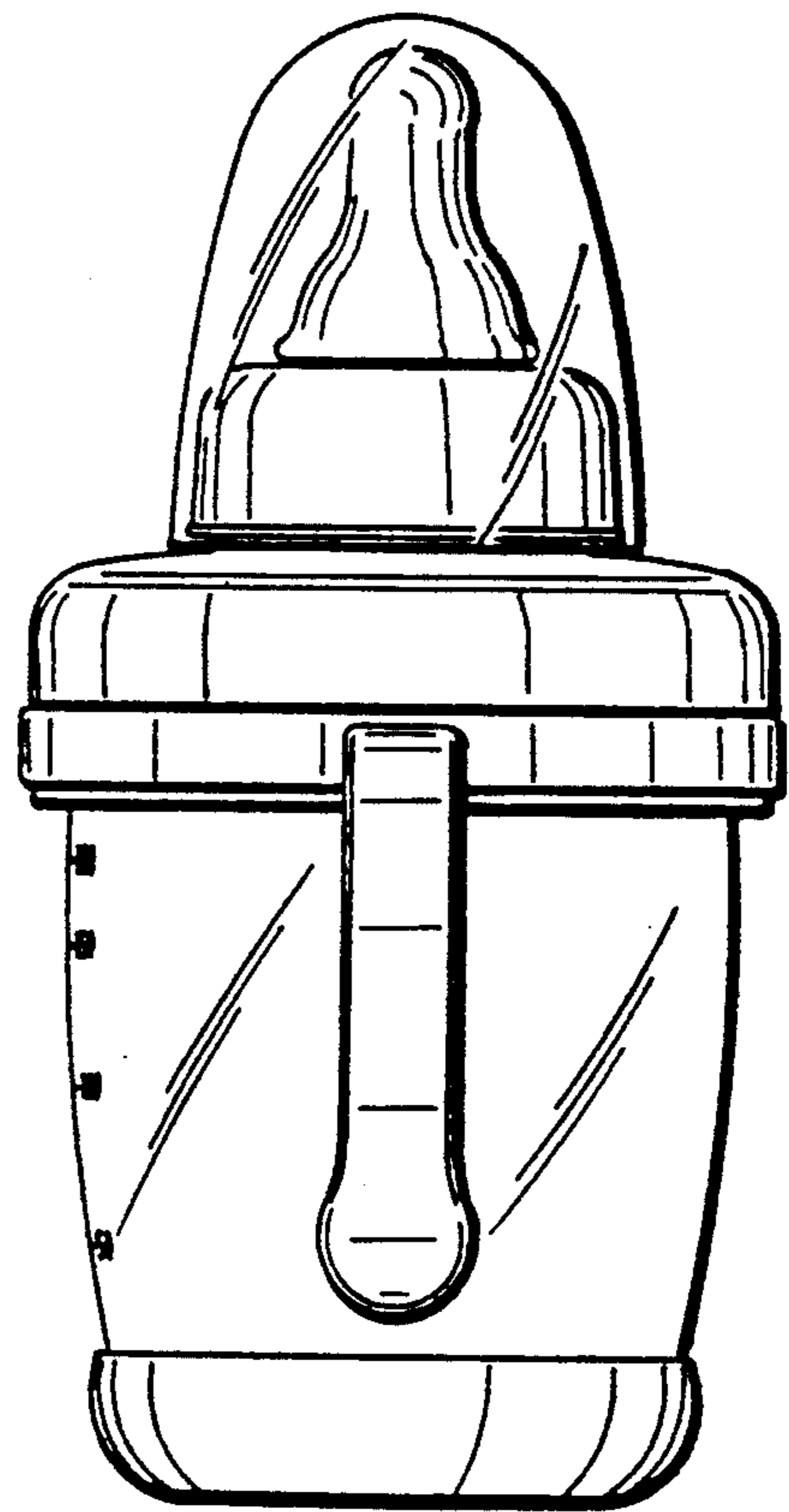


Fig. 13

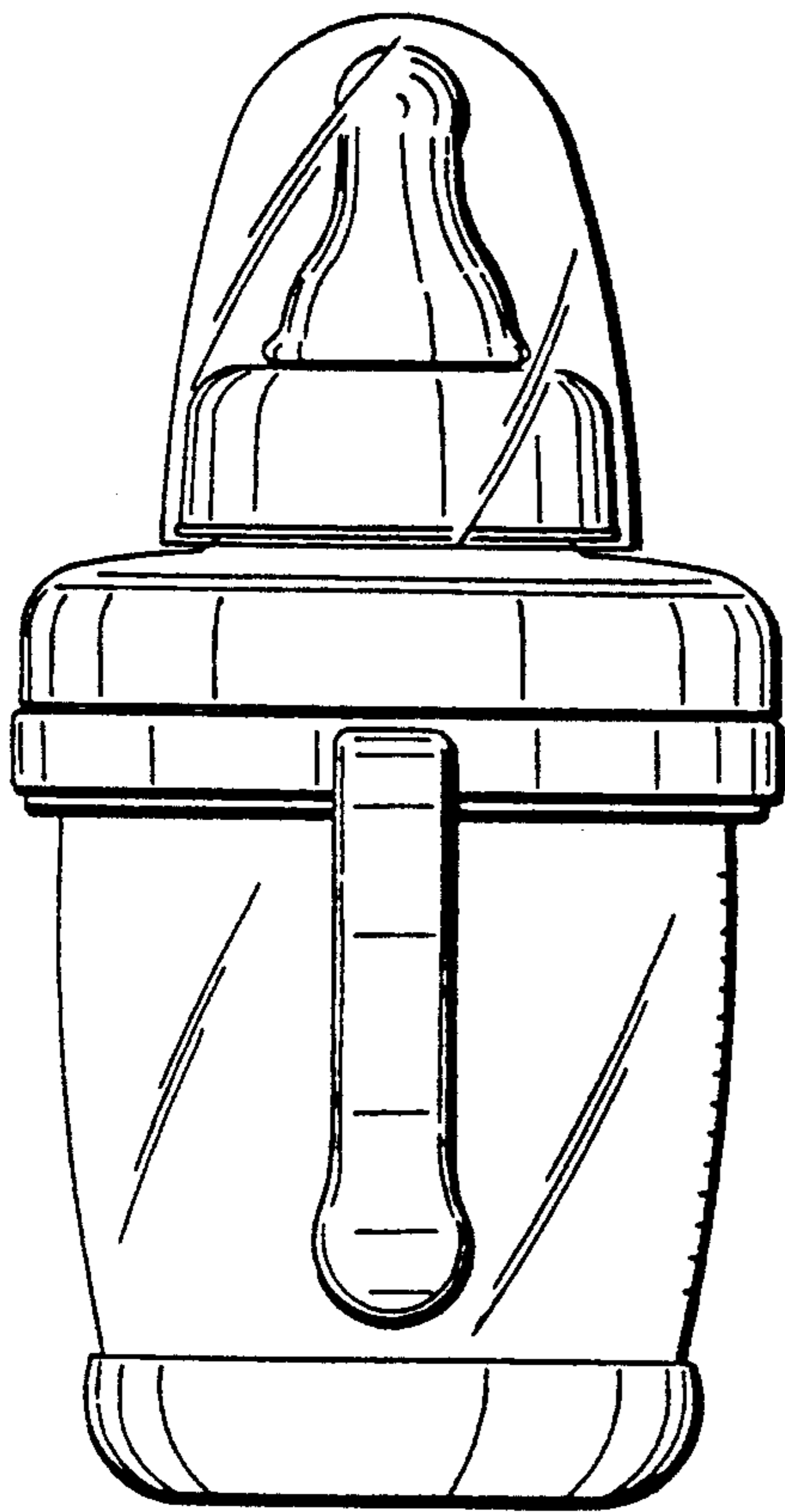


Fig. 14

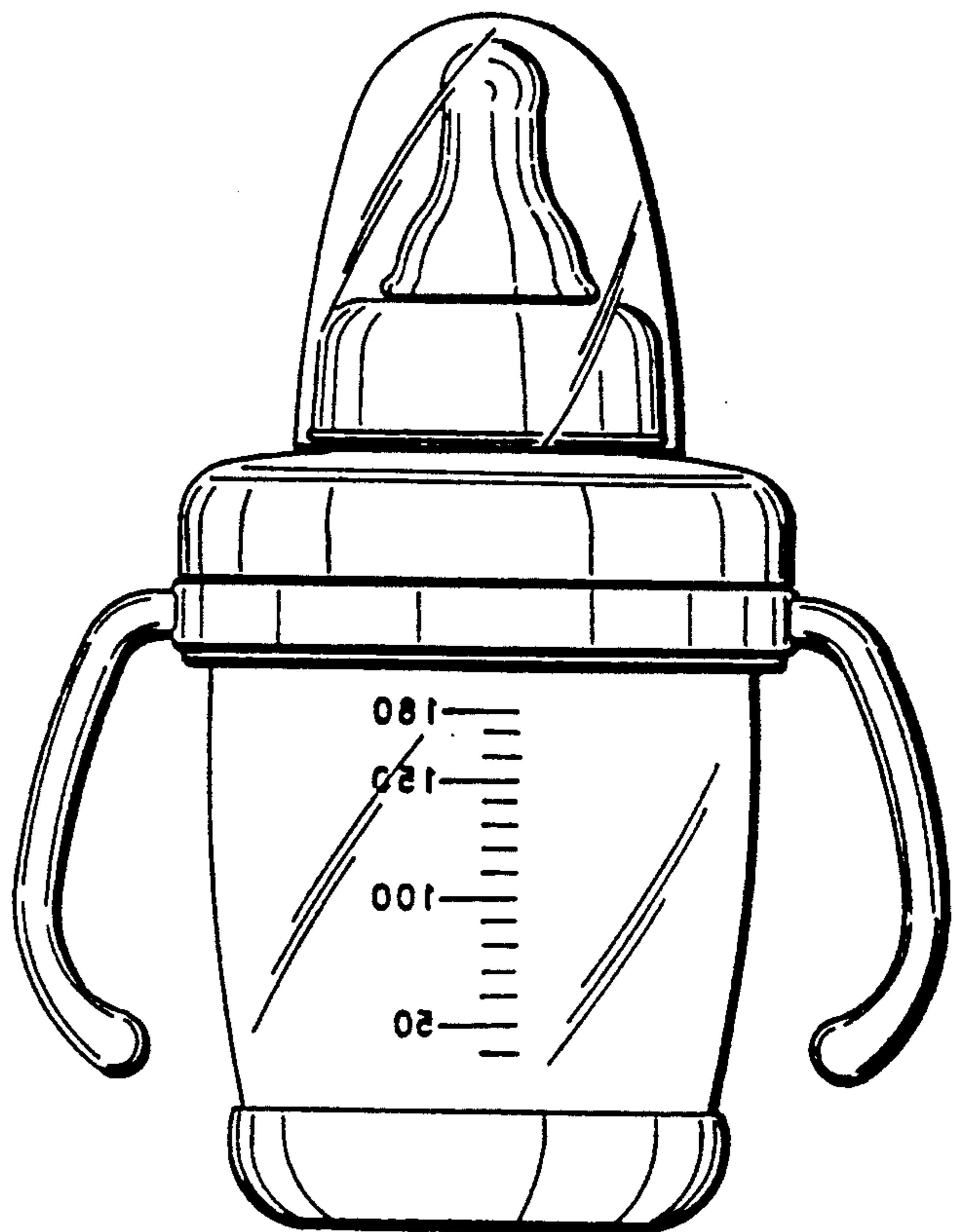


Fig. 15

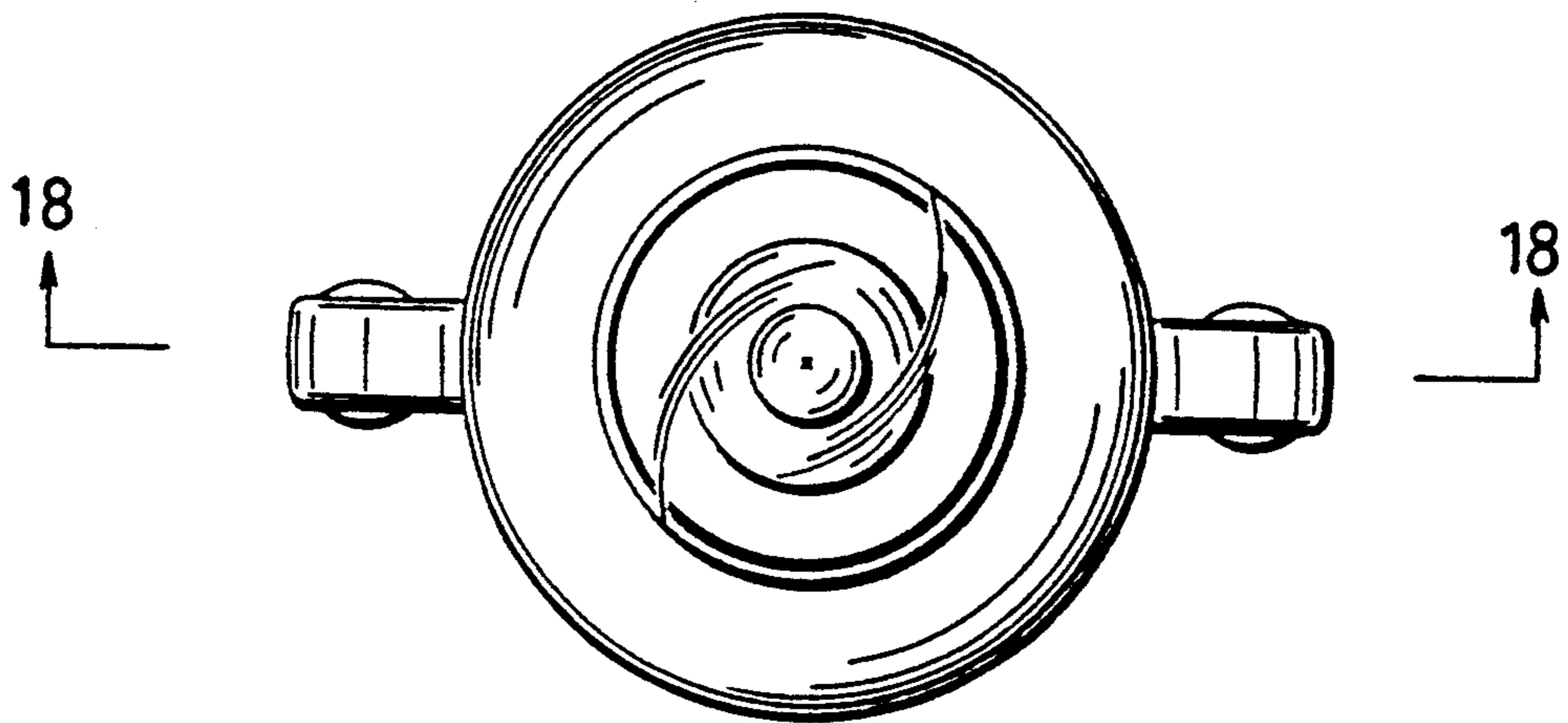


Fig. 16

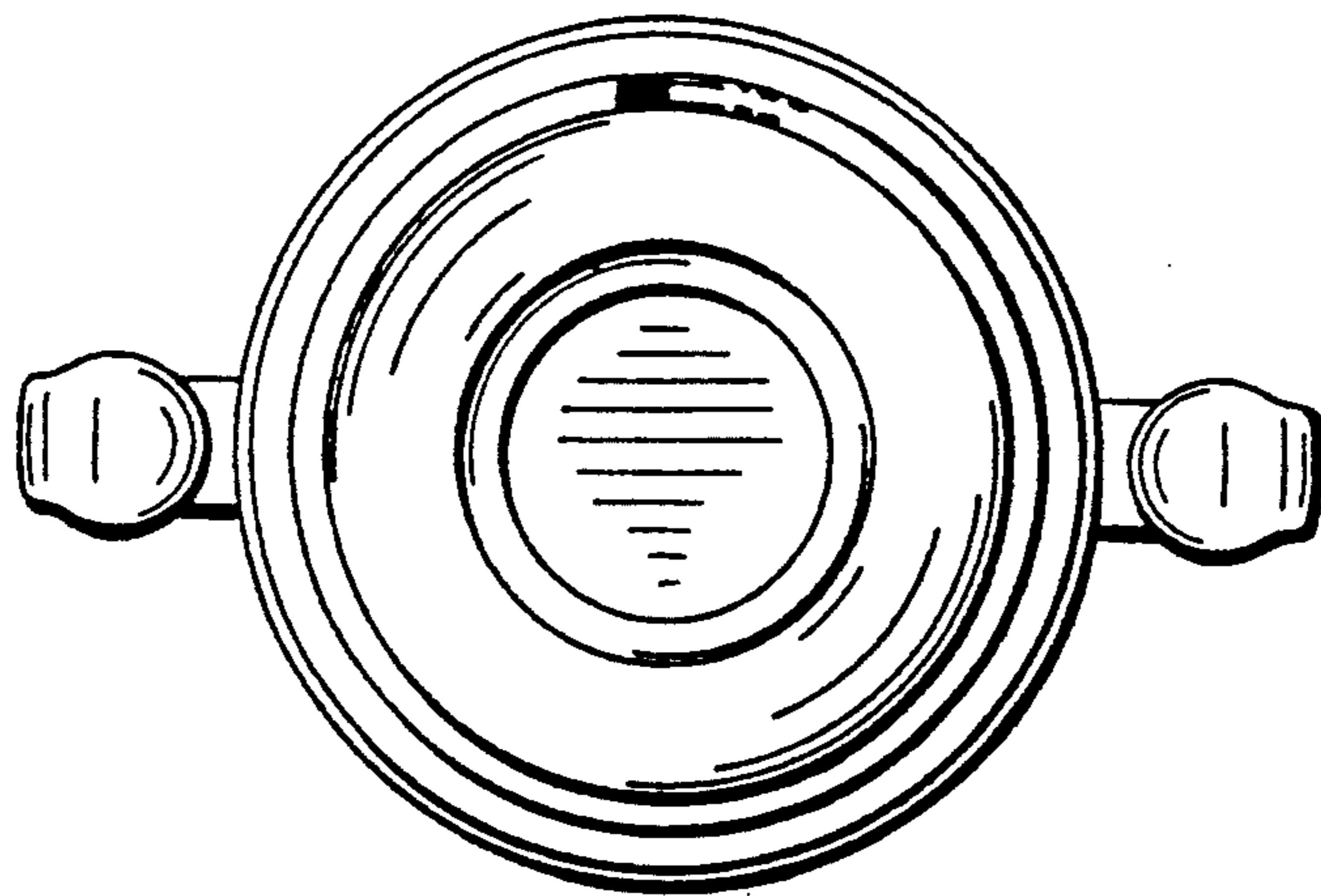


Fig. 17

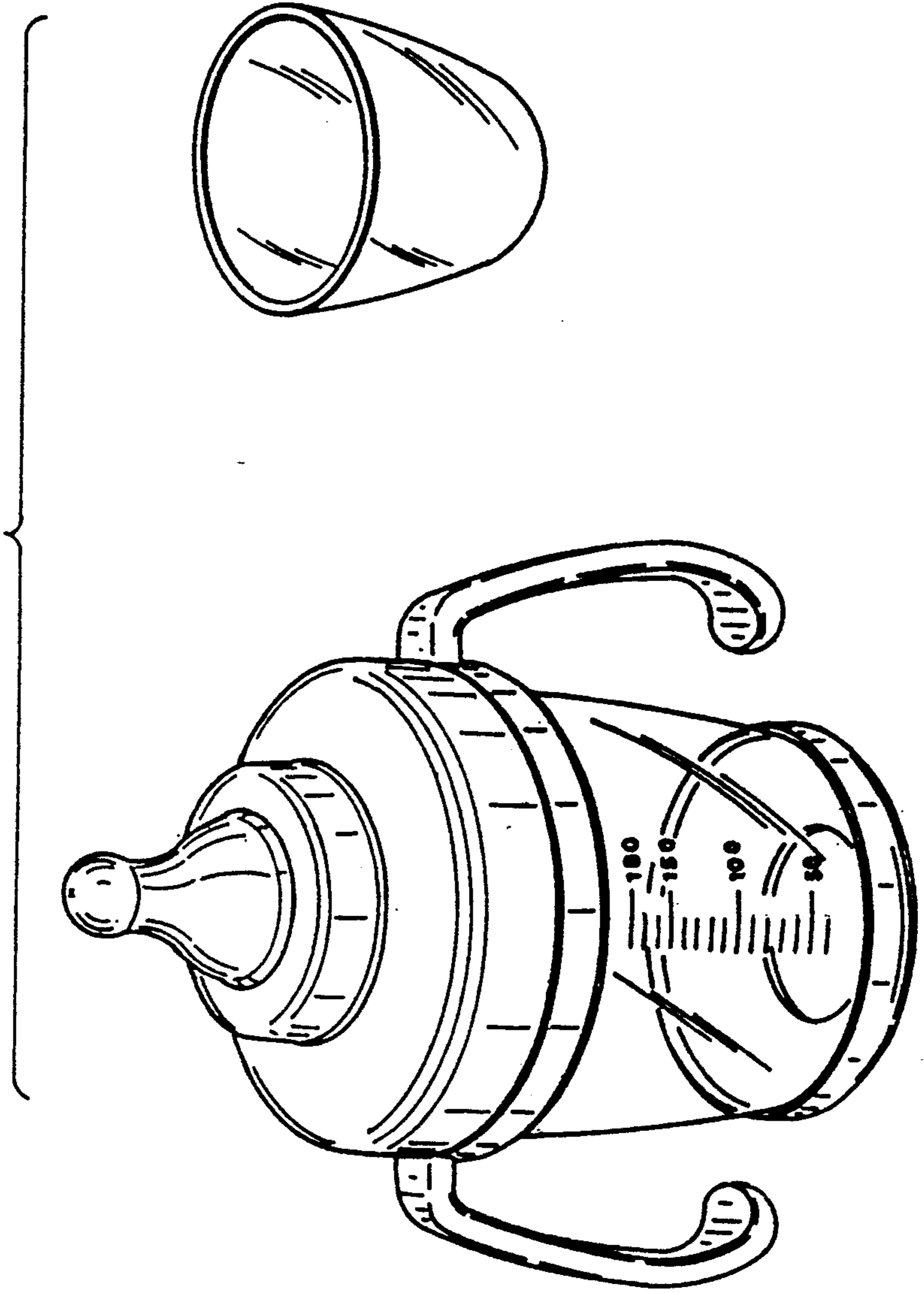


Fig. 18

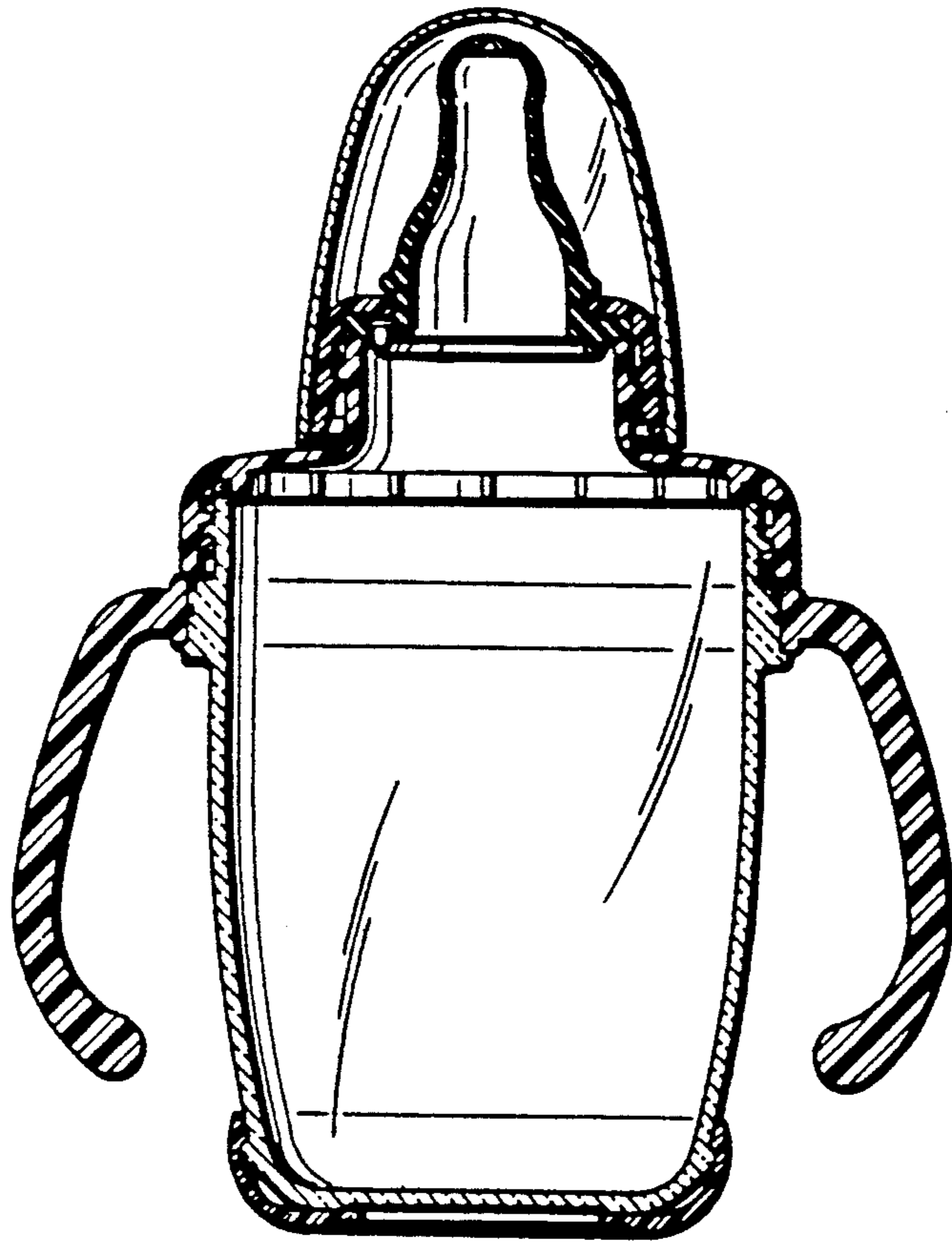


Fig. 19

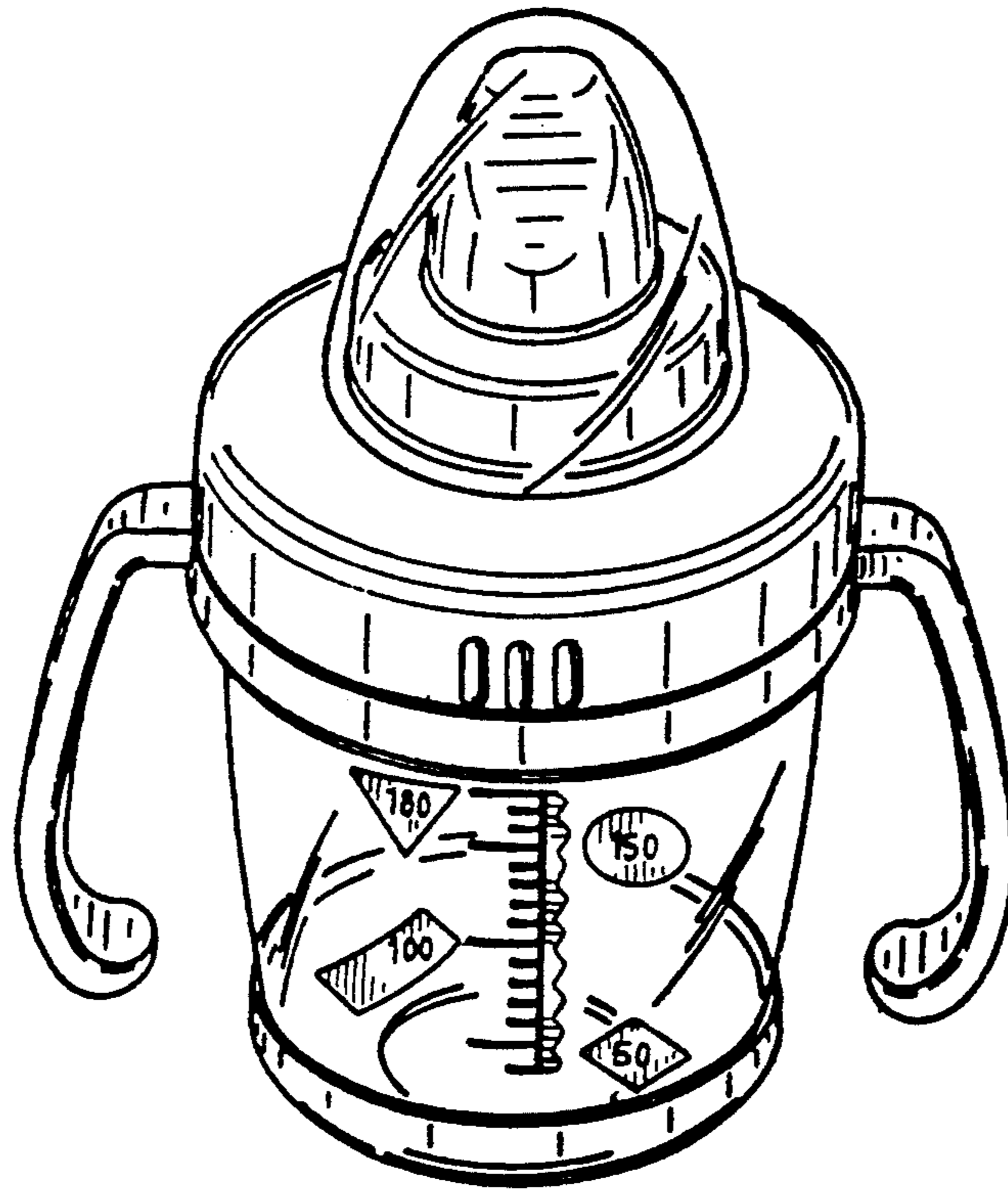


Fig. 20

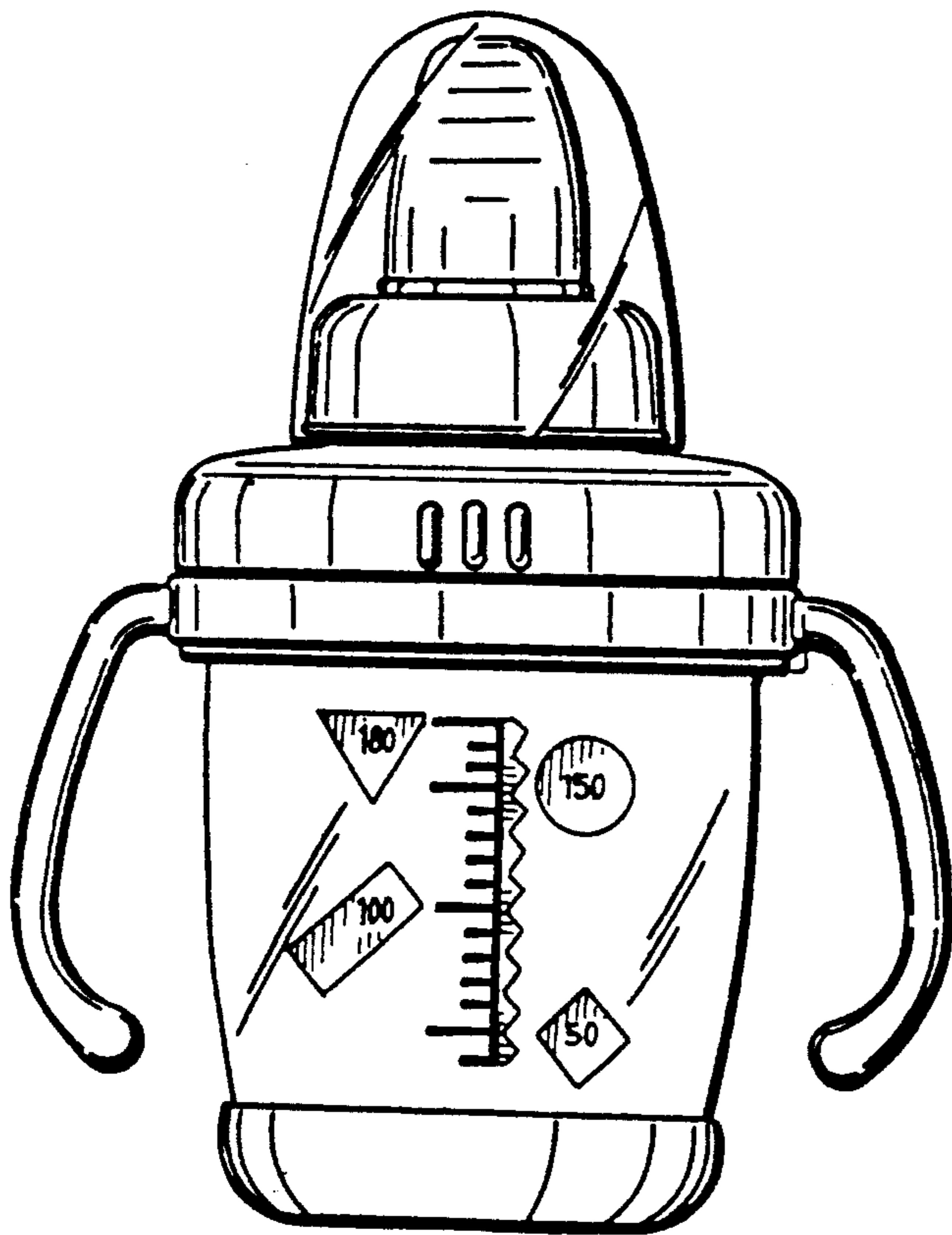


Fig. 21

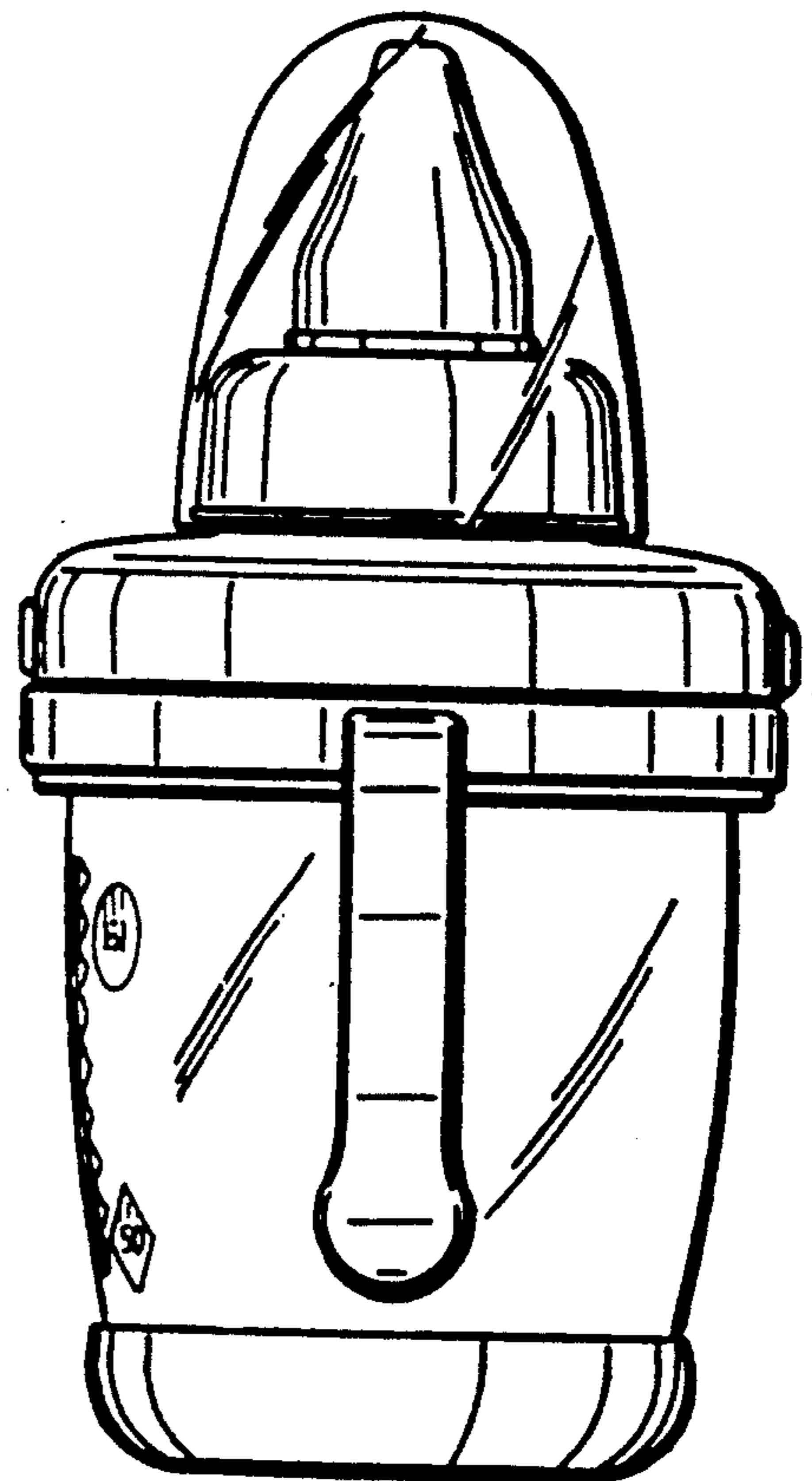


Fig. 22

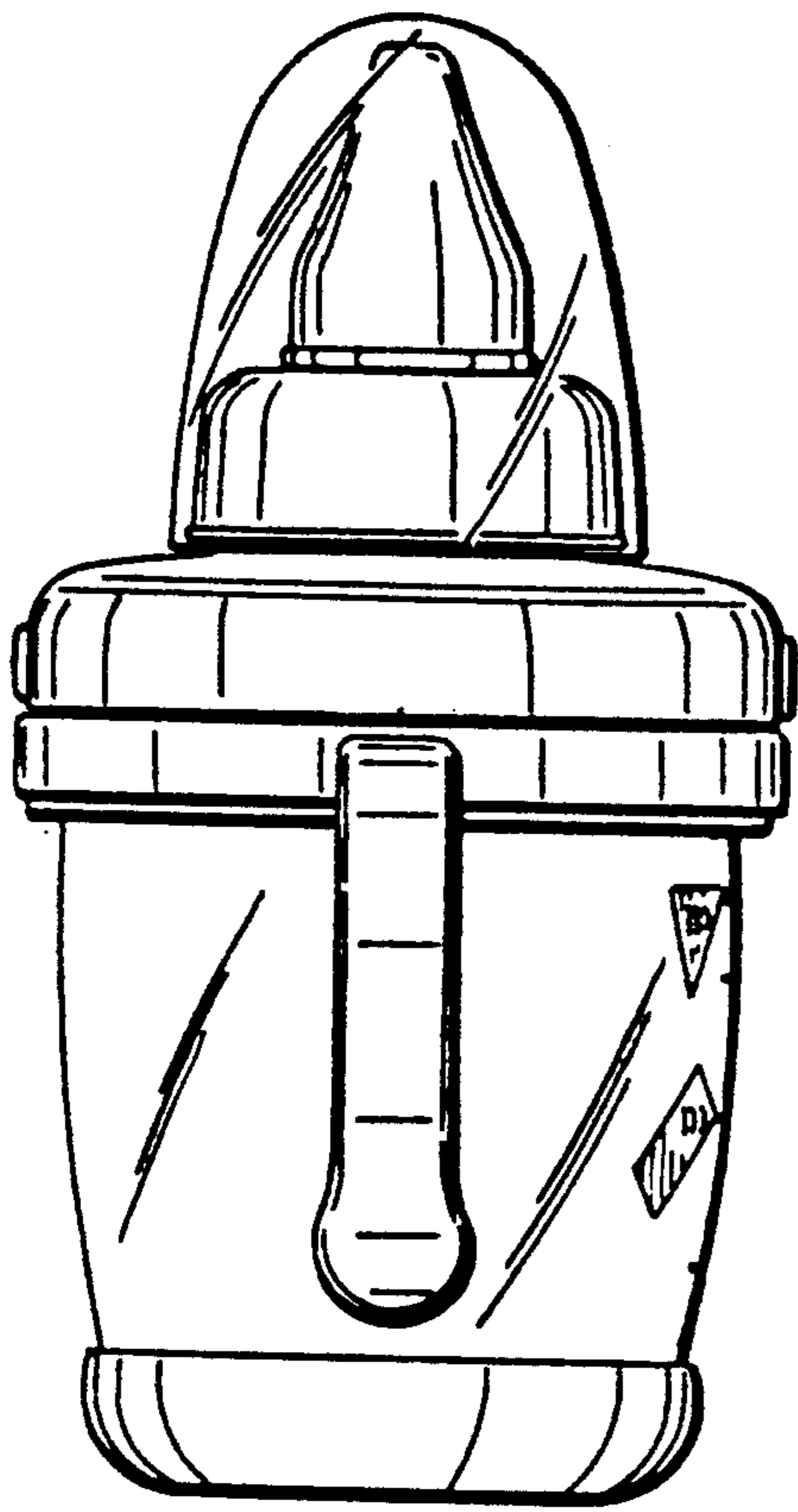


Fig. 23

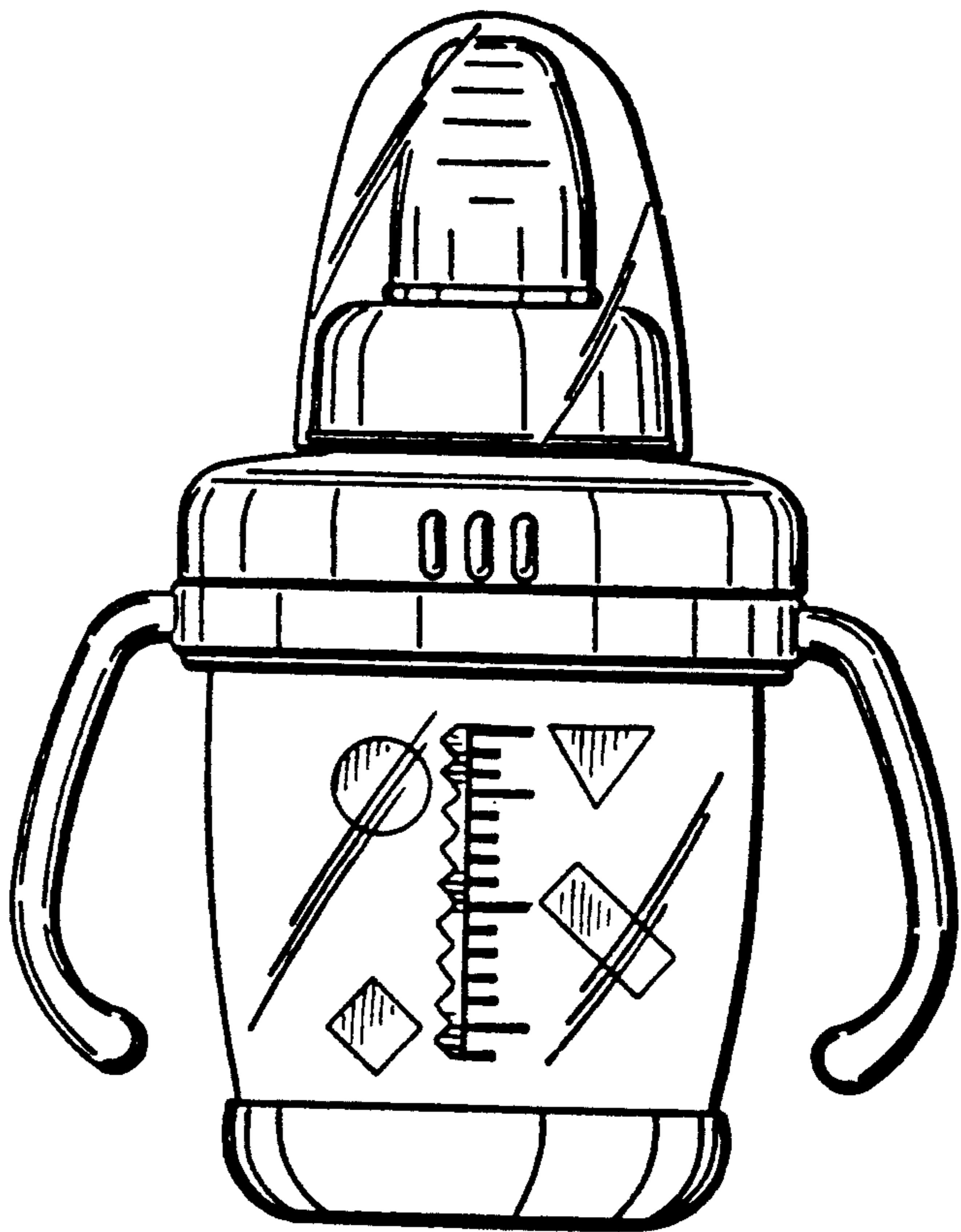


Fig. 24

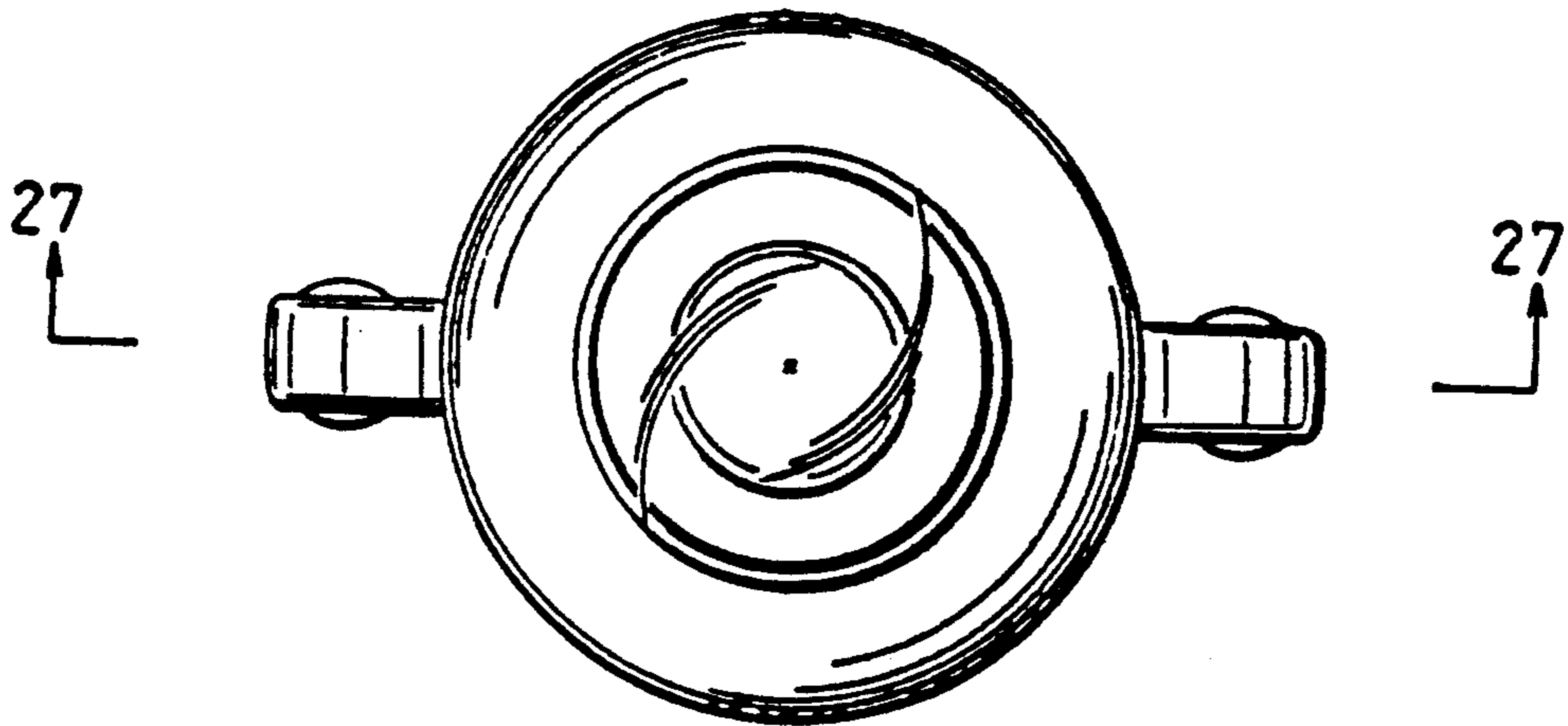


Fig. 25

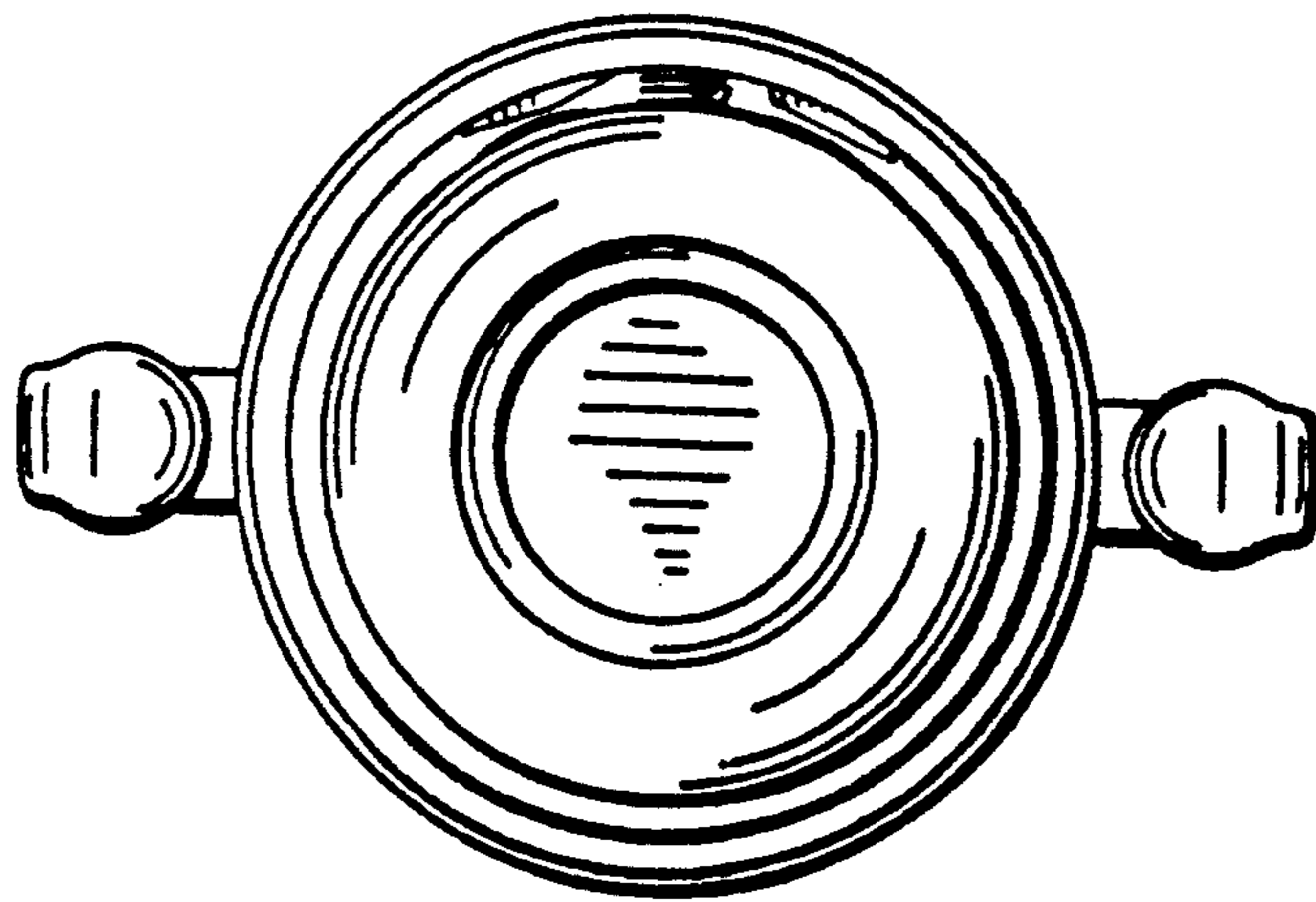


Fig. 26

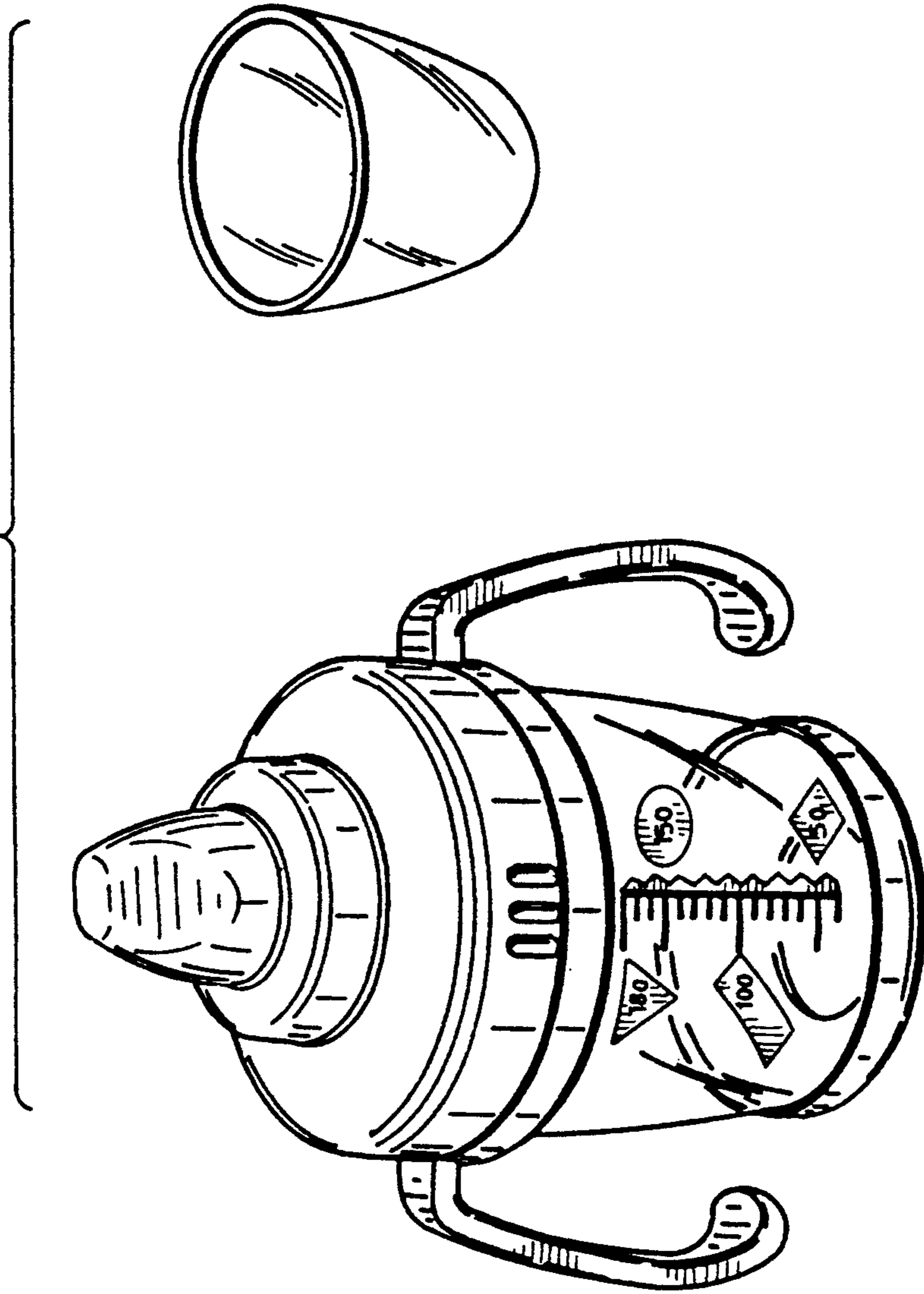


Fig. 27

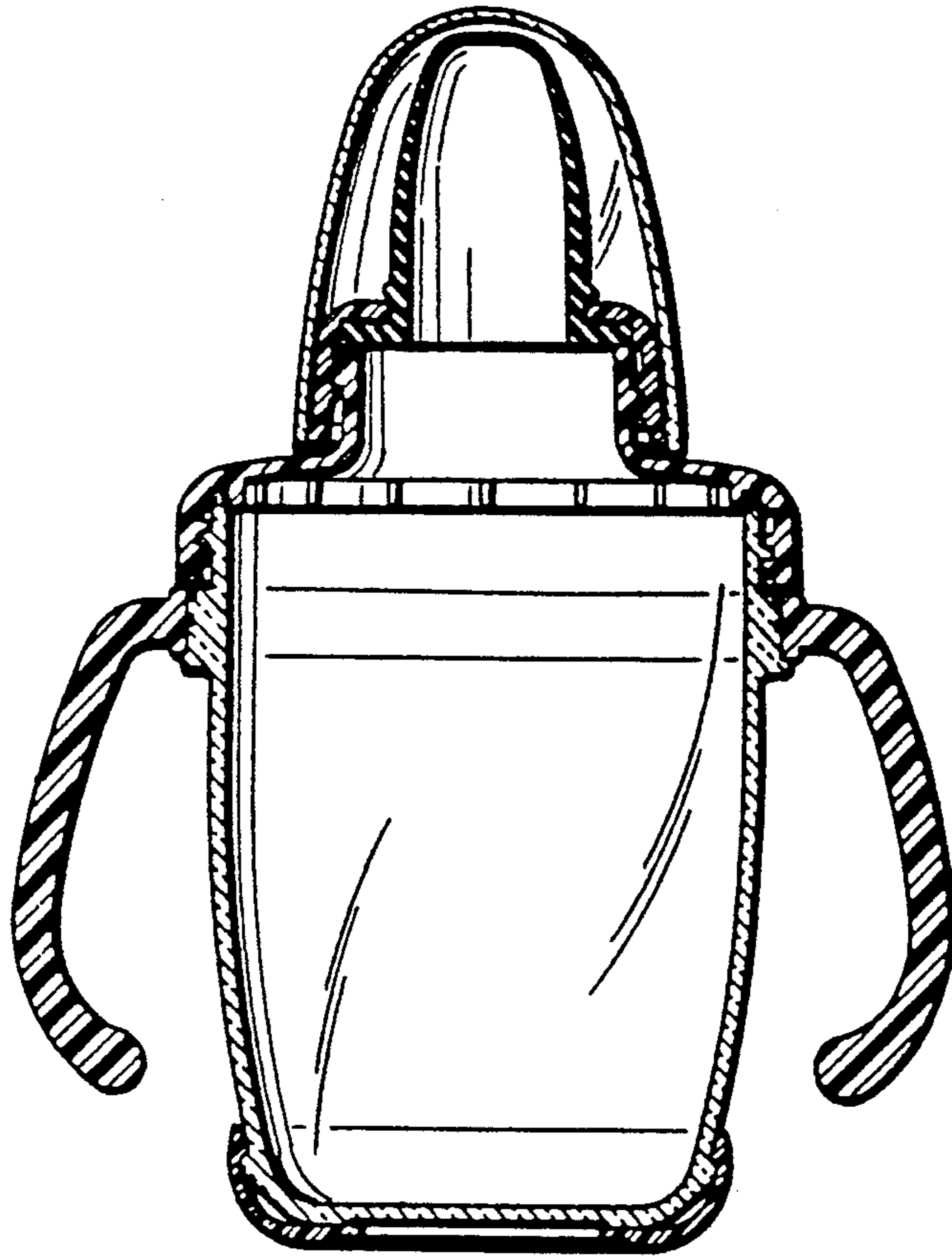


Fig. 28

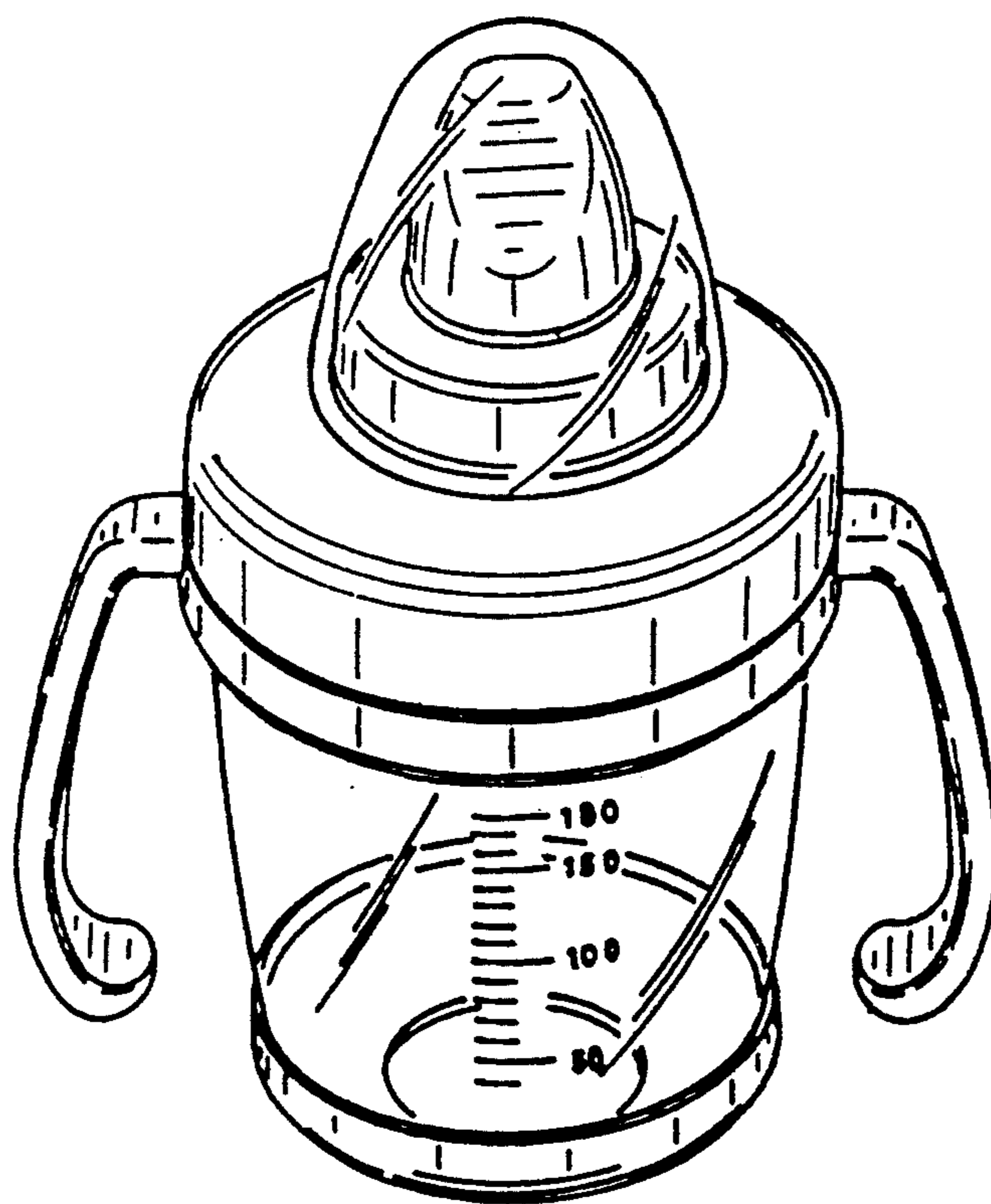


Fig. 29

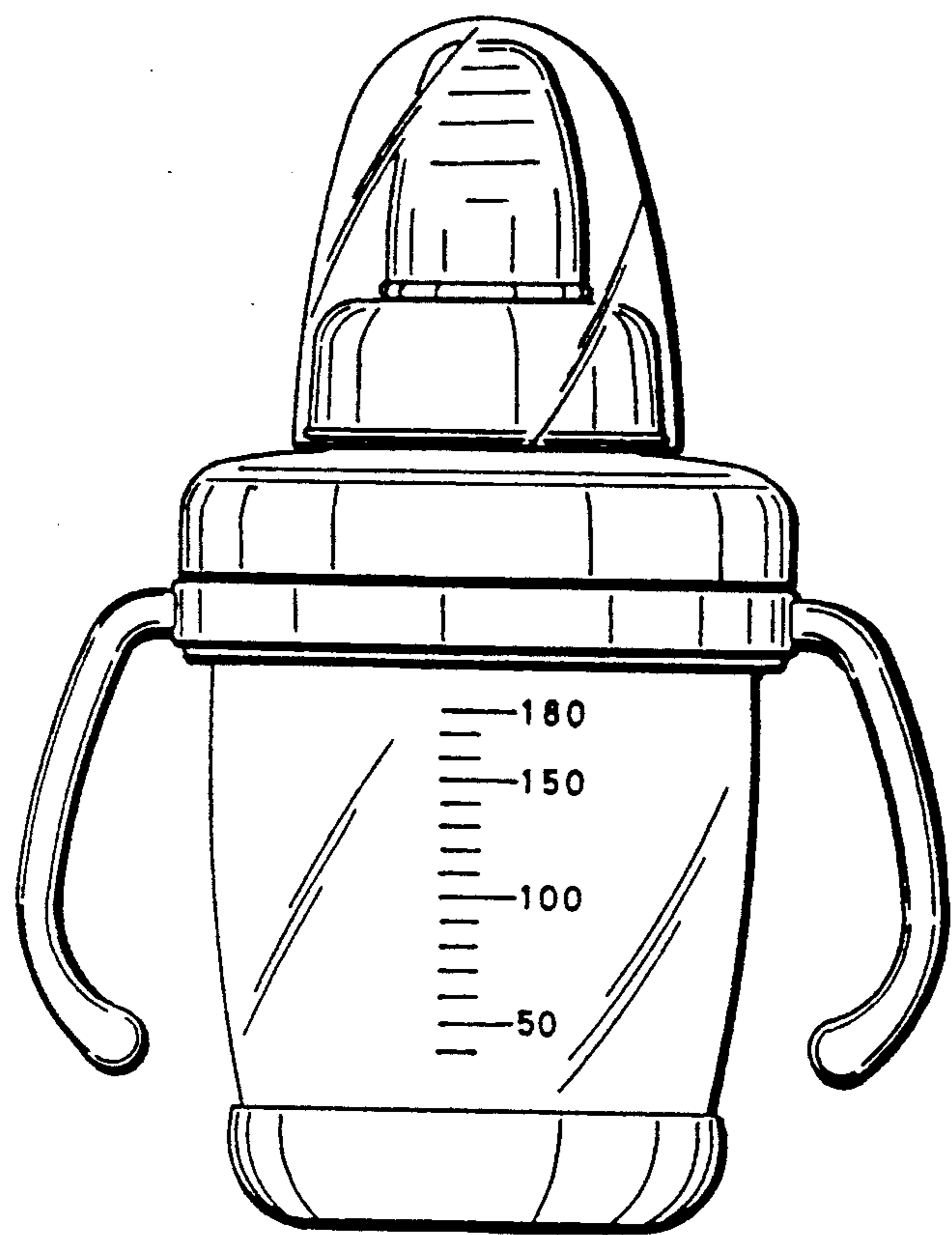


Fig. 30

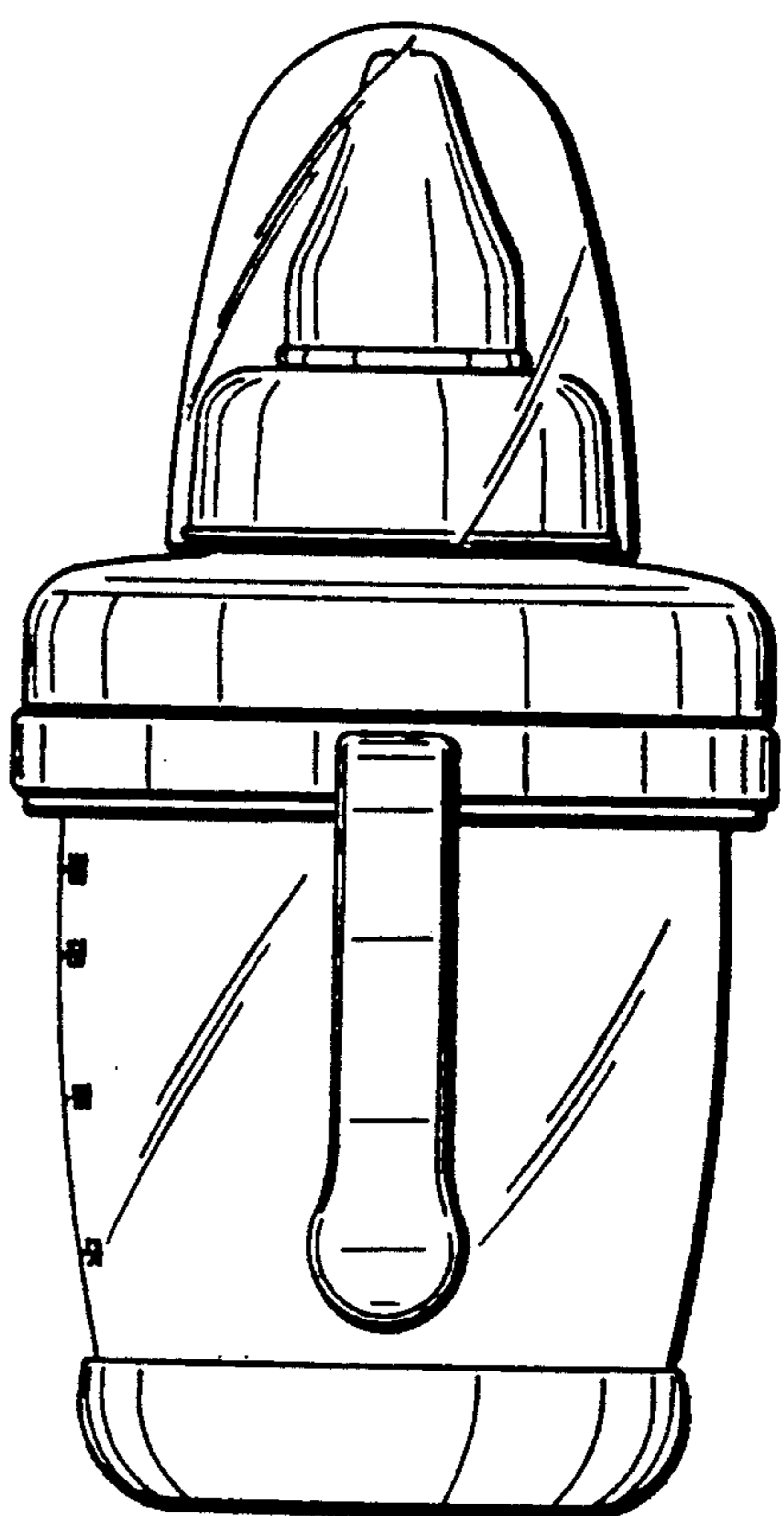


Fig. 31

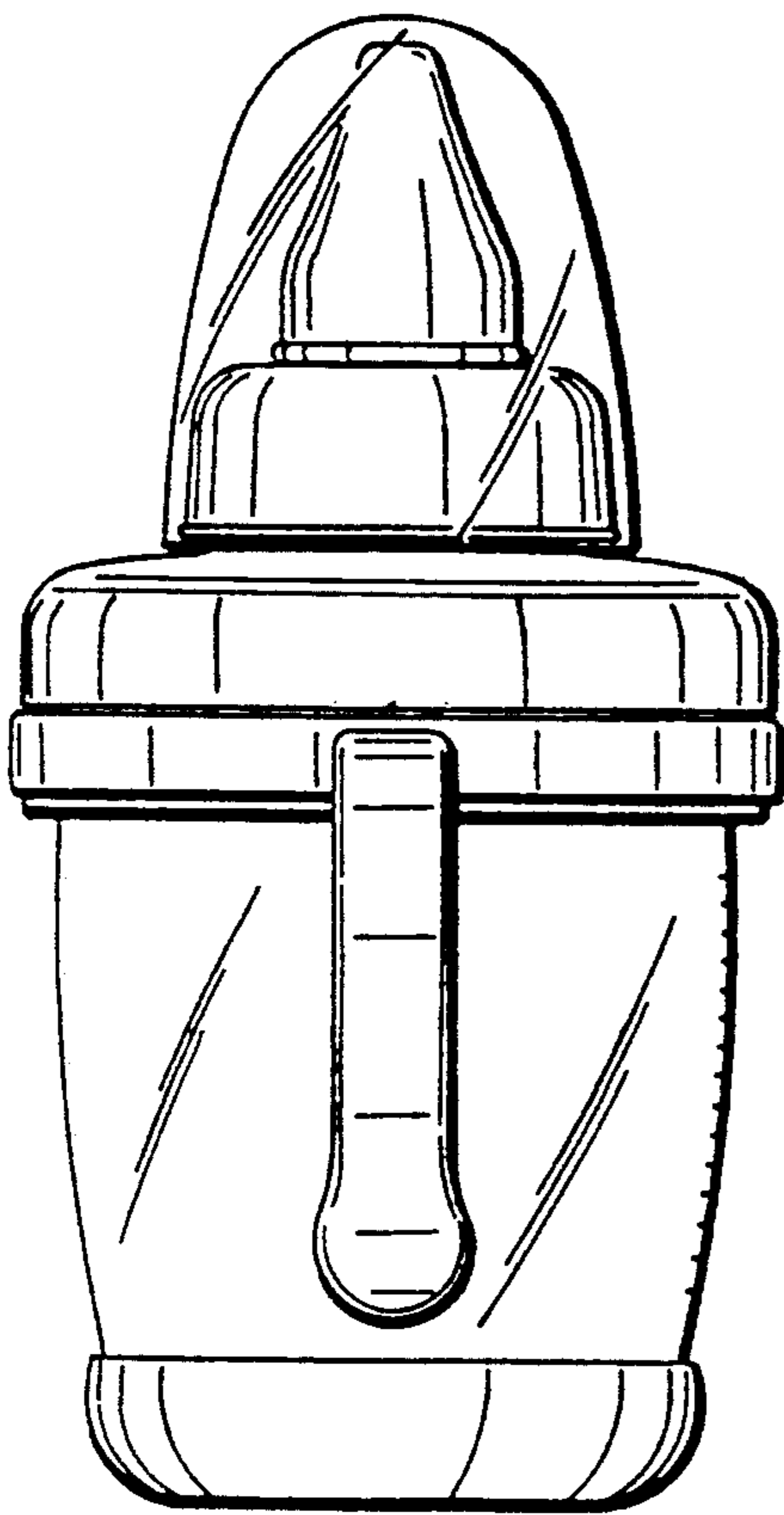


Fig. 32

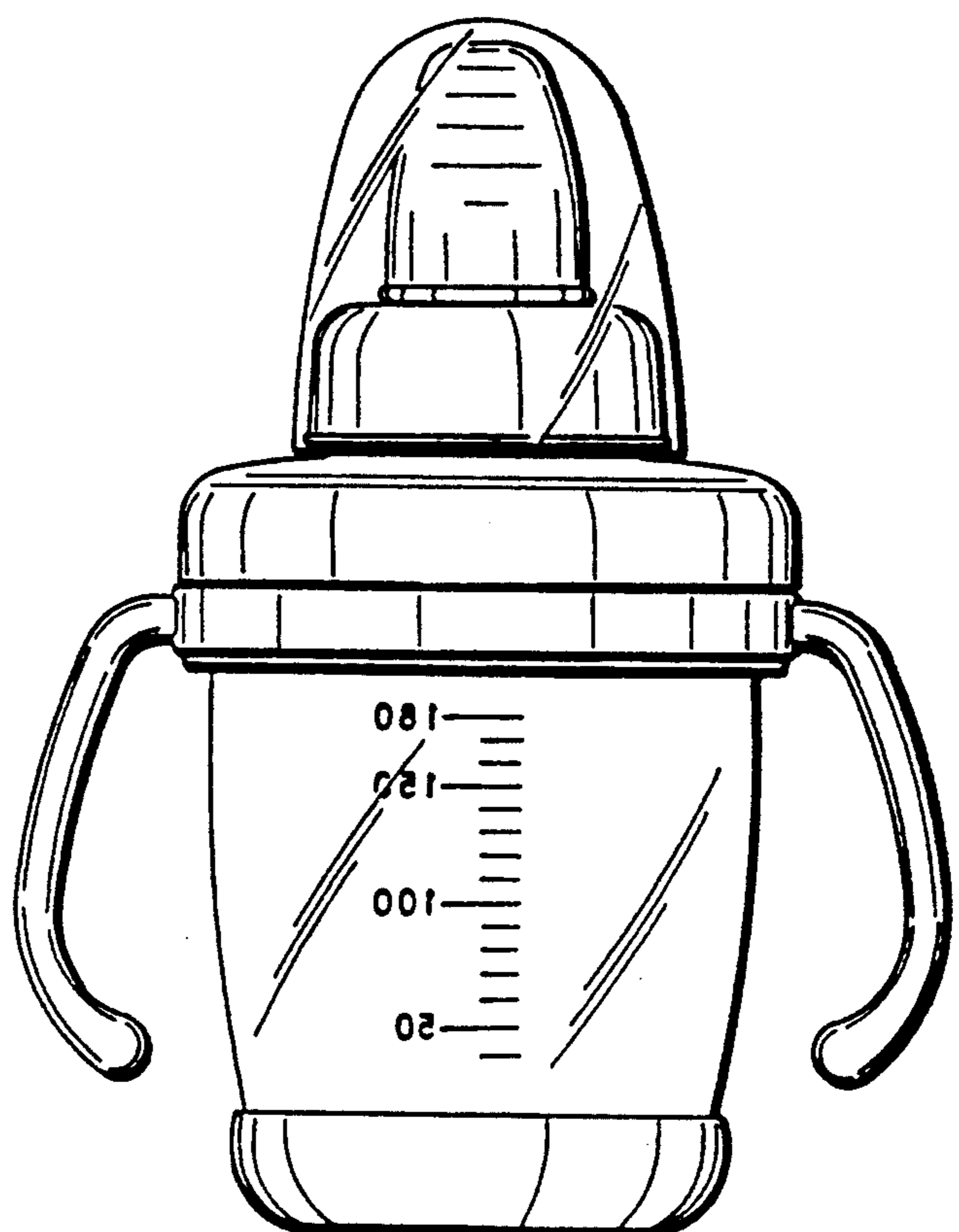


Fig. 33

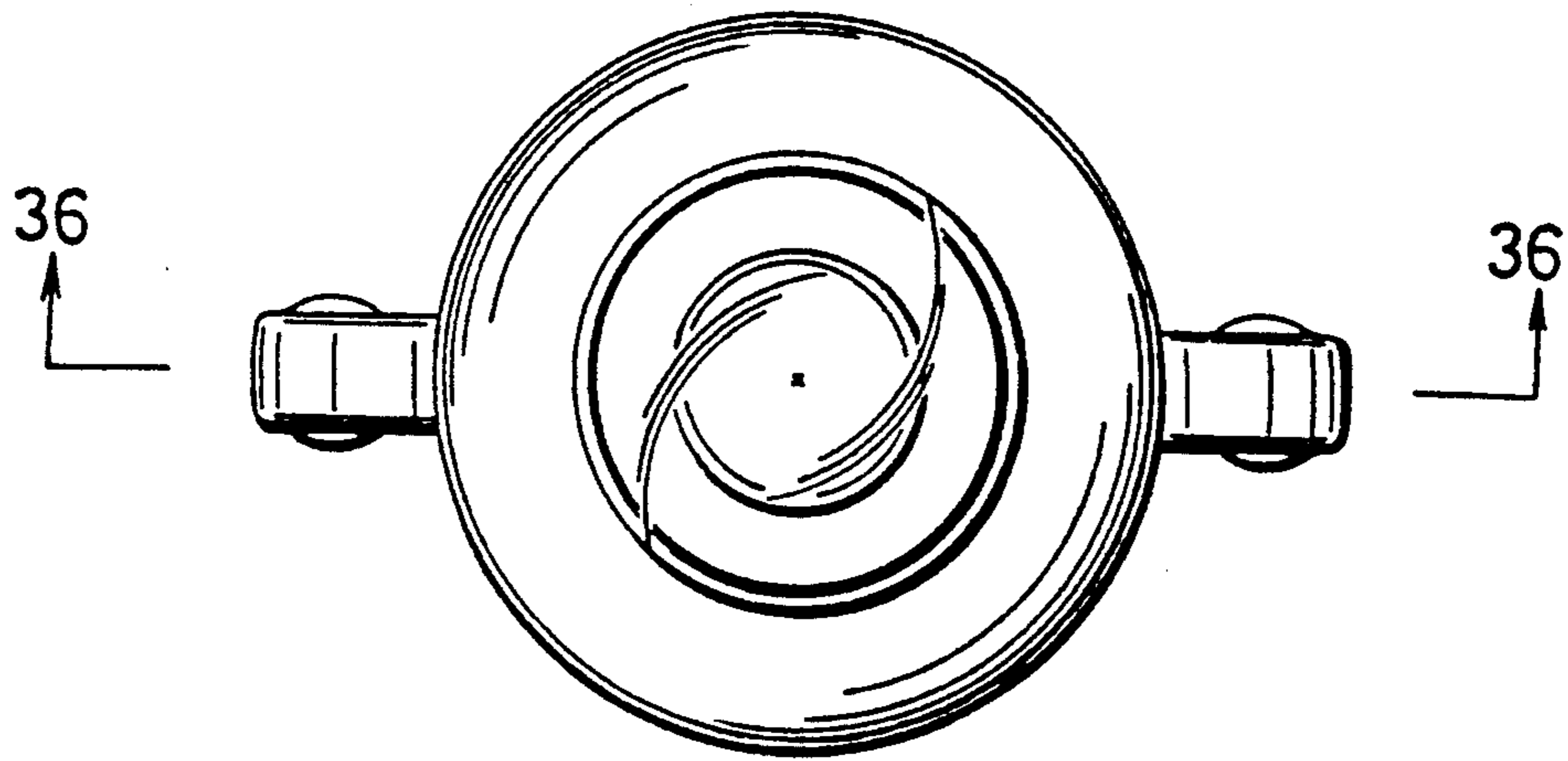


Fig. 34

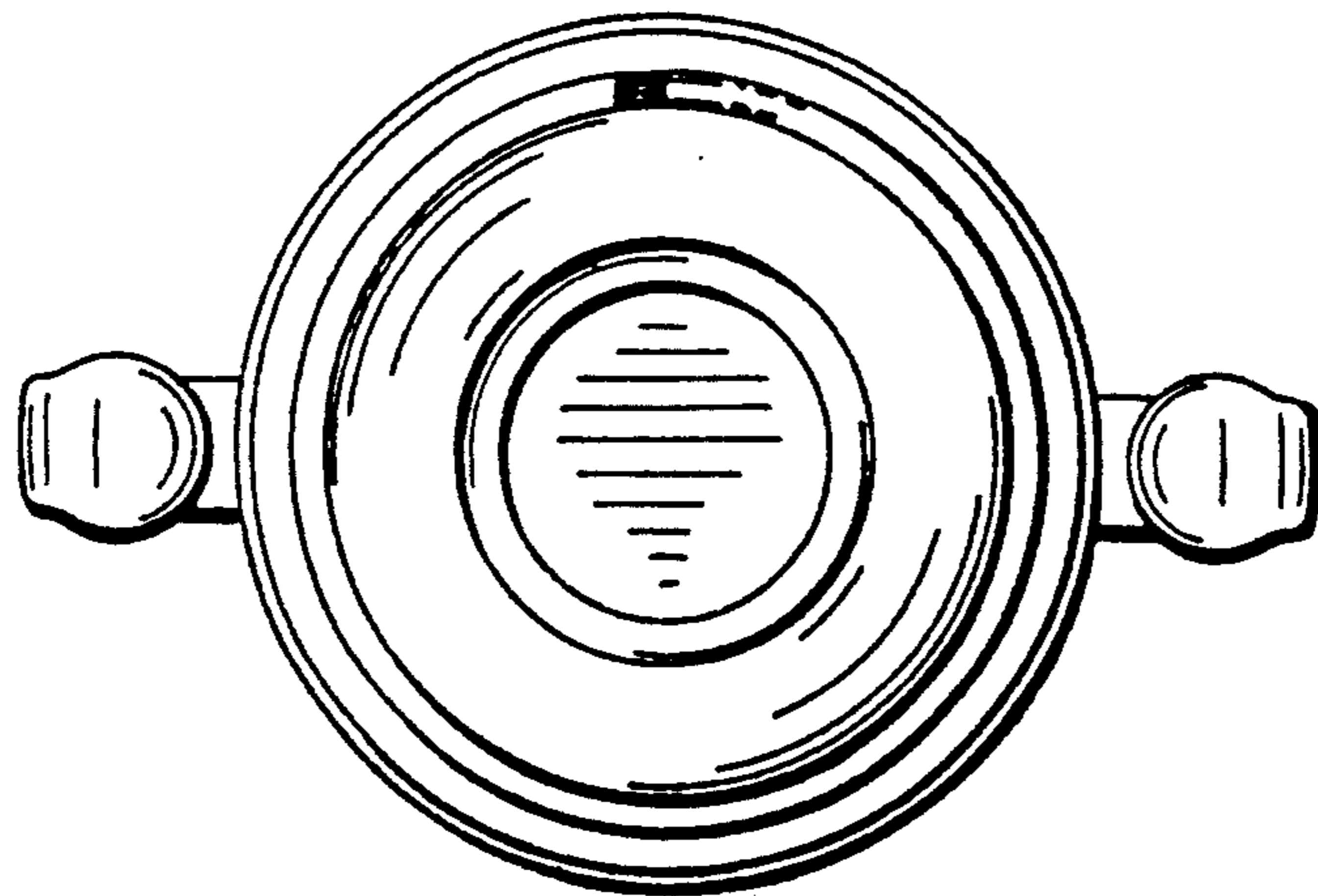


Fig. 35

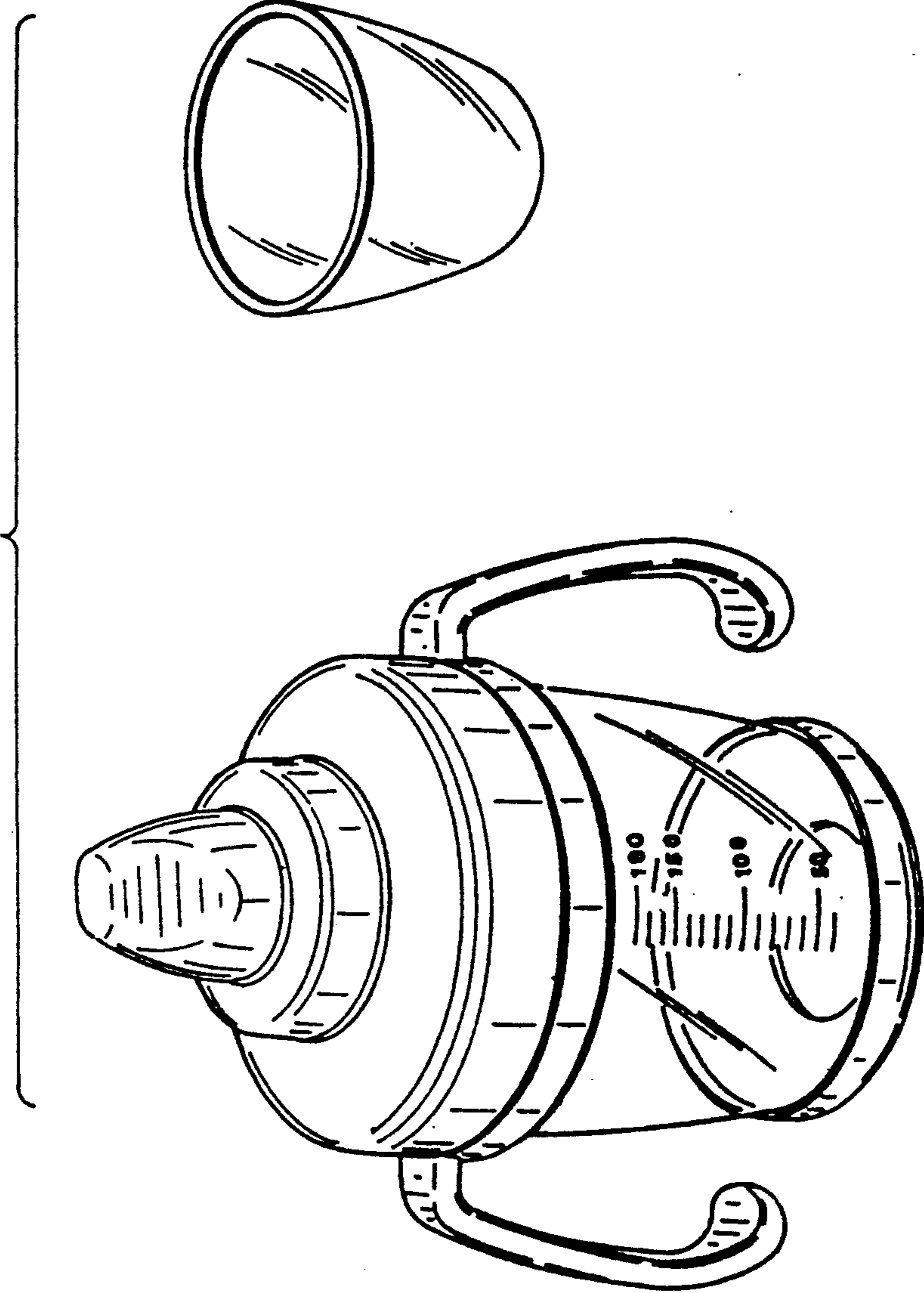


Fig. 36

