



US00D341890S

United States Patent [19]

[11] Patent Number: **Des. 341,890**

Sievert et al.

[45] Date of Patent: **** Nov. 30, 1993**

[54] AUTOTRANSFUSION SYSTEM HOUSING

4,955,877 9/1990 Kurtz et al. D24/169 X

[75] Inventors: **Michael K. Sievert**, Littleton;
Richard G. Matt, Pine; **Clark M. Hill**,
Denver, all of Colo.

OTHER PUBLICATIONS

Brochure of Electromedics, Inc., 1991.

[73] Assignee: **Electromedics, Inc.**, Englewood,
Colo.

Primary Examiner—Stella Reid

Attorney, Agent, or Firm—Gary M. Polumbus

[**] Term: **14 Years**

[57] CLAIM

The ornamental design for an autotransfusion system housing, as shown.

[21] Appl. No.: **782,466**

[22] Filed: **Oct. 25, 1991**

DESCRIPTION

[52] U.S. Cl. **D24/69**

[58] Field of Search **D24/169; 604/4, 319-321,**
604/317, 400

FIG. 1 is an isometric view of an autotransfusion system housing showing our new design;

FIG. 2 is a reduced front elevation;

FIG. 3 is a top plan view;

FIG. 4 is a right side elevation;

FIG. 5 is a left side elevation;

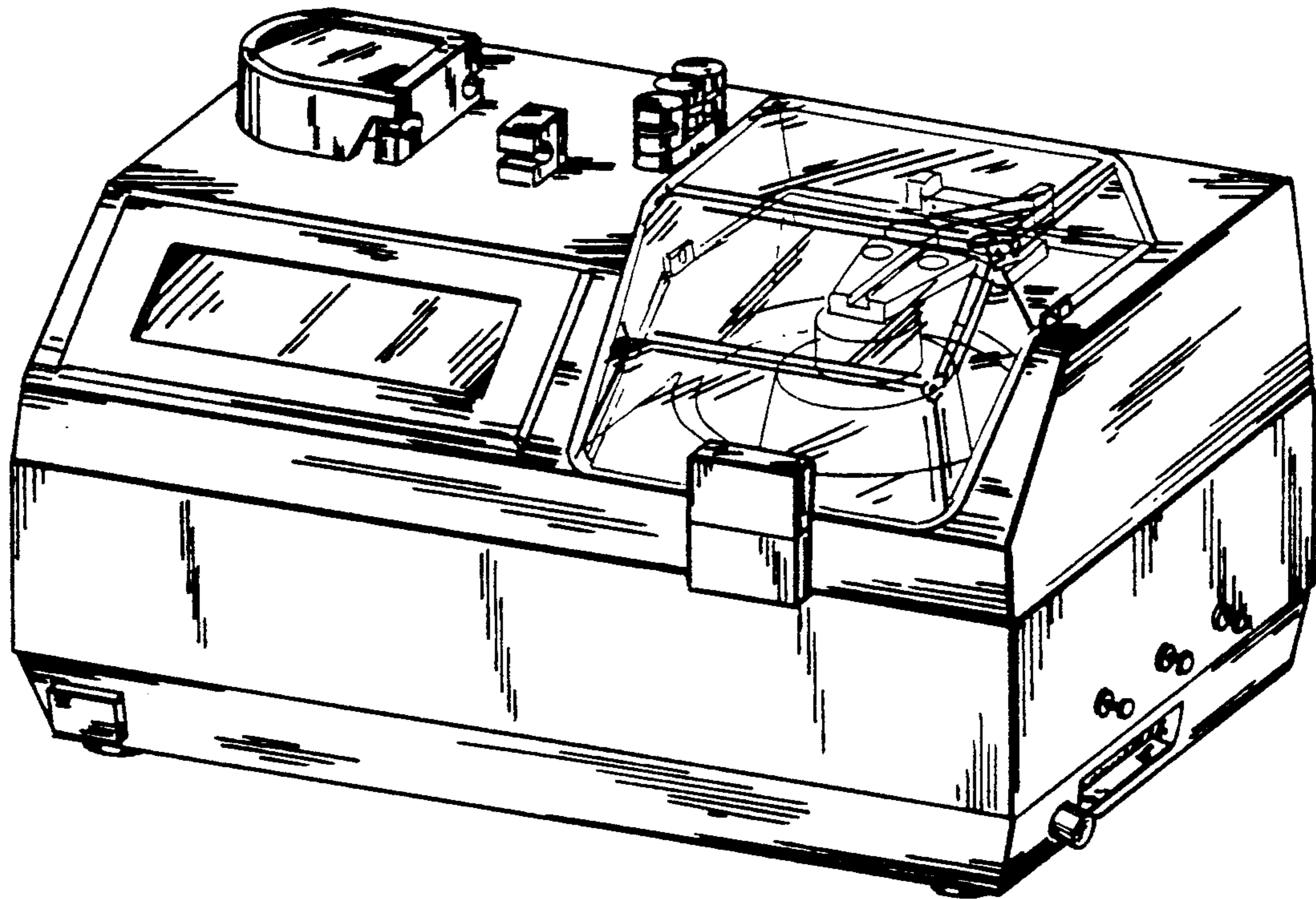
FIG. 6 is a rear elevation; and,

FIG. 7 is a bottom plan view thereof.

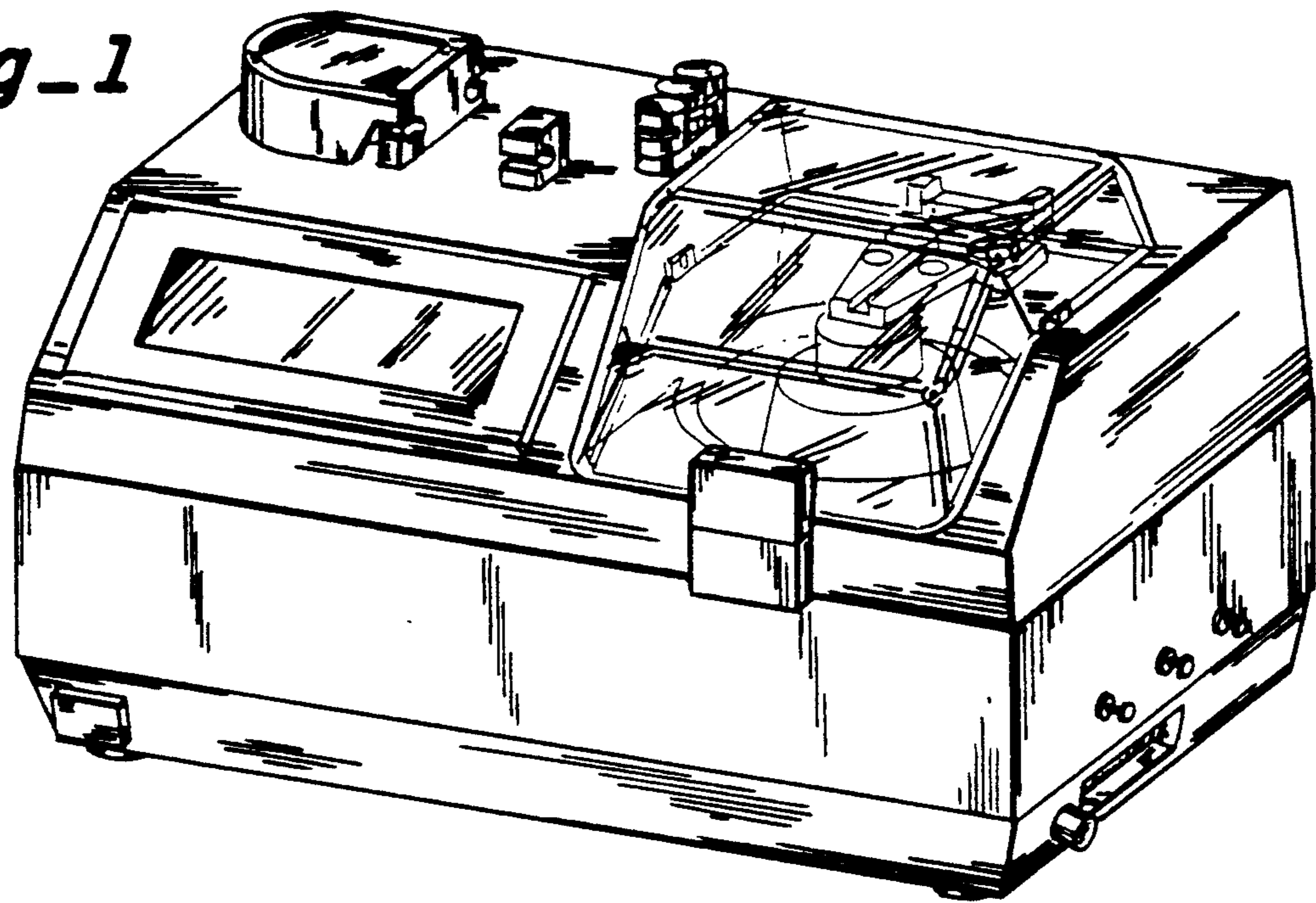
[56] References Cited

U.S. PATENT DOCUMENTS

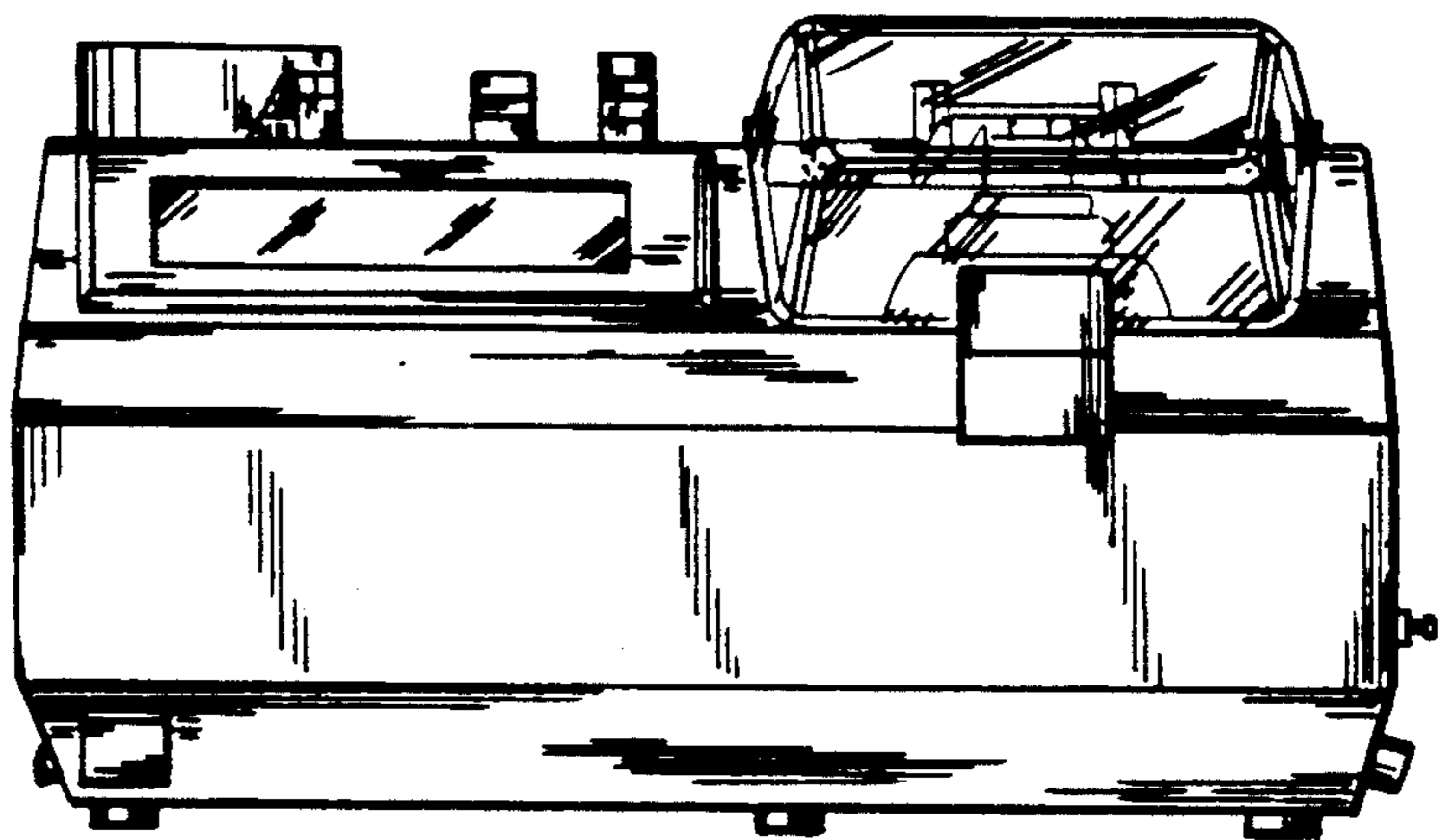
D. 299,533 1/1989 Blanco D24/169
4,898,593 2/1990 Swisher et al. 604/319



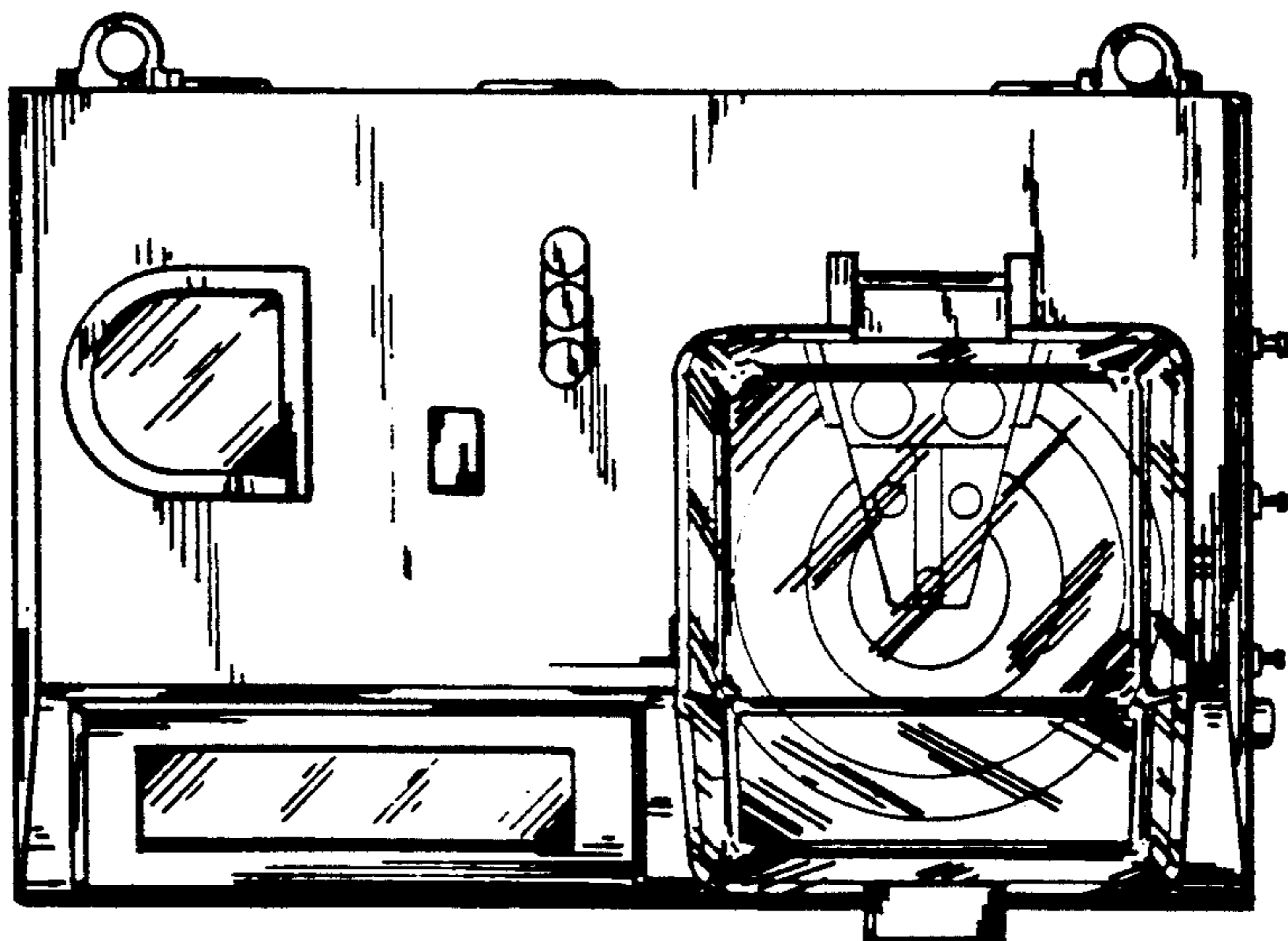
Fig_1

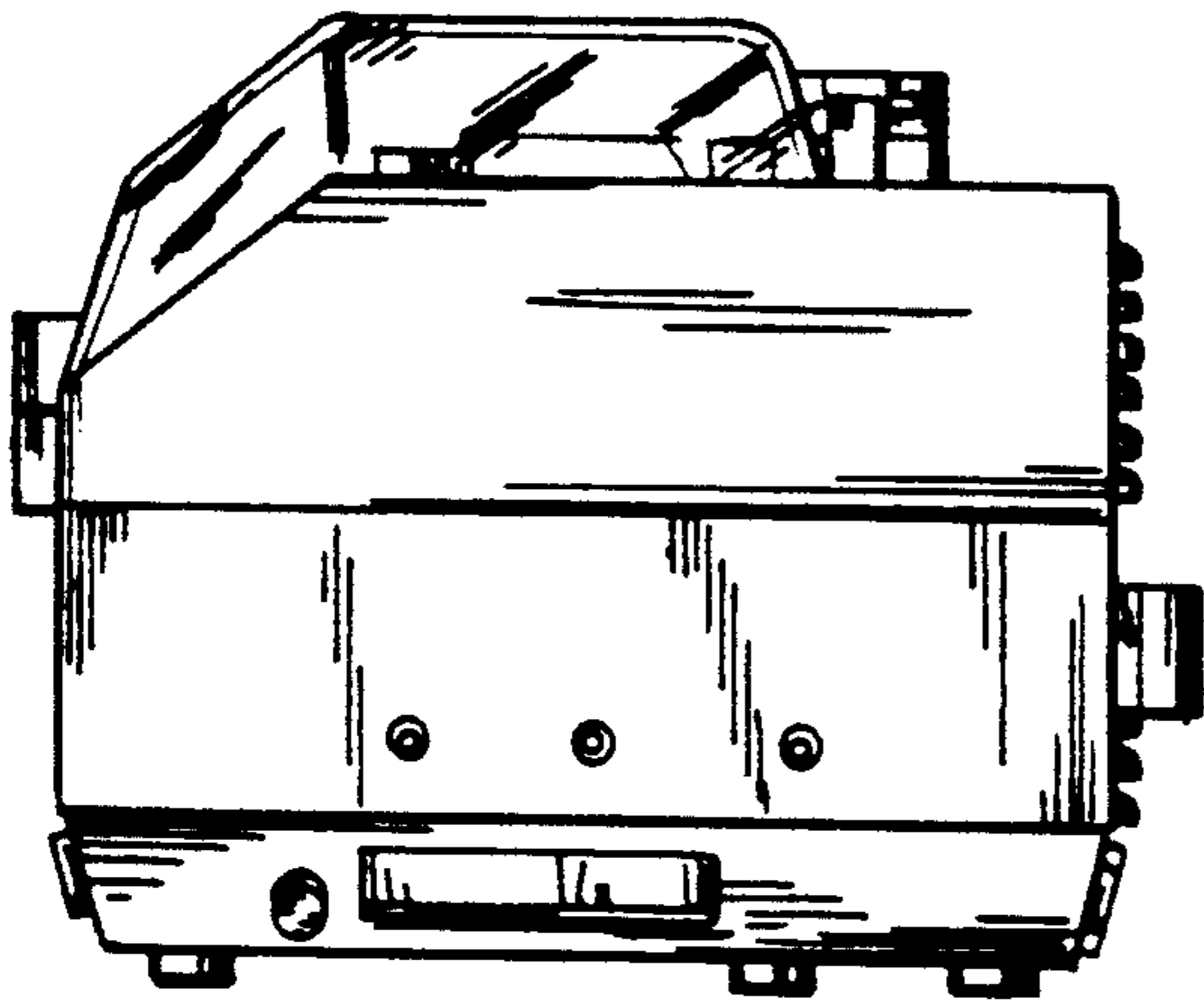


Fig_2

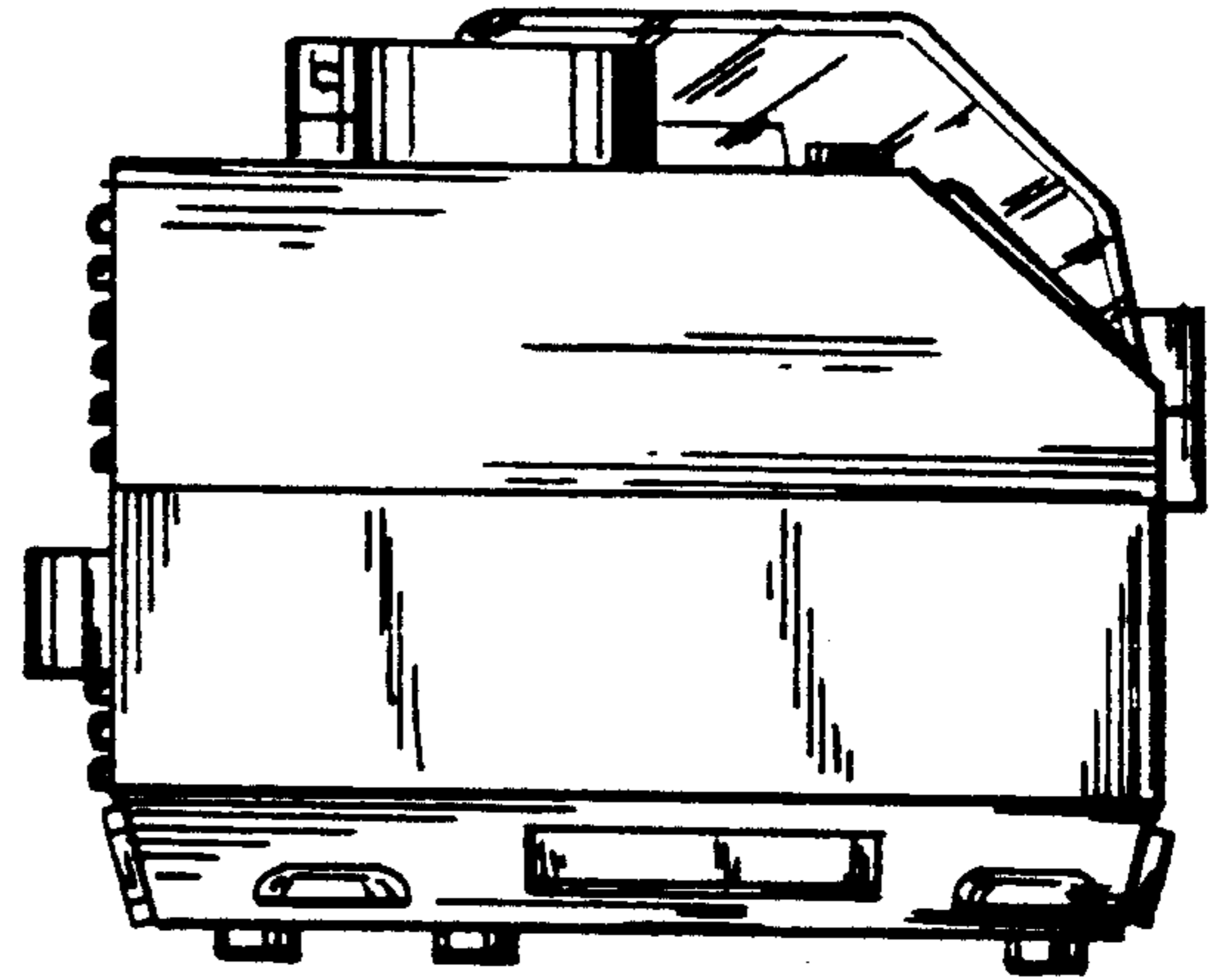


Fig_3



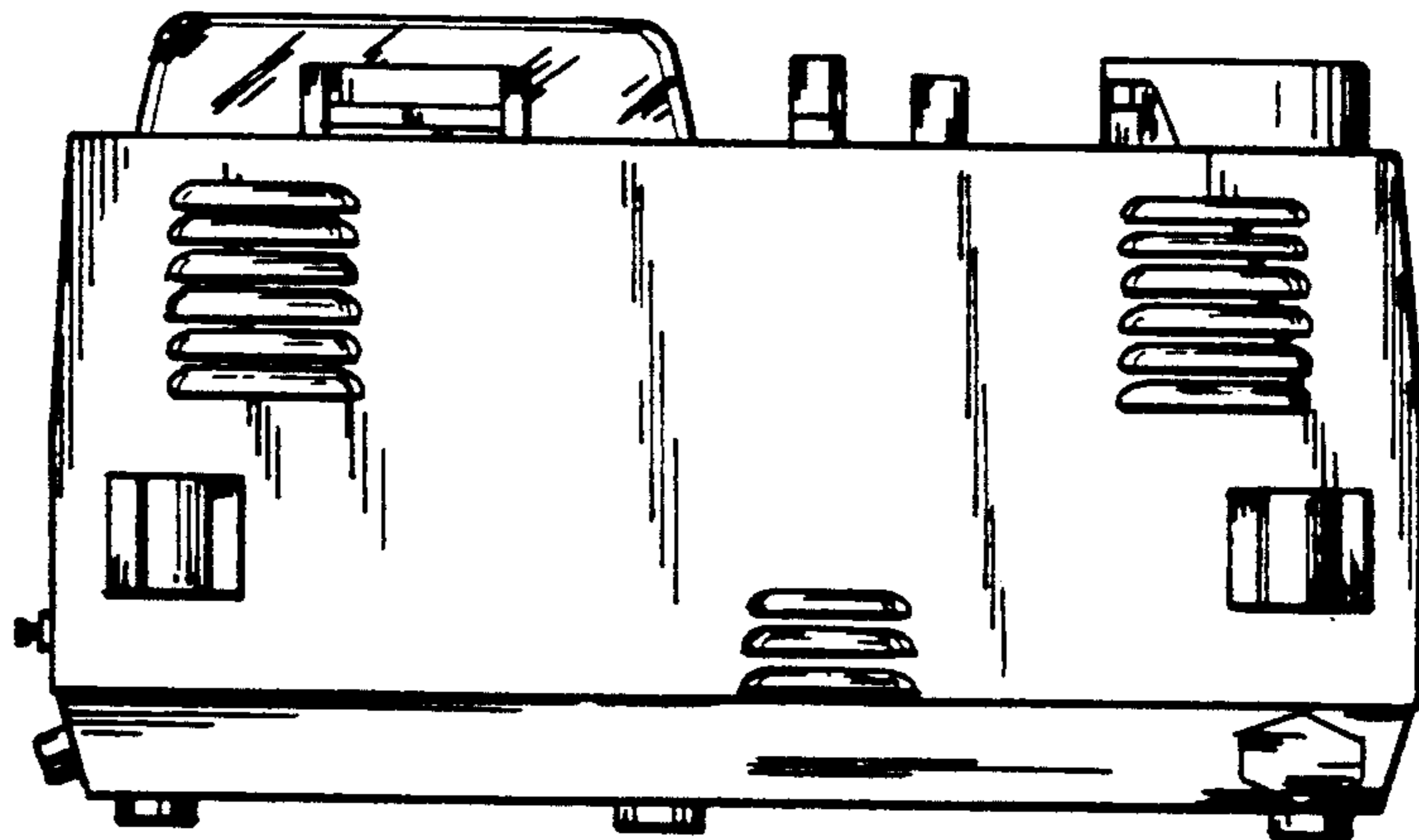


Fig_4



Fig_5

Fig_6



Fig_7

