



US00D341883S

# United States Patent [19]

[11] Patent Number: **Des. 341,883**

Jones et al.

[45] Date of Patent: **\*\* Nov. 30, 1993**

## [54] SPECIMEN CUP HOLDER

[76] Inventors: **Timothy B. Jones**, 200 15th St., No. 134, Edmond, Okla. 73013; **Robert D. Jones**; **Lori D. Jones**, both of 1452 N. Washington, Ardmore, Okla. 73401

[\*] Notice: The portion of the term of this patent subsequent to Nov. 30, 2007 has been disclaimed.

[\*\*] Term: **14 Years**

[21] Appl. No.: **616,307**

[22] Filed: **Nov. 21, 1990**

[52] U.S. Cl. .... **D24/128; D7/620; D24/127**

[58] Field of Search ..... **D24/121, 122, 123, 128, D24/227, 228; D1/123, 124; D3/611, 620; 126/82; 248/311.2, 315; 446/15, 16, 21, 20; 24/17 AP, 305 R, 305 P; 128/760, 761, 763**

## [56] References Cited

### U.S. PATENT DOCUMENTS

D. 178,749	9/1956	Bachechi	.....	D83/1
D. 195,930	8/1963	Hill et al.	.....	D83/1
D. 212,516	10/1968	Beich	.....	D83/1
D. 217,793	6/1970	Hachmeister	.....	D24/2
D. 238,308	12/1975	Sherin	.....	D24/4
D. 256,279	8/1980	Huggins	.....	D7/620 X
D. 258,311	2/1981	Peterson	.....	D24/54
D. 259,511	6/1981	Peterson	.....	D24/54
D. 306,648	3/1990	Jones et al.	.....	D24/54
2,628,054	2/1953	Fazakerley	.....	248/311
4,244,920	1/1981	Manchot et al.	.....	128/760 X
5,058,787	10/1991	Chou	.....	248/312.1 X

### OTHER PUBLICATIONS

The Lancet Publication Jan. 3, 1970, FIG. 2 lower right "Urinal Lid with pommel rack and forward place cup" p. 22.

Primary Examiner—A. Hugo Word  
Assistant Examiner—I. Simmons

Attorney, Agent, or Firm—Bill D. McCarthy; Glen M. Burdick

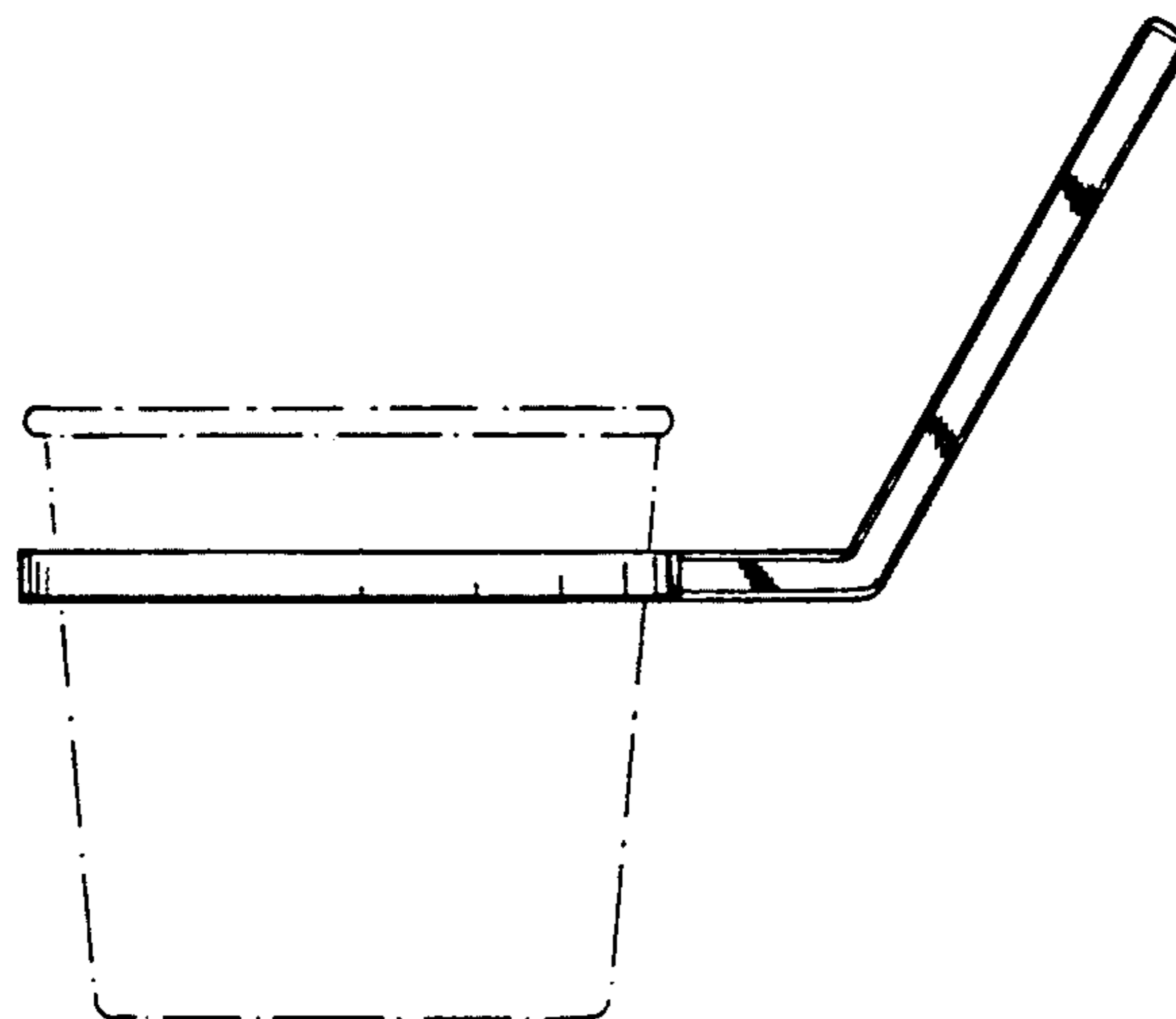
## [57] CLAIM

The ornamental design for a specimen cup holder, as shown and described.

## DESCRIPTION

FIG. 1 is a side elevational view of a specimen cup holder, showing our new design;  
 FIG. 2 is a side elevational view thereof, opposite that shown in FIG. 1;  
 FIG. 3 is a front elevational view thereof;  
 FIG. 4 is a rear elevational view thereof;  
 FIG. 5 is a top plan view thereof;  
 FIG. 6 is a bottom plan view thereof;  
 FIG. 7 is a side elevational view of a second embodiment of the specimen cup holder;  
 FIG. 8 is a side elevational view thereof, opposite that shown in FIG. 7;  
 FIG. 9 is a front elevational view thereof;  
 FIG. 10 is a rear elevational view thereof;  
 FIG. 11 is a top plan view thereof;  
 FIG. 12 is a bottom plan view thereof;  
 FIG. 13 is a side elevational view of a third embodiment of the specimen cup holder;  
 FIG. 14 is a side elevational view thereof, opposite that shown in FIG. 13;  
 FIG. 15 is a front elevational view thereof;  
 FIG. 16 is a rear elevational view thereof;  
 FIG. 17 is a top plan view thereof;  
 FIG. 18 is a bottom plan view thereof;  
 FIG. 19 is a side elevational view of a fourth embodiment of the specimen cup holder;  
 FIG. 20 is a side elevational view thereof, opposite that shown in FIG. 19;  
 FIG. 21 is a front elevational view thereof;  
 FIG. 22 is a rear elevational view thereof;  
 FIG. 23 is a top plan view thereof; and,  
 FIG. 24 is a bottom plan view thereof.

The broken line showing of the cup in FIGS. 1, 7, 13 and 19 is for illustrative purposes only and forms no part of the claimed design.



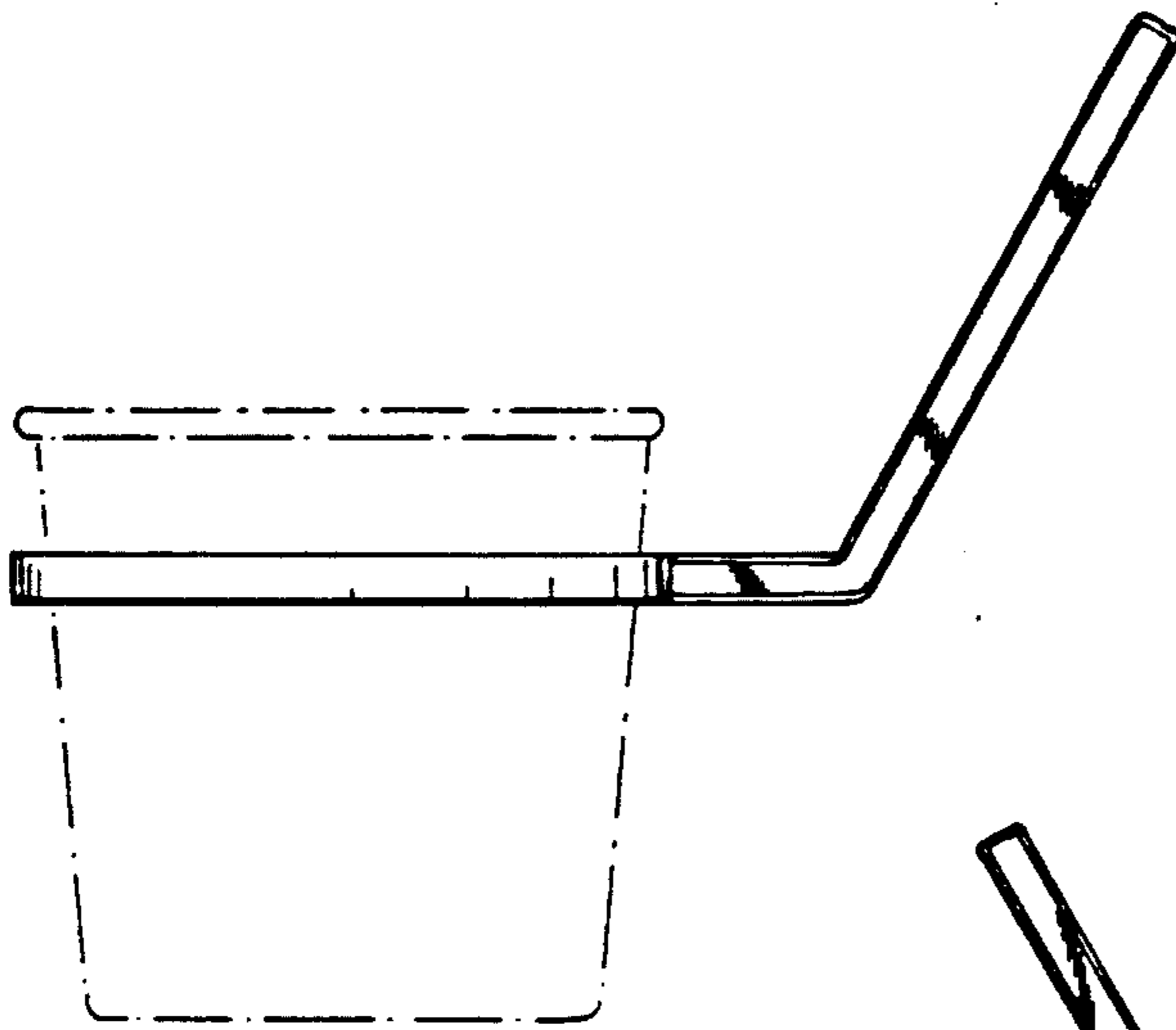


FIG. 1

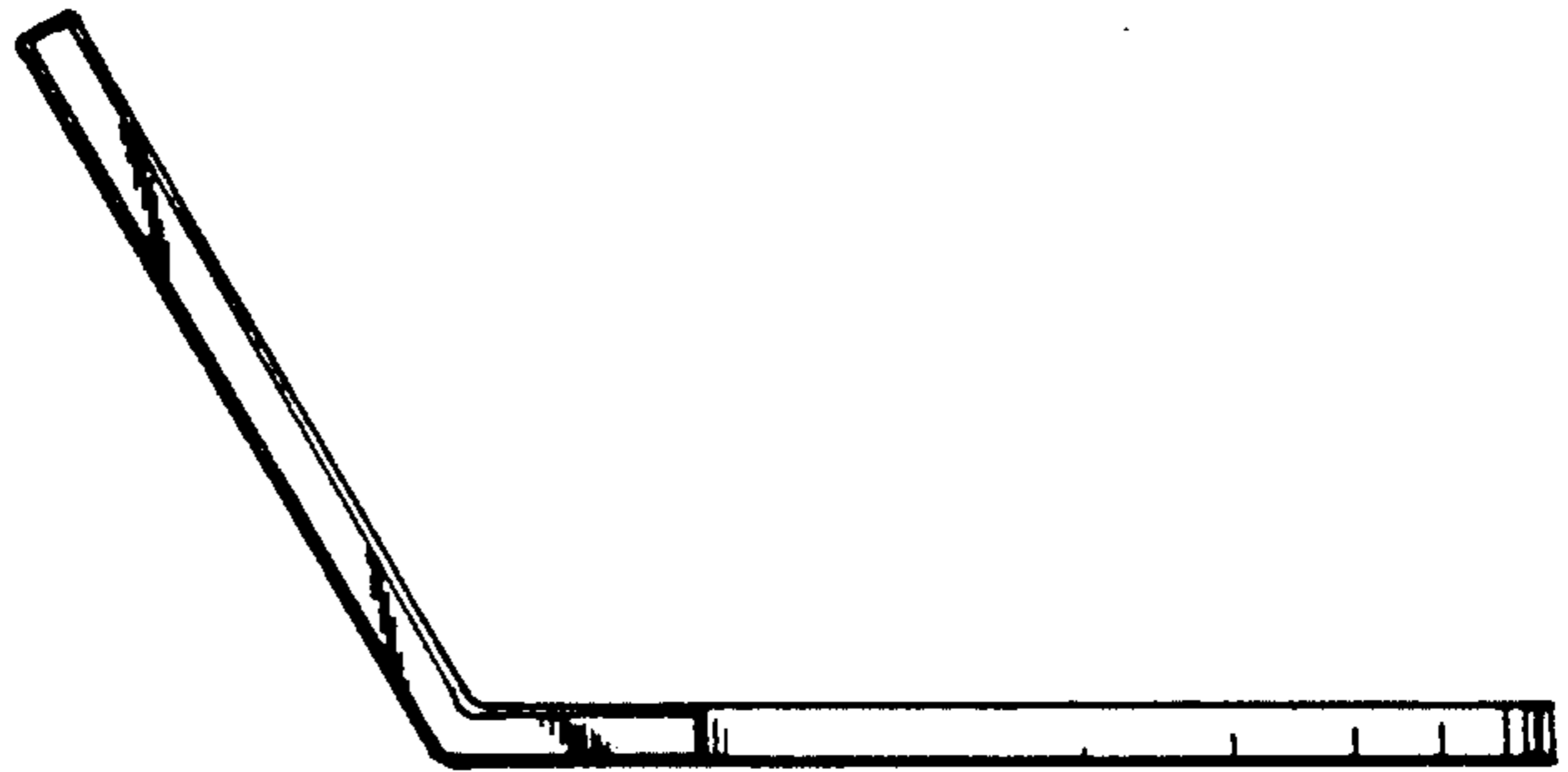


FIG. 2

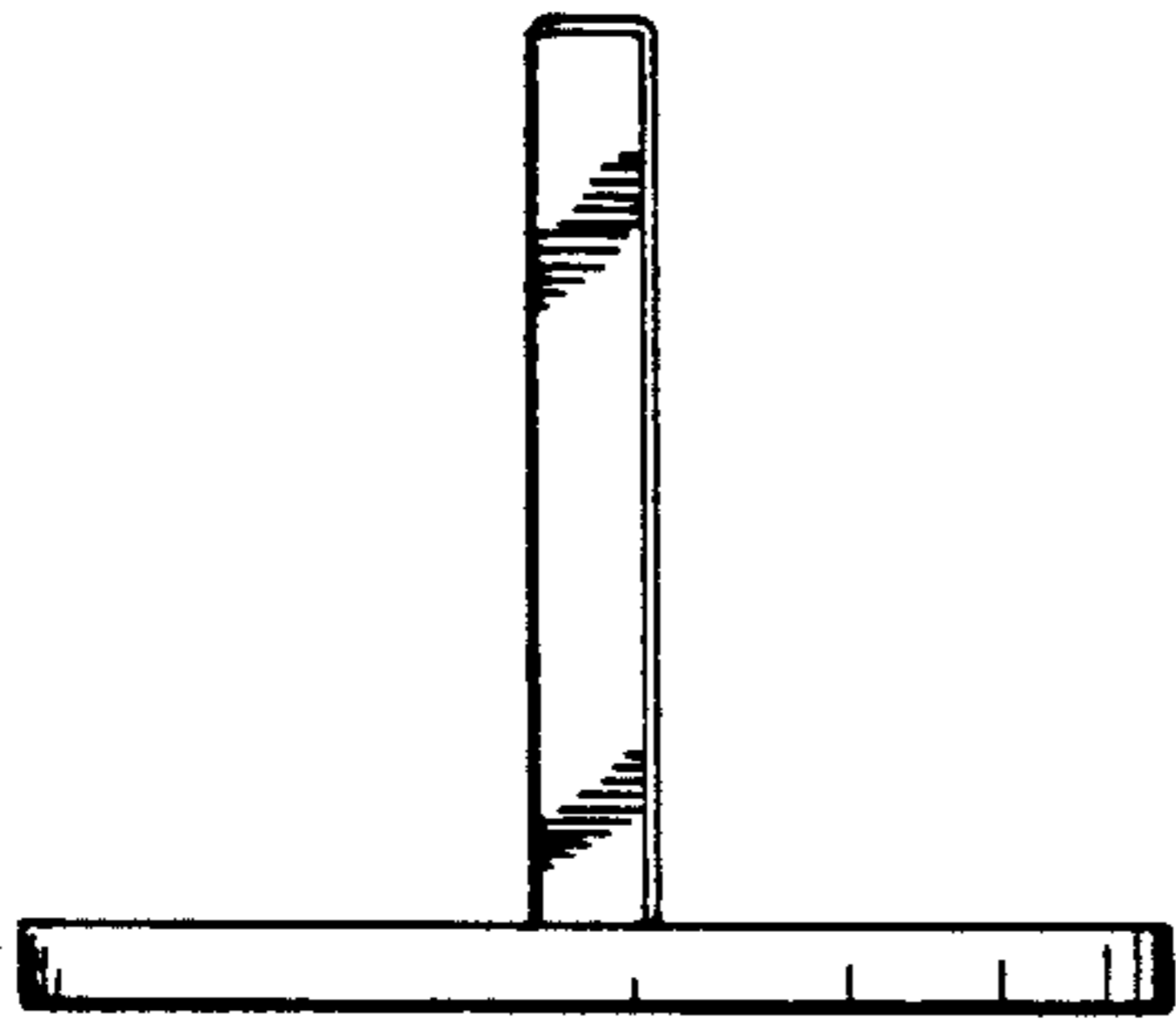


FIG. 3

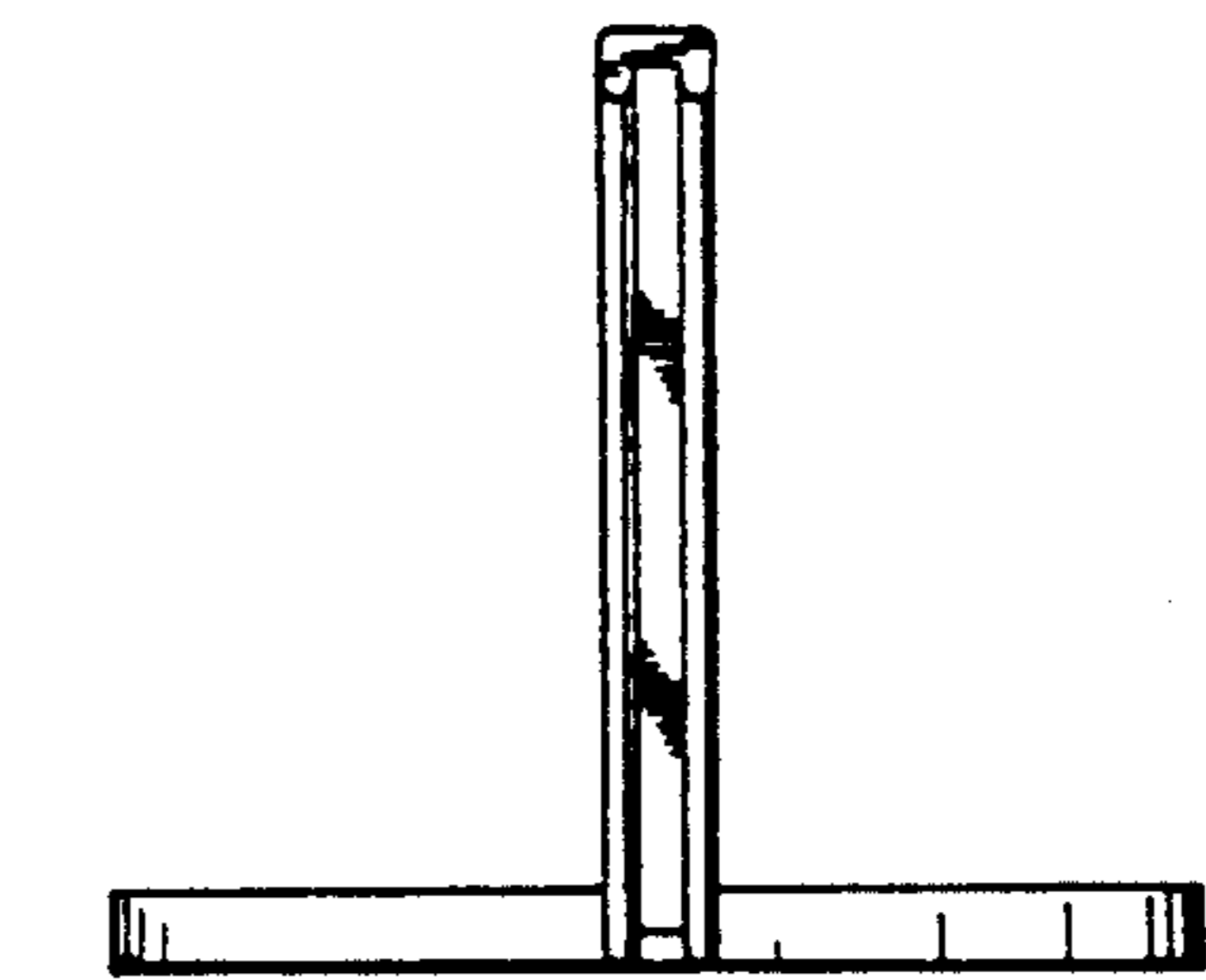


FIG. 4

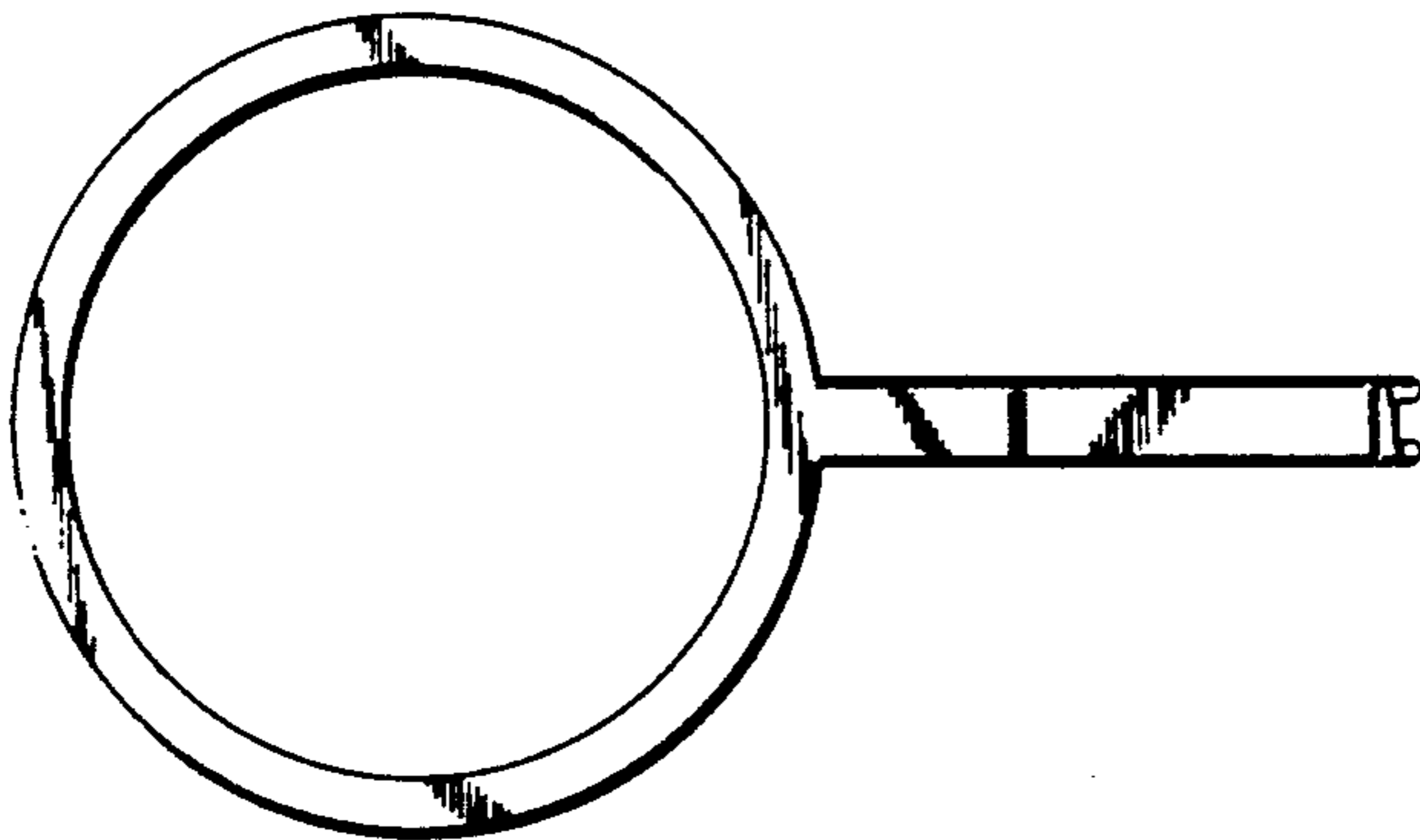


FIG. 5

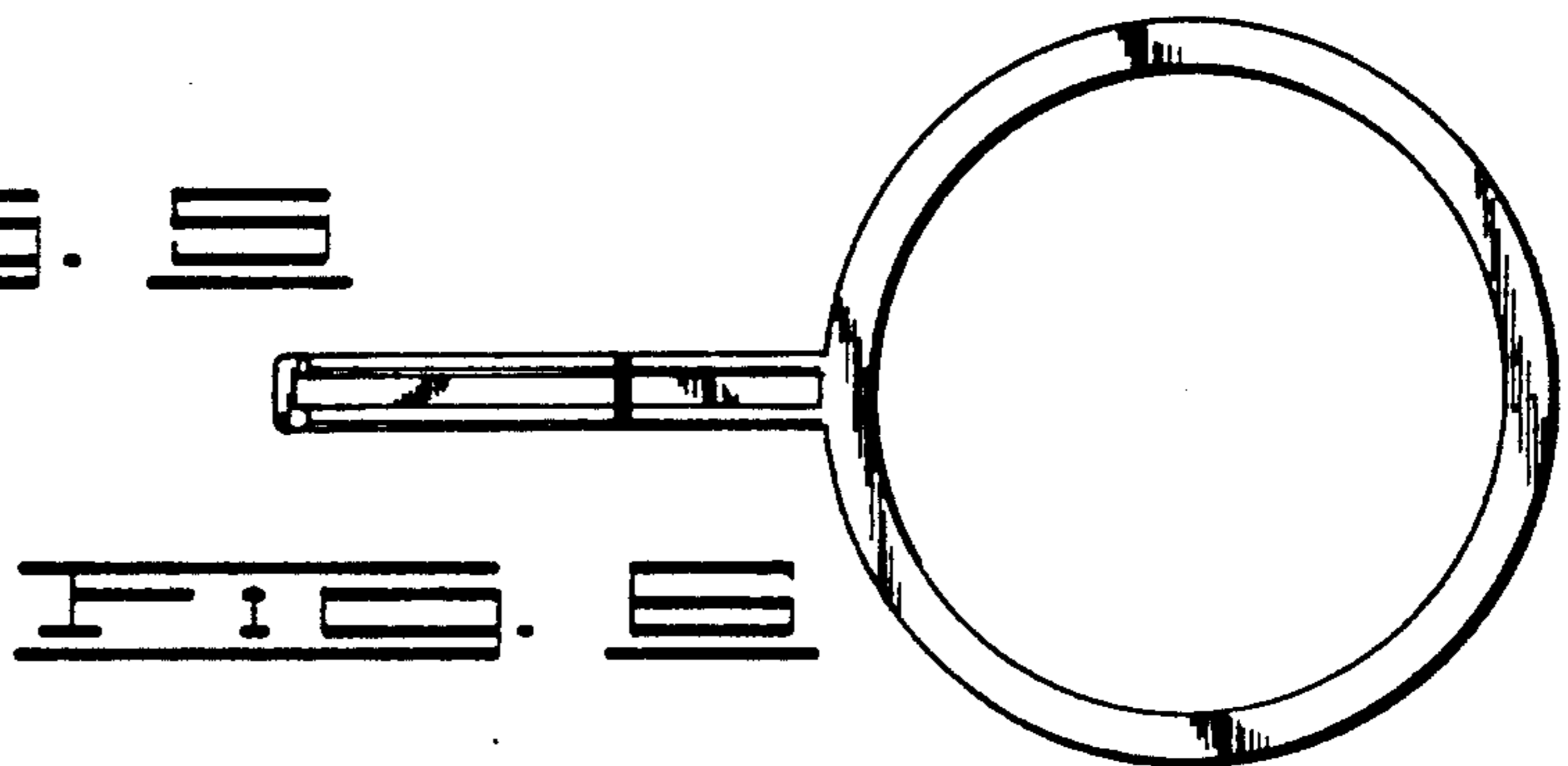
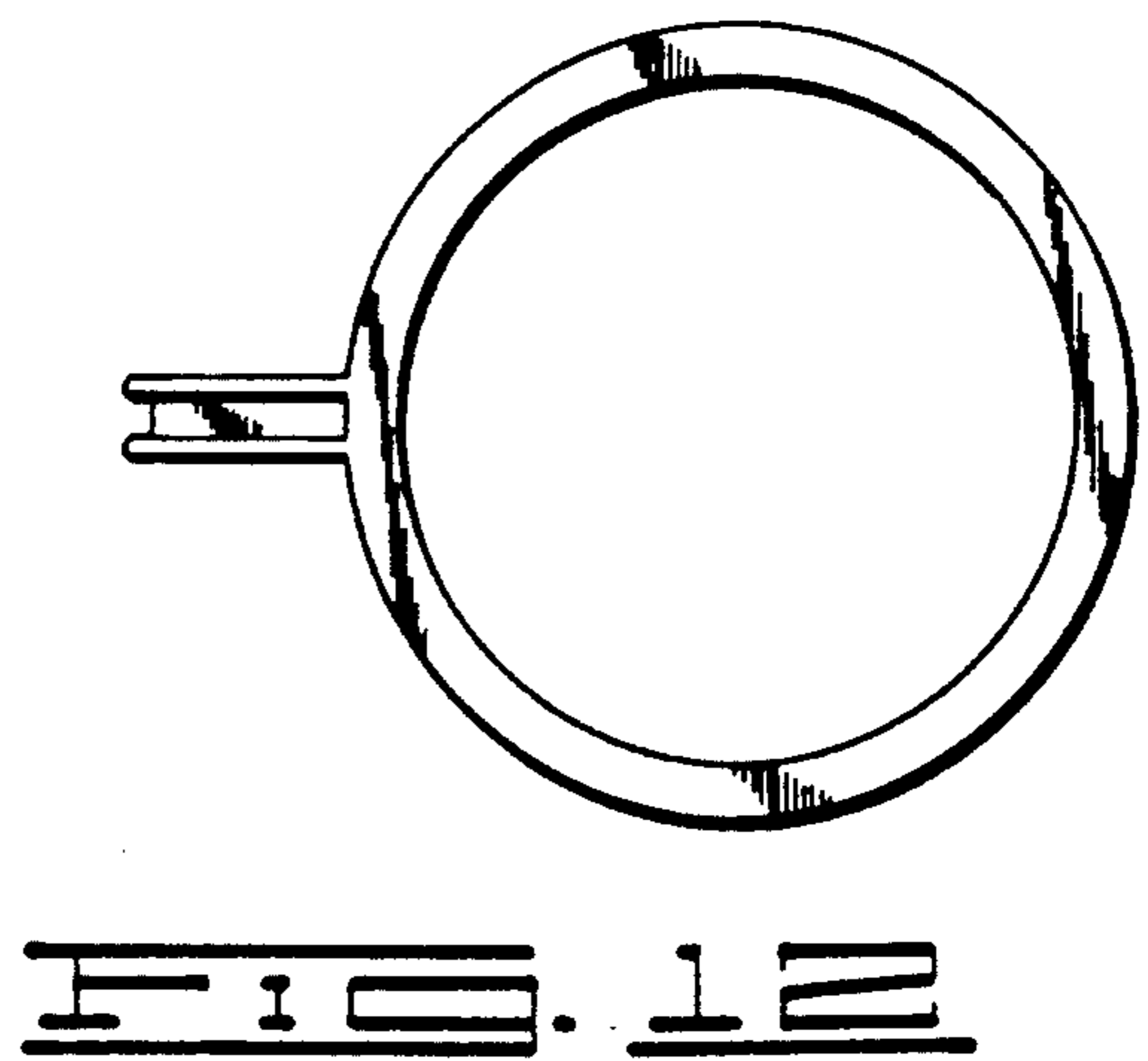
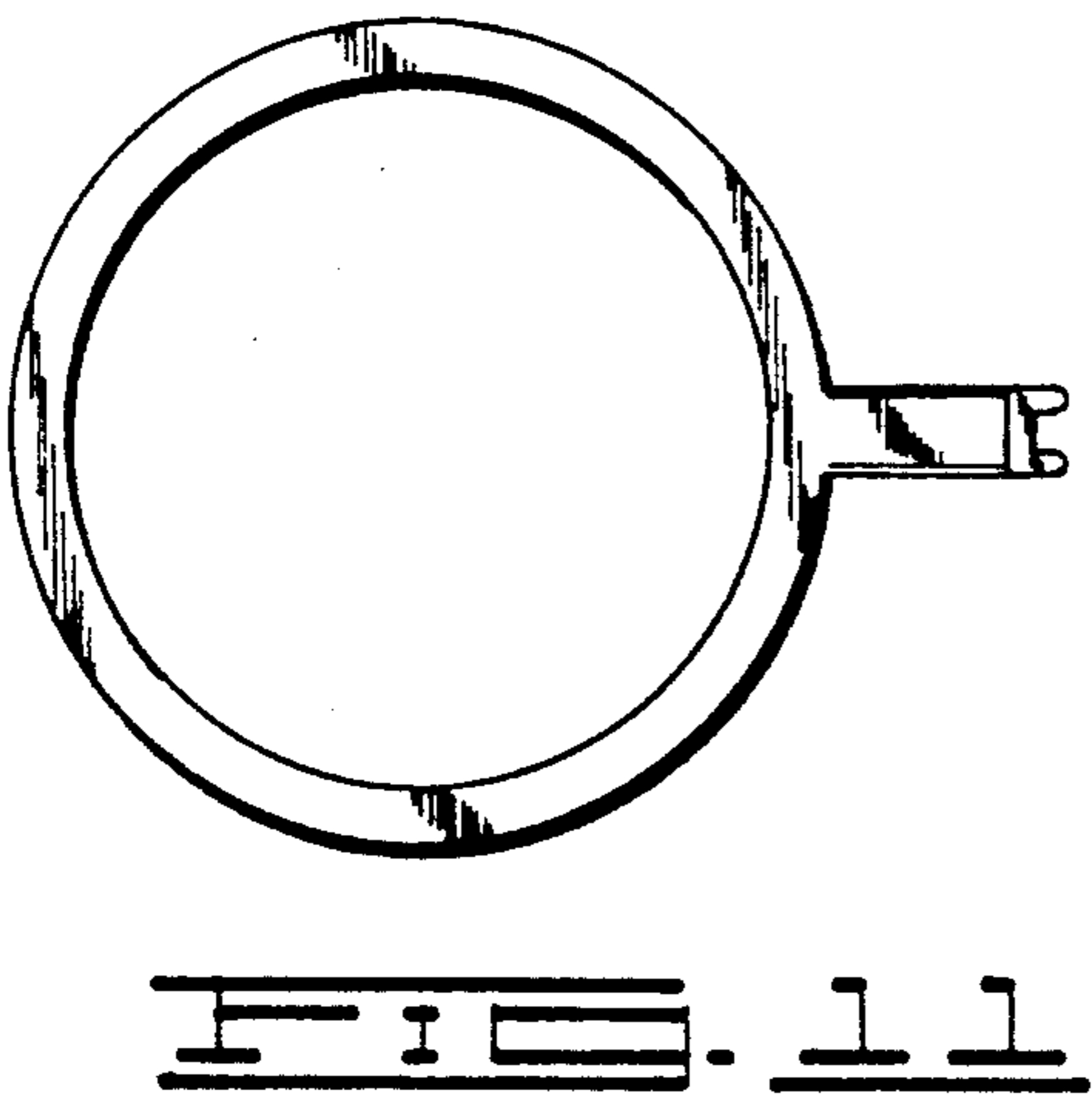
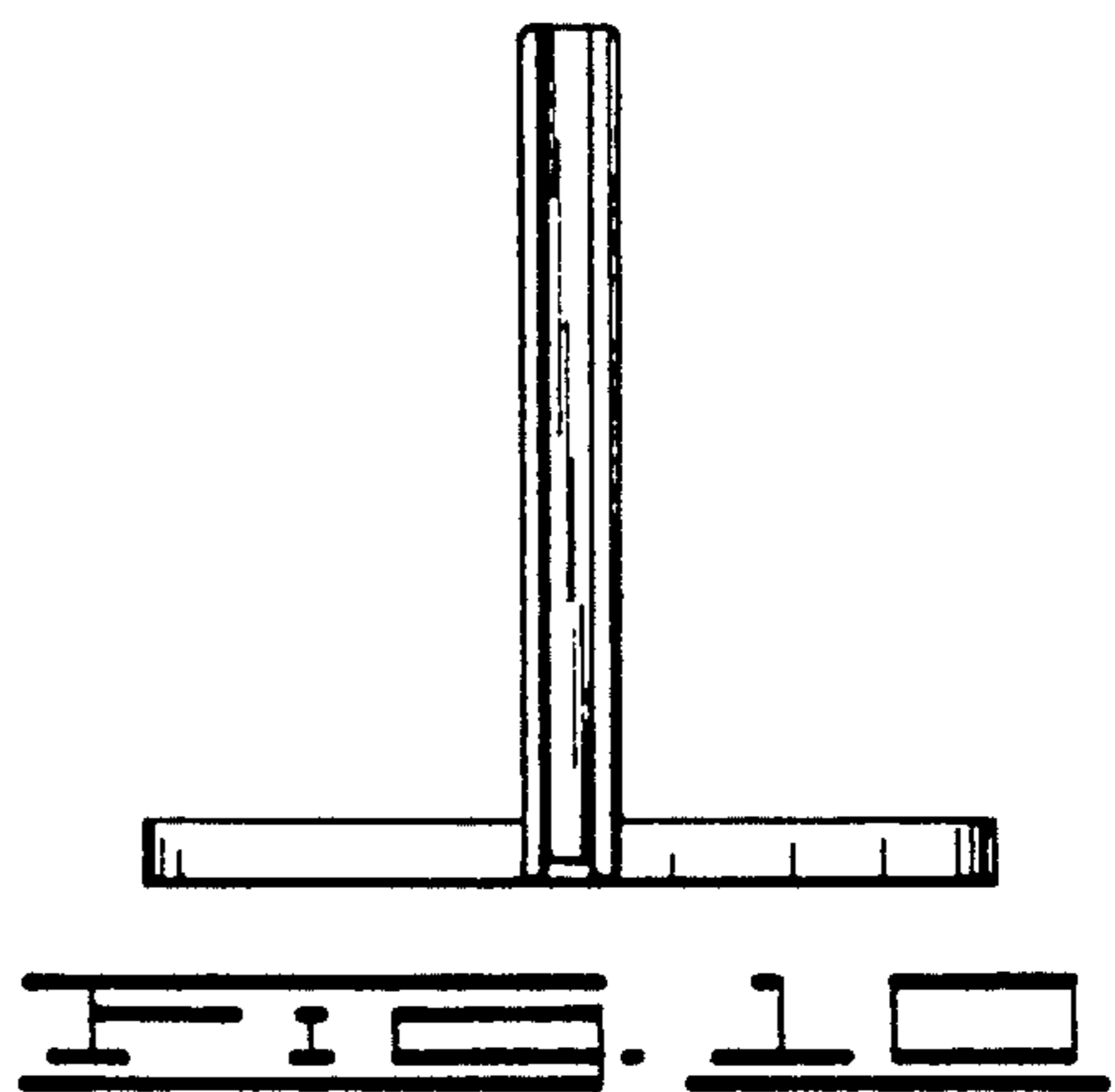
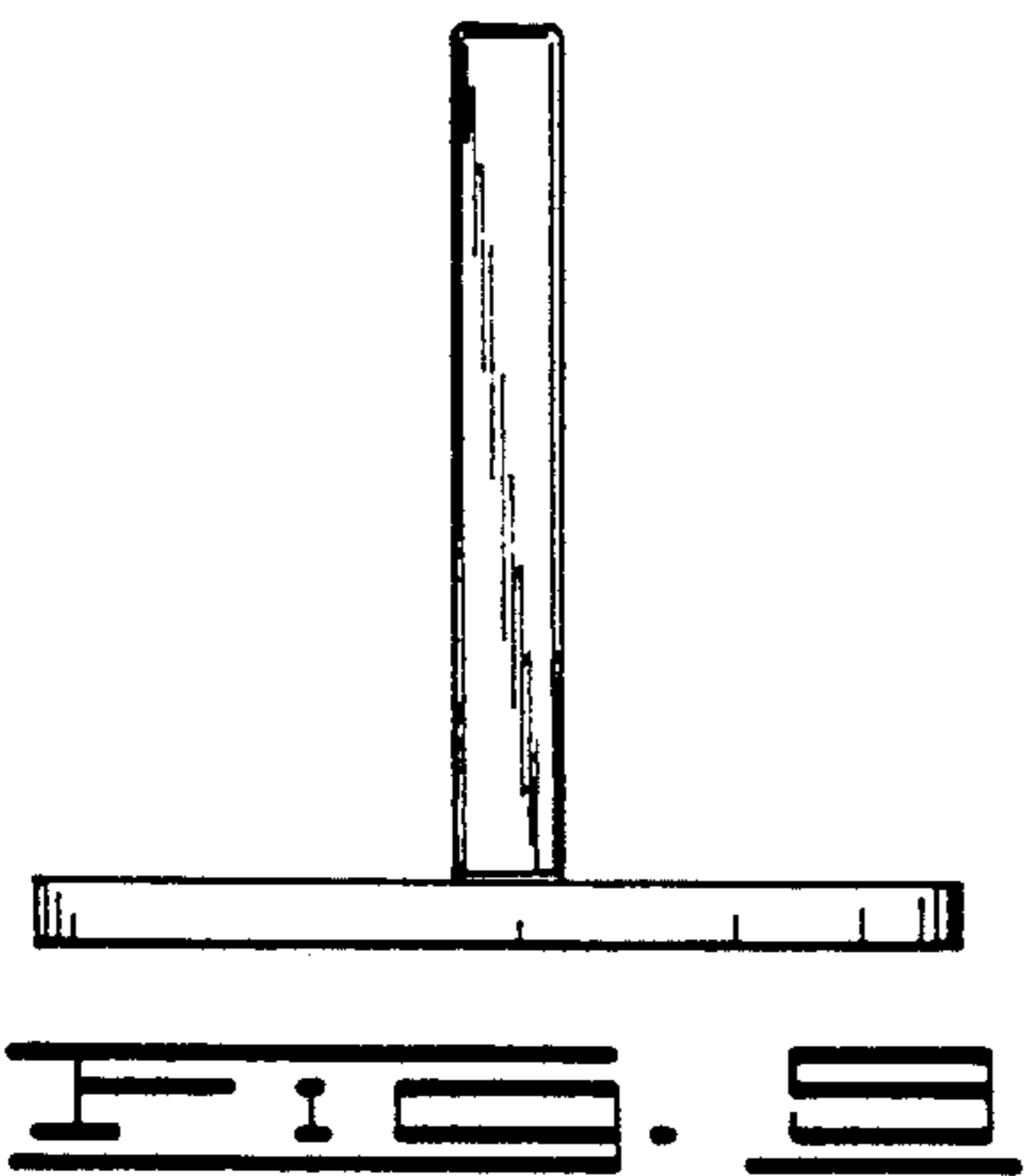
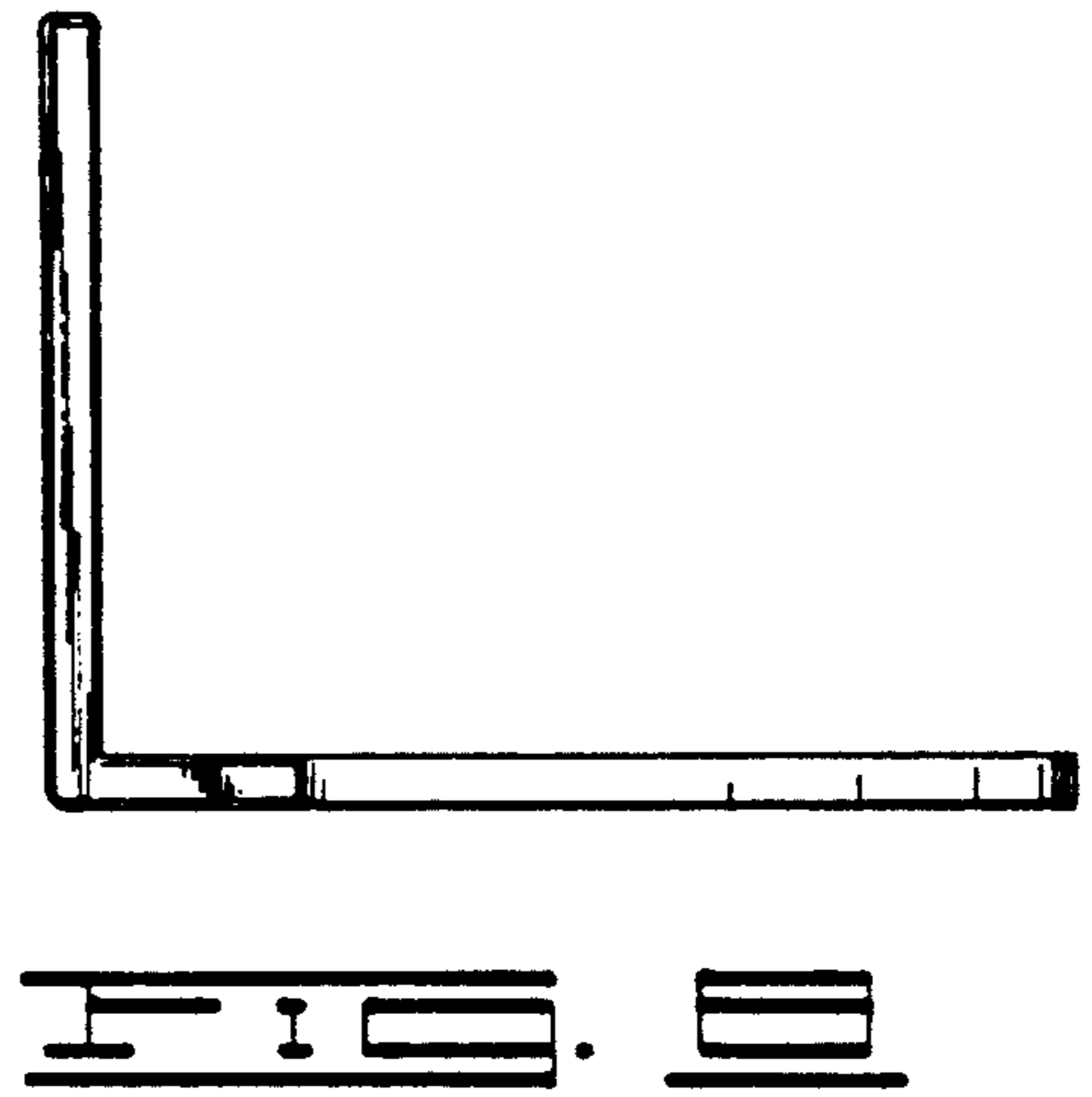
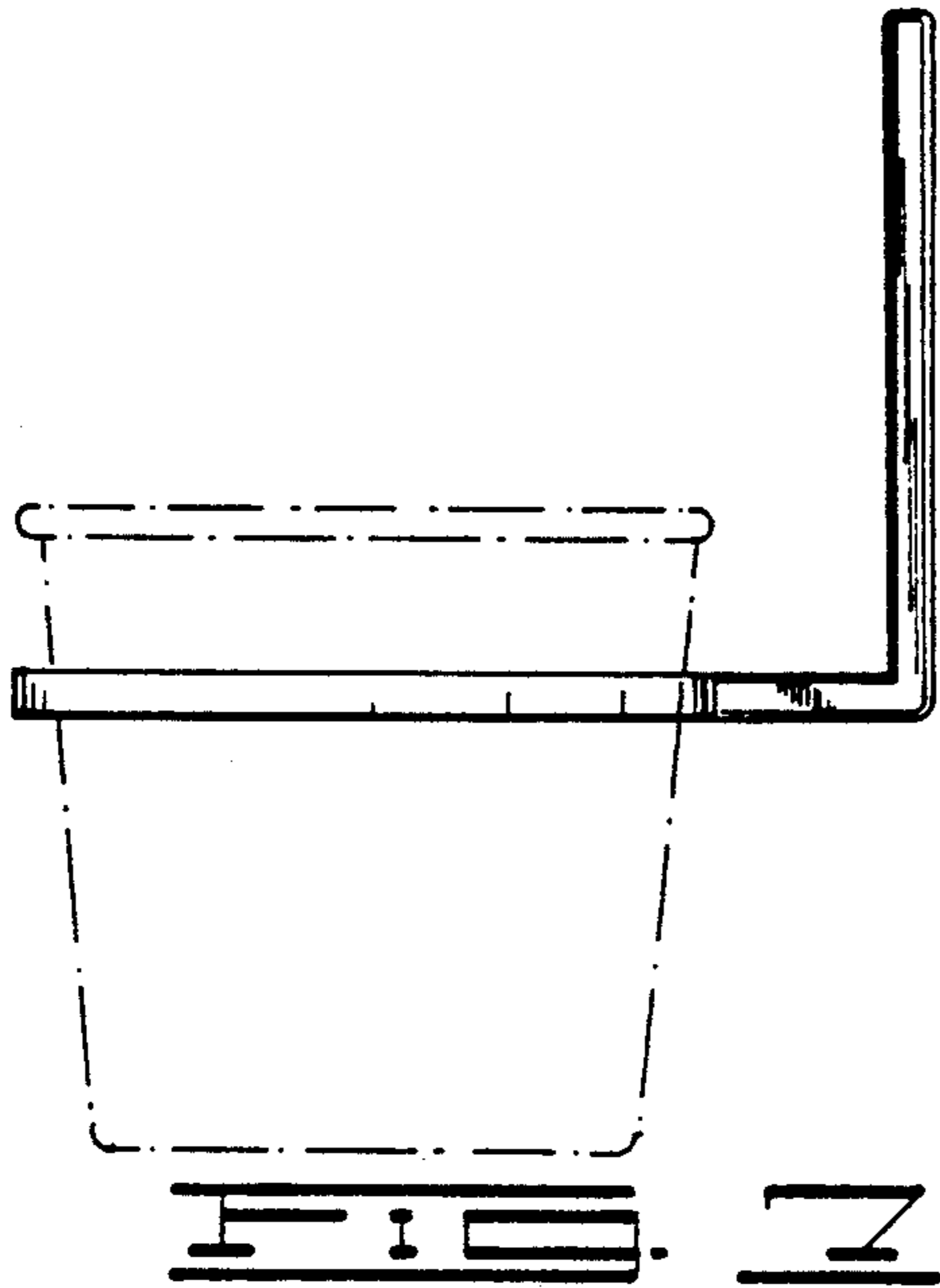


FIG. 6



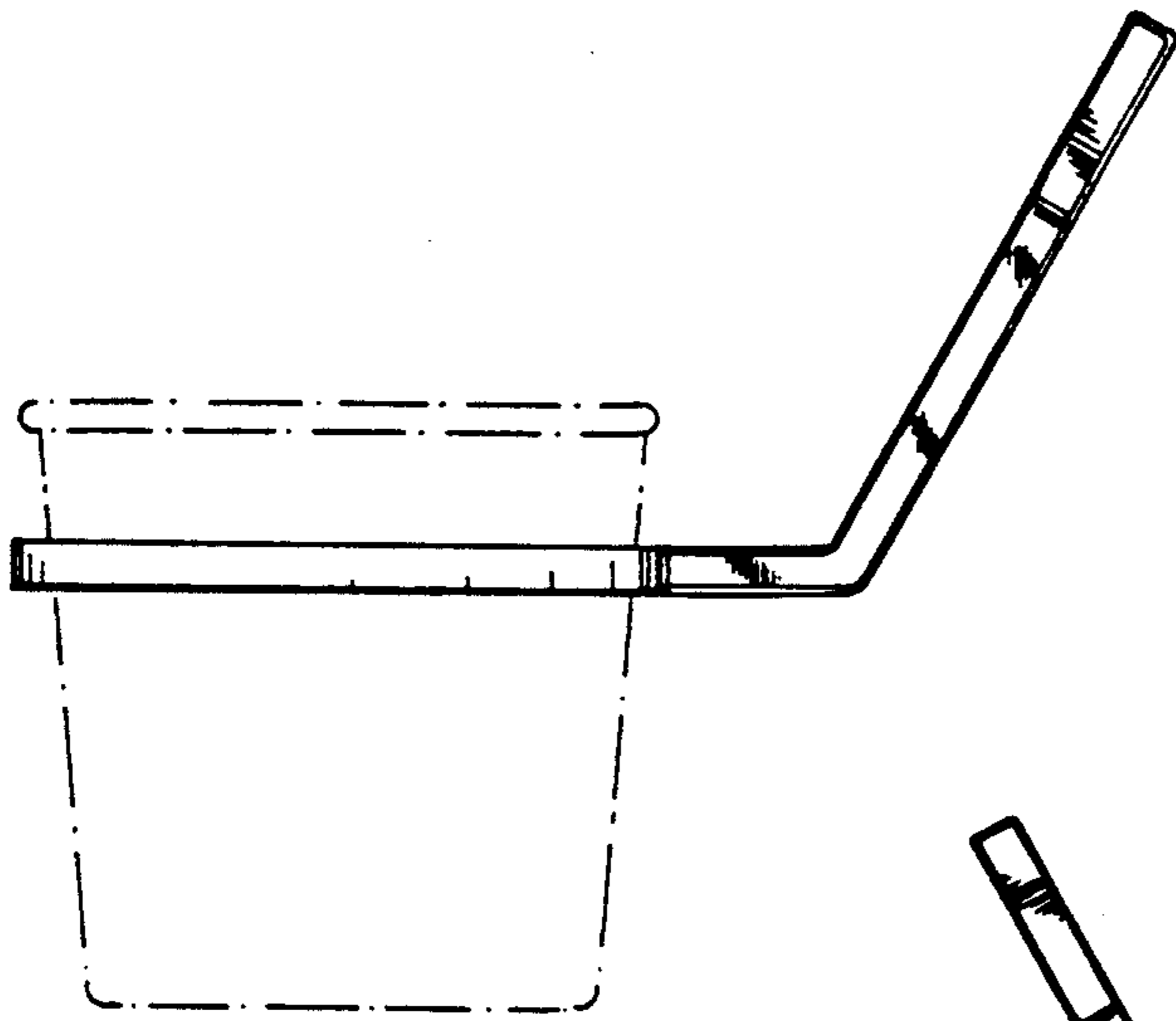


FIG. 13

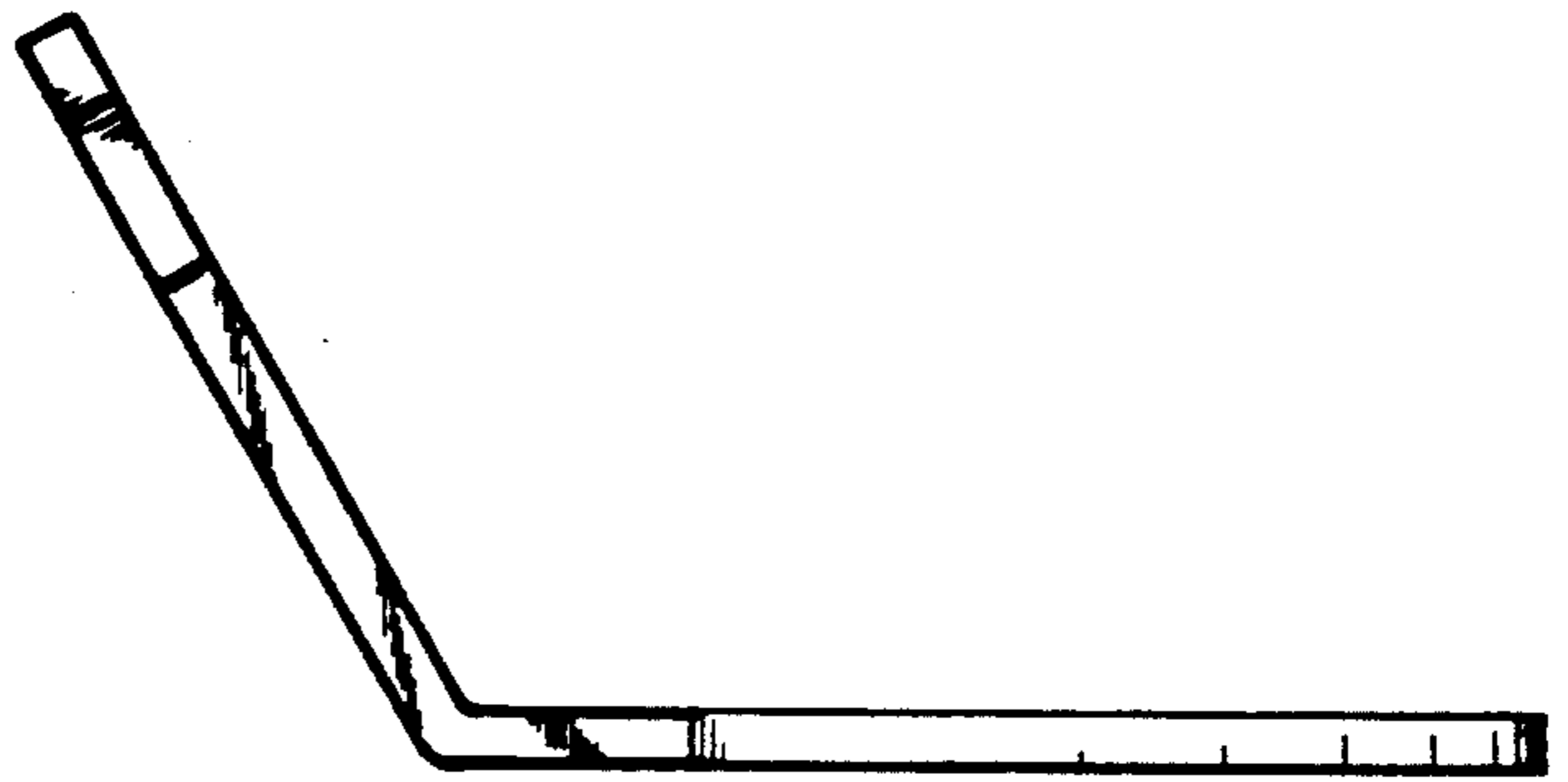


FIG. 14

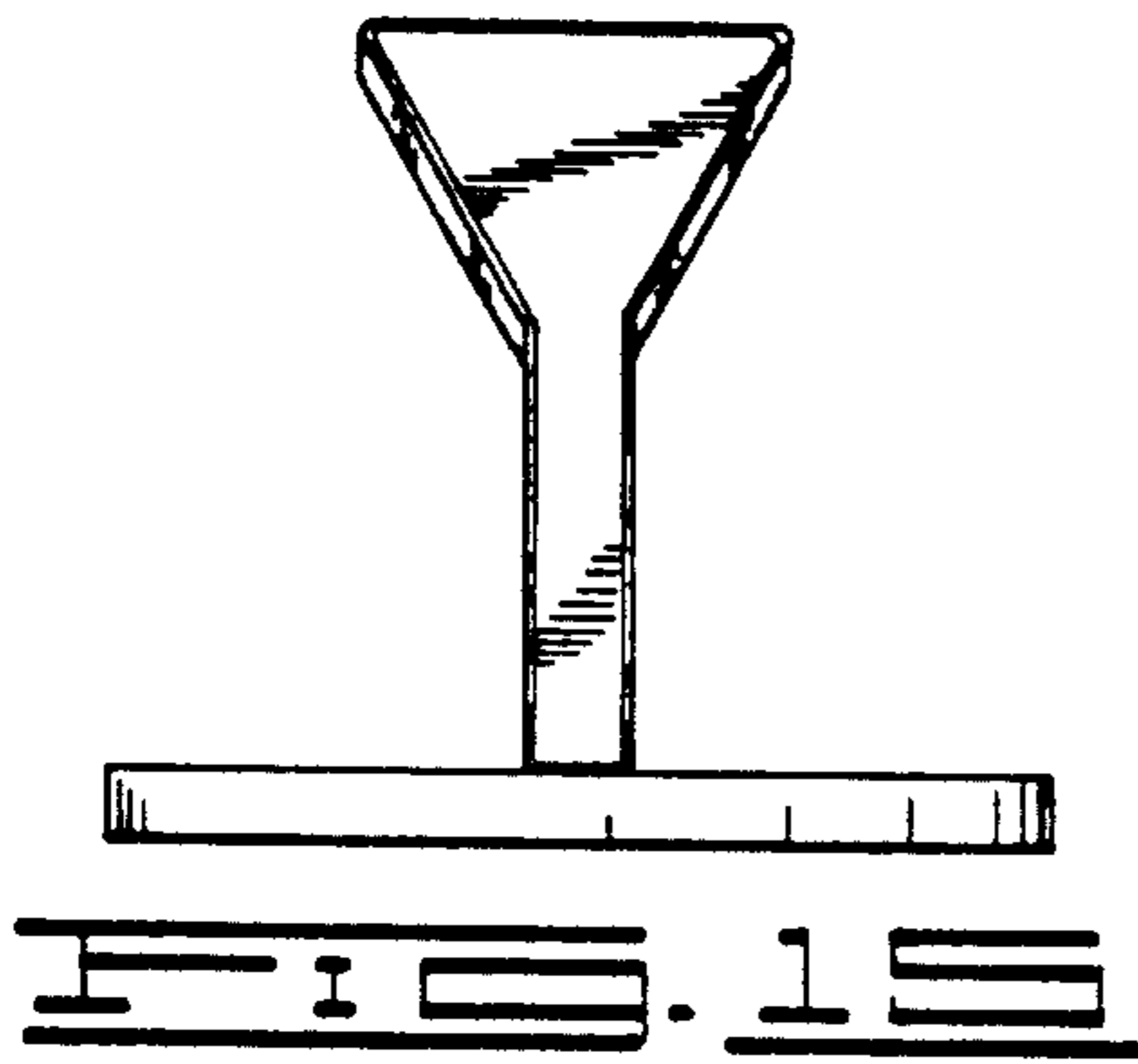


FIG. 15

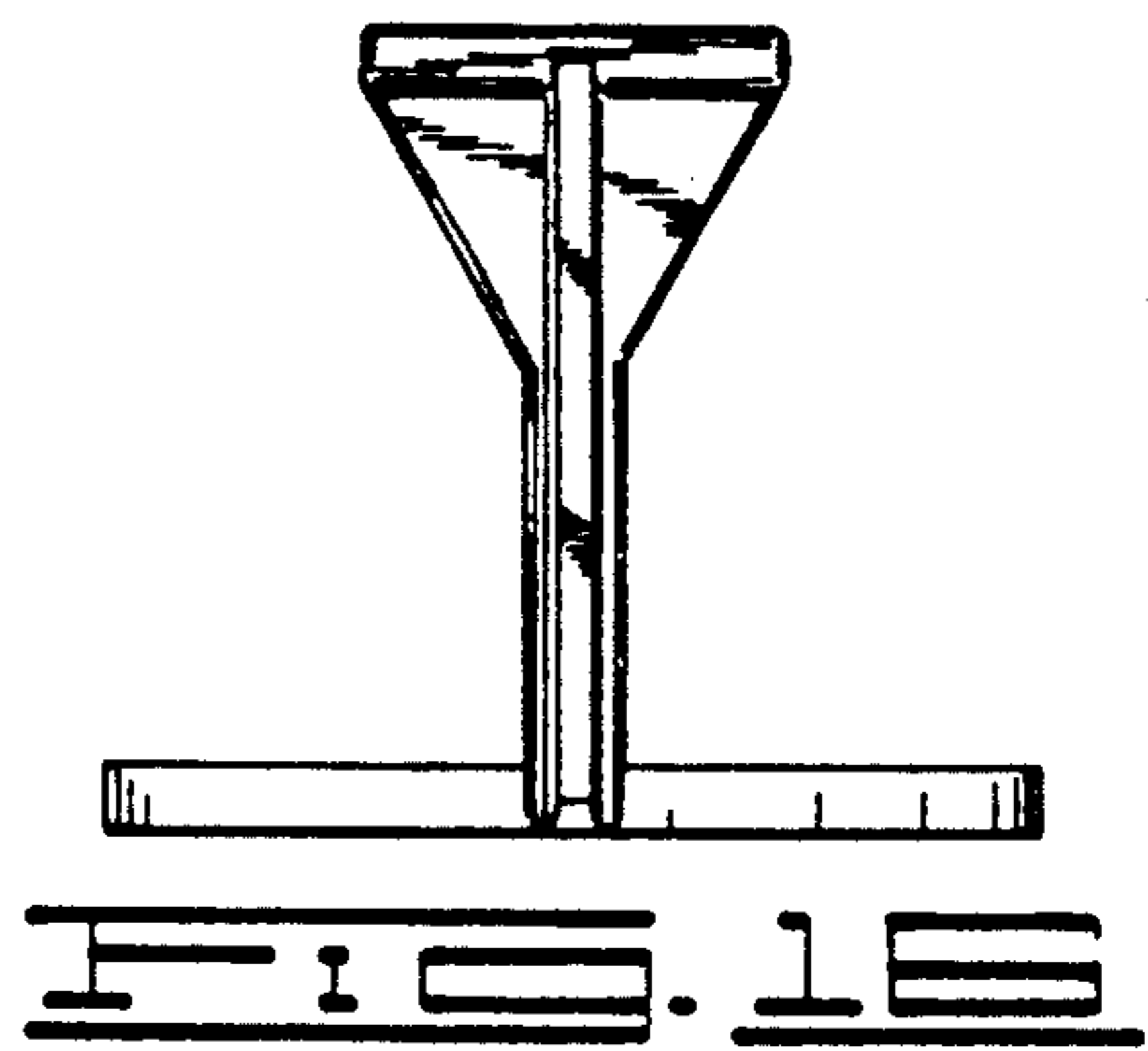


FIG. 16

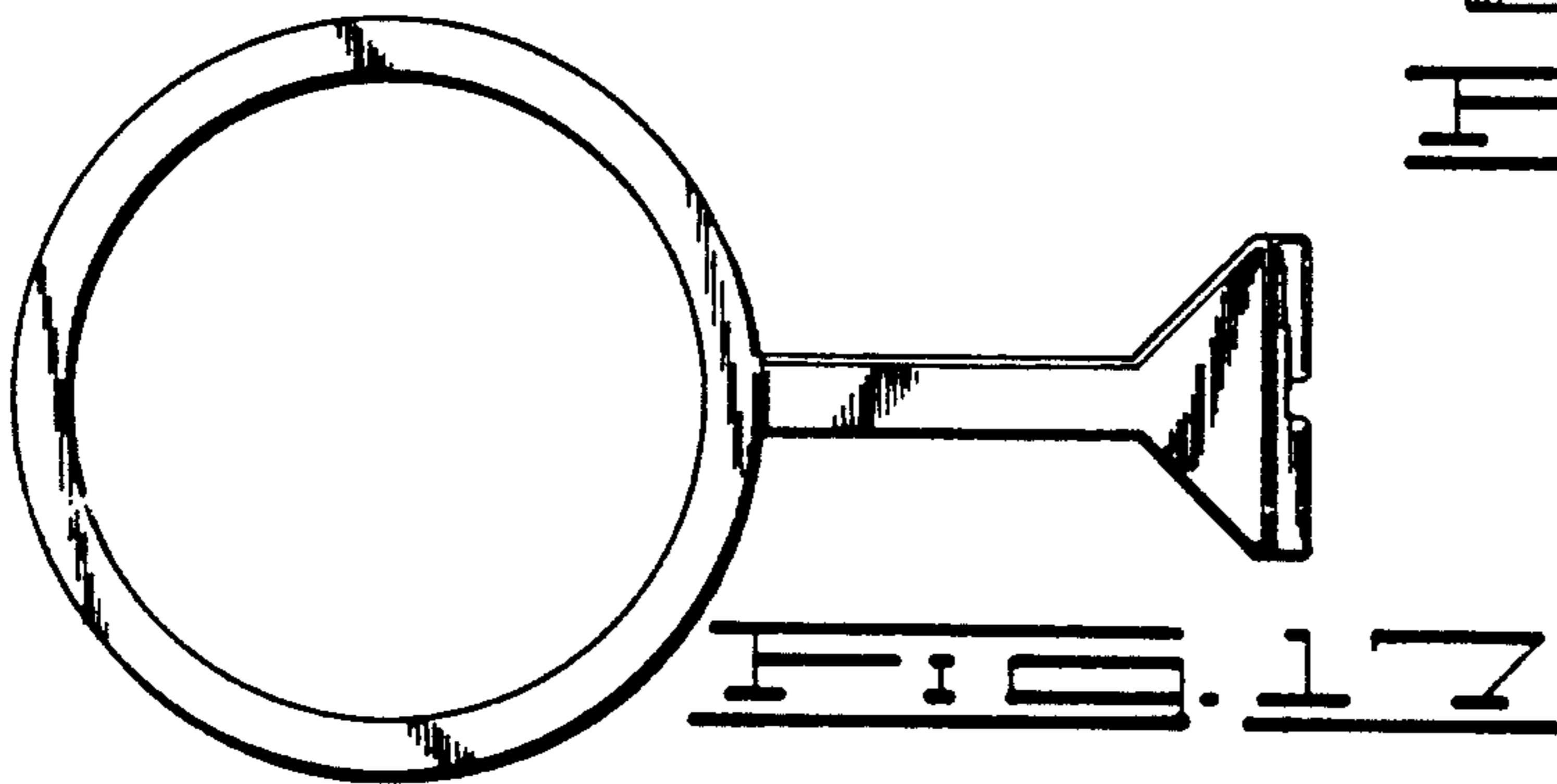


FIG. 17

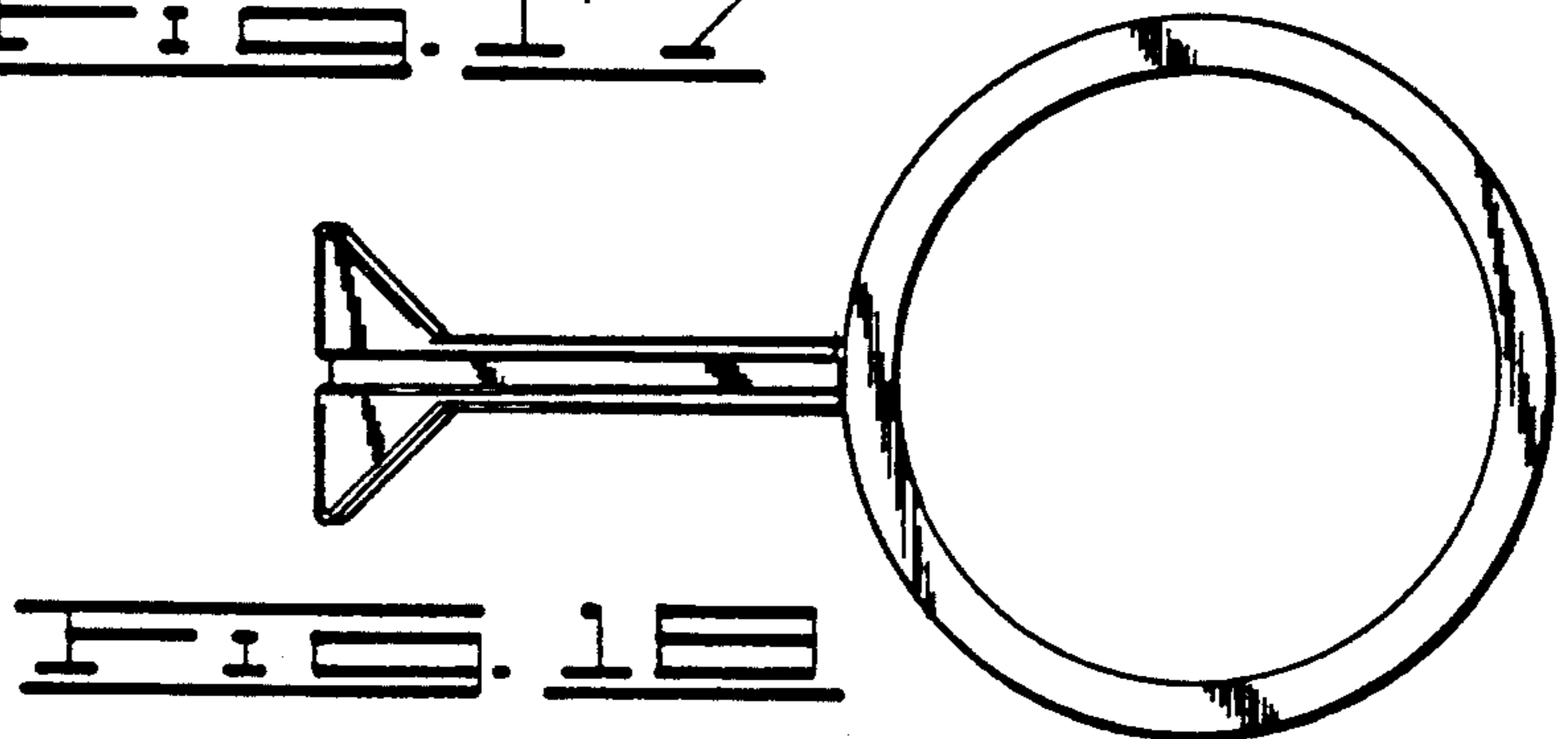


FIG. 18

