



US00D341880S

# United States Patent [19]

[11] Patent Number: **Des. 341,880**

Ames et al.

[45] Date of Patent: **\*\* Nov. 30, 1993**

[54] **OUTDOOR SECTION FOR A SPLIT SYSTEM AIR CONDITIONING UNIT**

4,733,543 3/1988 Blair ..... 62/263  
4,736,598 4/1988 Sameshima et al. .... 62/259.1

[76] Inventors: **David Ames; Stephen Bartlett; Darrell D. Beitel; Carl Bergt; Alain R. Parmentier**, all of c/o The Trane Company, La Crosse, Wis. 54601

### OTHER PUBLICATIONS

Trane, "Split System Air Conditioners", A 70 CA 003 U.  
Trane, "Trane World of Mini-Split Systems for Today and Tomorrow", 1989.  
Trane, "Residential, Commercial Split Systems 1 to 5 Ton", 1991.

[\*\*] Term: **14 Years**

*Primary Examiner*—Wallace R. Burke  
*Assistant Examiner*—Lisa Lichtenstein

[21] Appl. No.: **744,211**

[22] Filed: **Aug. 12, 1991**

[52] U.S. Cl. .... **D23/353**

[58] Field of Search ..... **D23/351, 354, 353, 328; 62/262**

### [57] CLAIM

The ornamental design for an outdoor section for a split system air conditioning unit, as shown.

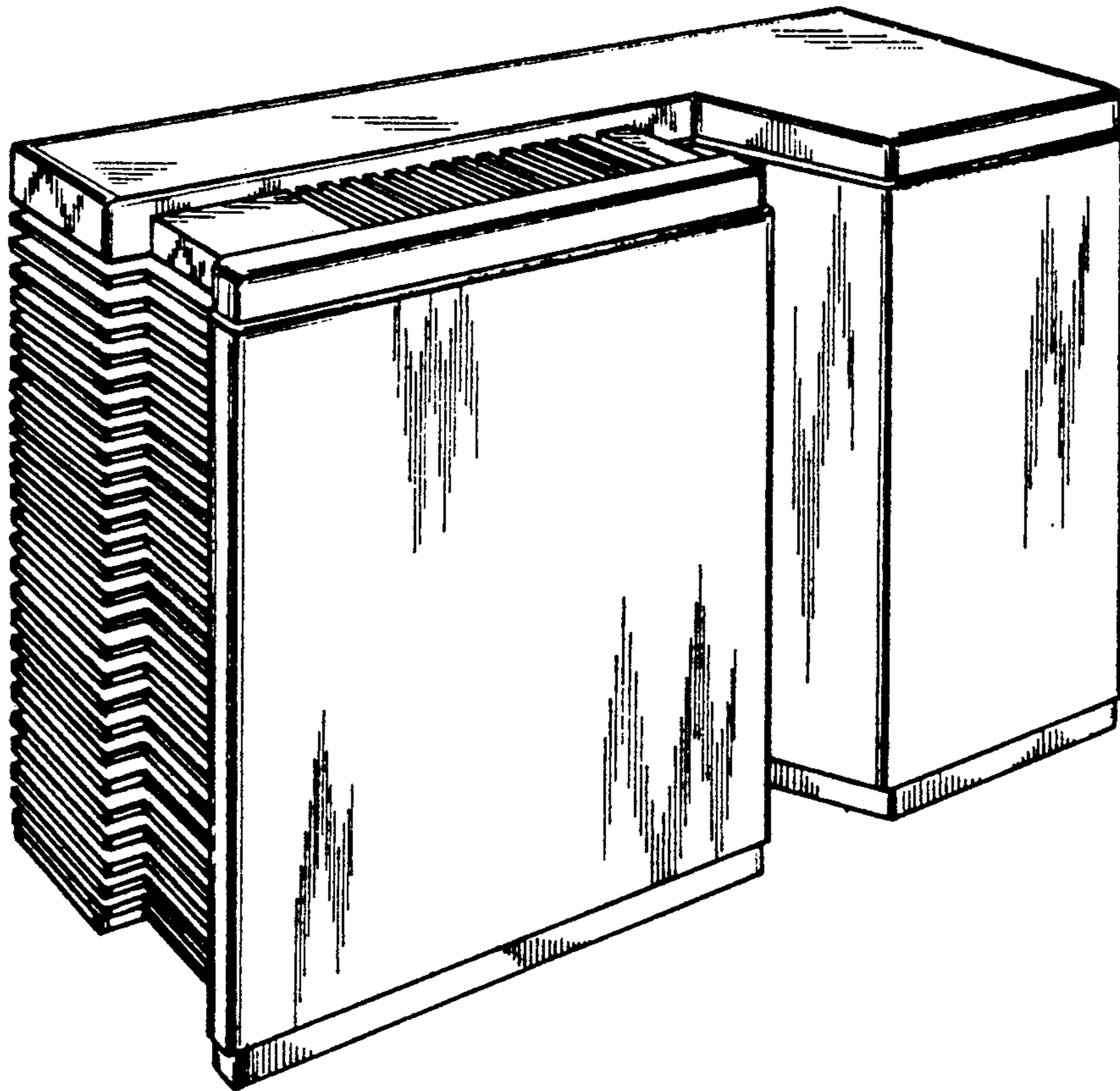
### [56] References Cited

#### U.S. PATENT DOCUMENTS

D. 162,297	3/1951	Guild	.....	D23/351
D. 305,456	1/1990	Moritani	.....	D23/353
2,610,483	9/1952	Deering	.....	62/262
2,722,810	11/1955	Maniscalco, Sr.	.....	62/262
3,392,546	7/1968	Reed	.....	62/262
3,611,743	10/1971	Manganaro	.....	62/262
3,665,727	5/1972	Mather	.....	62/262
4,554,796	11/1985	Stankard	.....	62/326
4,723,419	2/1988	Kessler et al.	.....	62/507
4,733,542	3/1988	Blair	.....	62/263

### DESCRIPTION

FIG. 1 is a front, top and left side perspective view of an outdoor section for a split system air conditioning unit, showing our new design;  
FIG. 2 is a top plan view thereof;  
FIG. 3 is a front elevational view thereof;  
FIG. 4 is a left side elevational view thereof;  
FIG. 5 is a right side elevational view thereof;  
FIG. 6 is a front, top and right side perspective view thereof; and,  
FIG. 7 is a rear elevational view thereof.



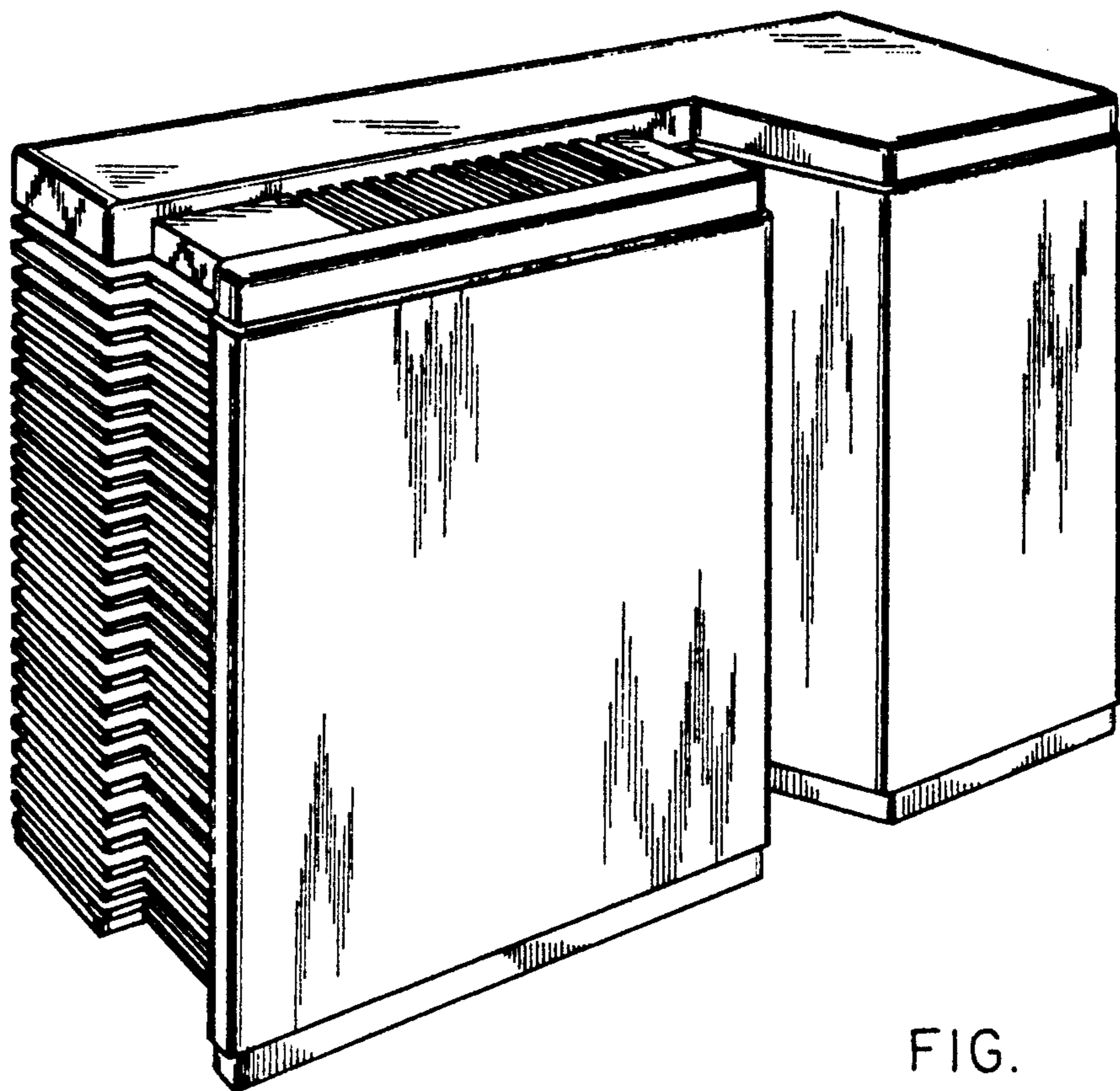


FIG. 1

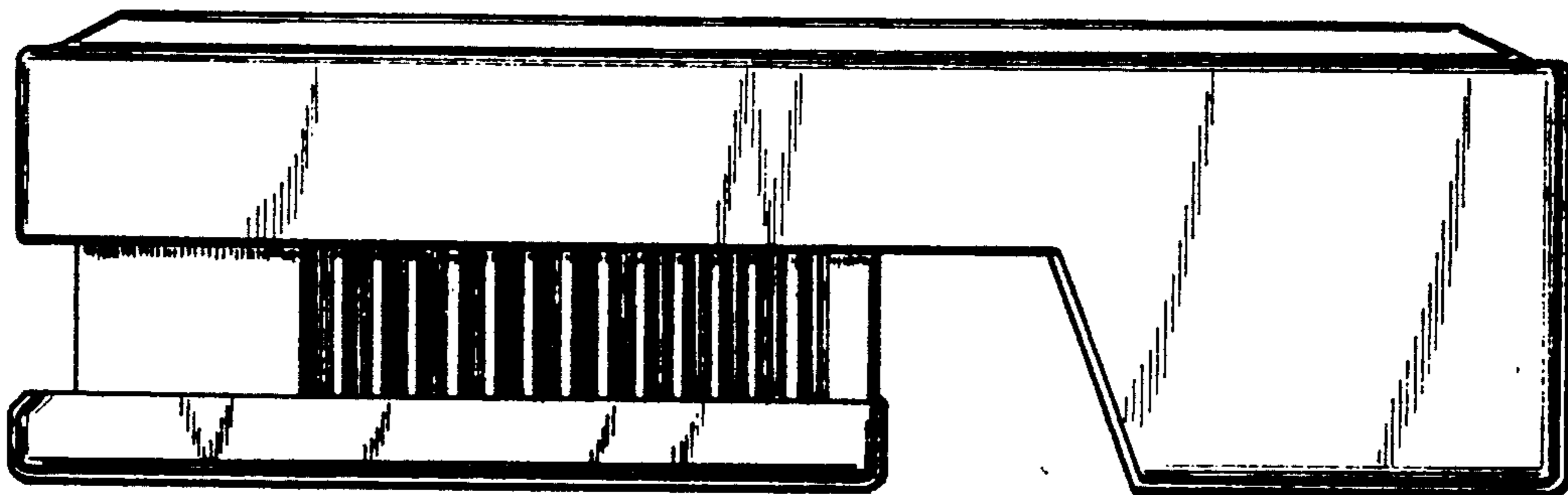


FIG. 2

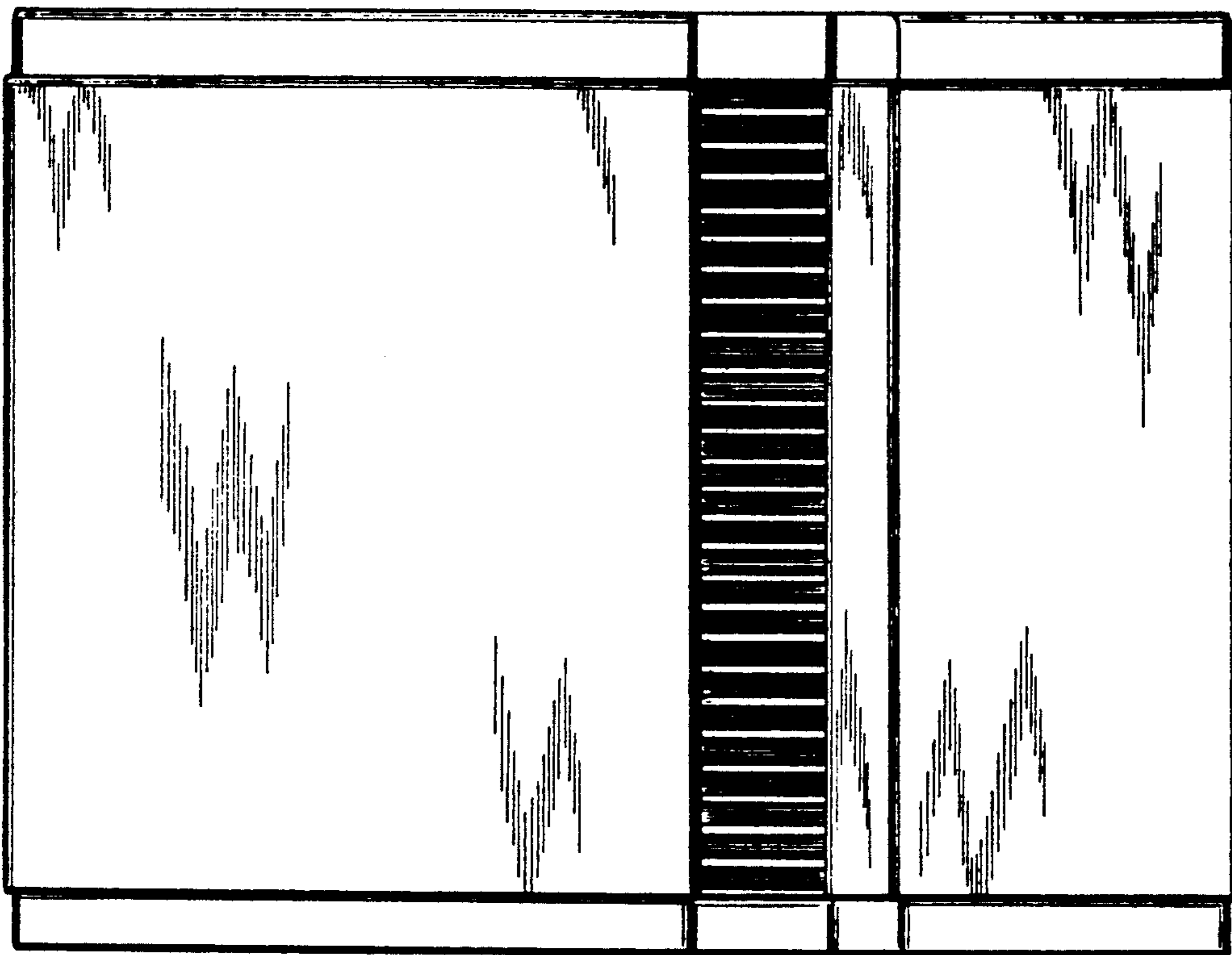


FIG. 3

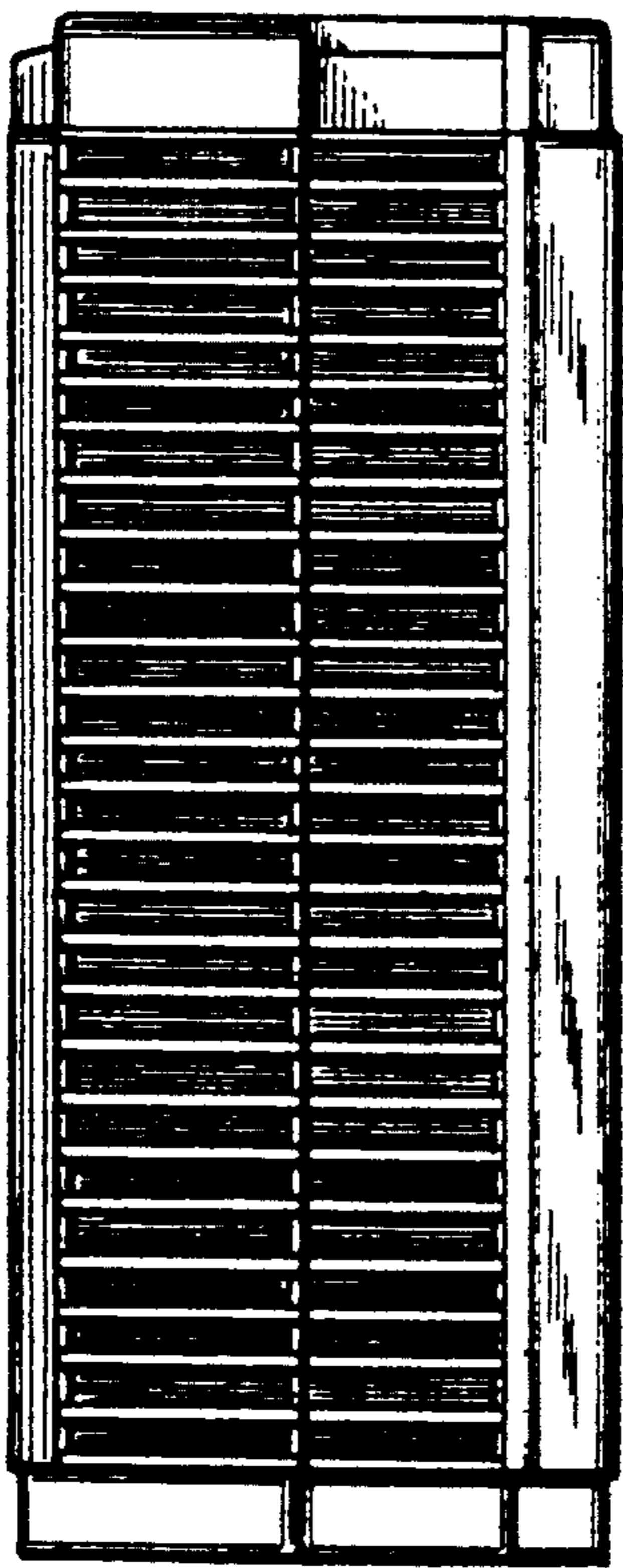


FIG. 4

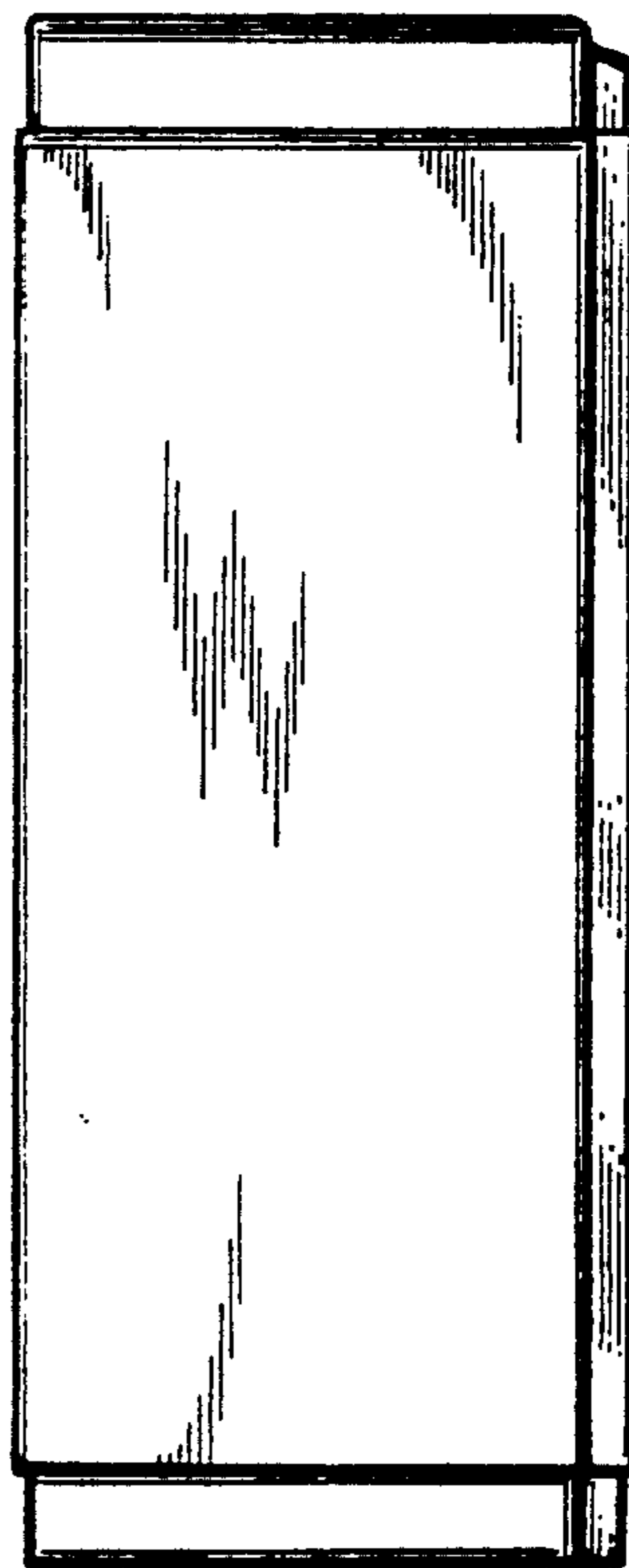


FIG. 5



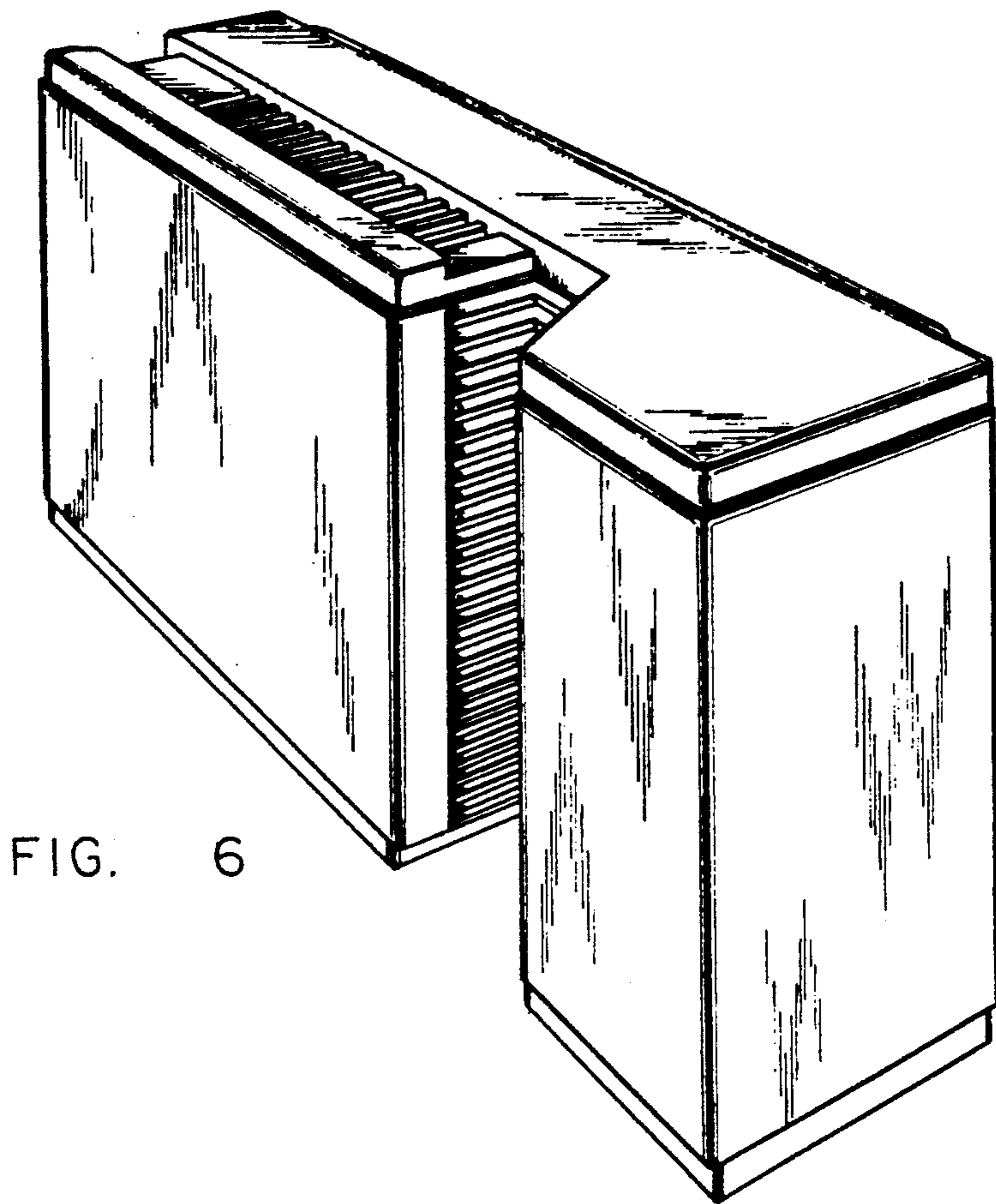


FIG. 6

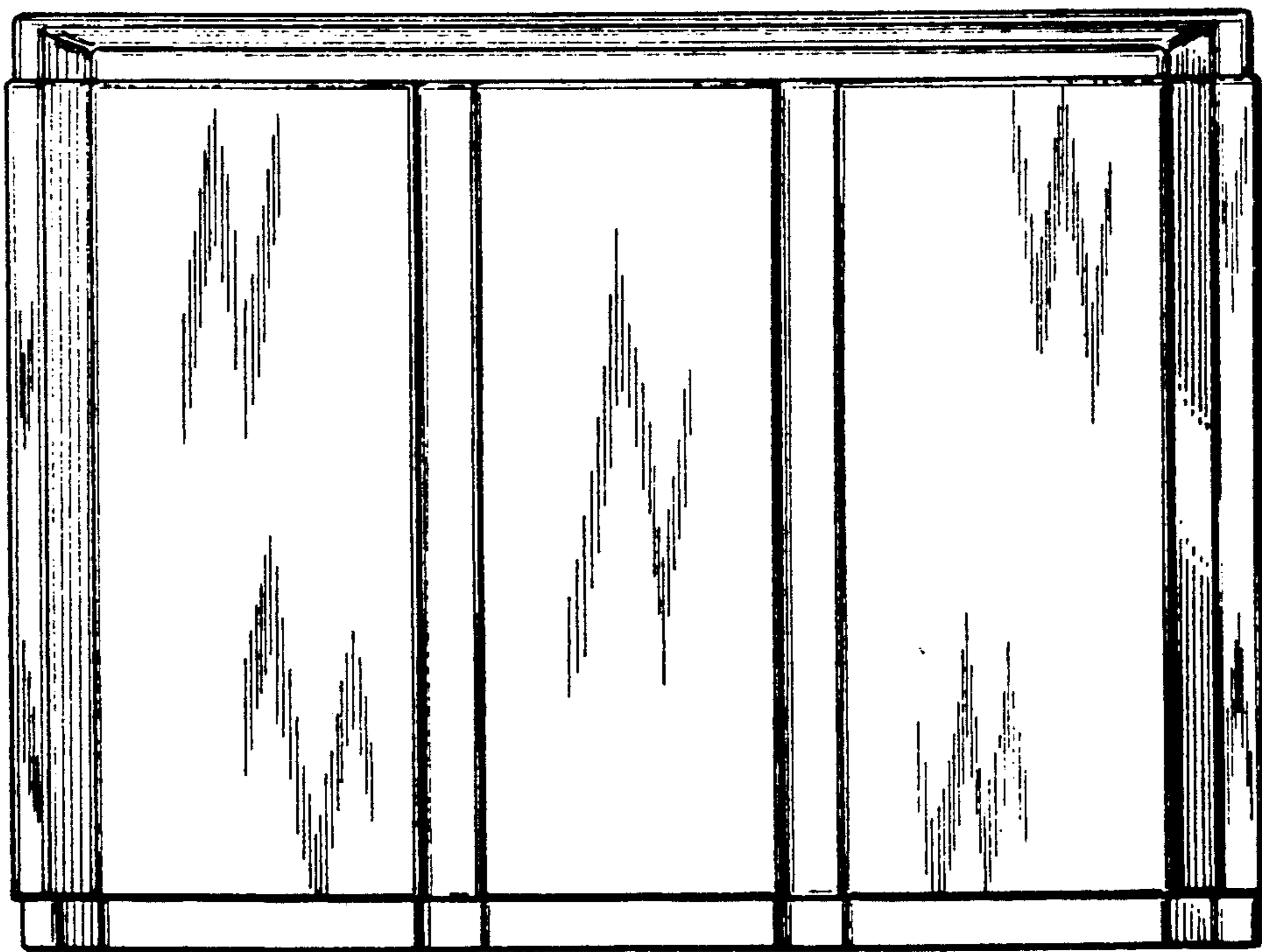


FIG. 7