



US00D341872S

United States Patent [19] Anderson

[11] Patent Number: **Des. 341,872**

[45] Date of Patent: **** Nov. 30, 1993**

[54] **PAINT SPRAY GUN**

[75] Inventor: **Richard P. Anderson**, Bloomington, Minn.

[73] Assignee: **Wagner Spray Tech Corporation**, Minneapolis, Minn.

[**] Term: **14 Years**

[21] Appl. No.: **910,481**

[22] Filed: **Jul. 14, 1992**

[52] U.S. Cl. **D23/225**

[58] Field of Search **D8/69; D23/213, 223-230; 239/152-154, 525-528, 308-310, 318, 302, 532, 554, 556**

[56] **References Cited**

U.S. PATENT DOCUMENTS

D. 284,988	8/1986	Powell	D23/223
D. 298,451	11/1988	Kille	D23/225
D. 326,896	6/1992	McNeely	D23/213
4,162,042	7/1979	Mommsen et al.	239/526
5,056,719	10/1991	Lauter et al.	239/526
5,176,327	1/1993	Peterson	239/525

OTHER PUBLICATIONS

Wagner High Performance Airless Sprayers, dated, Feb. 1992, FIGS. 2 and 3.

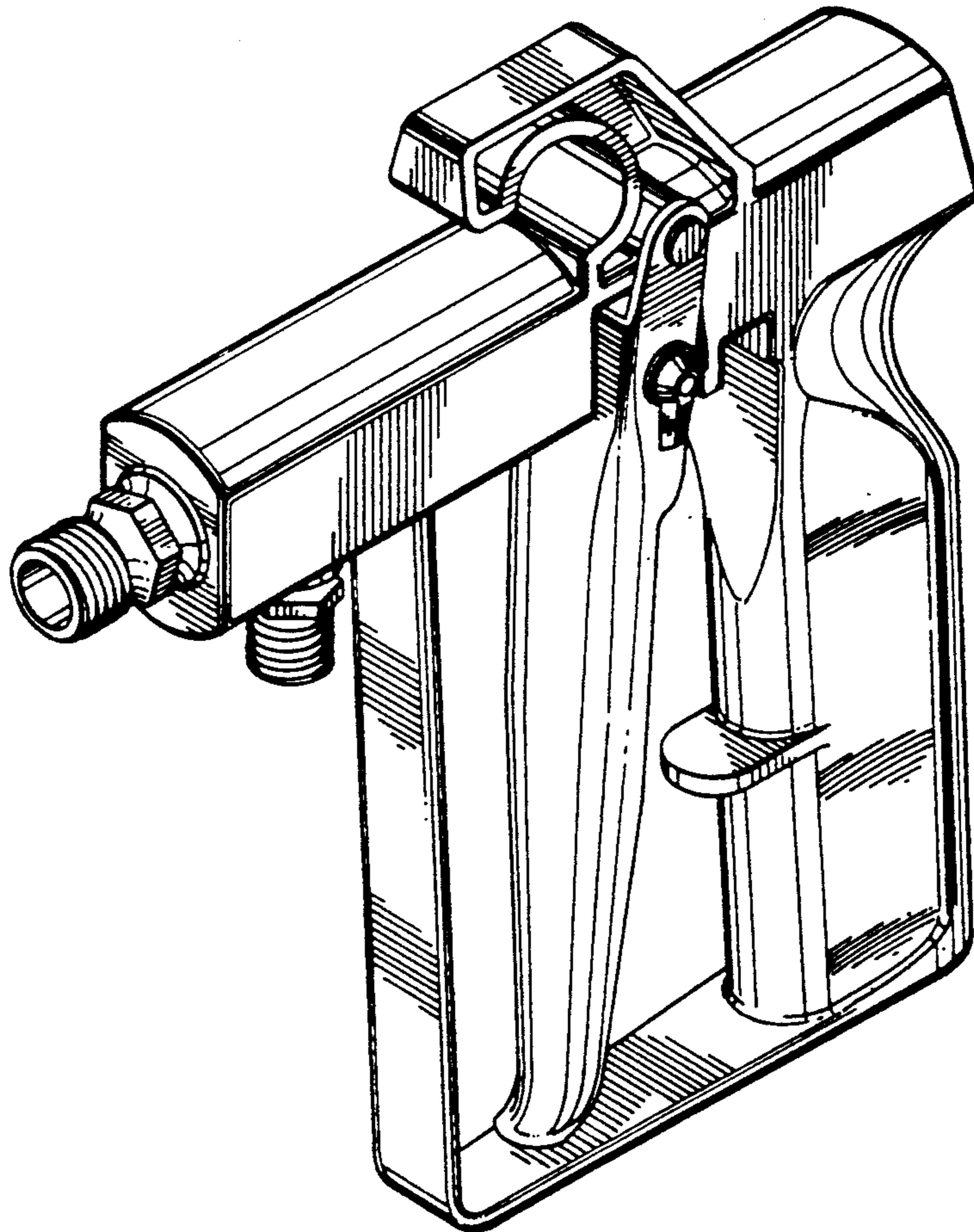
Primary Examiner—Nelson C. Holtje
Assistant Examiner—J. H. Musgrove
Attorney, Agent, or Firm—Faegre & Benson

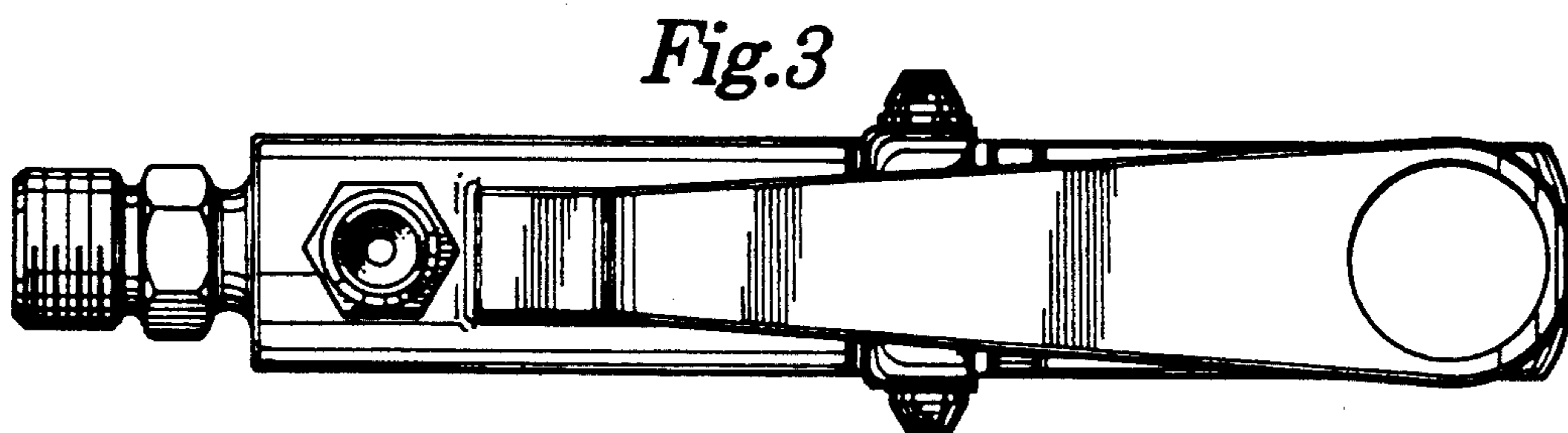
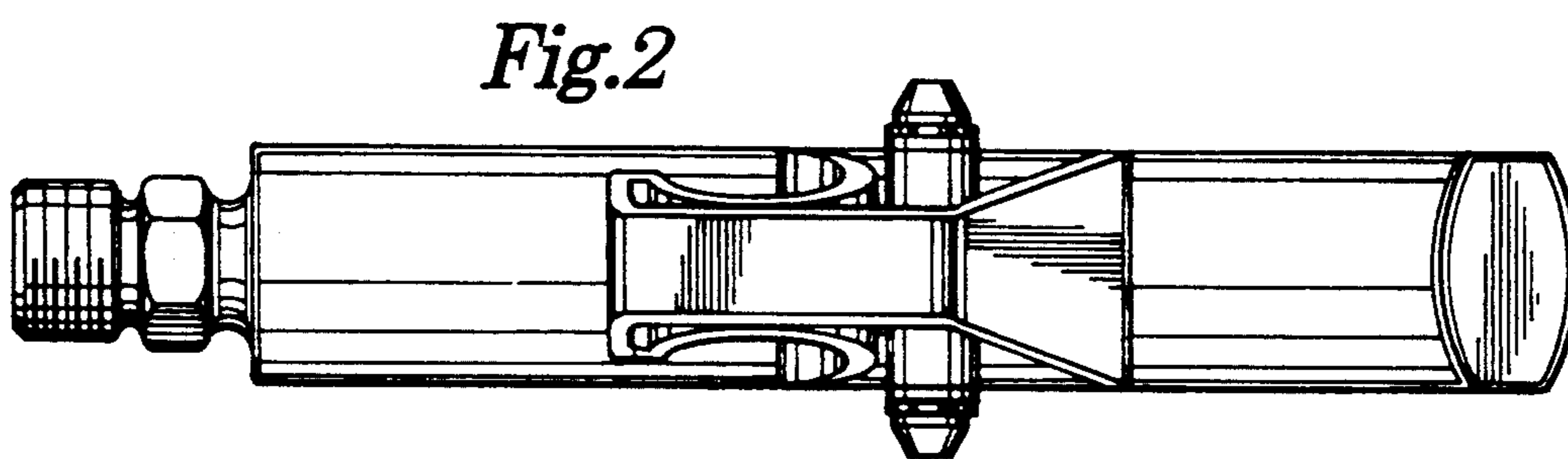
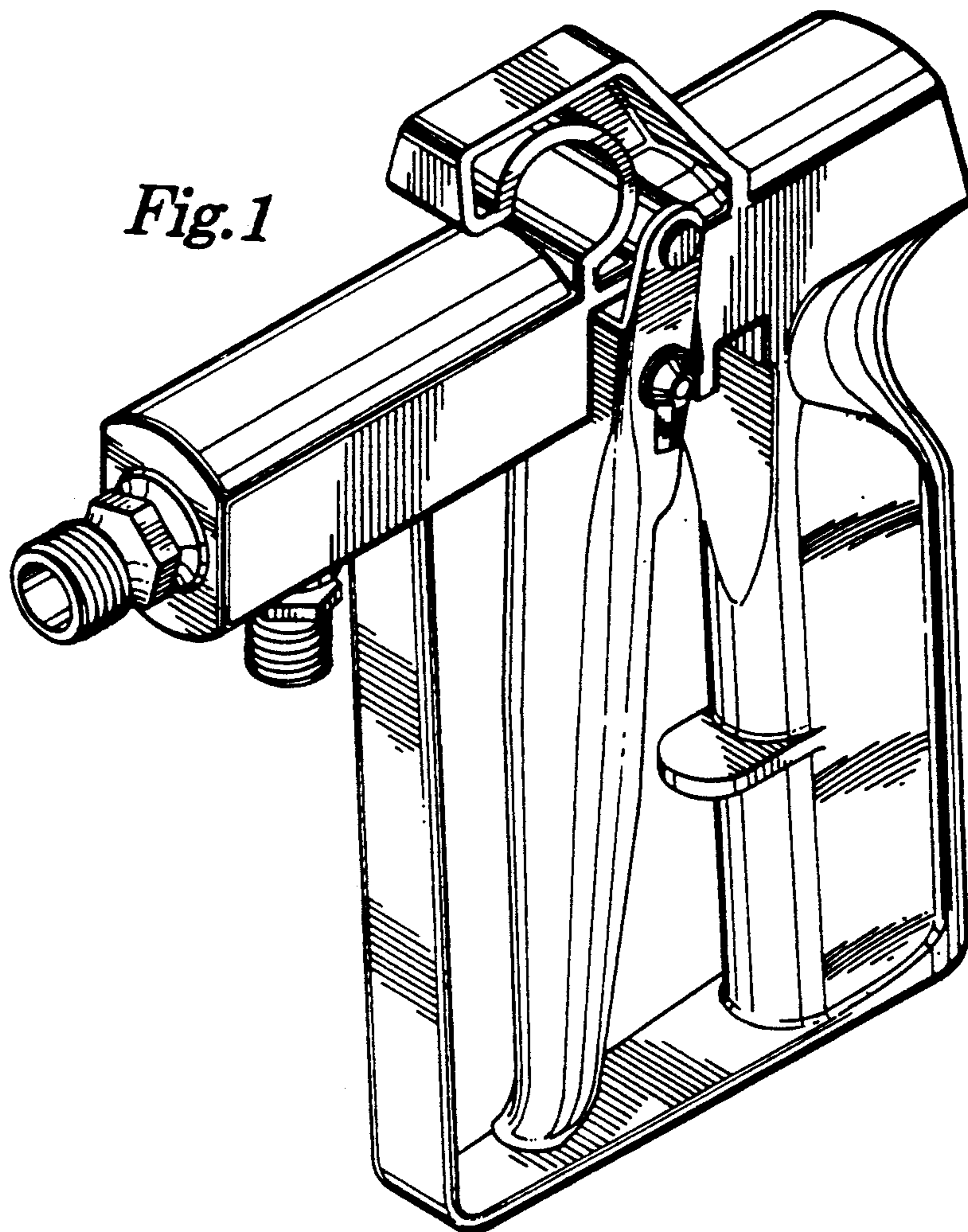
[57] **CLAIM**

The ornamental design for a paint spray gun, as shown and described.

DESCRIPTION

FIG. 1 is a perspective view of the paint spray gun of the present invention;
FIG. 2 is a top plan view of the paint spray gun of the present invention;
FIG. 3 is a bottom plan view of the paint spray gun of the present invention;
FIG. 4 is a left hand side elevation view of the paint spray gun of the present invention;
FIG. 5 is a front side elevation view of the paint spray gun of the present invention; and,
FIG. 6 is a rear elevation view of the paint spray gun of the present invention.





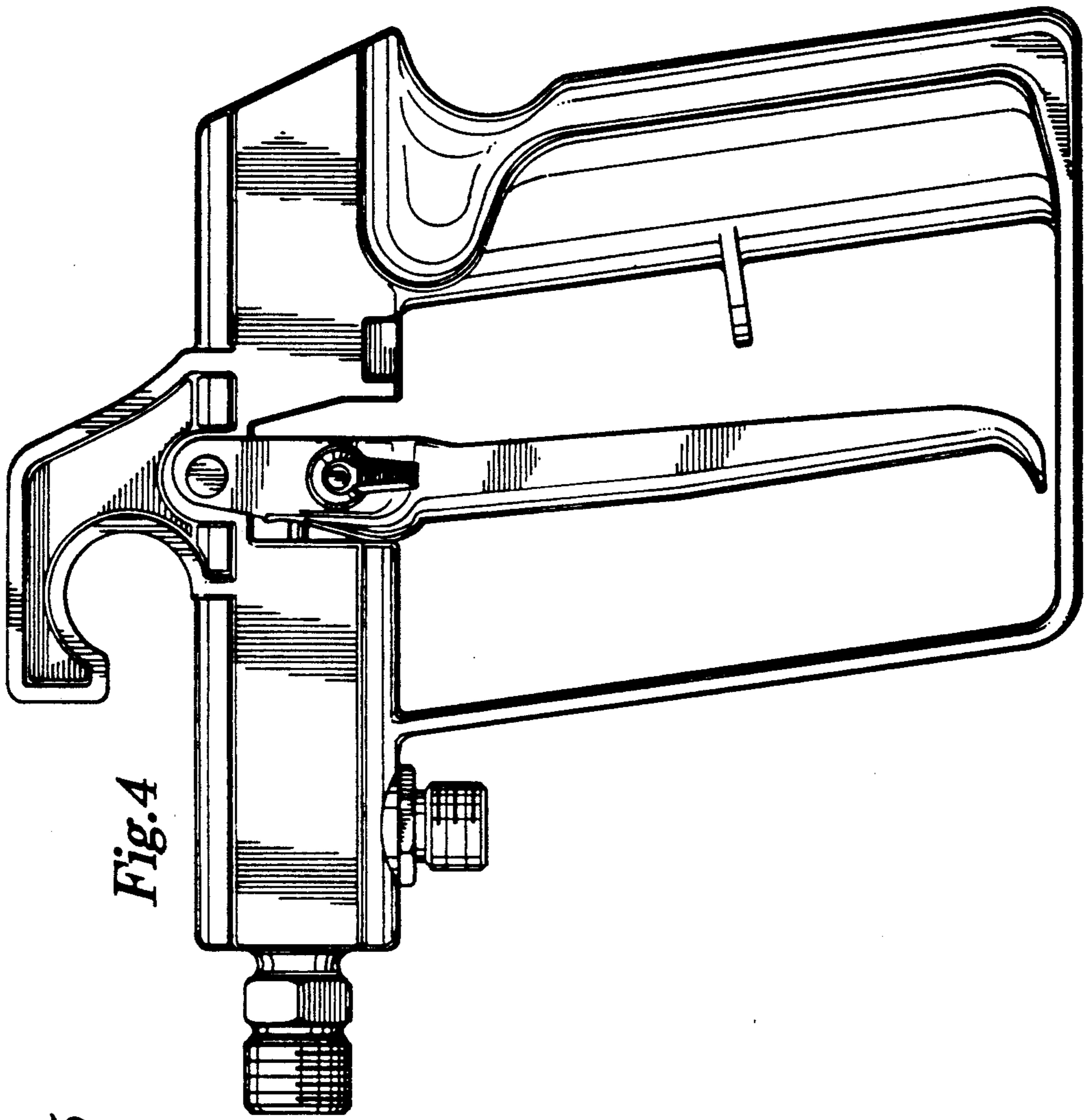


Fig. 4

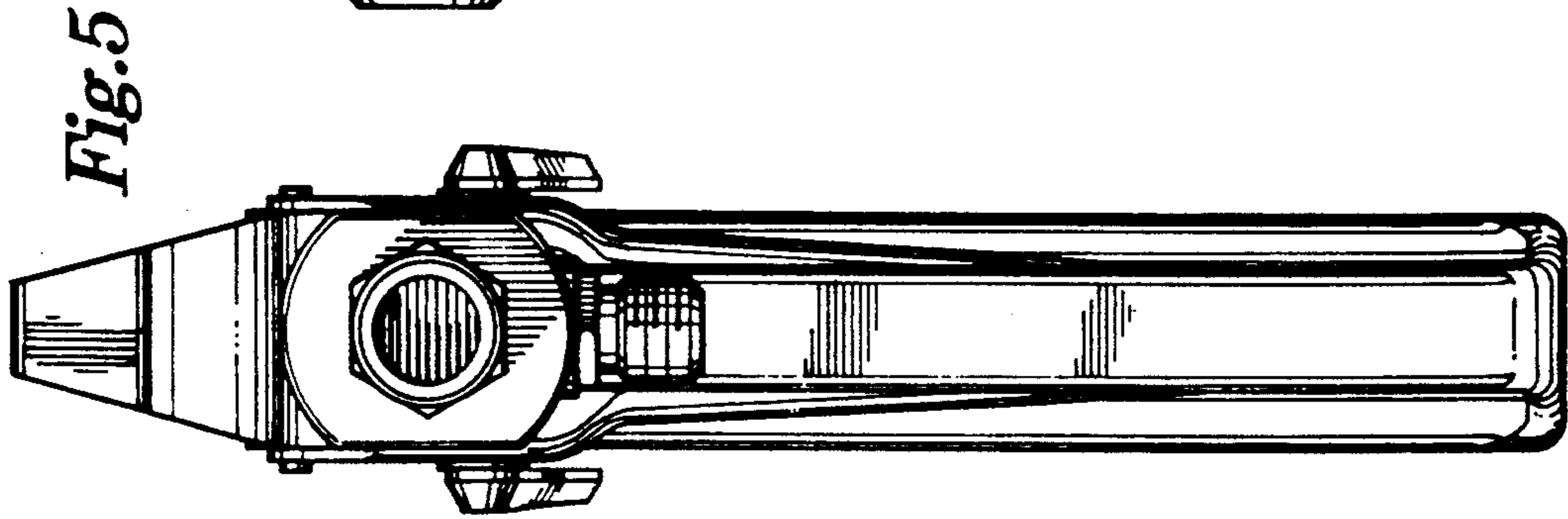


Fig. 5

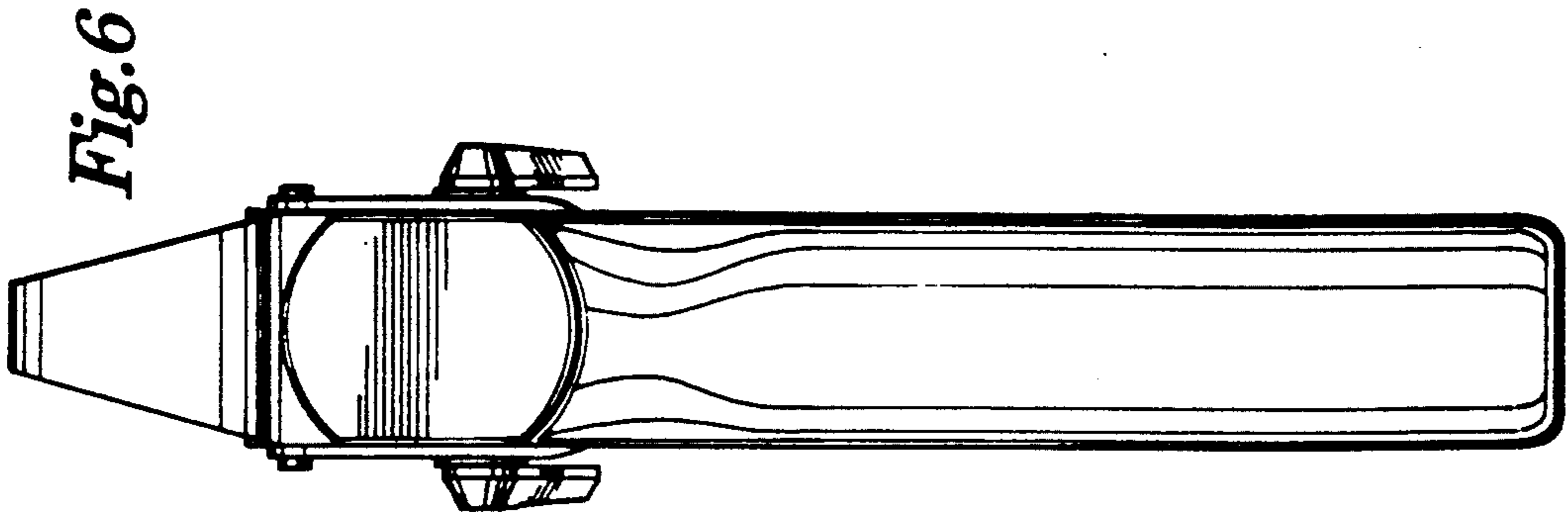


Fig. 6