



US00D341865S

United States Patent [19]
Humphreys

[11] **Patent Number: Des. 341,865**

[45] **Date of Patent: ** Nov. 30, 1993**

[54] **GOLF WEDGE WITH SHOE ATTACHMENT**

[76] **Inventor: Perry M. Humphreys, 12608 Monaco, Mesquite, Tex. 75180**

[**] **Term: 14 Years**

[21] **Appl. No.: 790,706**

[22] **Filed: Nov. 12, 1991**

[52] **U.S. Cl. D21/234**

[58] **Field of Search D21/234; 273/DIG. 18, 273/191 B, 193 A, 193 R, 67 B, 221**

[56] **References Cited**

U.S. PATENT DOCUMENTS

2,220,291 11/1940 Savoy 273/193 R
3,091,460 5/1963 Maldonado 273/67 B

OTHER PUBLICATIONS

Austad's 1985 Xmas preview cat., p. 7, top right, iron.

Primary Examiner—Melvin B. Feifer

Attorney, Agent, or Firm—Timmons & Kelly

[57] **CLAIM**

The ornamental design for a golf wedge with shoe attachment, as shown.

DESCRIPTION

FIG. 1 is a perspective view of the golf wedge with shoe attachment;

FIG. 2 is a front elevation of the golf wedge with shoe attachment;

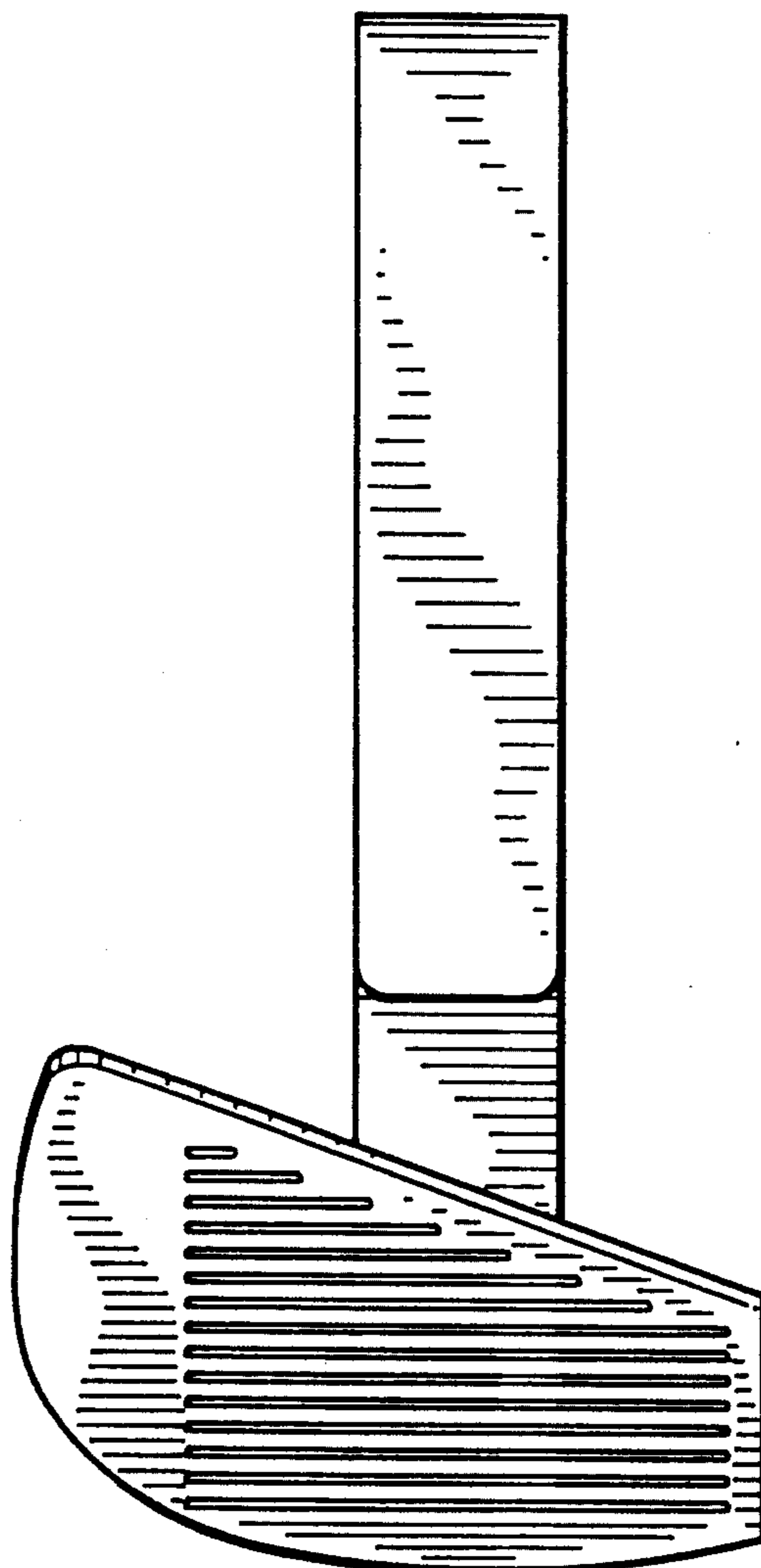
FIG. 3 is a rear elevation of the golf wedge with shoe attachment;

FIG. 4 is a right side elevation of the golf wedge with shoe attachment;

FIG. 5 is a left side elevation of the golf wedge with shoe attachment;

FIG. 6 is a top plan view of the golf wedge with shoe attachment; and,

FIG. 7 is a bottom plan view of the golf wedge with shoe attachment.



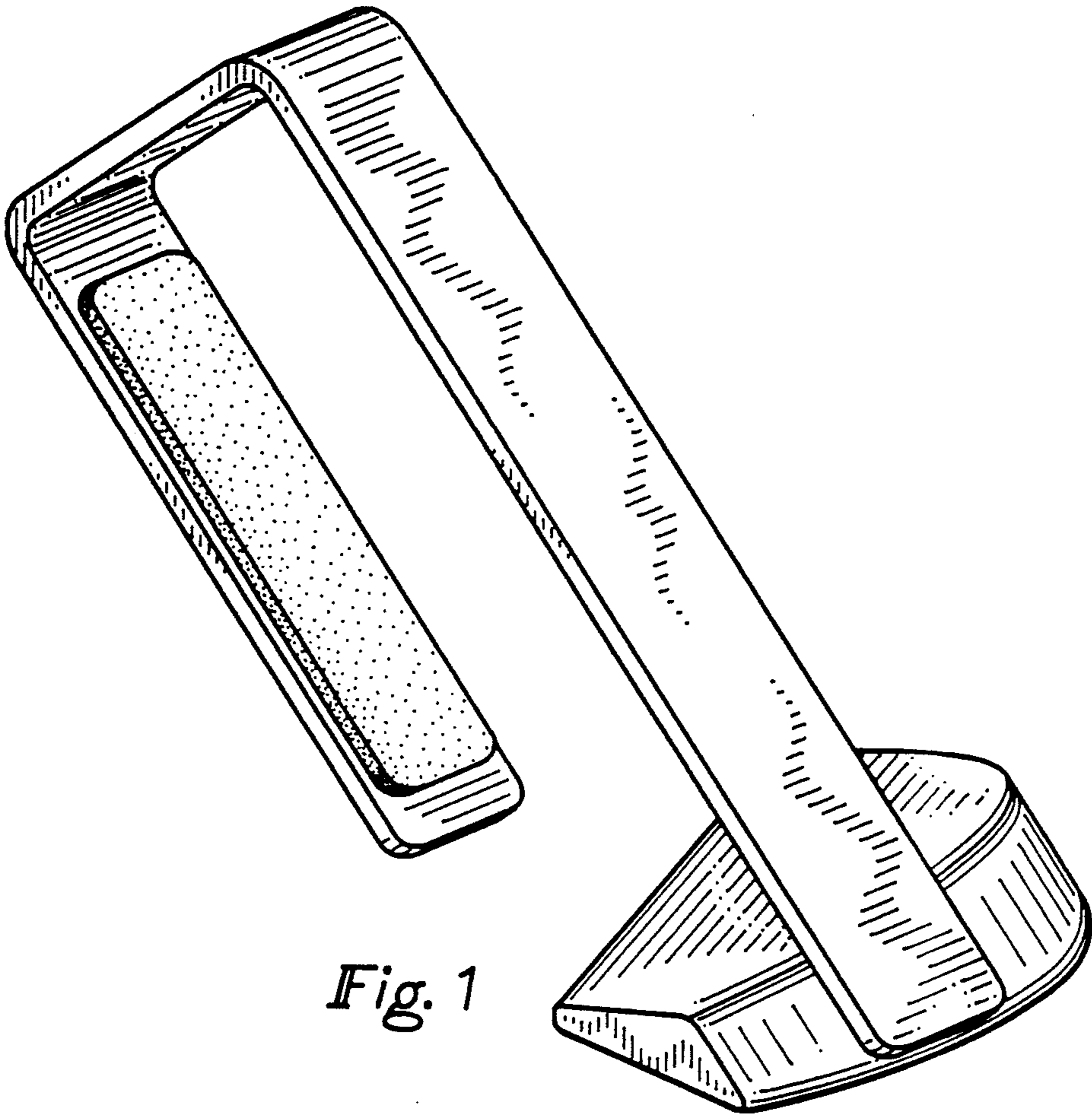


Fig. 1

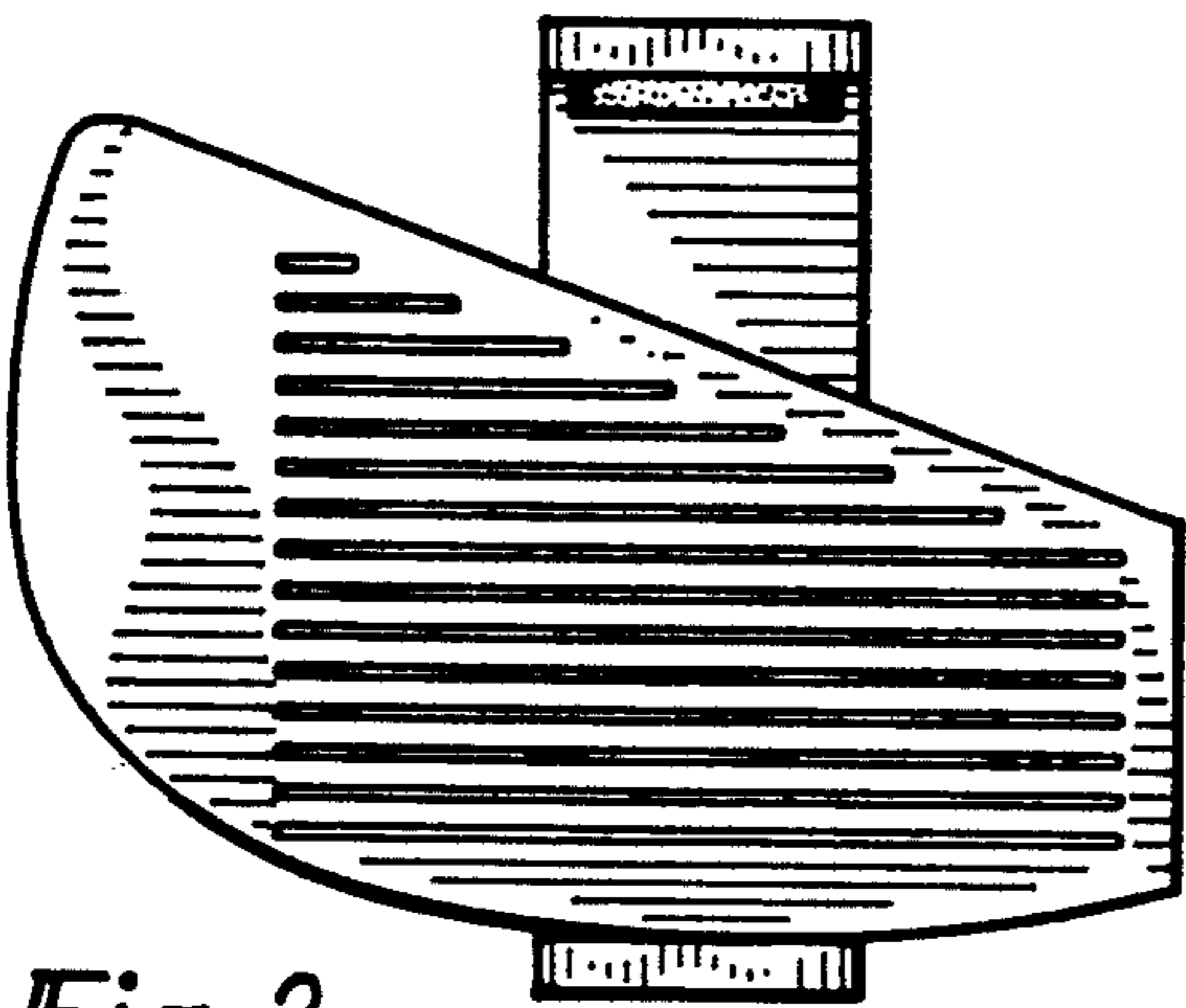


Fig. 2

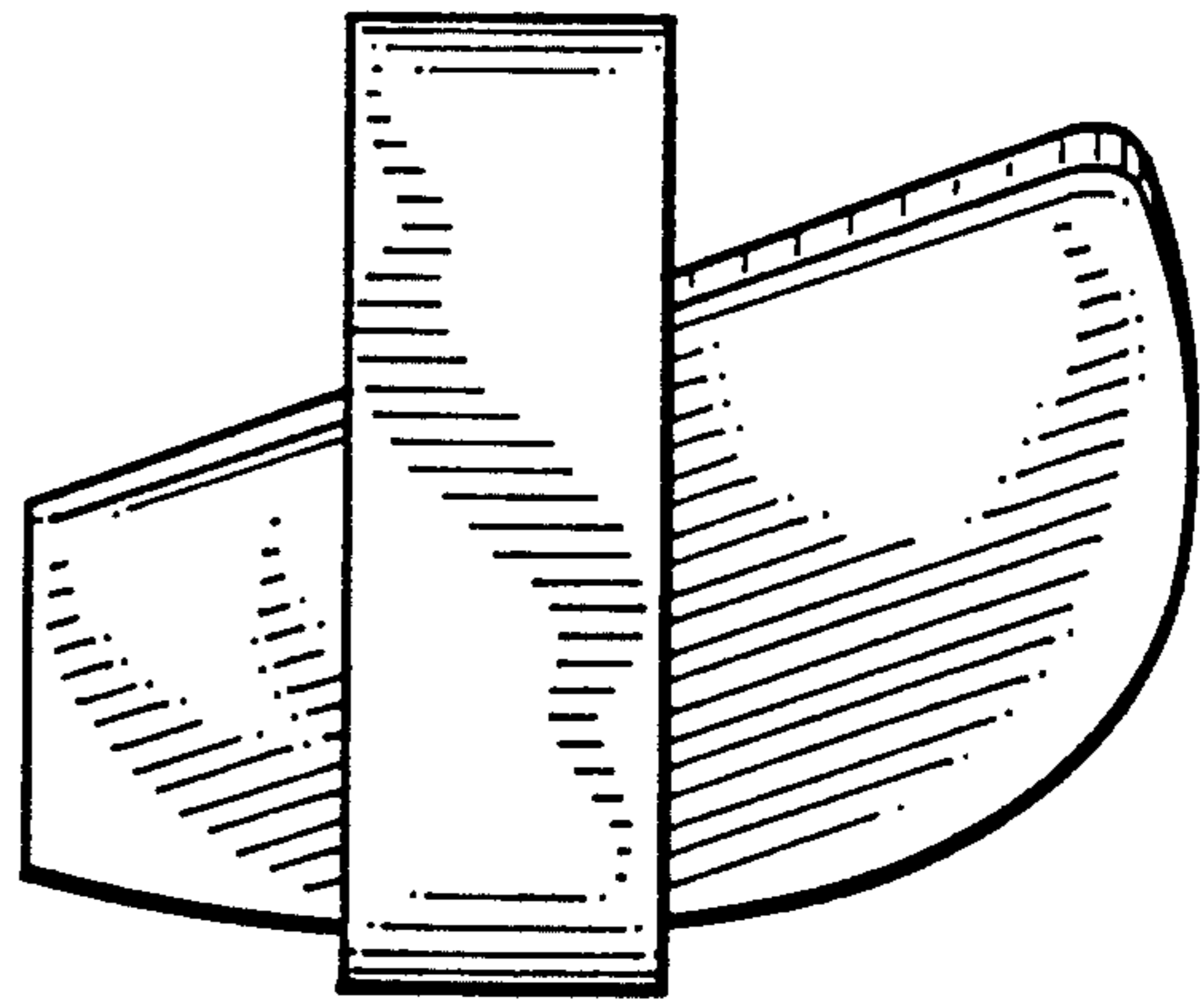


Fig. 3

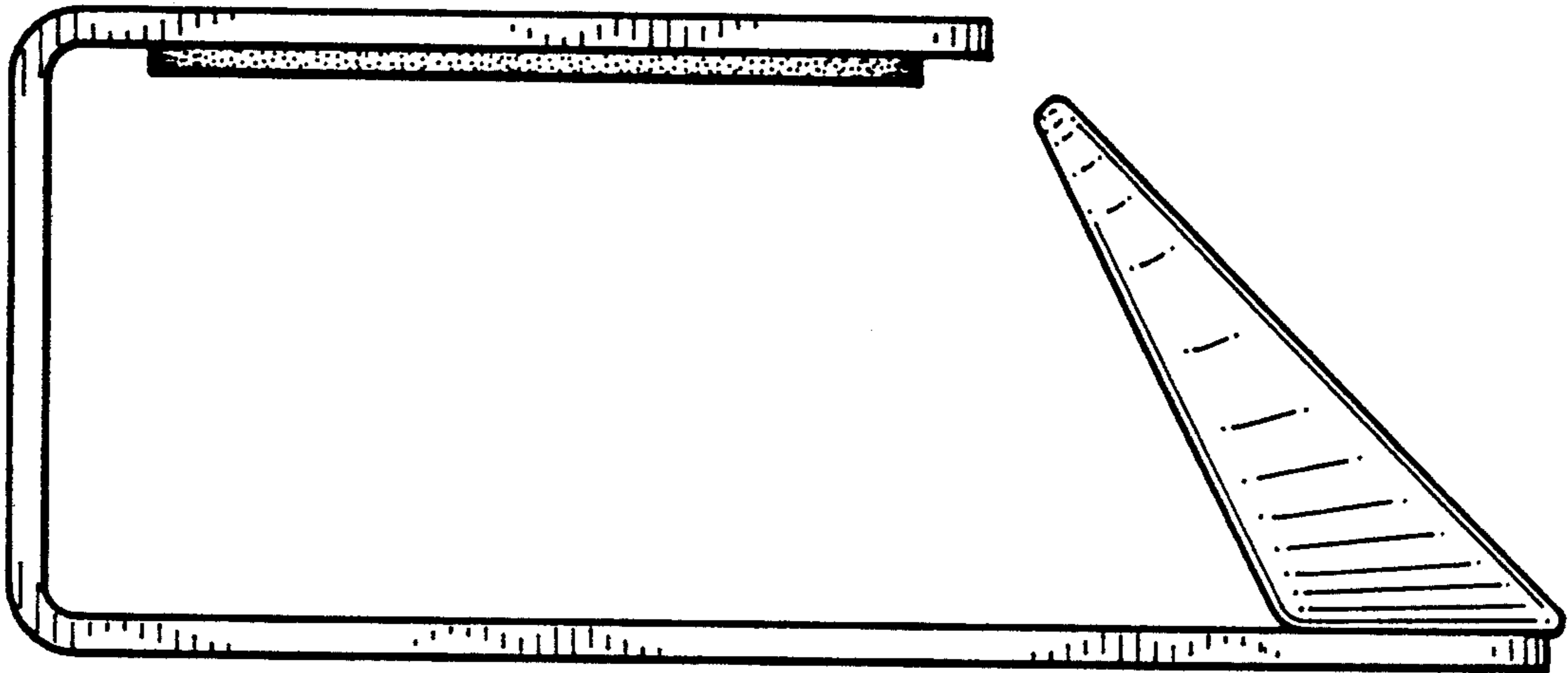


Fig. 4

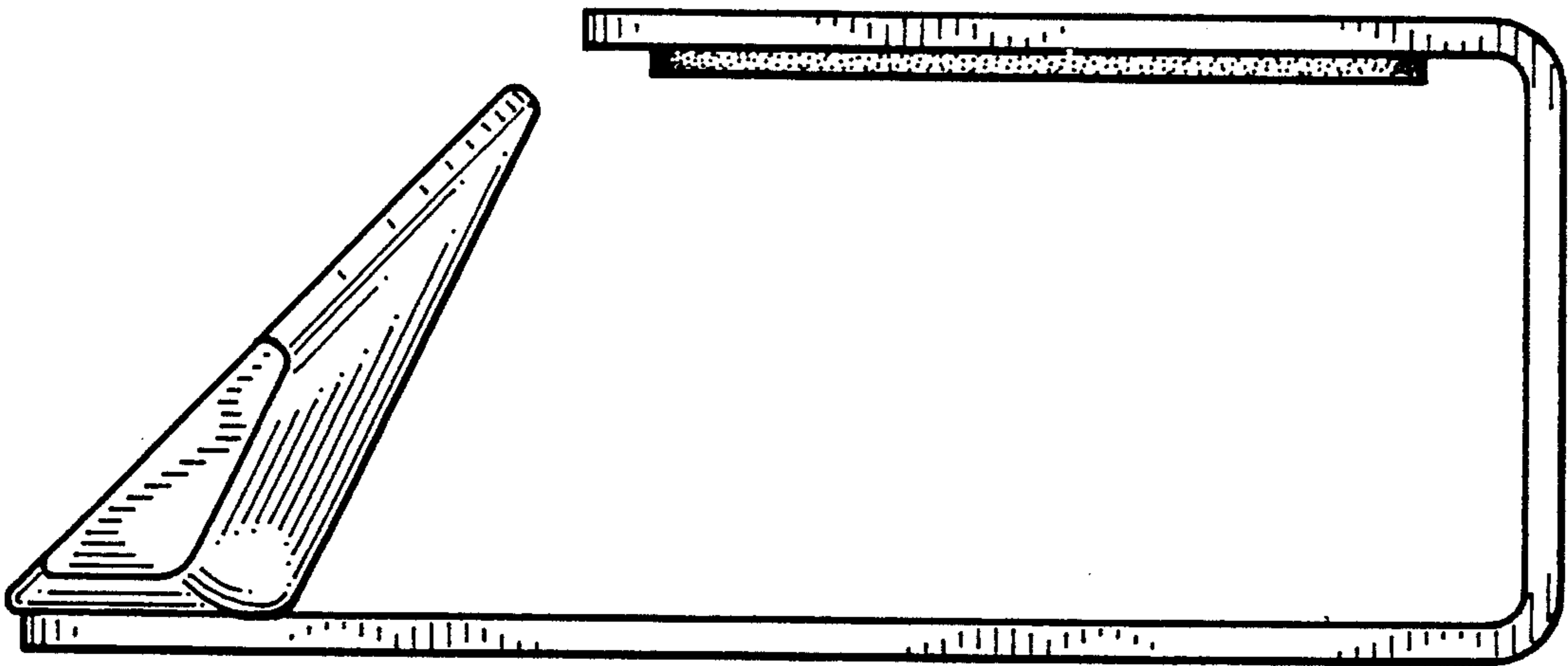


Fig. 5

