



US00D341859S

United States Patent [19]

[11] Patent Number: **Des. 341,859**

Easley et al.

[45] Date of Patent: **** Nov. 30, 1993**

[54] **STAIR CLIMBER EXERCISE MACHINE**

[75] Inventors: **James B. Easley**, Minneapolis; **Adolf H. Friedebach**, Waconia; **Louis F. Polk, III**, Shorewood, all of Minn.

[73] Assignee: **Fitness Master, Inc.**, Waconia, Minn.

[**] Term: **14 Years**

[21] Appl. No.: **859,544**

[22] Filed: **Mar. 27, 1992**

[52] U.S. Cl. **D21/195**

[58] Field of Search **D21/191, 192, 194, 195; 482/51, 66, 52, 70, DIG. 901**

| | | | |
|-----------|---------|-----------------|---------|
| 4,909,504 | 3/1990 | Yang | 272/130 |
| 4,934,688 | 6/1990 | Lo | 272/70 |
| 4,934,690 | 6/1990 | Bull | 272/70 |
| 4,982,952 | 1/1991 | Wang | 272/70 |
| 4,989,858 | 2/1991 | Young et al. | 272/70 |
| 5,000,441 | 3/1991 | Wang | 272/70 |
| 5,000,443 | 3/1991 | Dalebout et al. | 272/70 |
| 5,004,224 | 4/1991 | Wang | 272/70 |
| 5,007,631 | 4/1991 | Wang | 272/70 |
| 5,013,031 | 5/1991 | Bull | 272/70 |
| 5,033,733 | 7/1991 | Findlay | 272/70 |
| 5,039,087 | 8/1991 | Kuo | 272/70 |
| 5,048,821 | 9/1991 | Kuo-Liang | 272/70 |
| 5,054,770 | 10/1991 | Bull | 272/70 |
| 5,078,390 | 1/1992 | Hurt | 272/70 |

[56] **References Cited**

U.S. PATENT DOCUMENTS

| | | | |
|------------|---------|------------------|---------|
| D. 302,451 | 7/1989 | Bull et al. | D21/195 |
| D. 304,358 | 10/1989 | Armstrong et al. | D21/195 |
| D. 321,229 | 10/1991 | Dalton et al. | D21/195 |
| D. 324,089 | 2/1992 | Miller | D21/195 |
| D. 328,770 | 8/1992 | Henderson et al. | D21/195 |
| D. 329,887 | 9/1992 | Yang | D21/195 |
| D. 330,058 | 10/1992 | Yang | D21/195 |
| 3,970,302 | 7/1976 | McFee | 272/130 |
| 4,496,147 | 1/1985 | DeCloux et al. | 272/130 |
| 4,685,669 | 8/1987 | DeCloux | 272/130 |
| 4,708,338 | 11/1987 | Potts | 272/70 |
| 4,726,581 | 2/1988 | Chang | 272/70 |
| 4,830,362 | 5/1989 | Bull | 272/70 |
| 4,838,543 | 6/1989 | Armstrong et al. | 272/70 |

Primary Examiner—Bernard Ansher
Assistant Examiner—Philip Hyder
Attorney, Agent, or Firm—Dorsey & Whitney

[57] **CLAIM**

The ornamental design for a stair climber exercise machine, as shown.

DESCRIPTION

FIG. 1 is a perspective view of the stair climber exercise machine showing our new design; FIG. 2 is a right side elevational view thereof, the left side elevational view being a mirror image thereof; FIG. 3 is a top plan view thereof; FIG. 4 is a bottom plan view thereof; FIG. 5 is a front elevational view thereof; and, FIG. 6 is a rear elevational view thereof.

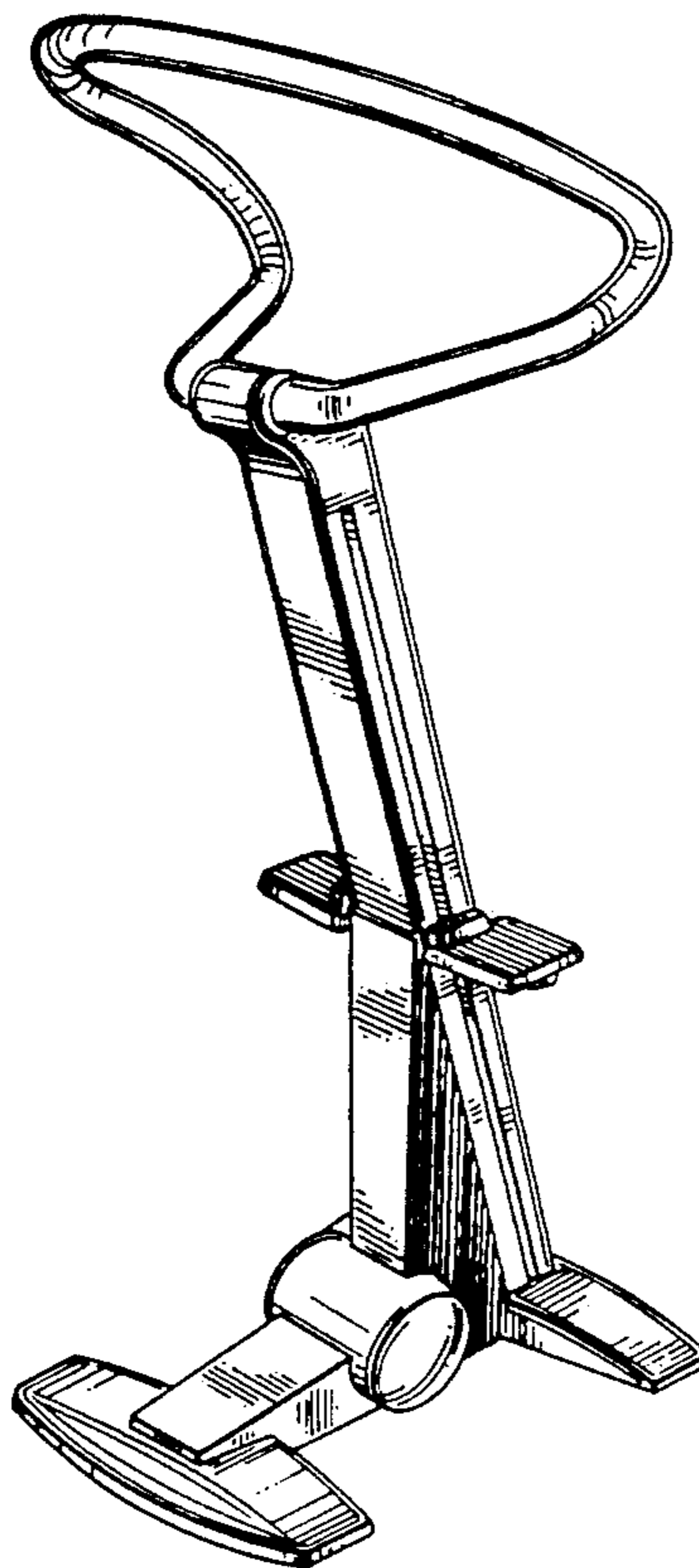


Fig. 1

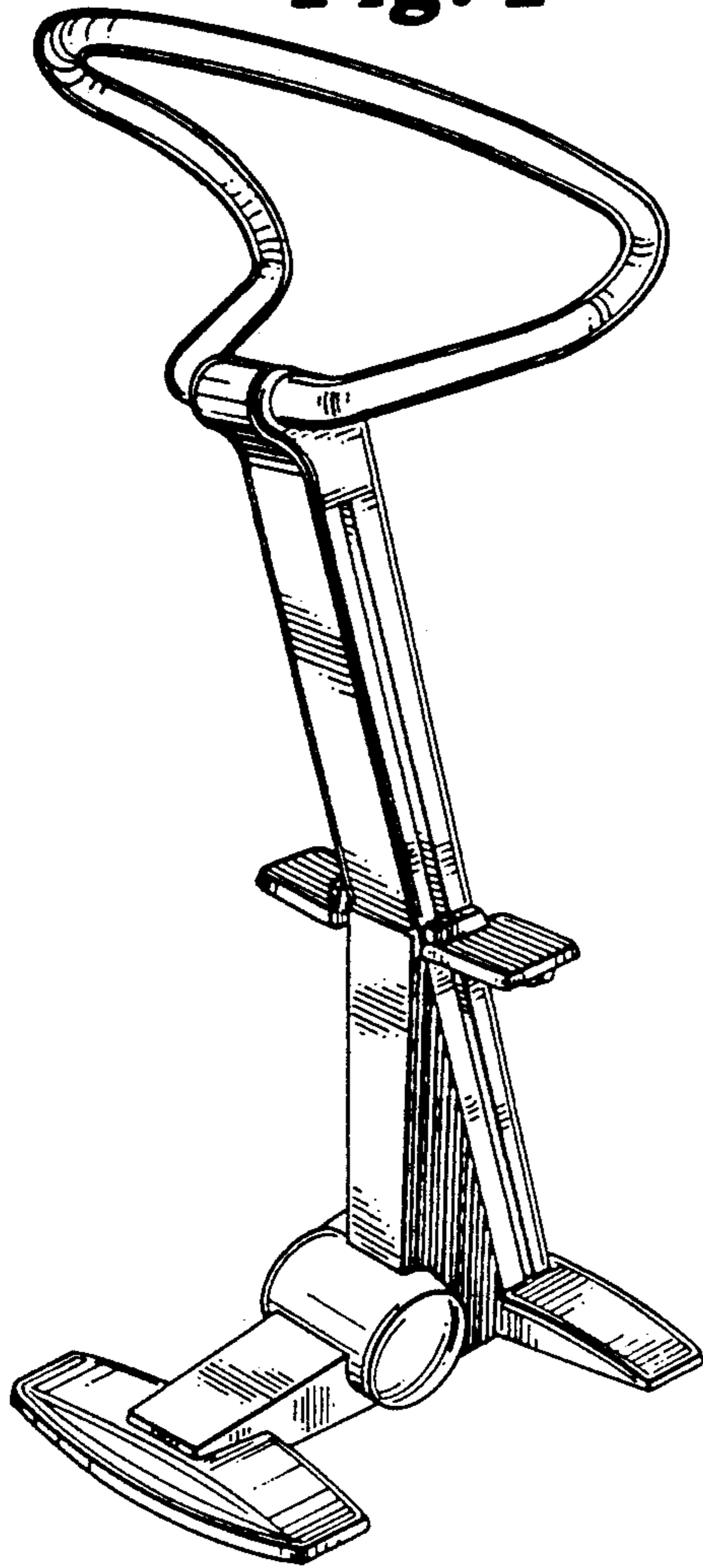


Fig. 2

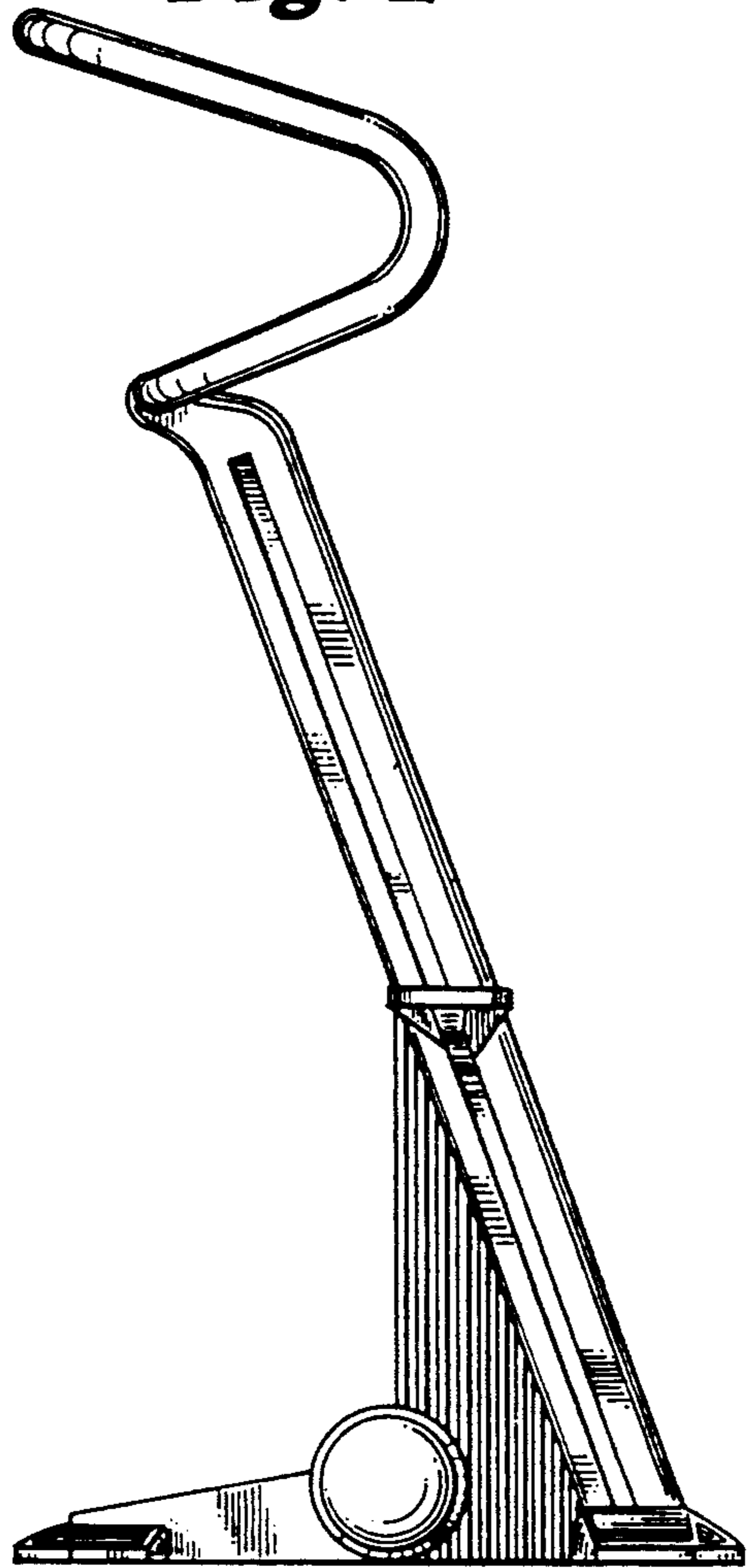


Fig. 3

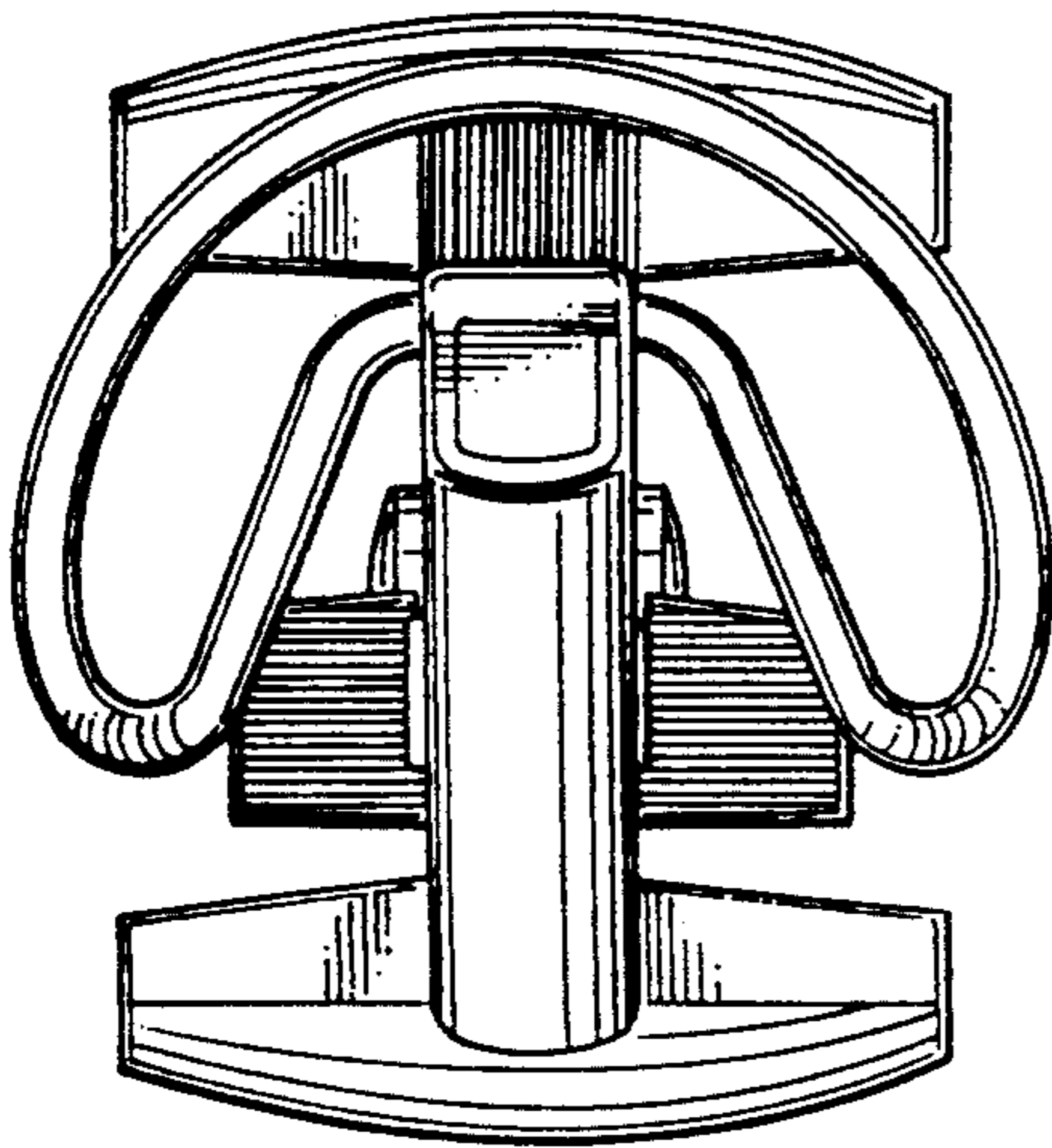


Fig. 4

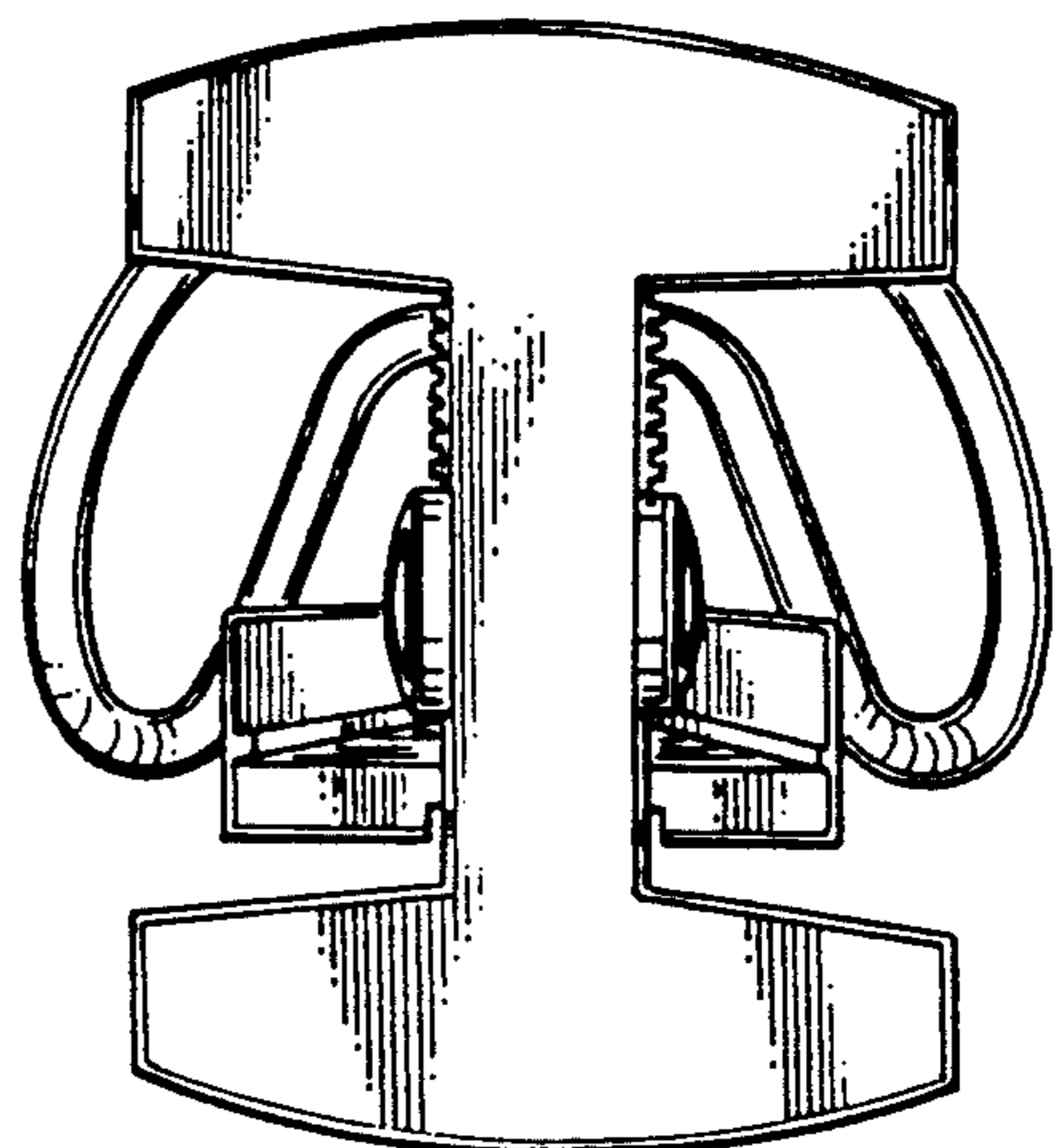


Fig. 5

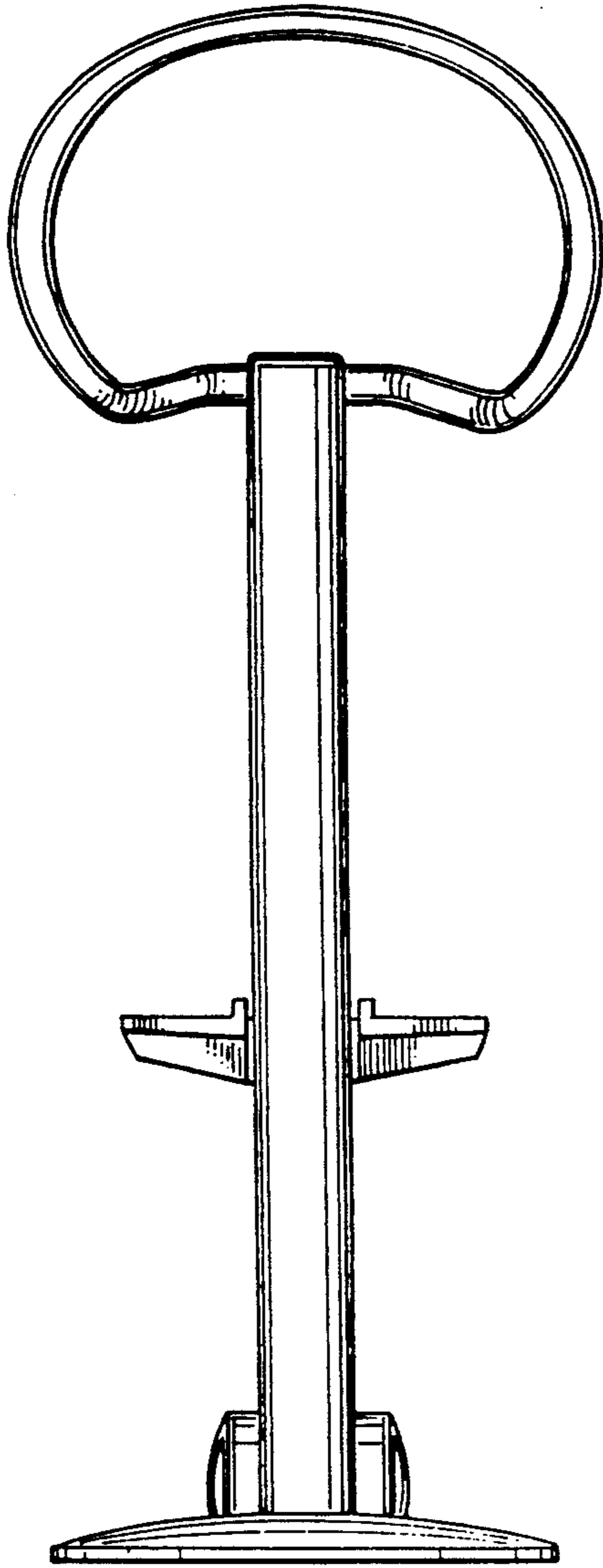


Fig. 6

