



US00D341844S

United States Patent [19] Arehart

[11] Patent Number: **Des. 341,844**

[45] Date of Patent: **** Nov. 30, 1993**

- [54] **COMBINED BELT AND DISK SANDER**
- [75] Inventor: **Robert W. Arehart, Chicago, Ill.**
- [73] Assignee: **Emerson Electric Co., St. Louis, Mo.**
- [**] Term: **14 Years**
- [21] Appl. No.: **851,147**
- [22] Filed: **Mar. 13, 1992**
- [52] U.S. Cl. **D15/124**
- [58] Field of Search **D15/124, 130; D8/62; 51/3, 109 R, 135 R, 148; 144/1 R, 1 A, 1 C**

[56] **References Cited**

U.S. PATENT DOCUMENTS

D. 205,298	7/1966	Milner .	
D. 275,014	8/1984	Haenel et al.	D15/124
D. 293,763	1/1988	Arehart .	
2,483,369	9/1949	Loucony et al. .	
2,740,238	4/1956	Sharpless .	
2,948,088	8/1960	Jepson .	
3,538,650	11/1970	Pollak .	
3,608,245	9/1971	Fair et al. .	
4,334,542	1/1982	Howe .	
4,403,454	9/1983	Glore et al. .	
4,924,633	5/1990	Hock et al.	51/135 R
5,165,203	11/1992	Chuang	51/135 R
5,168,656	12/1992	Jolly et al.	51/3

OTHER PUBLICATIONS

Black & Decker Power Tools Catalog Nos. 9412 and 9418.
 Black & Decker Product Announcement Model 1763.
 Hitachi Power Tools Booklet Nos. SB-110 and SB-75.

The Jet Bench Grinder and Belt/Sander Brochure Design Nos. BGS-6 and JSG-1.
 The Makita International Quality Power Tools Booklet Model 9030, Model 9900B, Model 9924B, Model 9924B and Model 9401.
 Rockwell Machinery Booklet No. 31-352 The Rockwell Portable Stationary Tools Brochure Mode No. 31-325.
 The Rockwell Spring 1978 Boyer's Guide Des. Nos. 4460, 4461, 4471, 31-355 and 31-200.
 The Shopcraft Benchtop & Portable Power Tools Brochure Model T6790.
 The Toolcraft Power Tools Trade Book Model Nos. 4341, 4311 and 4300.

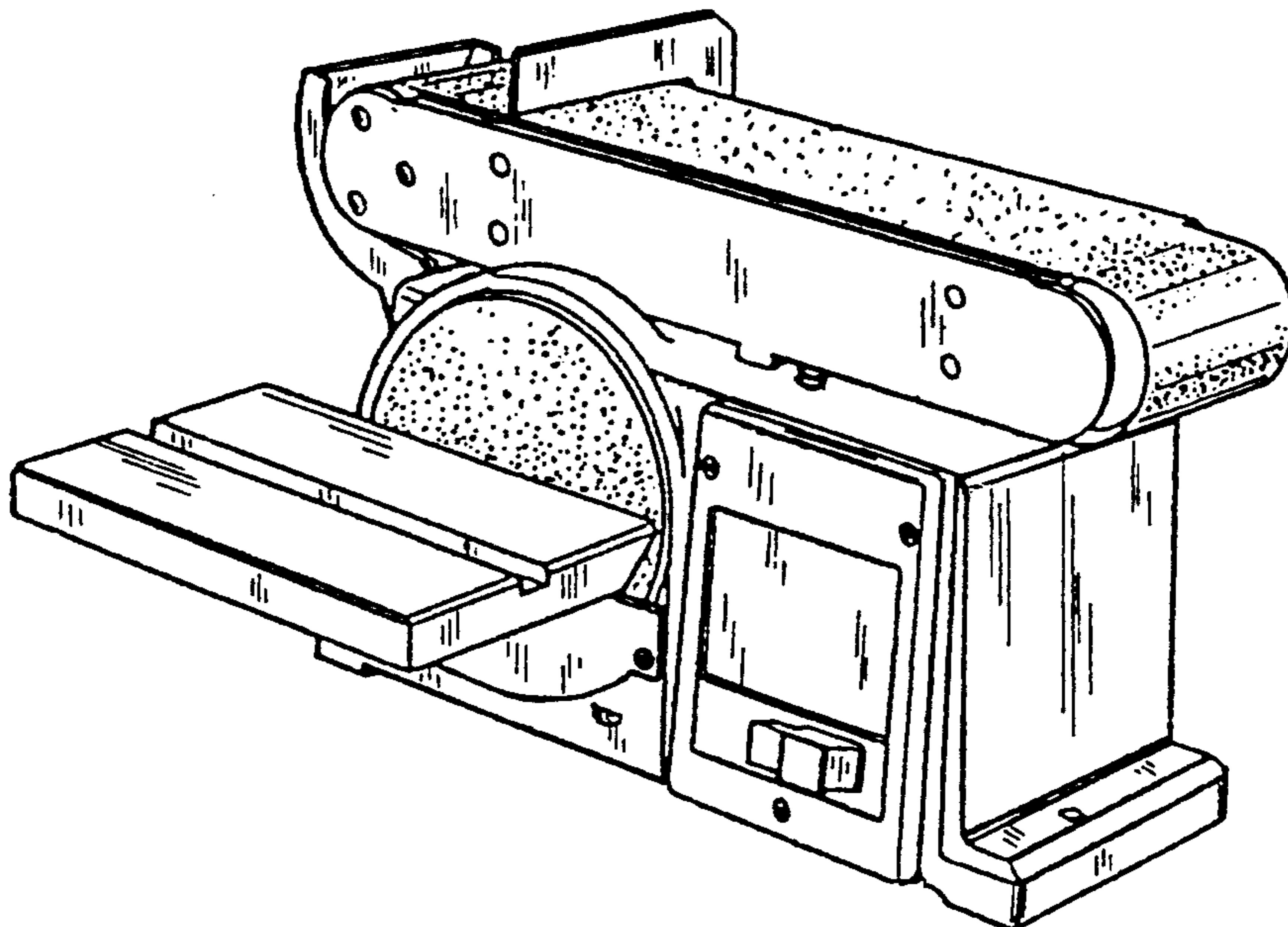
Primary Examiner—Alan P. Douglas
Assistant Examiner—Antoine D. Davis
Attorney, Agent, or Firm—Polster, Lieder, Woodruff & Lucchesi

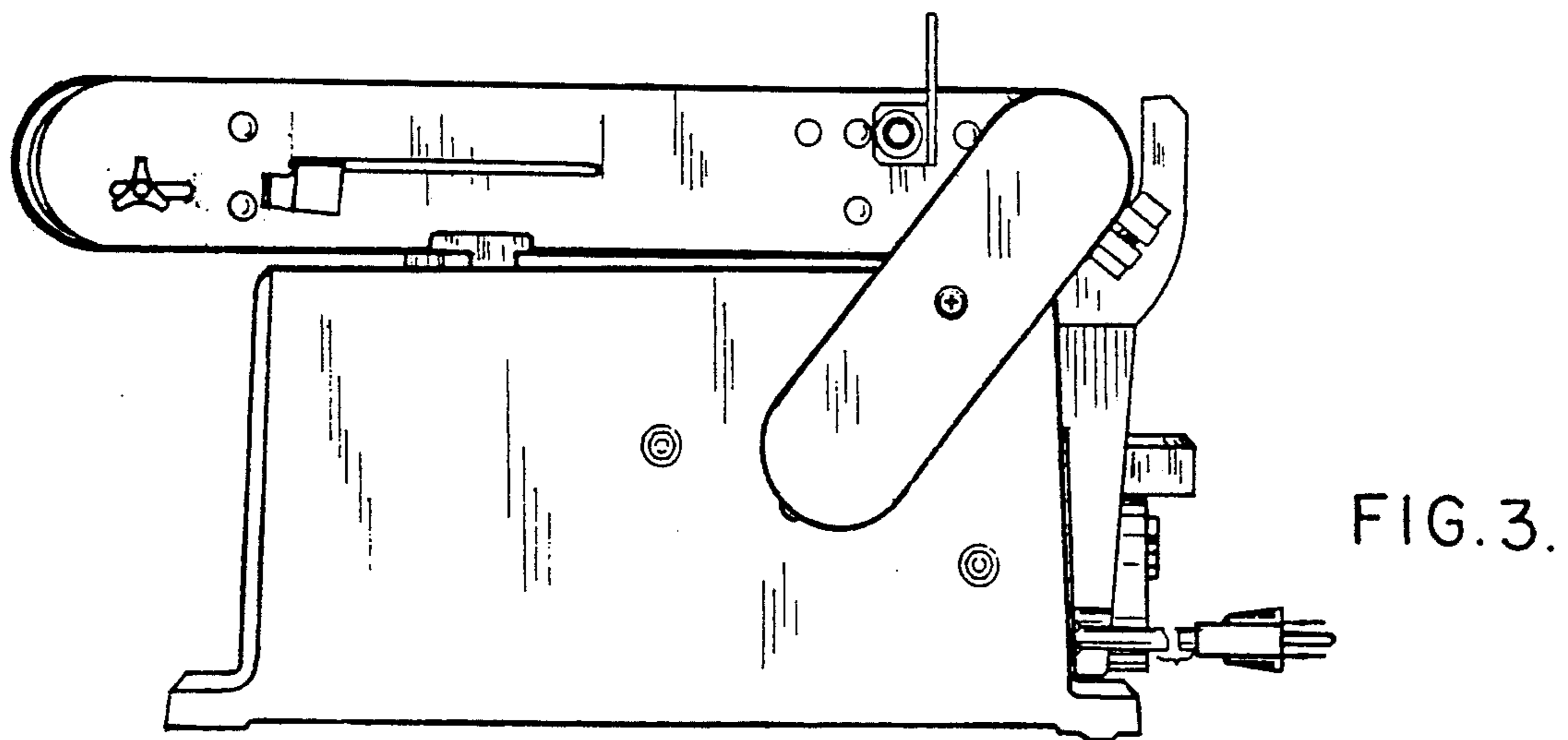
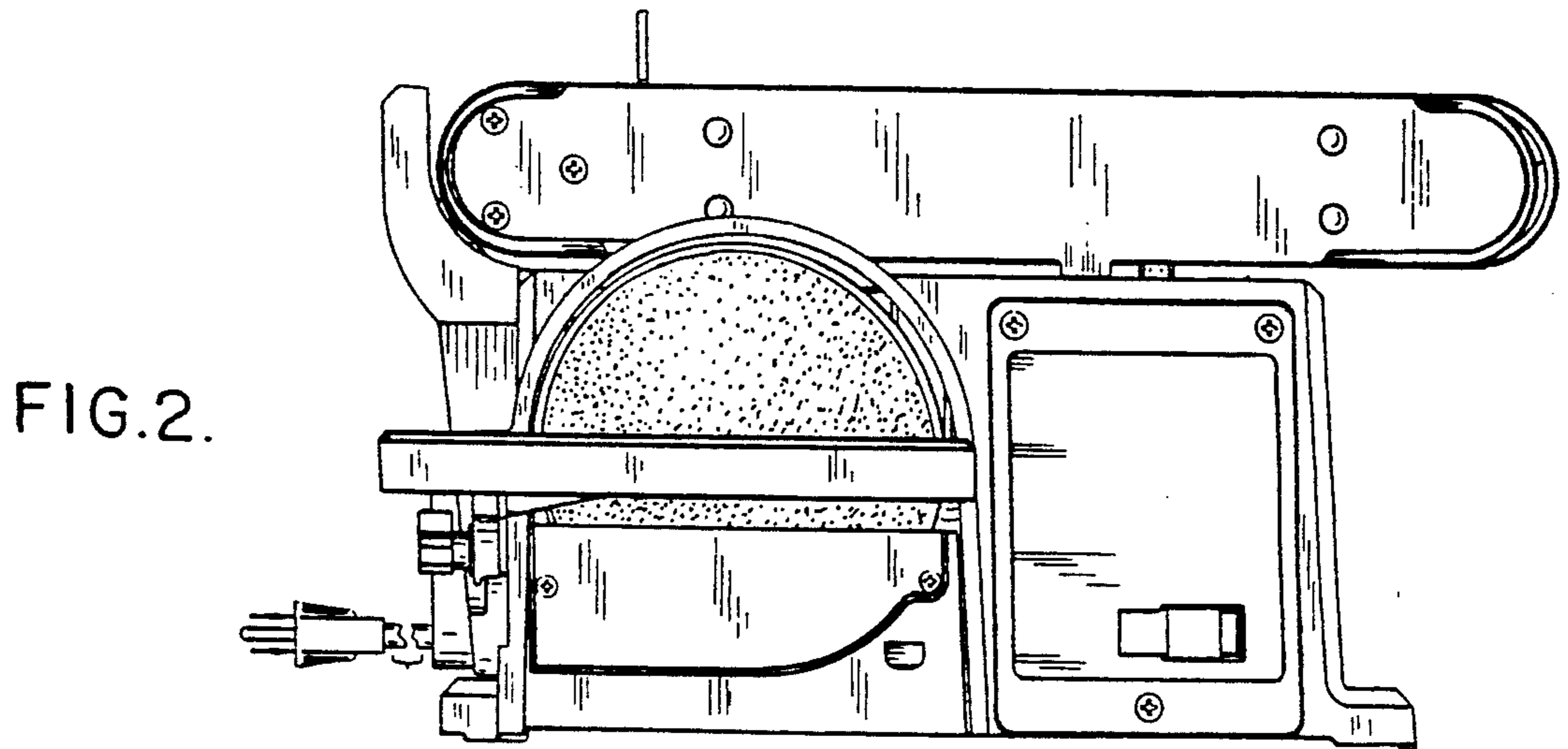
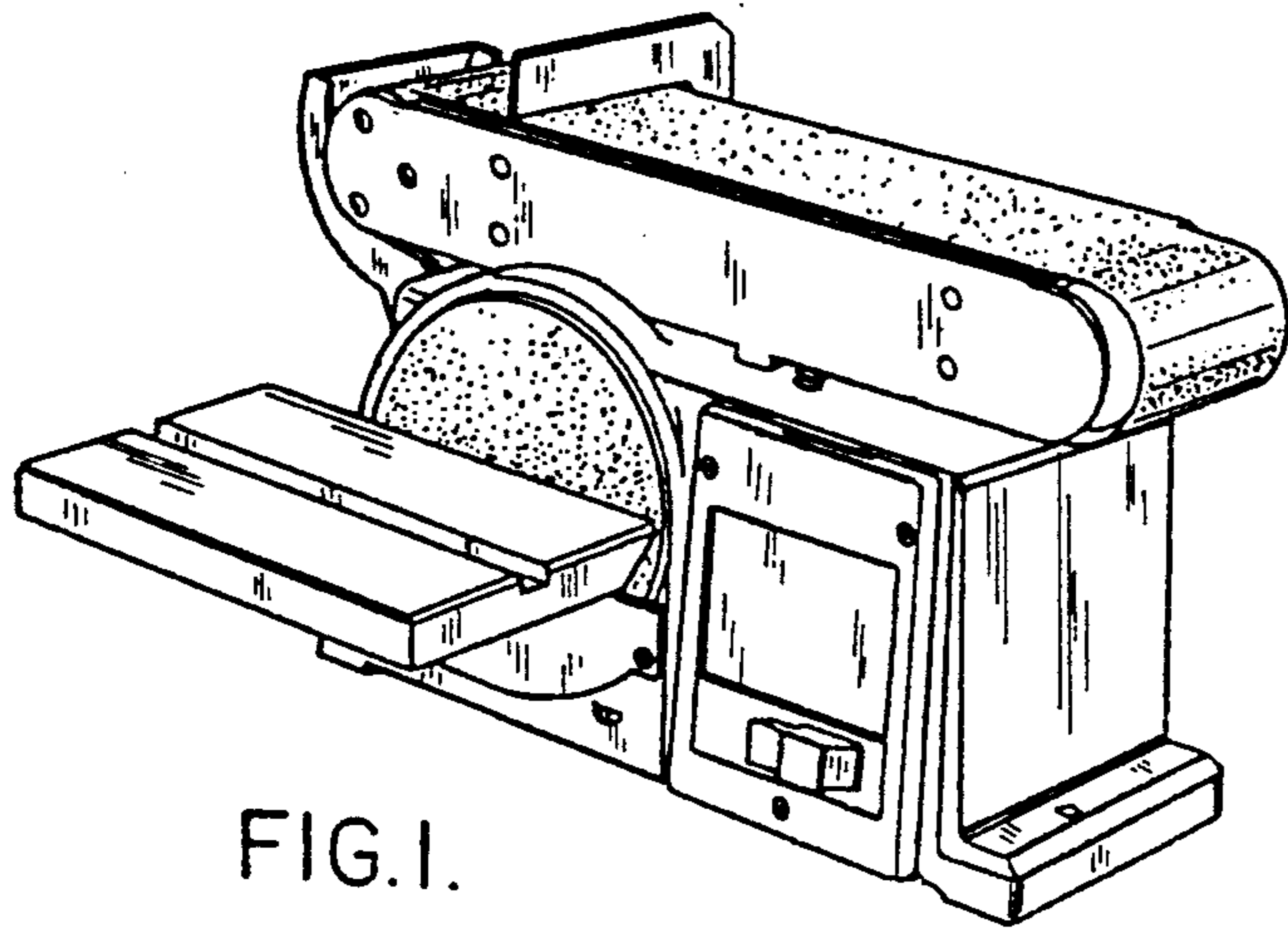
[57] **CLAIM**

The ornamental design for a combined belt and disk sander, as shown and described.

DESCRIPTION

FIG. 1 is a front perspective view of a combined belt and disk sander showing my new design;
 FIG. 2 is a right side elevational view thereof;
 FIG. 3 is a left side elevational view thereof;
 FIG. 4 is a top plan view thereof;
 FIG. 5 is a bottom plan view thereof;
 FIG. 6 is a rear elevational view thereof;
 FIG. 7 is a front elevational view thereof; and,
 FIG. 8 is a perspective view of FIG. 6, taken from the right side and slightly from the above.





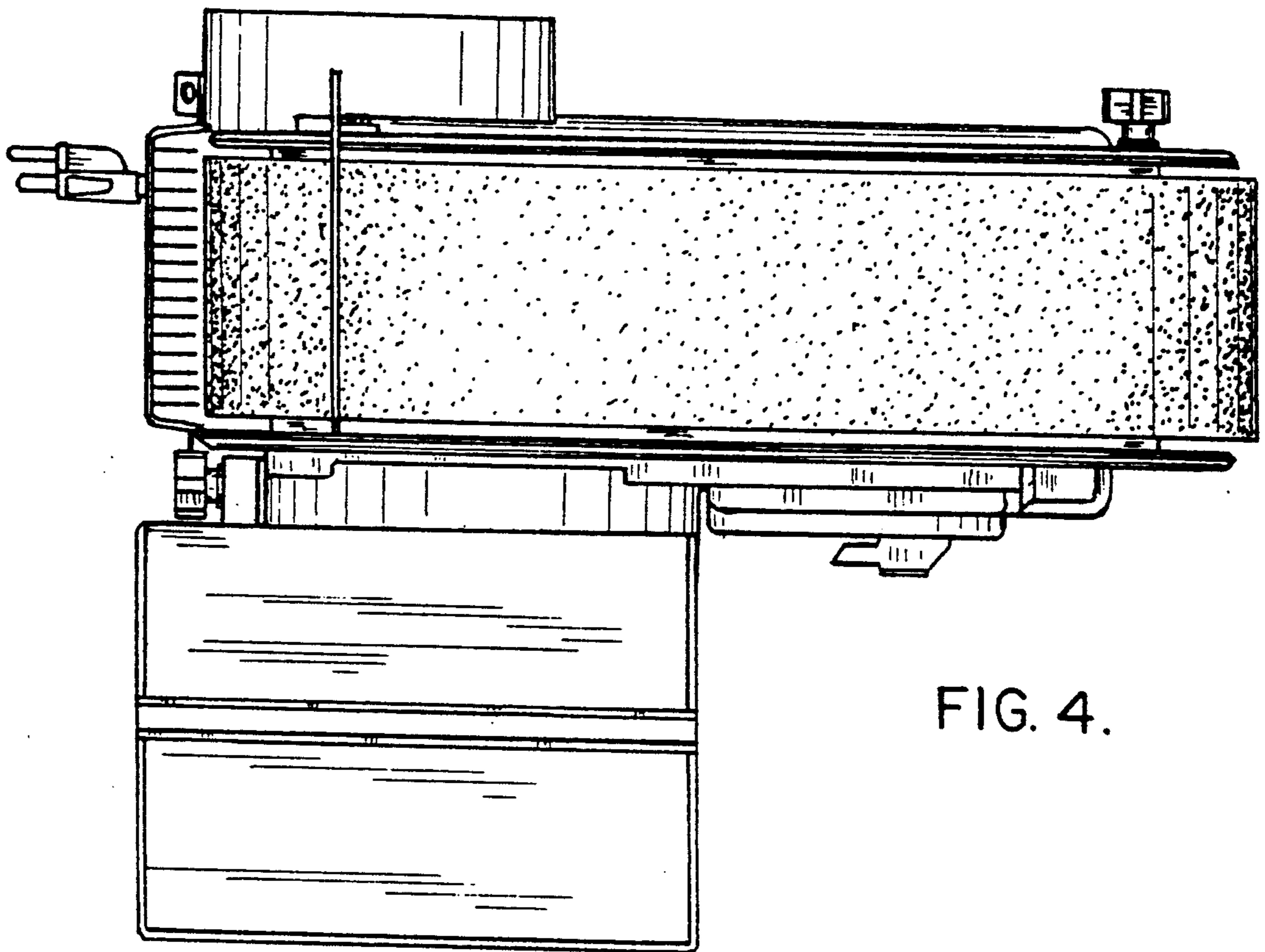


FIG. 4.

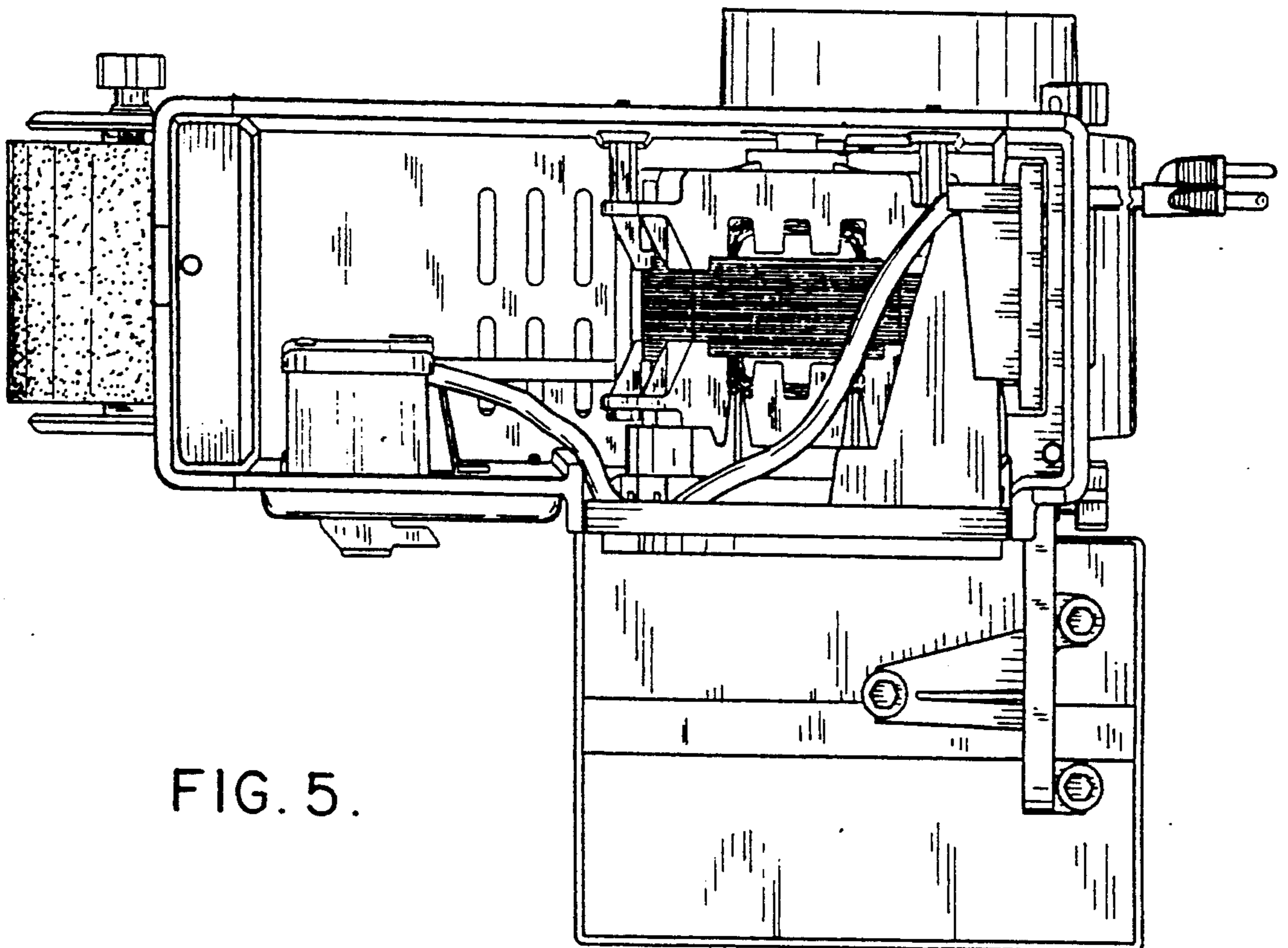


FIG. 5.

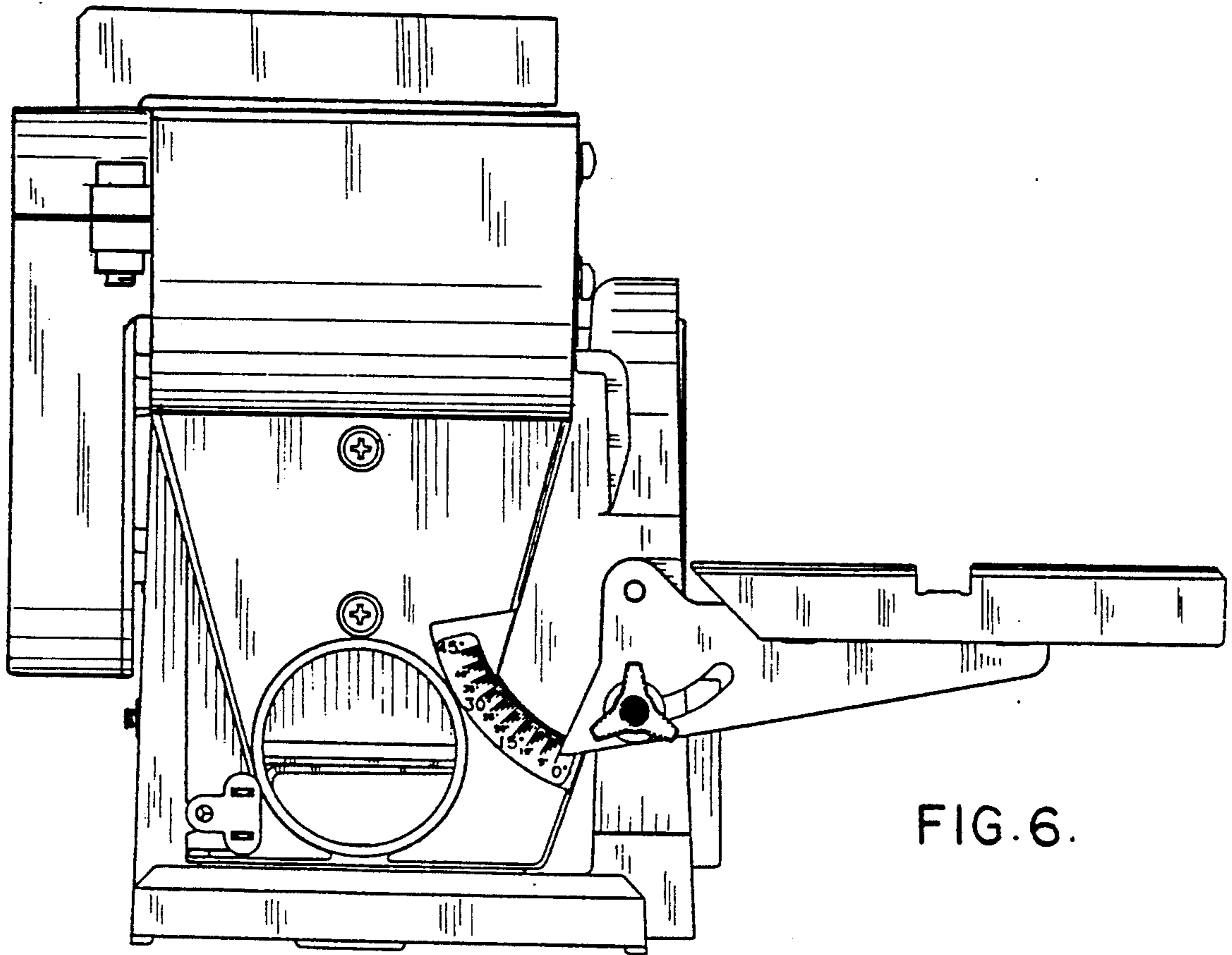


FIG. 6.

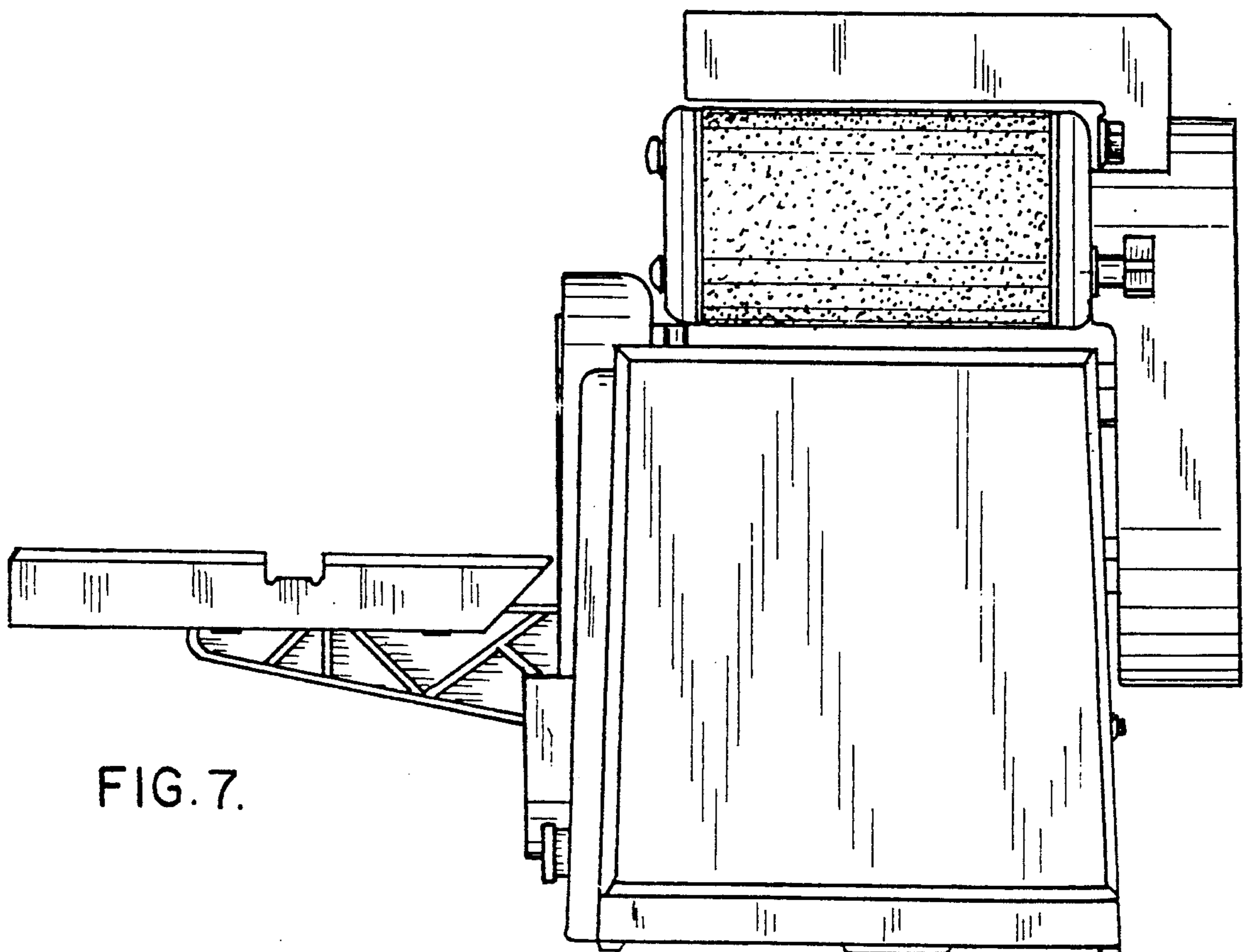


FIG. 7.

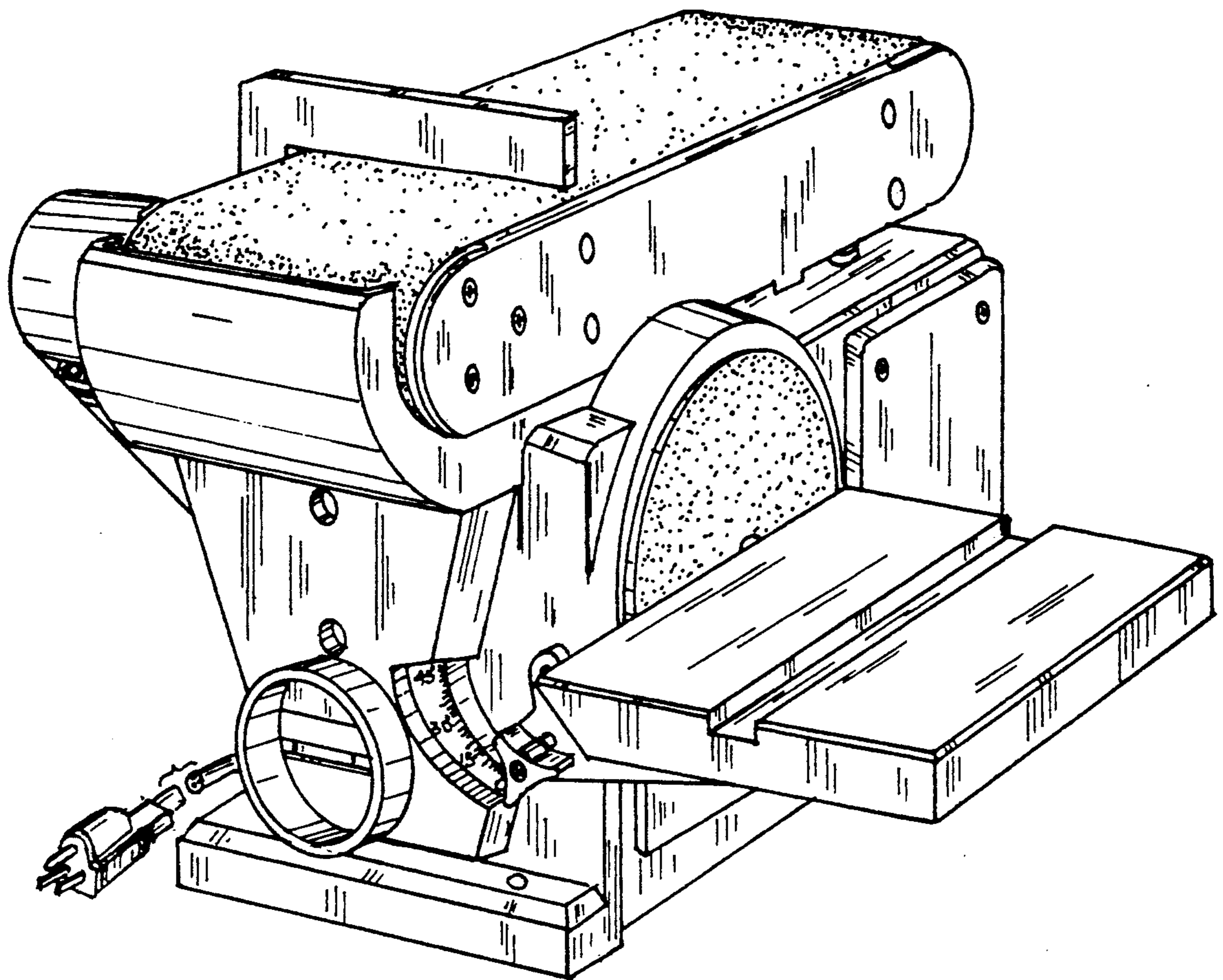


FIG. 8.