



US00D341843S

United States Patent [19]

[11] Patent Number: **Des. 341,843**

Miller, Jr.

[45] Date of Patent: **** Nov. 30, 1993**

[54] **SANDING MACHINE**

[75] Inventor: **John E. Miller, Jr., Kansas City, Mo.**

[73] Assignee: **Woodmaster Tools, Inc., Kansas City, Mo.**

[**] Term: **14 Years**

[21] Appl. No.: **674,041**

[22] Filed: **Mar. 25, 1991**

[52] U.S. Cl. **D15/124**

[58] Field of Search **D15/124, 125, 126; 51/72 R, 74 R, 135 R-148; 144/114 R-130**

[56] **References Cited**

U.S. PATENT DOCUMENTS

D. 226,122	1/1973	Weatherell	D15/124
D. 279,682	7/1985	Maxwell	D15/124
D. 292,099	9/1987	Miller, Jr.	D15/124
3,777,442	12/1973	Bernu	51/135 R
3,832,807	9/1974	Kiser et al.	51/138
3,872,627	3/1975	Schuster	51/135 R

Primary Examiner—Alan P. Douglas
Assistant Examiner—Antoine D. Davis

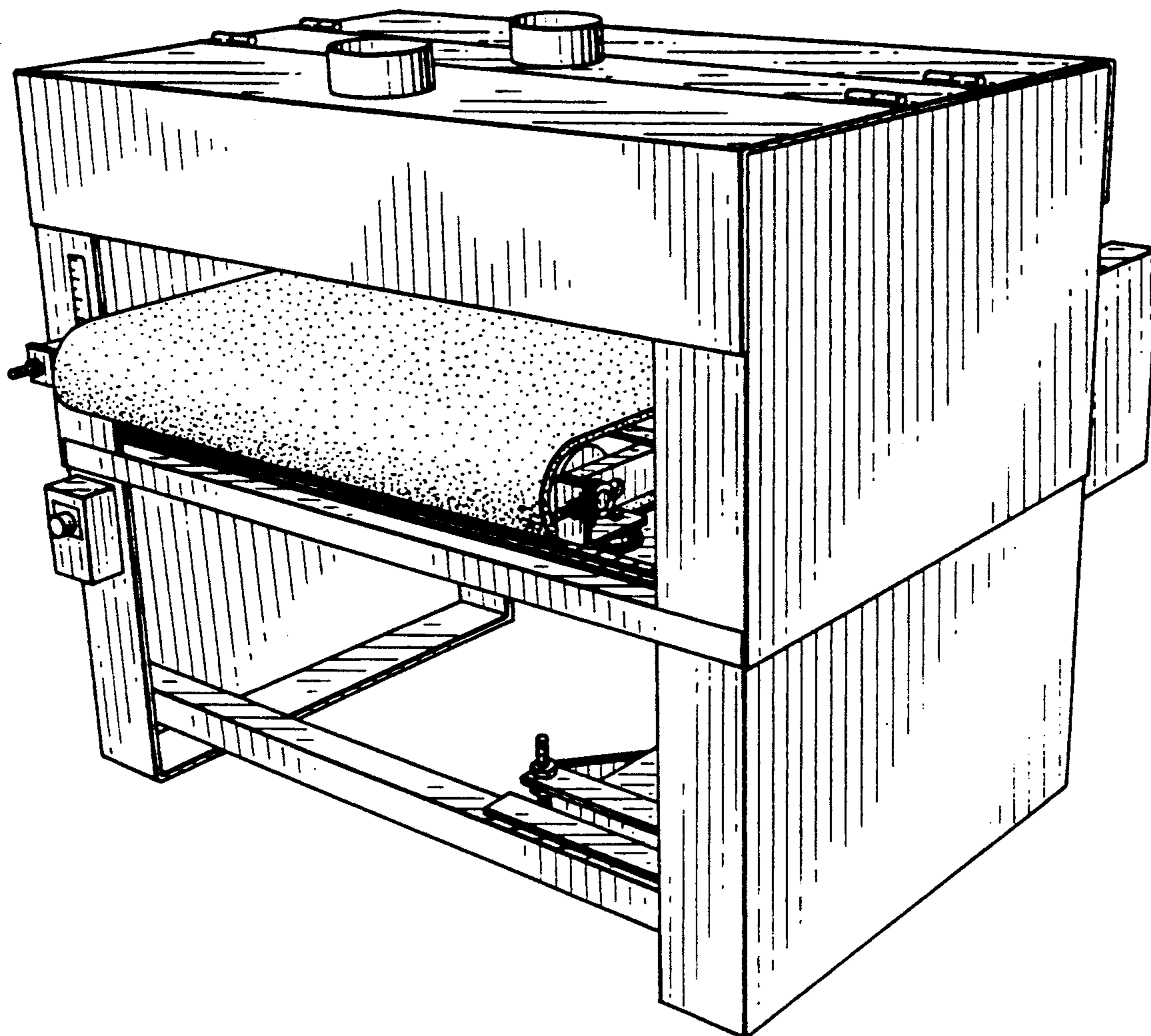
Attorney, Agent, or Firm—Hovey, Williams, Timmons & Collins

[57] **CLAIM**

The ornamental design for a sanding machine, as shown and described.

DESCRIPTION

FIG. 1 is a perspective view of one embodiment of the sanding machine showing my invention;
 FIG. 2 is a front elevational view thereof;
 FIG. 3 is a top plan view;
 FIG. 4 is a rear elevational view;
 FIG. 5 is an end elevational view;
 FIG. 6 is a front elevational view of an alternative embodiment of the sanding machine showing my new design;
 FIG. 7 is a top plan view of the embodiment shown in FIG. 6;
 FIG. 8 is an end elevational view of the embodiment shown in FIG. 6;
 FIG. 9 is a rear elevational view thereof; and,
 FIG. 10 is an elevational view of the embodiment shown in FIG. 6 and illustrating the end opposite to that shown in FIG. 8.



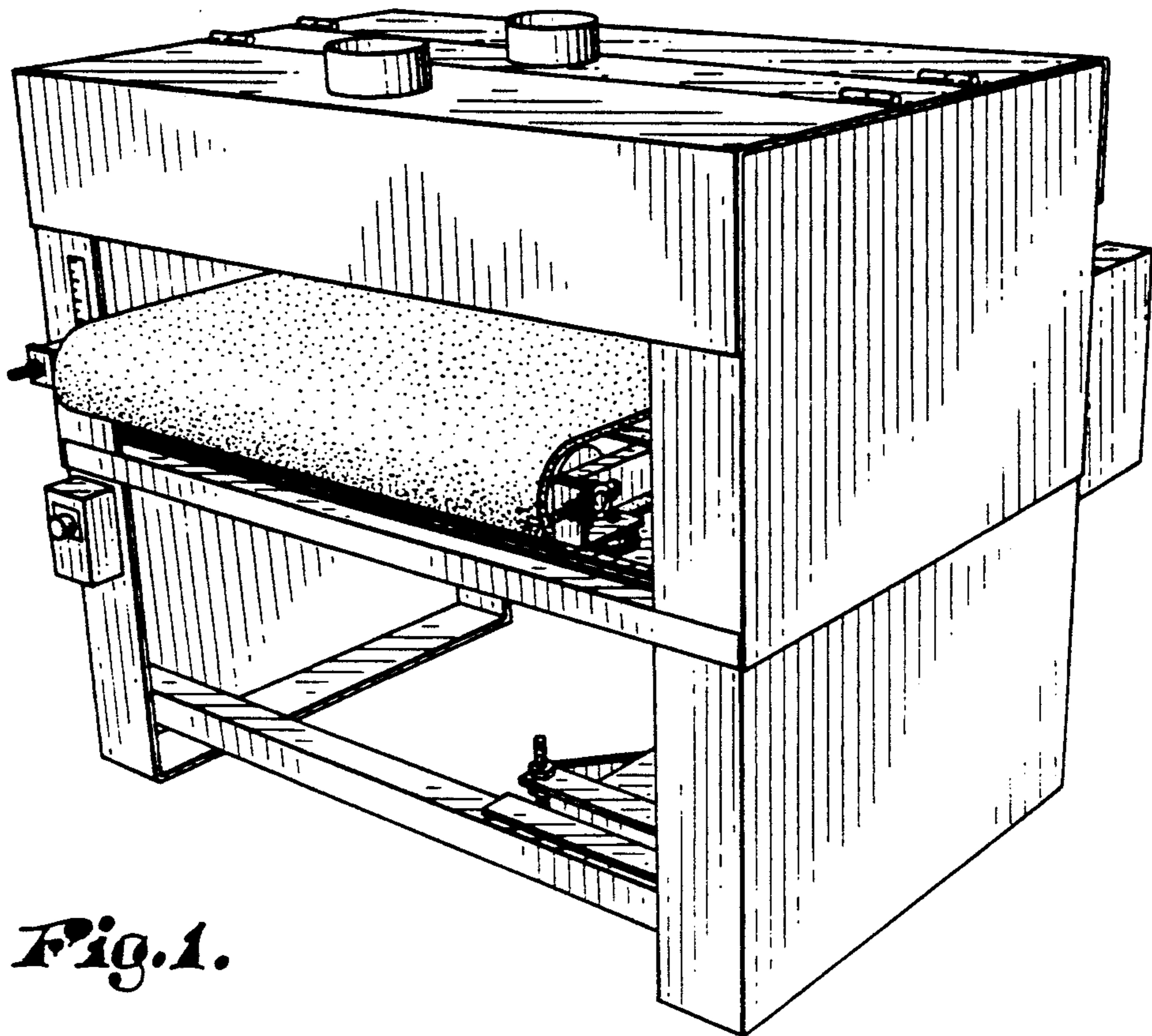


Fig. 1.

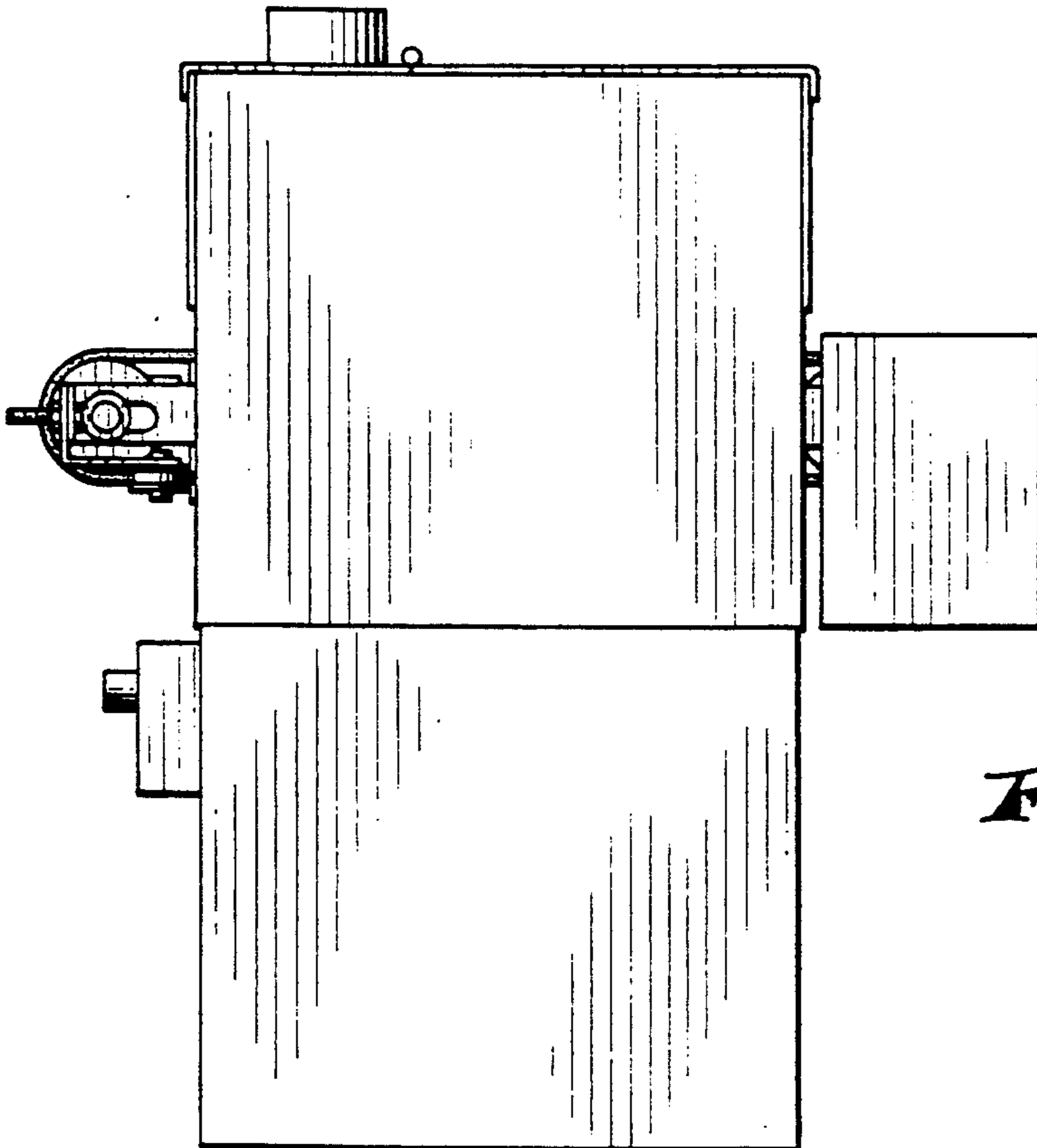


Fig. 10.

Fig. 3.

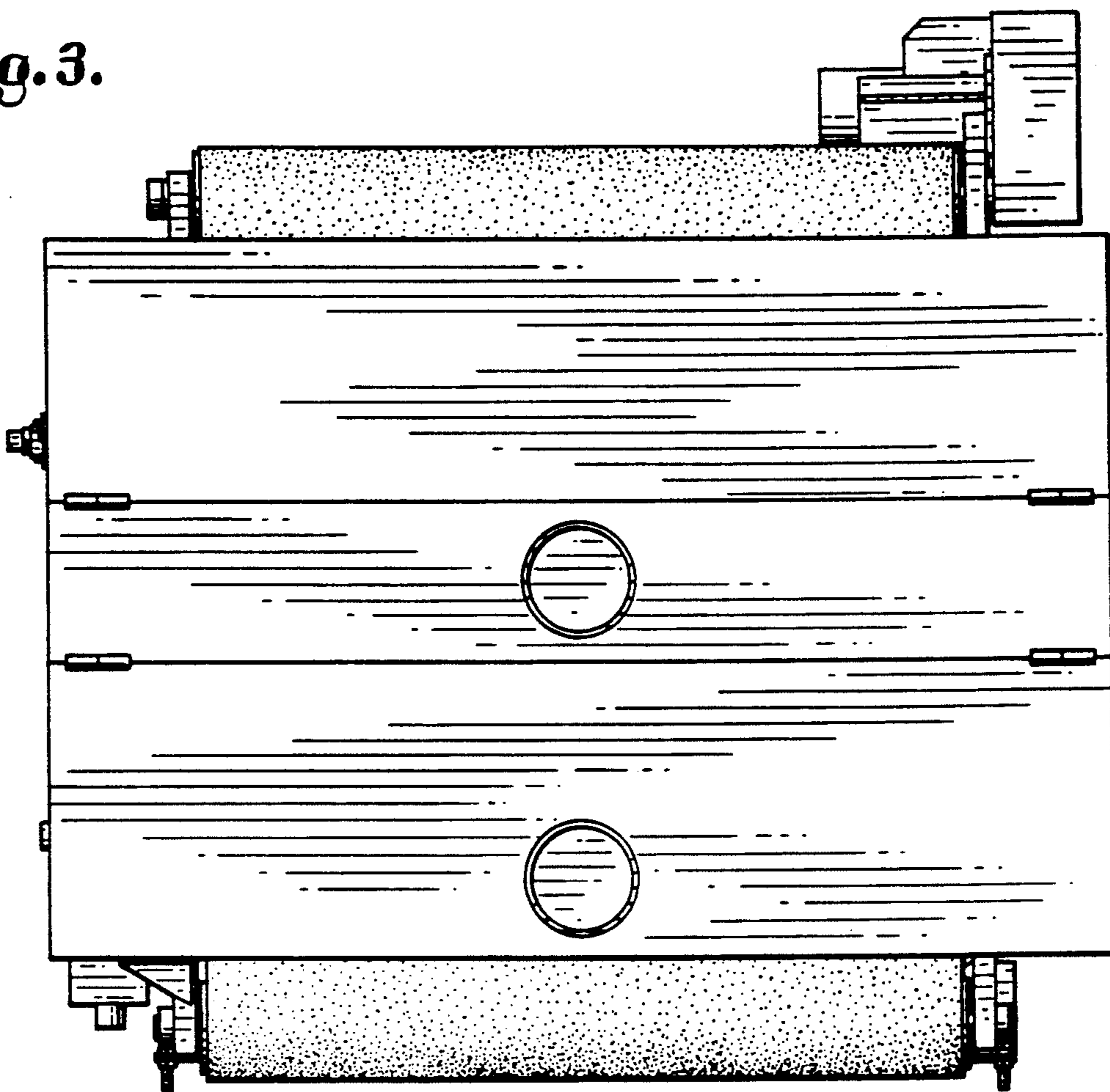
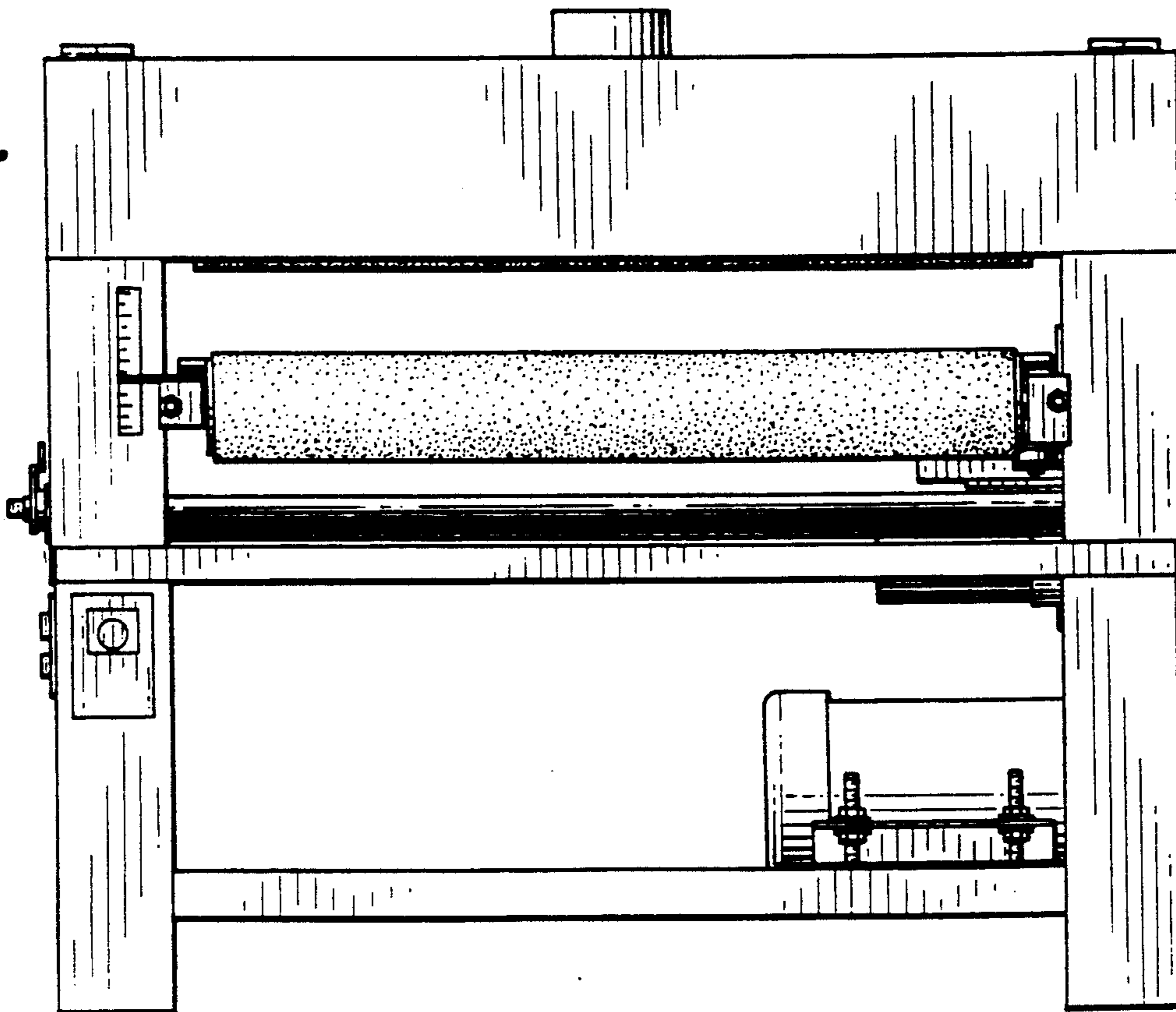


Fig. 2.



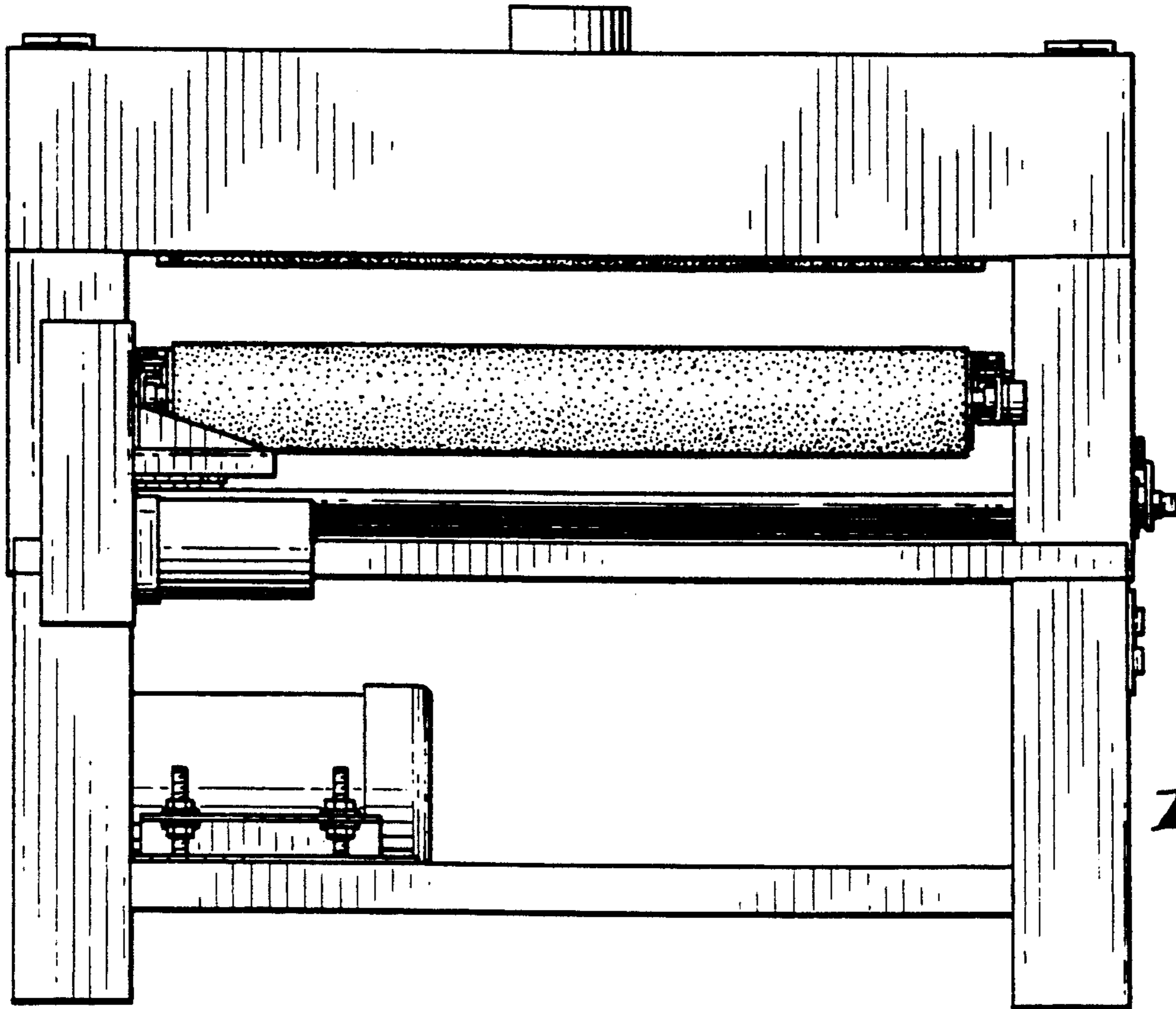


Fig. 4.

Fig. 5.

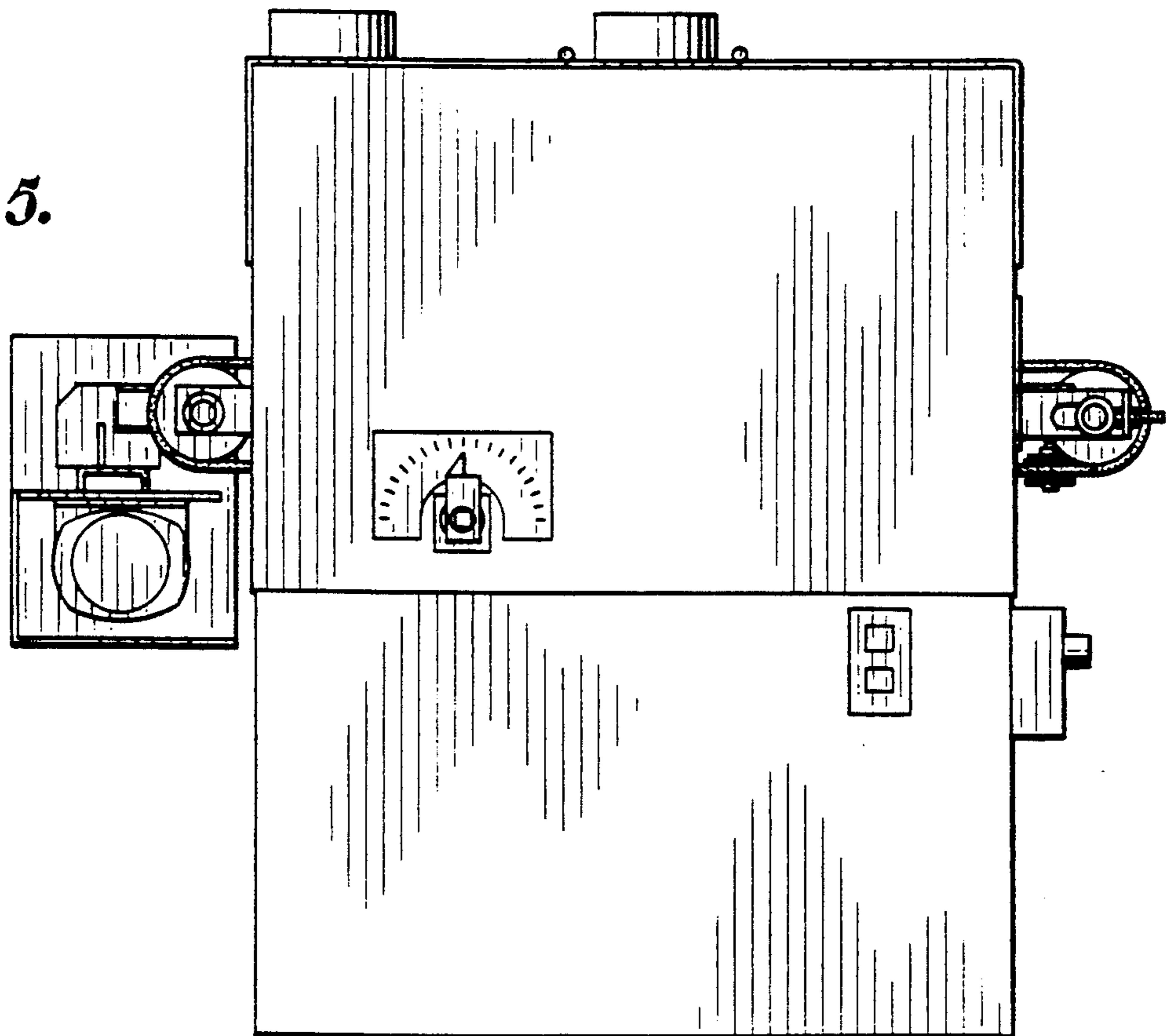


Fig. 7.

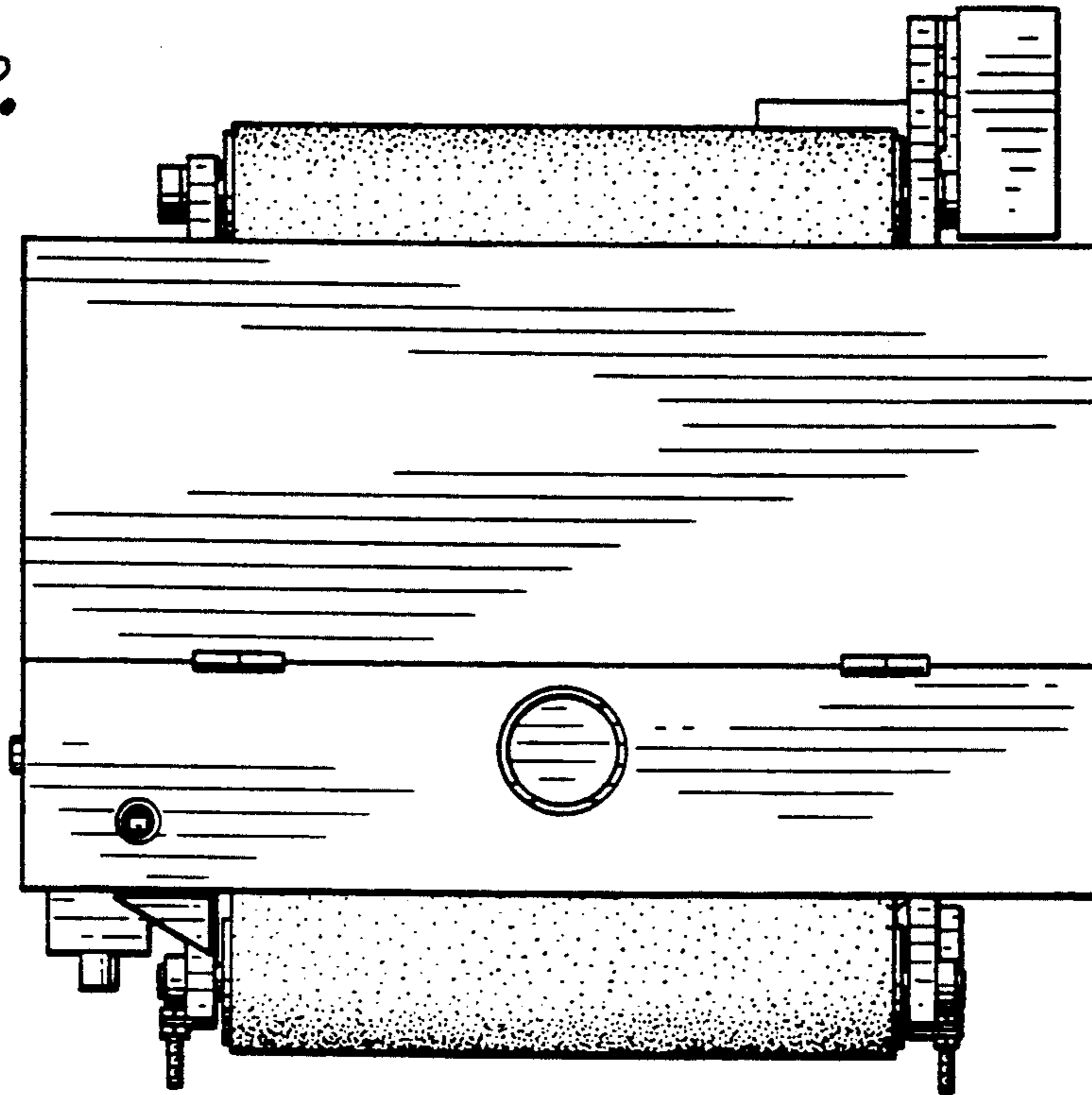
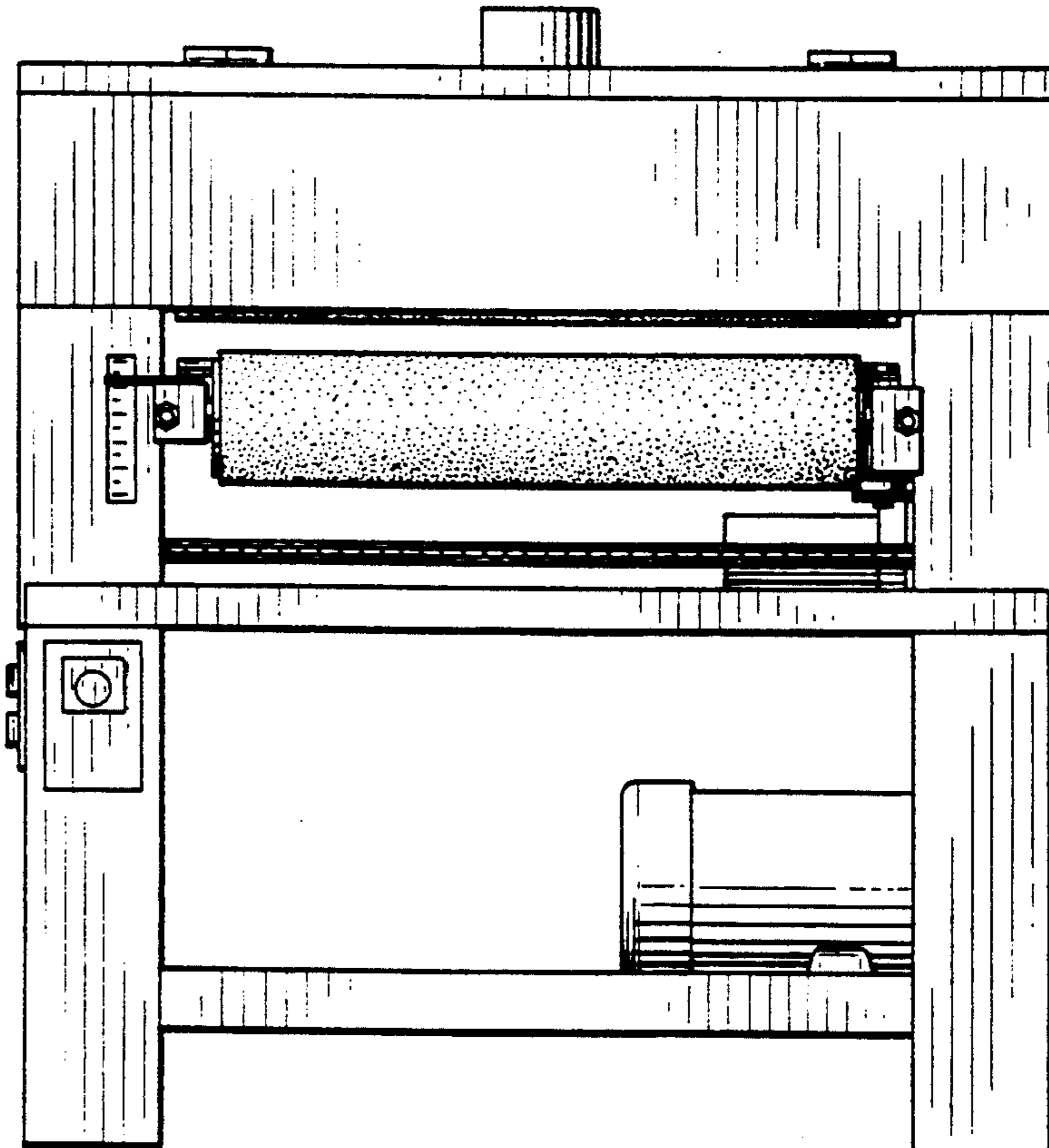


Fig. 6.



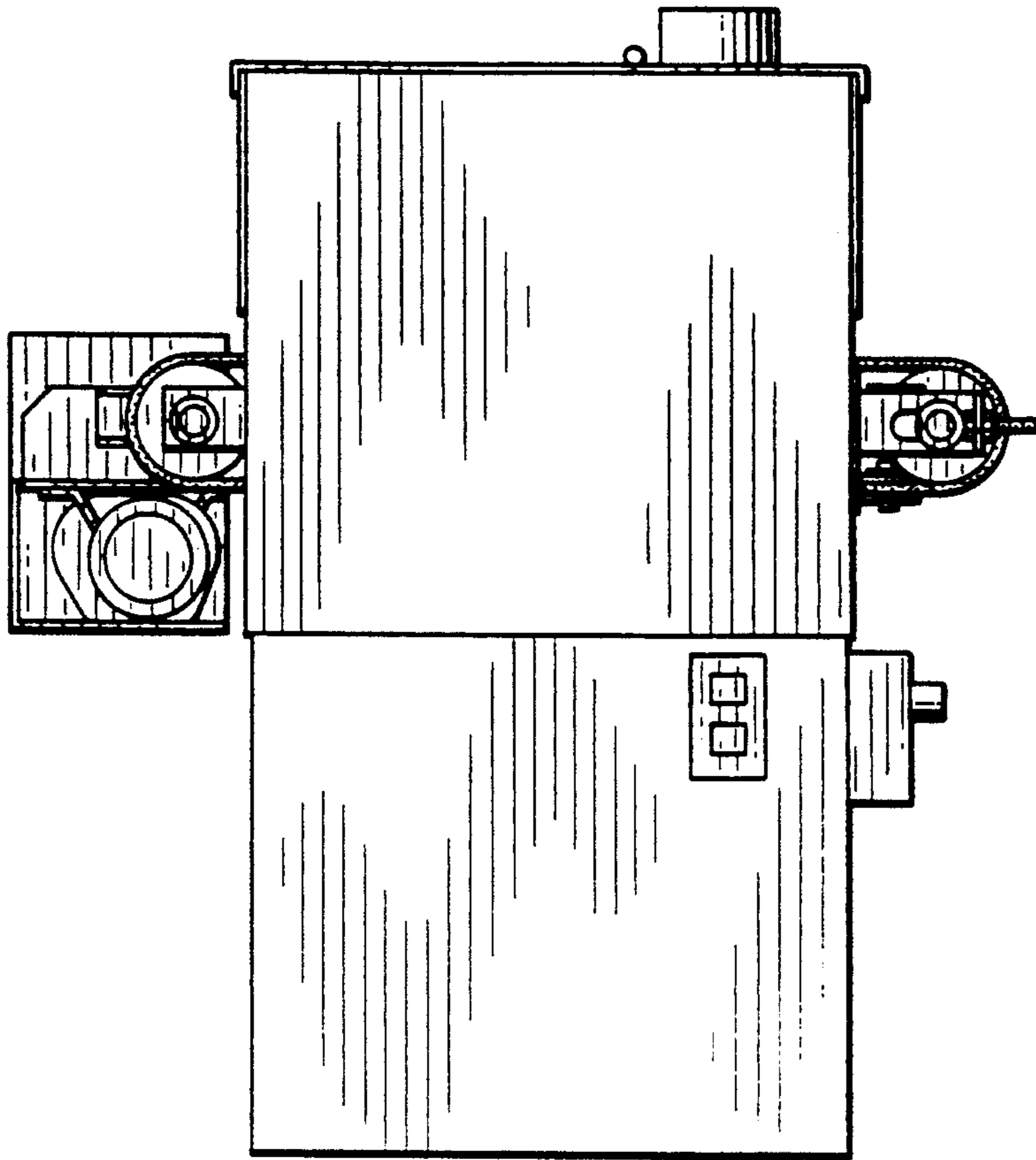


Fig. 8.

Fig. 9.

