



US00D341842S

United States Patent [19]

[11] Patent Number: **Des. 341,842**

Eichenberg et al.

[45] Date of Patent: **** Nov. 30, 1993**

[54] SHEET CUTTING DIE PRESS MACHINE

4,065,990 1/1978 Edlund 83/628 X

[76] Inventors: **LaDorna E. Eichenberg; Robert J. Eichenberg**, both of P.O. Box 8209, Newport Beach, Calif. 92658-8209

Primary Examiner—Alan P. Douglas
Assistant Examiner—Antoine D. Davis
Attorney, Agent, or Firm—Hawes & Fischer

[**] Term: **14 Years**

[57] **CLAIM**

[21] Appl. No.: **884,778**

The ornamental design for a sheet cutting die press machine, as shown and described.

[22] Filed: **May 15, 1992**

[52] U.S. Cl. **D15/123**

DESCRIPTION

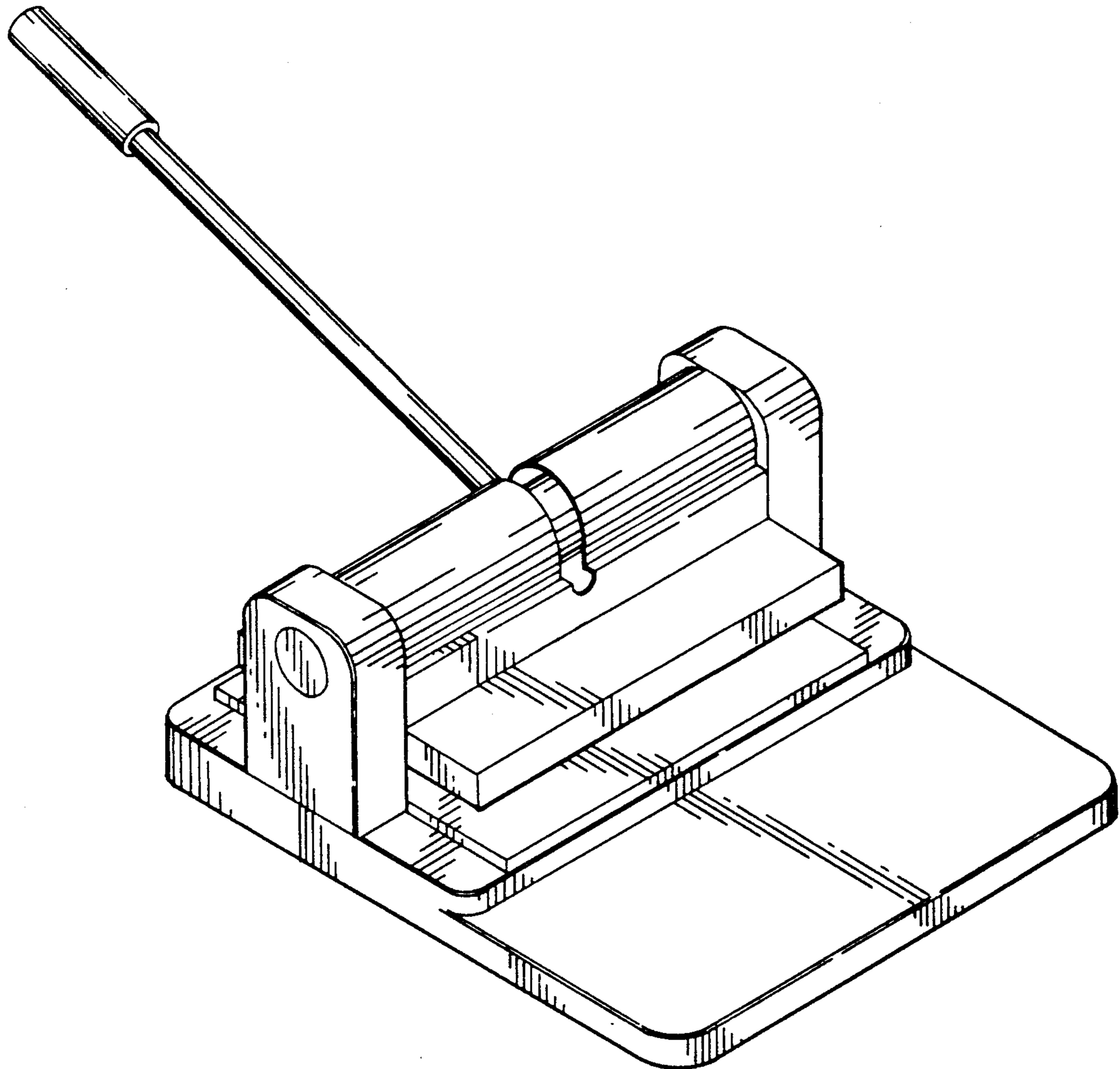
[58] Field of Search **D15/123; 83/590, 628; 100/54, 902**

FIG. 1 is a perspective view of a sheet cutting die press machine showing the new design; FIG. 2 is a top plan view thereof; FIG. 3 is a front elevational view thereof, the rear elevational view being a mirror image of the front elevational view; FIG. 4 is a bottom plan view thereof; FIG. 5 is a left side elevational view thereof; and, FIG. 6 is a right side elevational view thereof.

[56] References Cited

U.S. PATENT DOCUMENTS

- D. 254,553 3/1980 Thomas et al. D15/123
- D. 330,034 10/1992 Edstrom D15/123 X
- 385,356 7/1888 Johnson D15/123 X
- 2,638,957 5/1953 Danielson 100/902 X



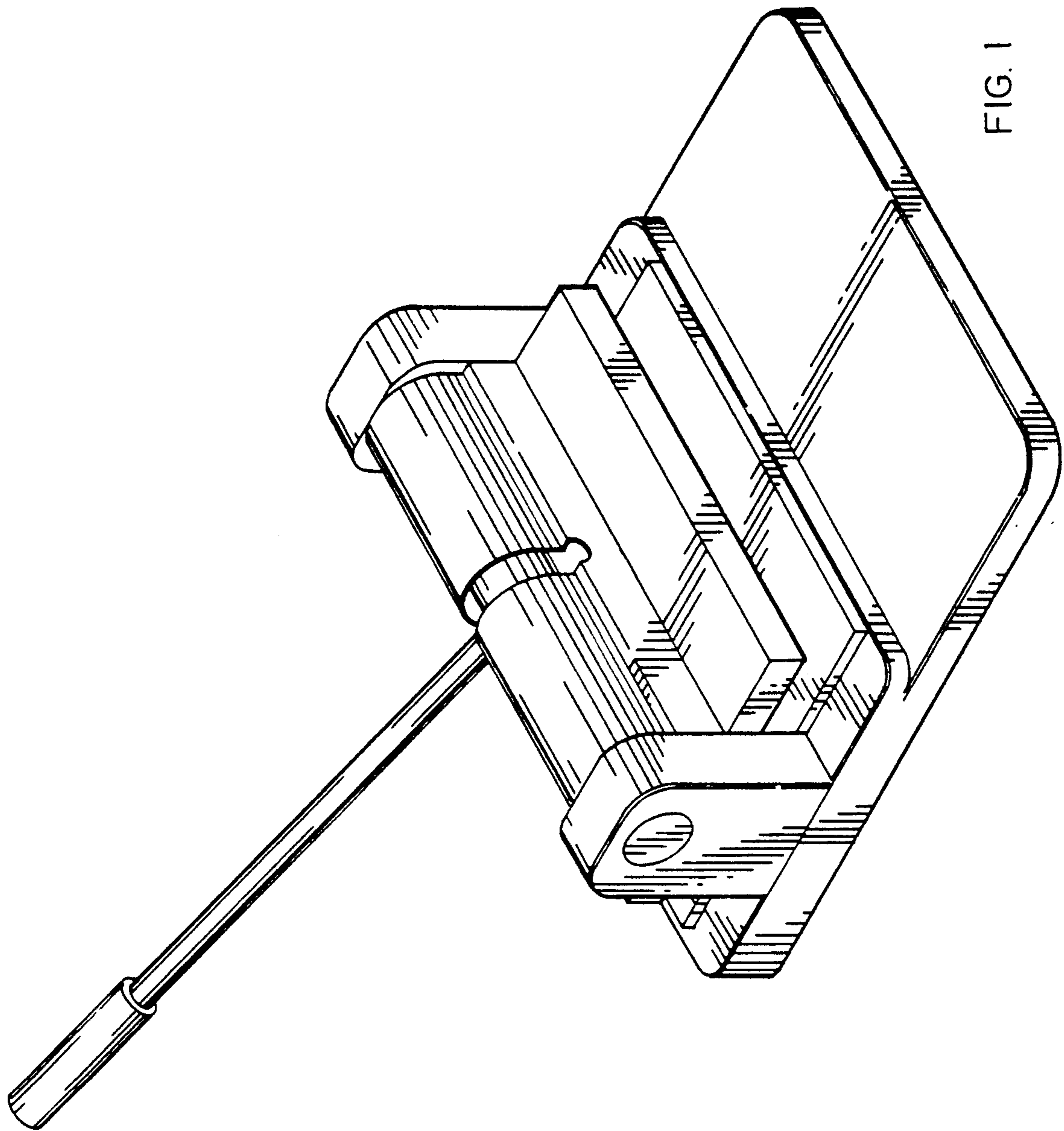


FIG. 1

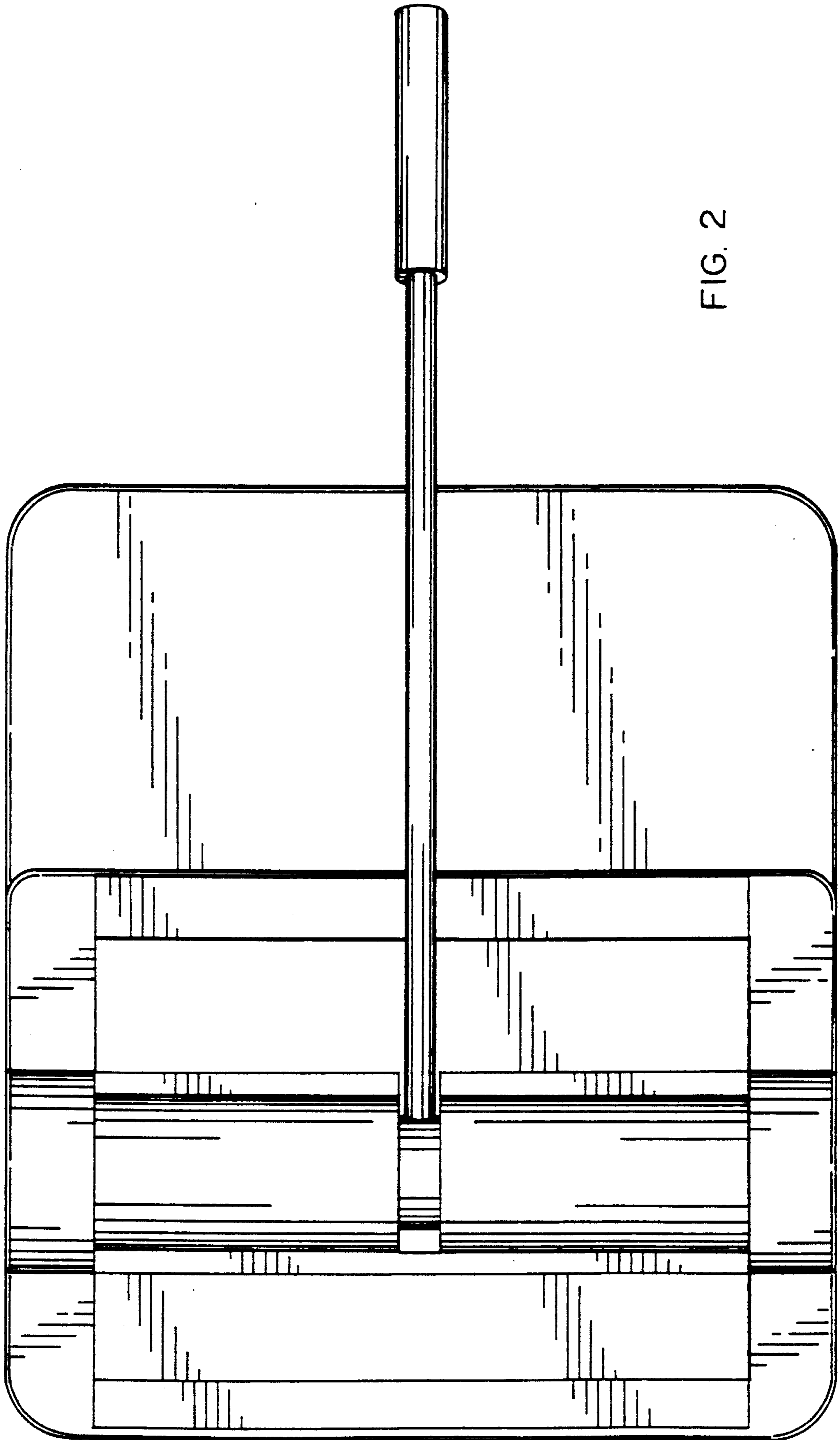


FIG. 2

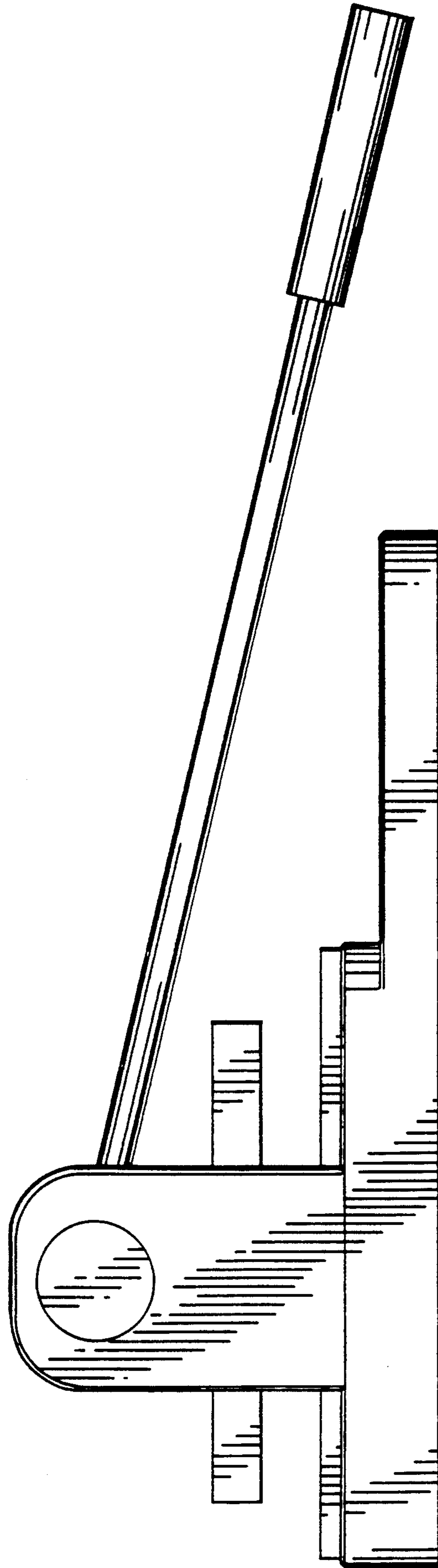


FIG. 3

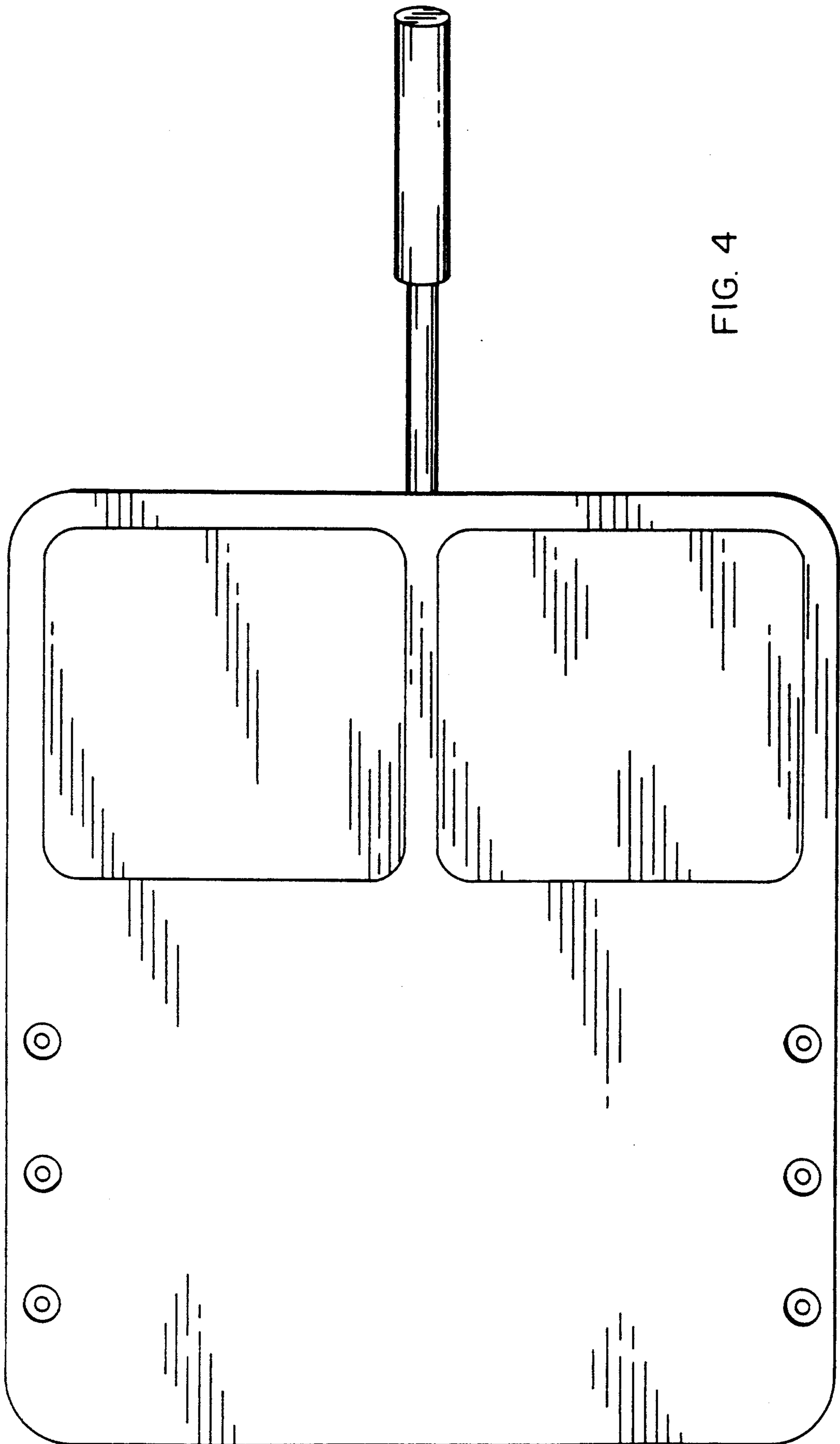


FIG. 4

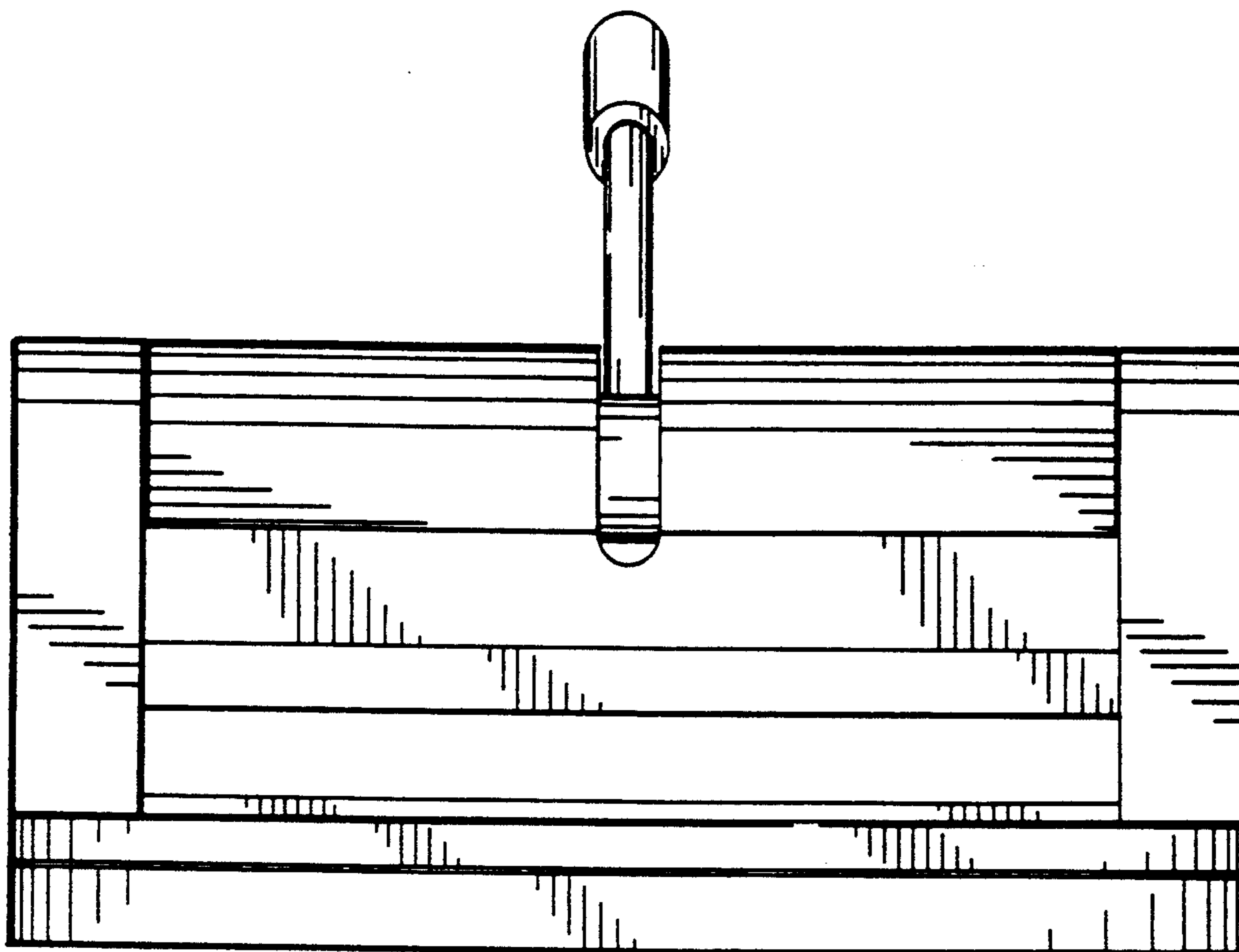


FIG. 5

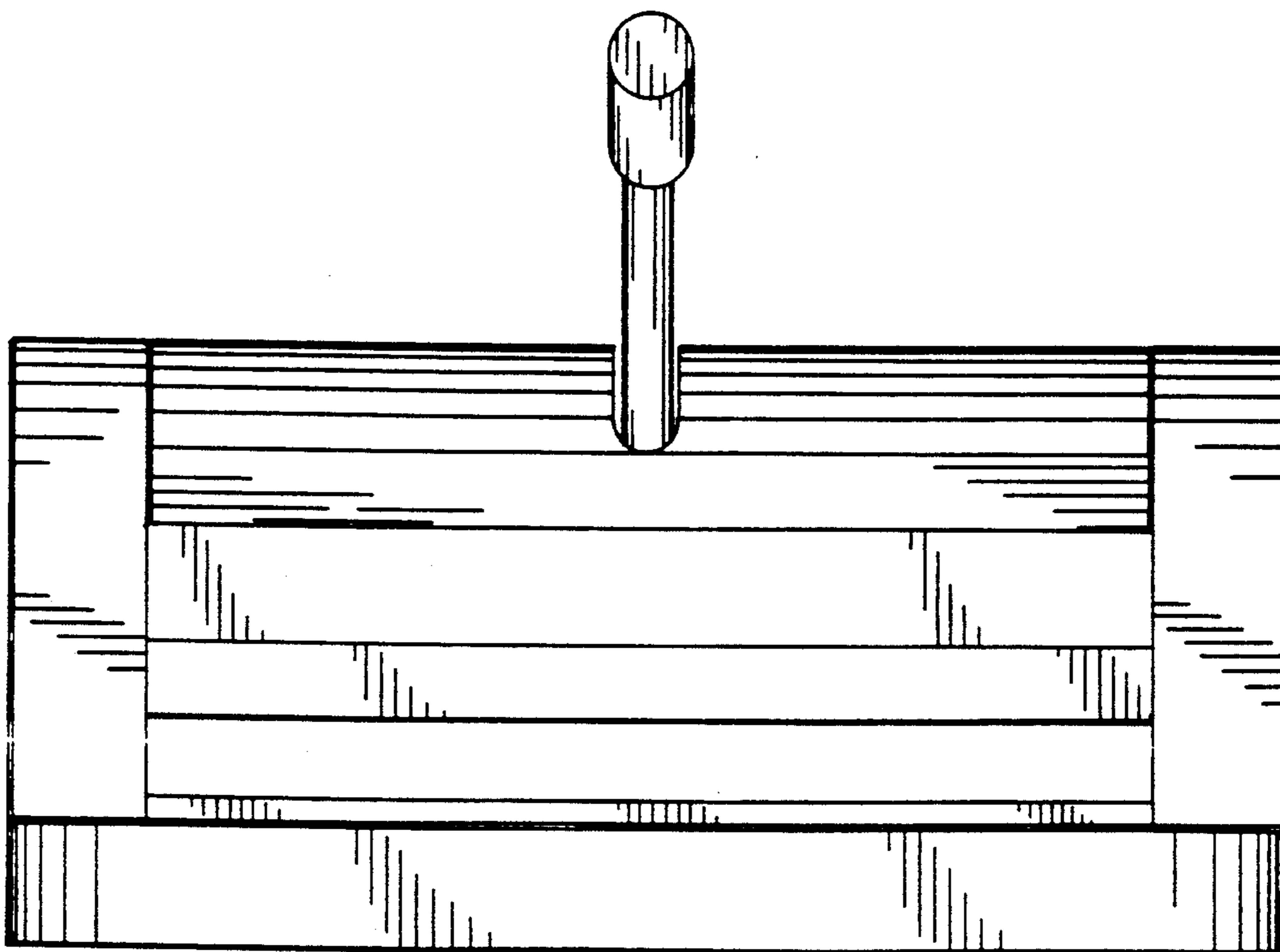


FIG. 6