



US00D341841S

# United States Patent [19]

[11] Patent Number: **Des. 341,841**

Mick

[45] Date of Patent: **\*\* Nov. 30, 1993**

[54] **AUTO LOADING CAN CRUSHER**

4,884,502 12/1989 Stacey, Jr. .... 100/233  
5,009,155 4/1991 Christianson ..... 100/902 X

[76] Inventor: **Eugene A. Mick**, 24935 County Rd.  
138, St. Cloud, Minn. 56301

*Primary Examiner*—Alan P. Douglas  
*Assistant Examiner*—Antoine D. Davis  
*Attorney, Agent, or Firm*—Leon Gilden

[\*\*] Term: **14 Years**

[21] Appl. No.: **723,544**

[57] **CLAIM**

[22] Filed: **Jul. 1, 1991**

The ornamental design for a auto loading can crusher,  
as shown and described.

[52] U.S. Cl. .... **D15/123**

[58] Field of Search ..... **D15/122, 123; 100/37,**  
**100/264, 265, 266, 267, 268, 233, 276, 283, 284,**  
**295, 296, 902**

### DESCRIPTION

[56] **References Cited**

#### U.S. PATENT DOCUMENTS

4,058,054 11/1977 Mackman ..... D15/123 X  
4,190,485 2/1980 Takeda et al. .... 100/283 X  
4,292,891 10/1981 Shelley ..... 100/295 X  
4,606,266 8/1986 Hyman, Sr. .... 100/266 X

FIG. 1 is a front elevational view of the auto loading  
can crusher showing my new design;  
FIG. 2 is a rear elevational view thereof;  
FIG. 3 is a left side elevational view thereof;  
FIG. 4 is a right side elevational view thereof;  
FIG. 5 is a top plan view thereof;  
FIG. 6 is a bottom plan view thereof; and,  
FIG. 7 is a perspective view thereof.

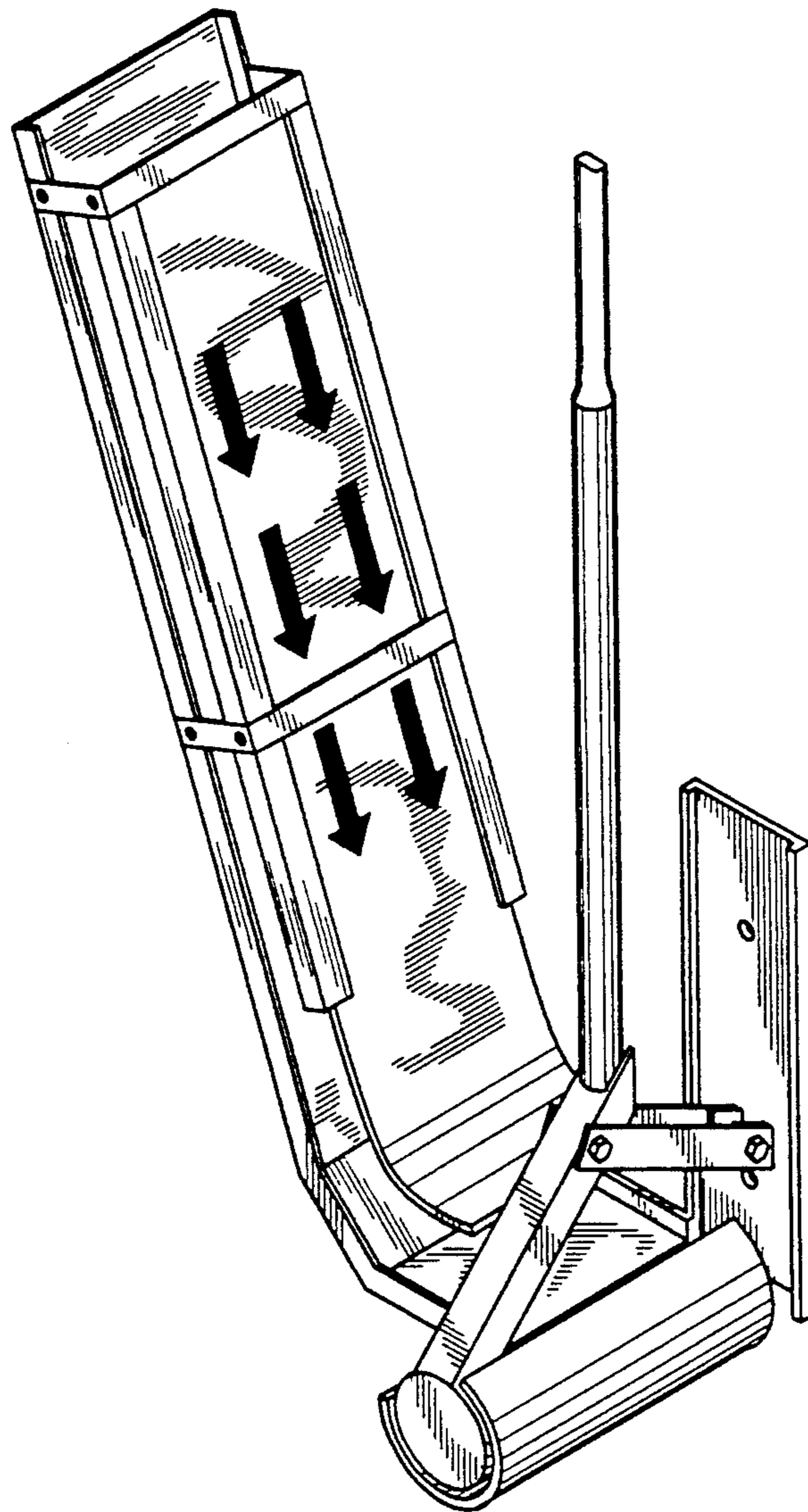


FIG. 1

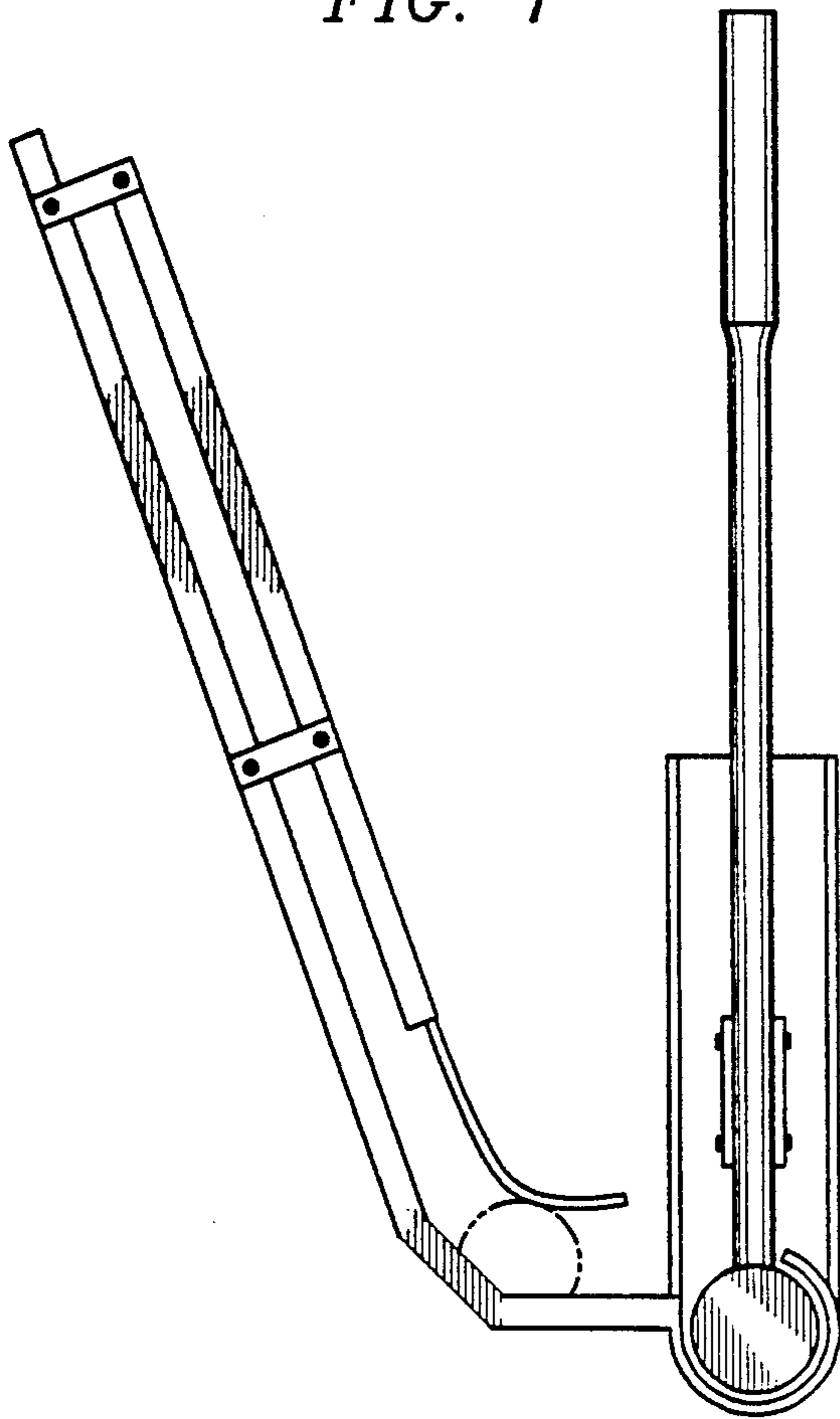


FIG. 2

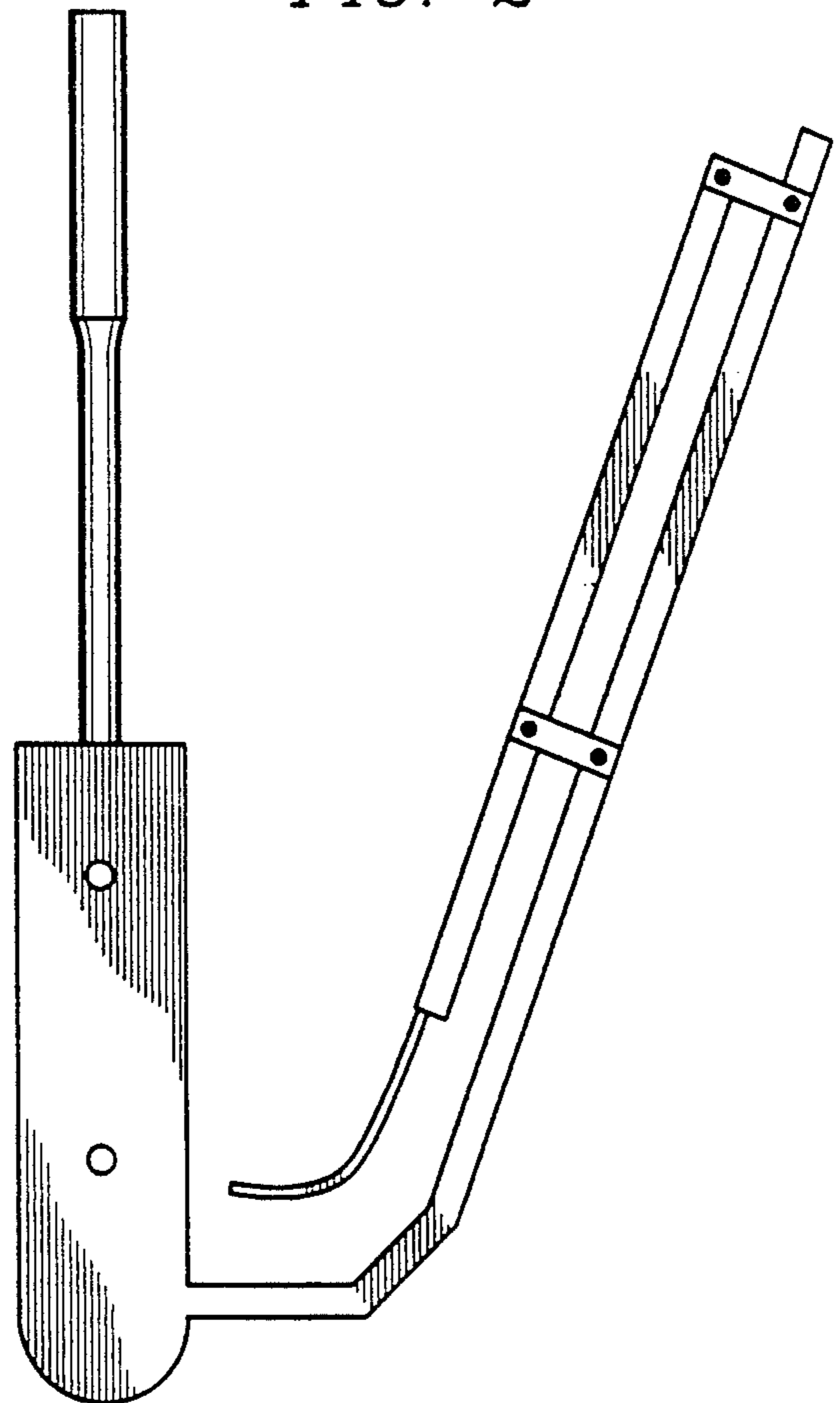


FIG. 3

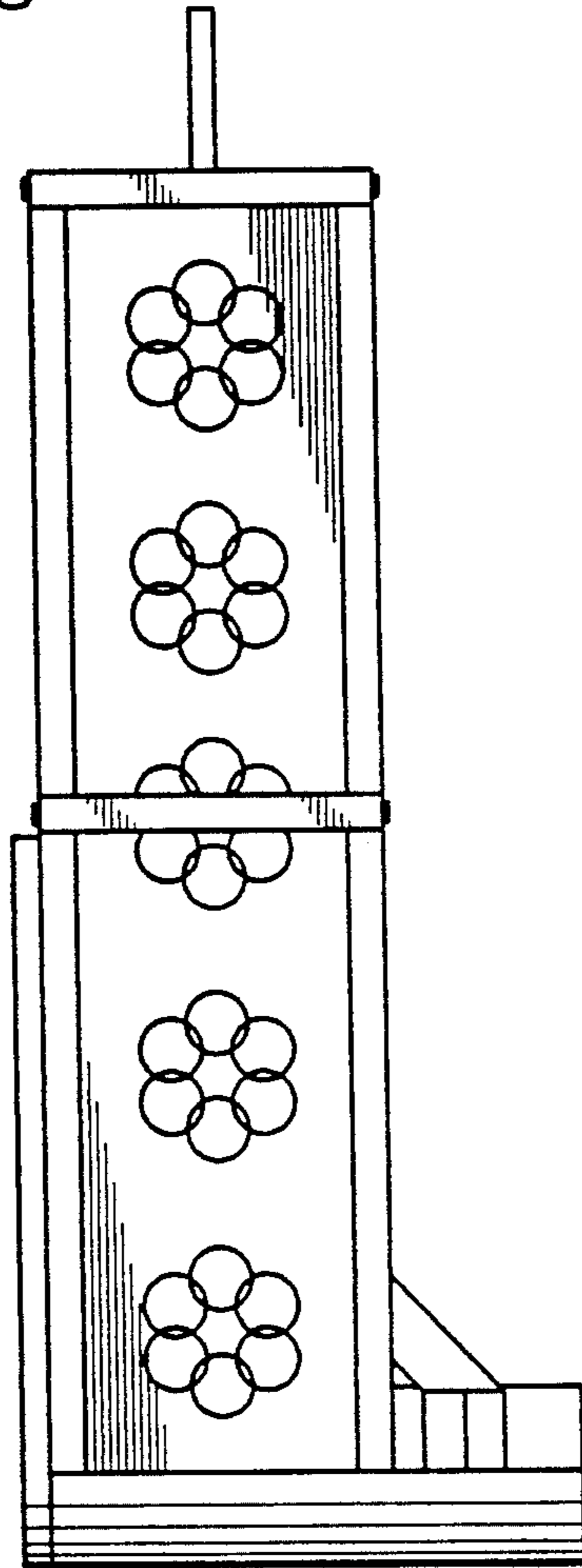


FIG. 4

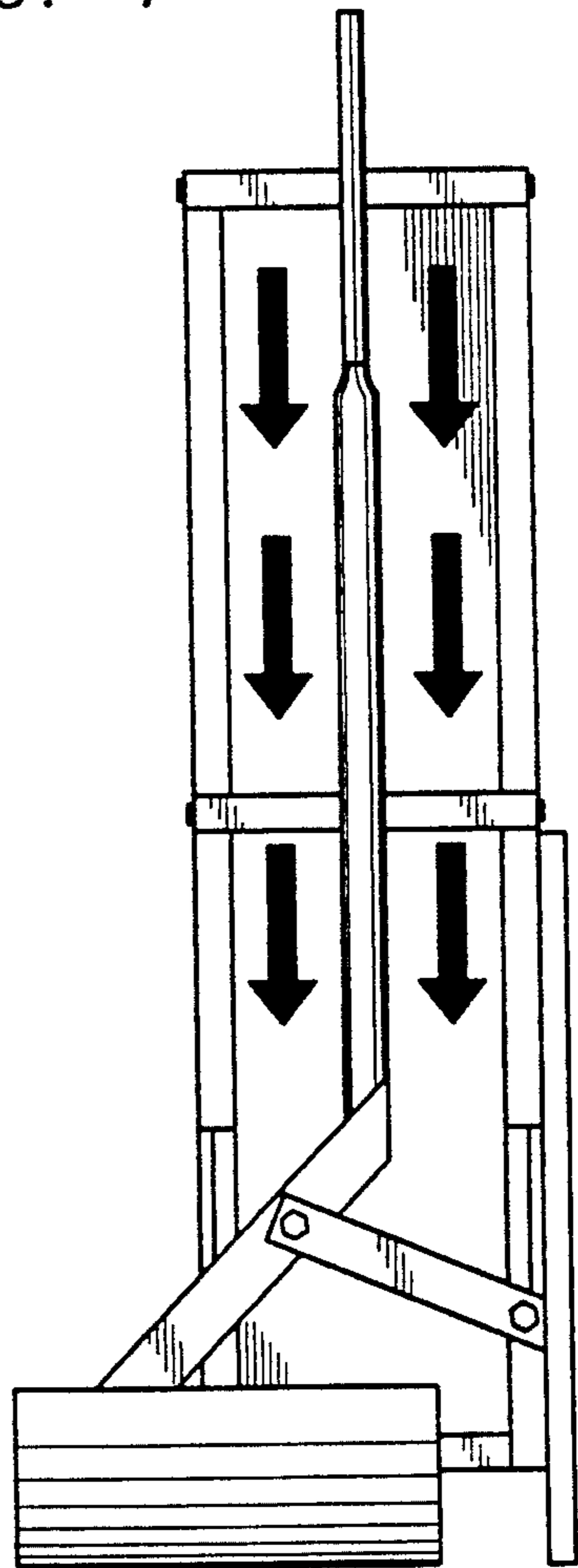


FIG. 5

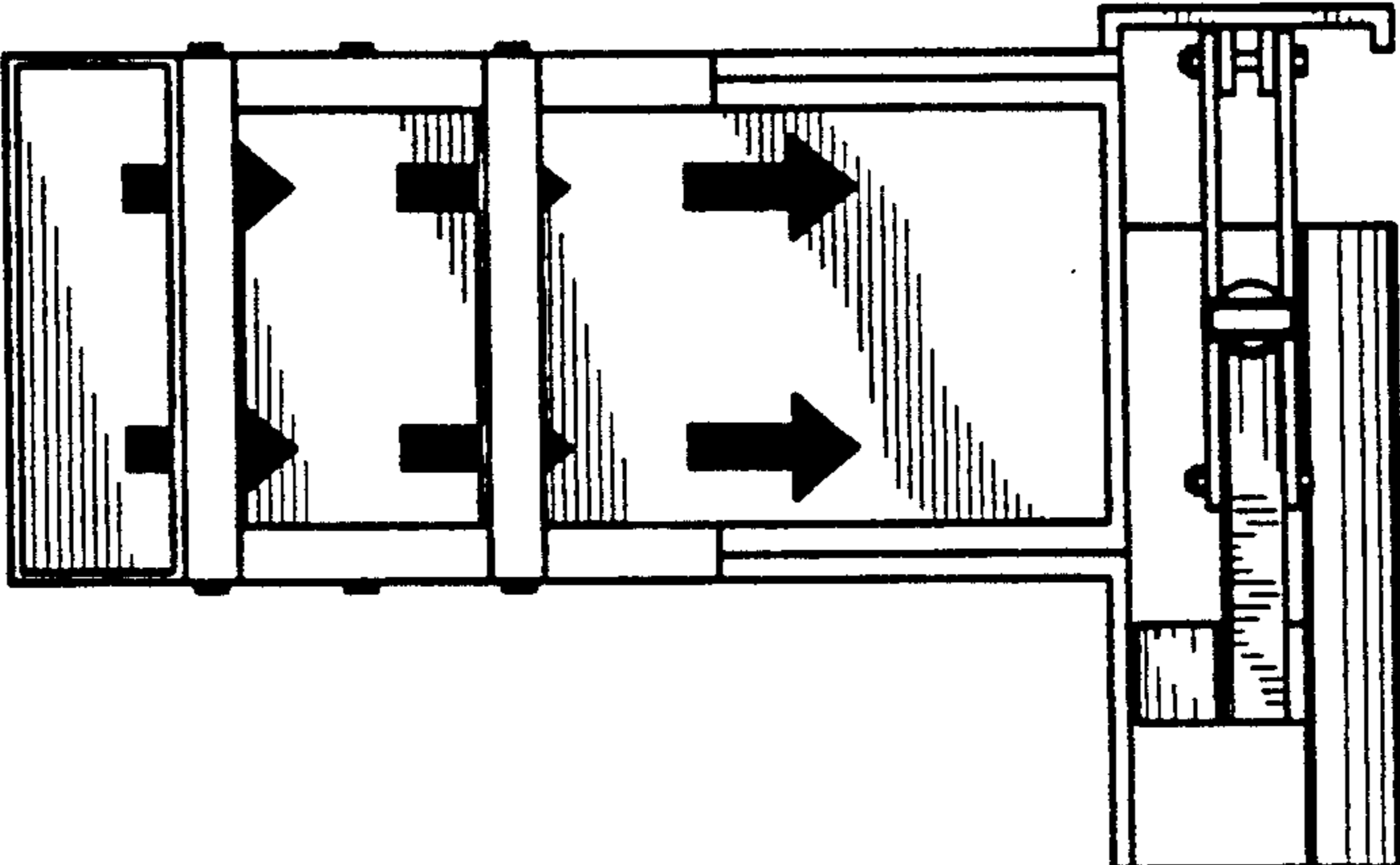


FIG. 6

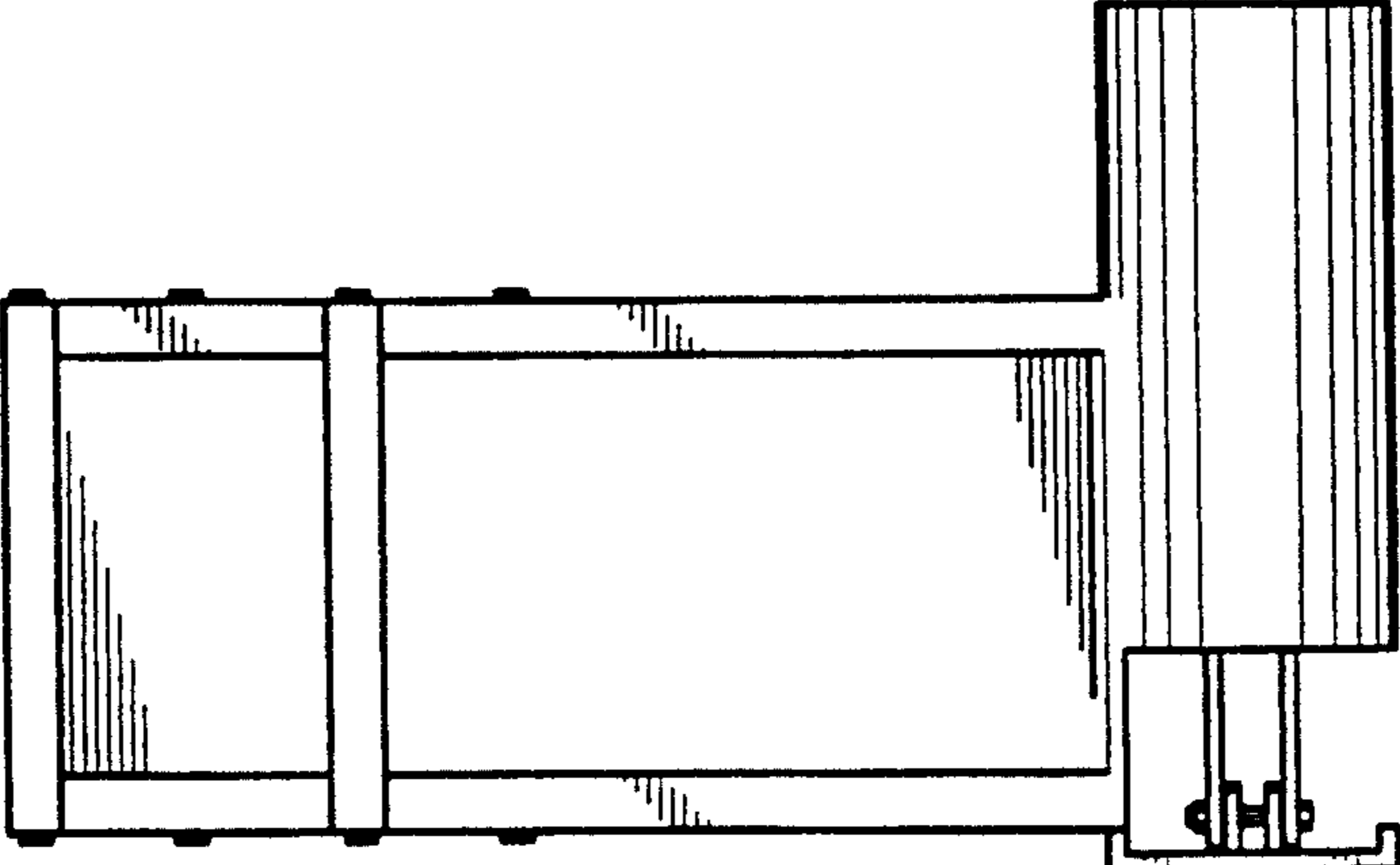


FIG. 7

