



US00D341840S

United States Patent [19]

Rodriguez et al.

[11] Patent Number: **Des. 341,840**

[45] Date of Patent: **** Nov. 30, 1993**

[54] ALUMINUM CAN COMPACTOR

[56]

References Cited

U.S. PATENT DOCUMENTS

4,469,284 9/1984 Brubaker et al. D15/123 X
4,648,786 3/1987 Sakurai D15/123 X

[76] Inventors: **Macario V. Rodriguez**, Star Route
Box 954, McKittrick, Calif. 93251;
Ted V. Arviso, 228 Hayslett Ave.,
Bakersfield, Calif. 93307

Primary Examiner—Alan P. Douglas
Assistant Examiner—Antoine D. Davis
Attorney, Agent, or Firm—Leon Gilden

[**] Term: **14 Years**

[57] CLAIM

The ornamental design for a aluminum can compactor, as shown and described.

[21] Appl. No.: **677,958**

DESCRIPTION

[22] Filed: **Apr. 1, 1991**

[52] U.S. Cl. **D15/123**

[58] Field of Search **D15/122, 123; 100/37,**
100/233, 264, 265, 266, 267, 268, 276, 283, 294,
295, 902

FIG. 1 is a front elevational view of the aluminum can compactor showing my new design;
FIG. 2 is a rear elevational view thereof;
FIG. 3 is a left side elevational view thereof;
FIG. 4 is a right side elevational view thereof;
FIG. 5 is a top plan view thereof; and,
FIG. 6 is a bottom plan view thereof.

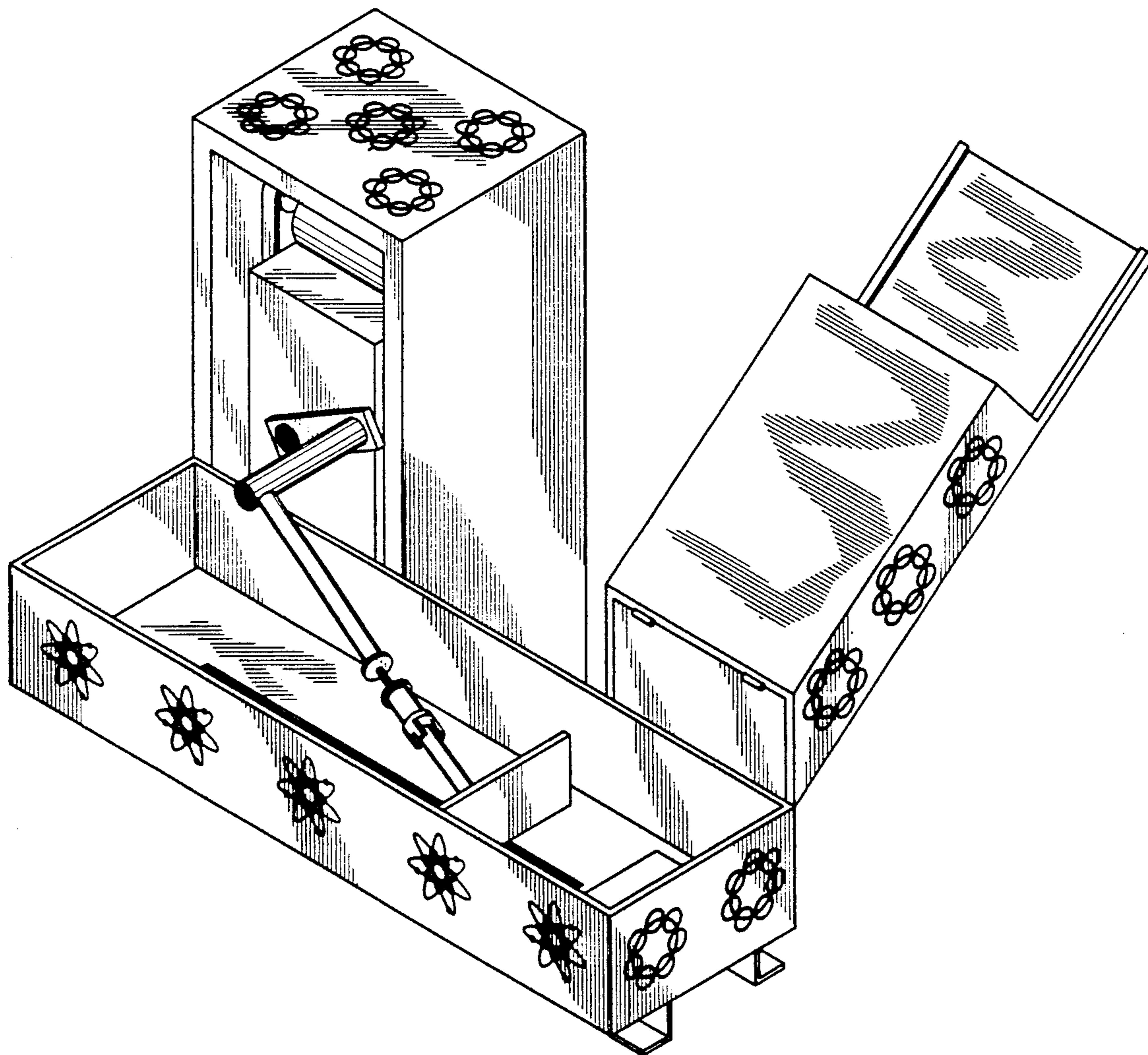


FIG. 1

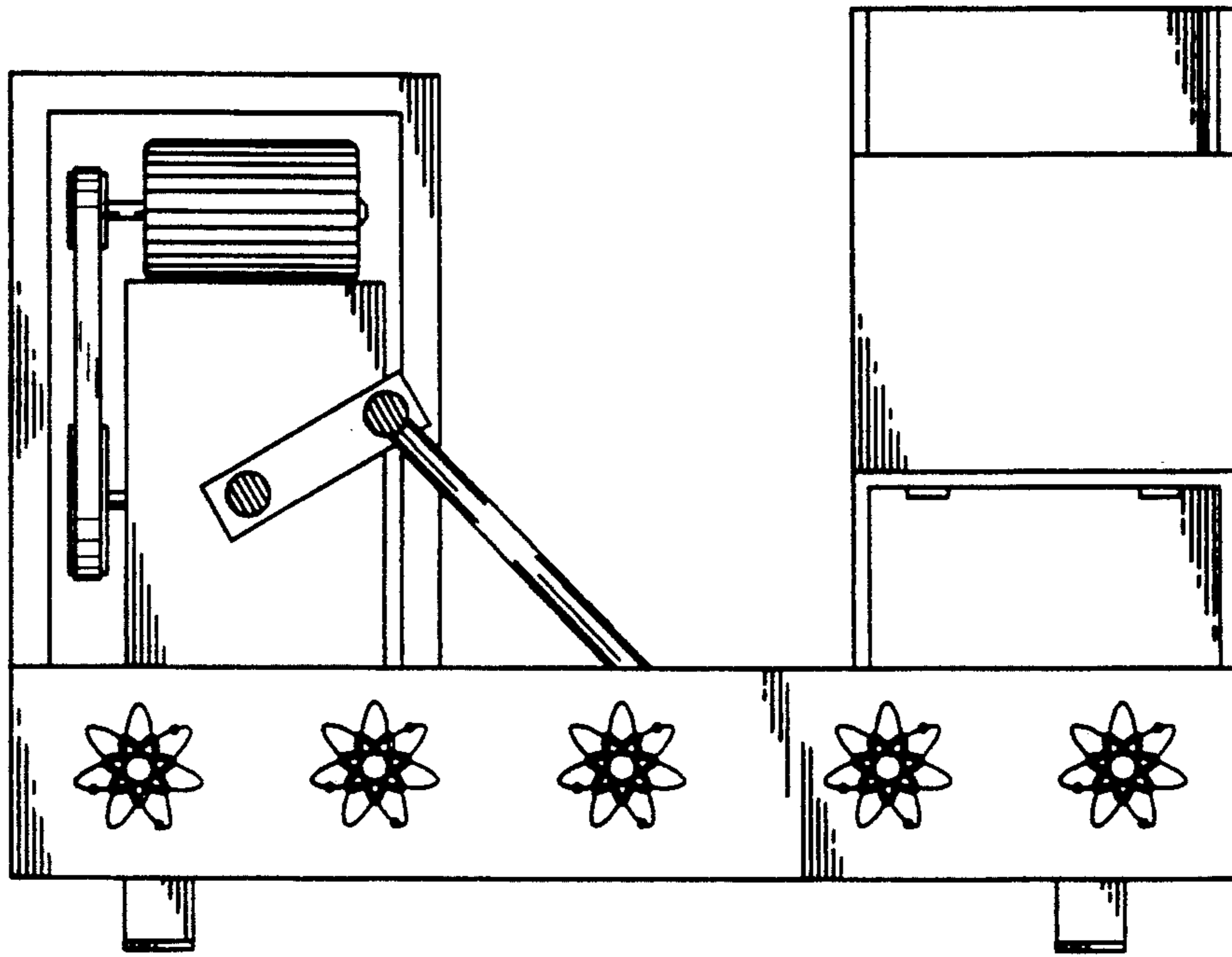


FIG. 2

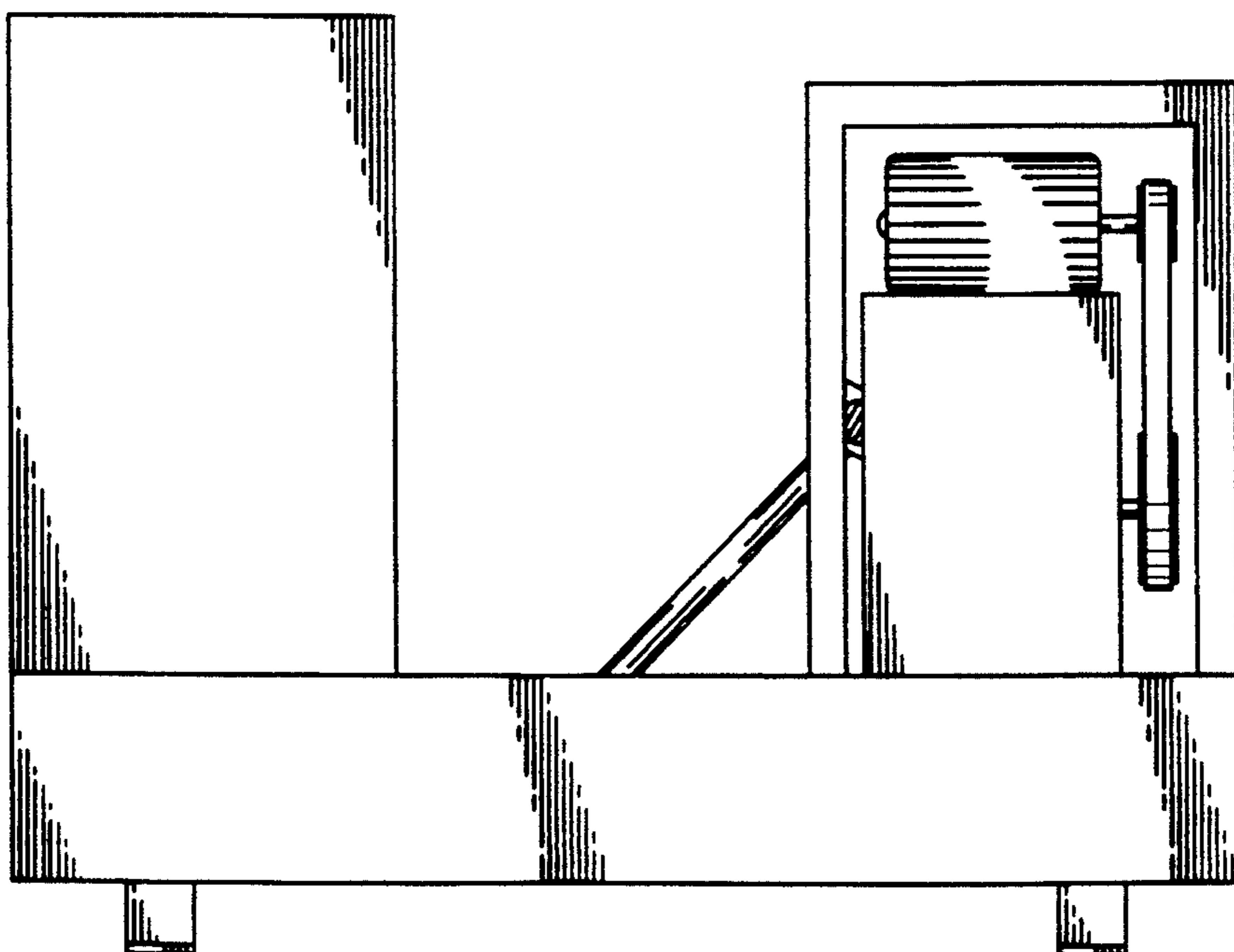


FIG. 3

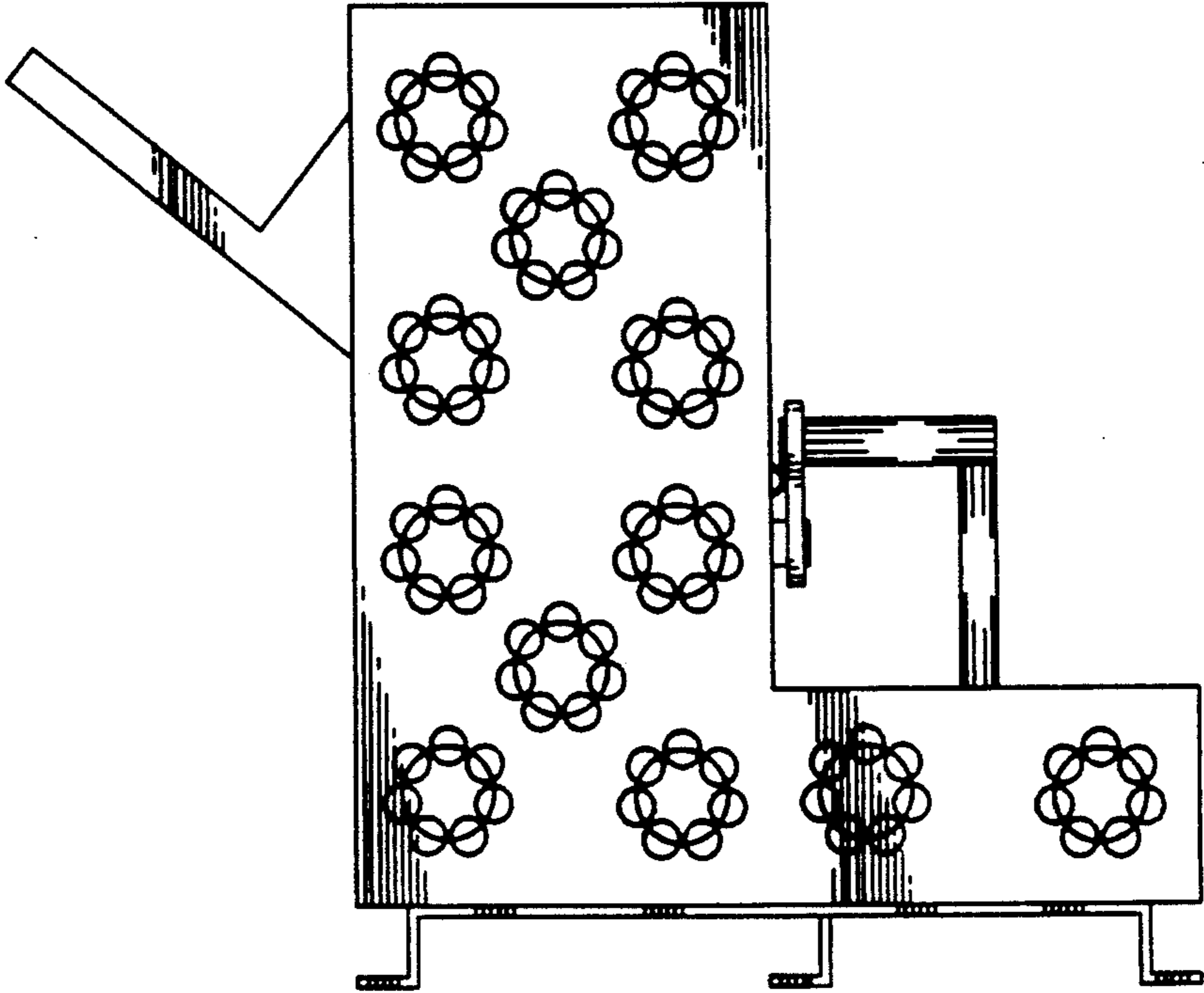


FIG. 4

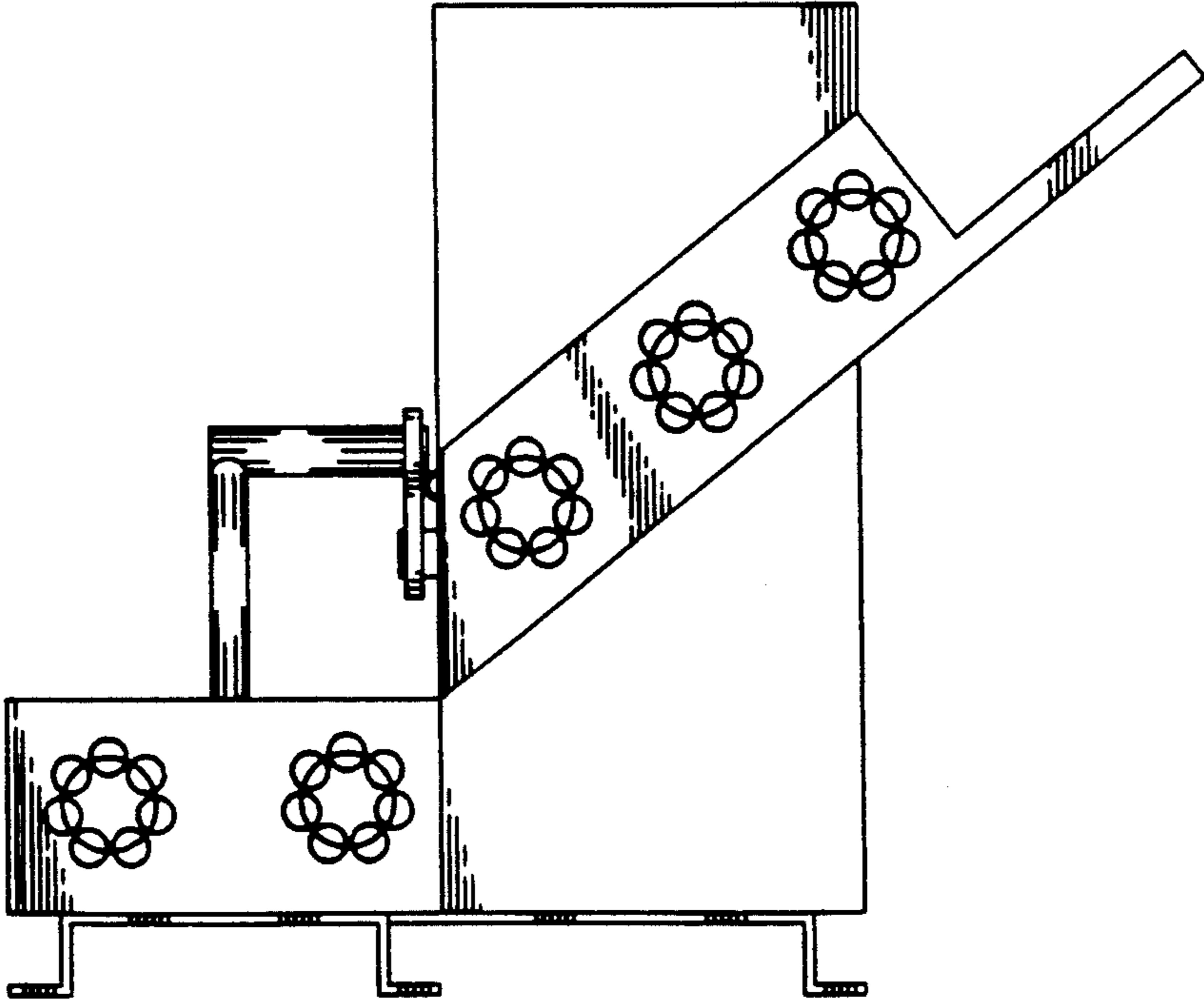


FIG. 5

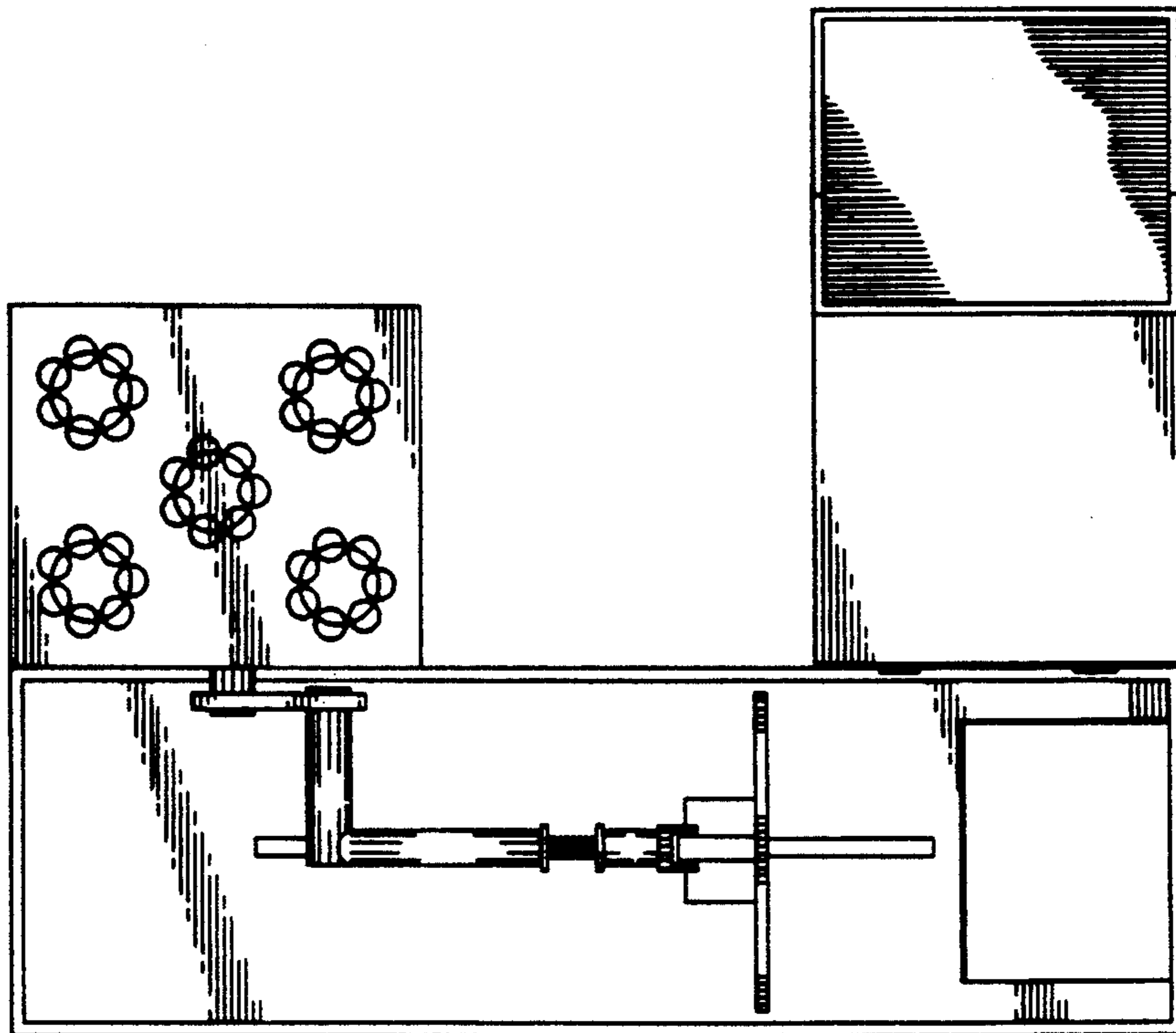


FIG. 6

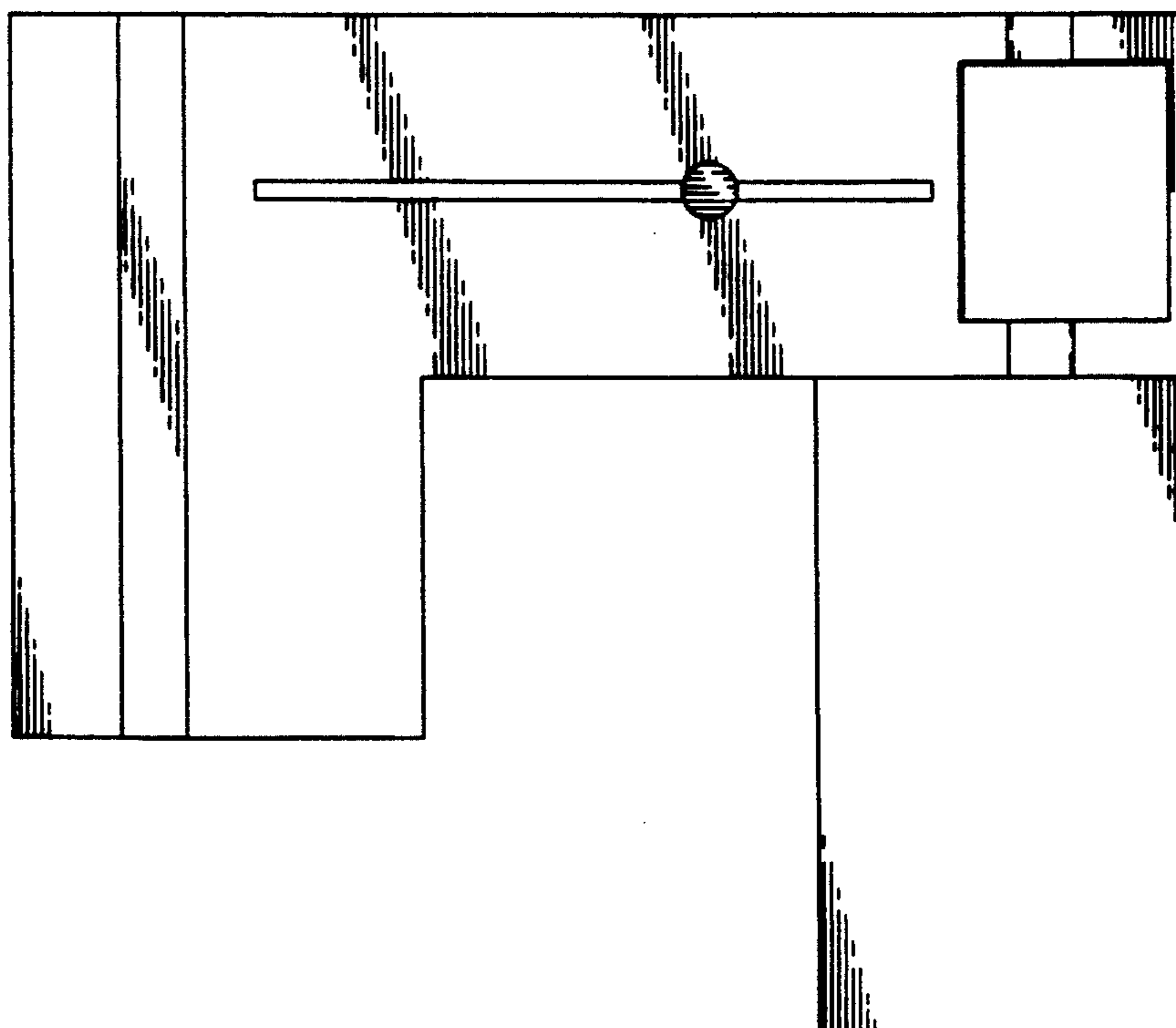


FIG. 7

