



US00D341831S

# United States Patent [19]

[11] Patent Number: **Des. 341,831**

**Mozdzanowski**

[45] Date of Patent: **\*\* Nov. 30, 1993**

[54] **RADIO-EQUIPPED TELESCOPING UMBRELLA WITH SOLAR COLLECTORS**

4,832,304	5/1989	Morgulis	135/16
4,867,187	9/1989	Divine	135/16
4,915,670	4/1990	Nesbit	455/344
5,046,699	9/1991	Perreaun et al.	135/16
5,143,108	9/1992	Kenney	135/16

[76] Inventor: **Peter Mozdzanowski, 238 Maple St., #B-3, Agawam, Mass. 01001**

[\*\*] Term: **14 Years**

*Primary Examiner*—B. J. Bullock  
*Attorney, Agent, or Firm*—S. Pal Asija

[21] Appl. No.: **709,430**

[57] **CLAIM**

[22] Filed: **Jun. 3, 1991**

The ornamental design for a radio-equipped telescoping umbrella with solar collectors, as shown.

[52] U.S. Cl. .... **D14/168; D3/5; D14/188; D14/198**

[58] Field of Search ..... **D14/168, 188, 189, 197, D14/198; D3/5; D13/102; 455/343, 351, 344; 135/16, 96, 98**

**DESCRIPTION**

[56] **References Cited**

**U.S. PATENT DOCUMENTS**

1,683,270	9/1928	Taylor et al.	455/351
4,628,791	12/1986	Phipps	135/16

FIG. 1 is a front view of the design with the handles in the extended position, the pole shown broken away to indicate indeterminate length;

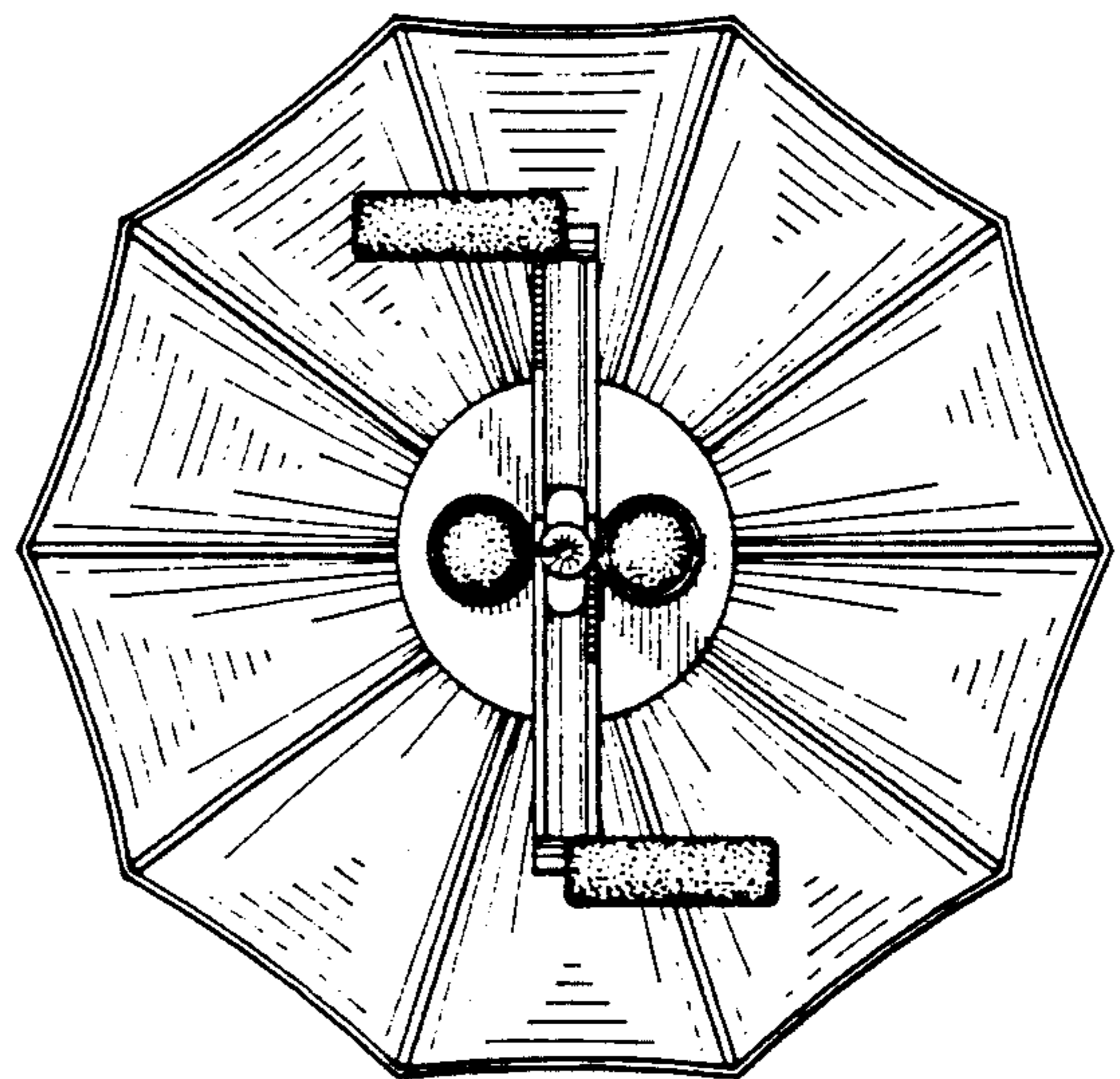
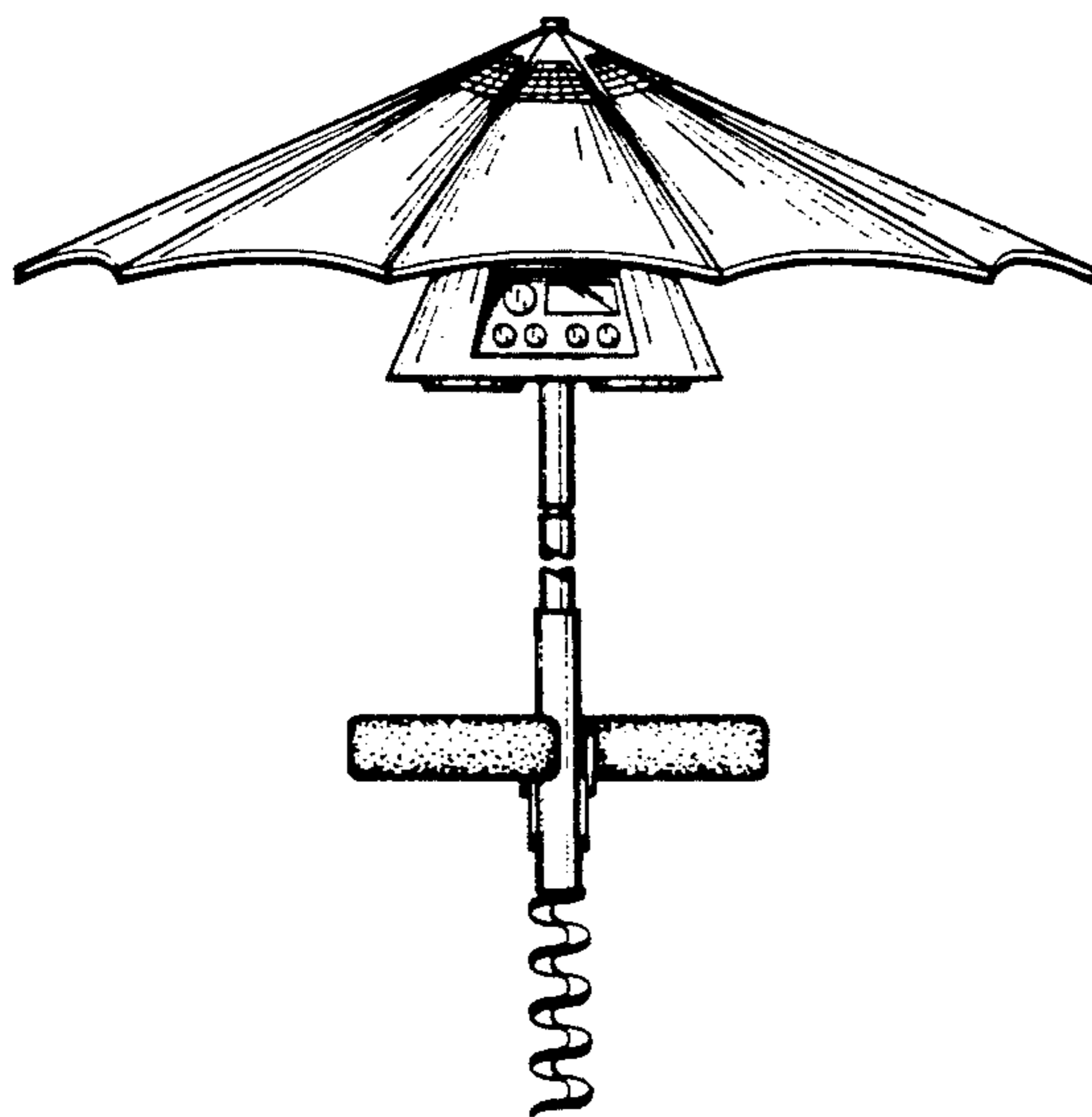
FIG. 2 is a rear view thereof;

FIG. 3 is a left side view thereof;

FIG. 4 is a right side view thereof;

FIG. 5 is a top view thereof; and,

FIG. 6 is a bottom view thereof.



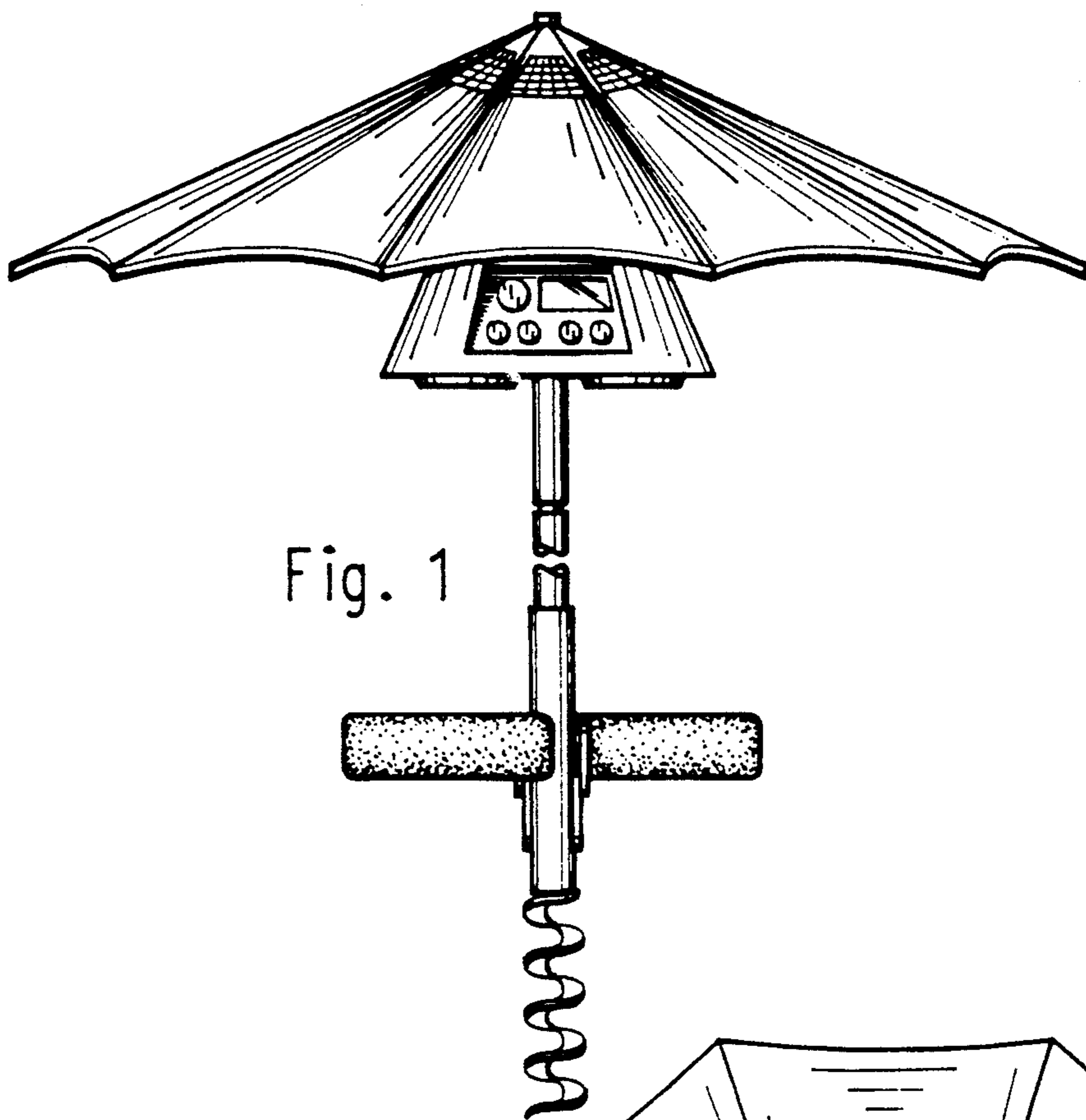


Fig. 1

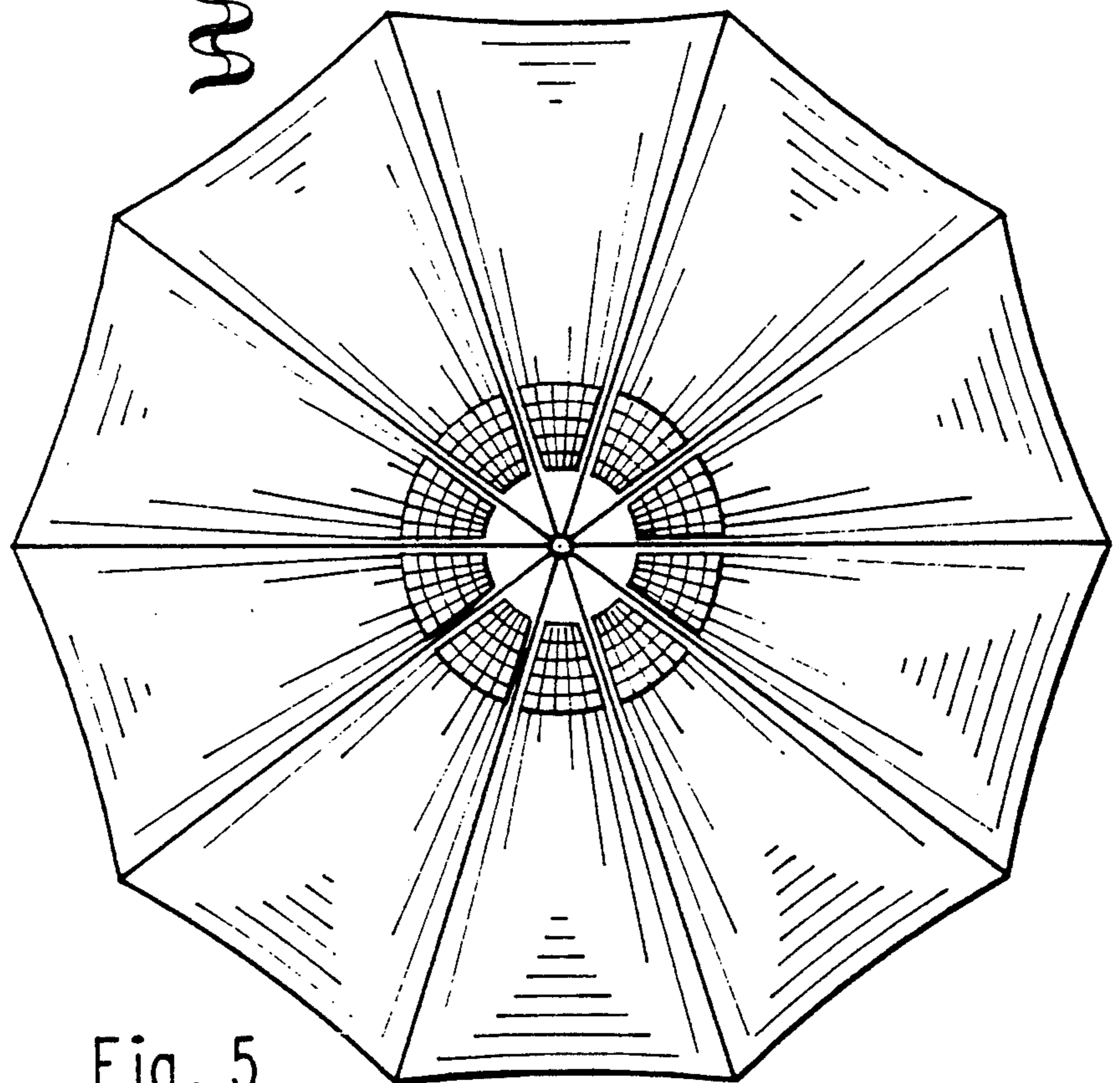


Fig. 5

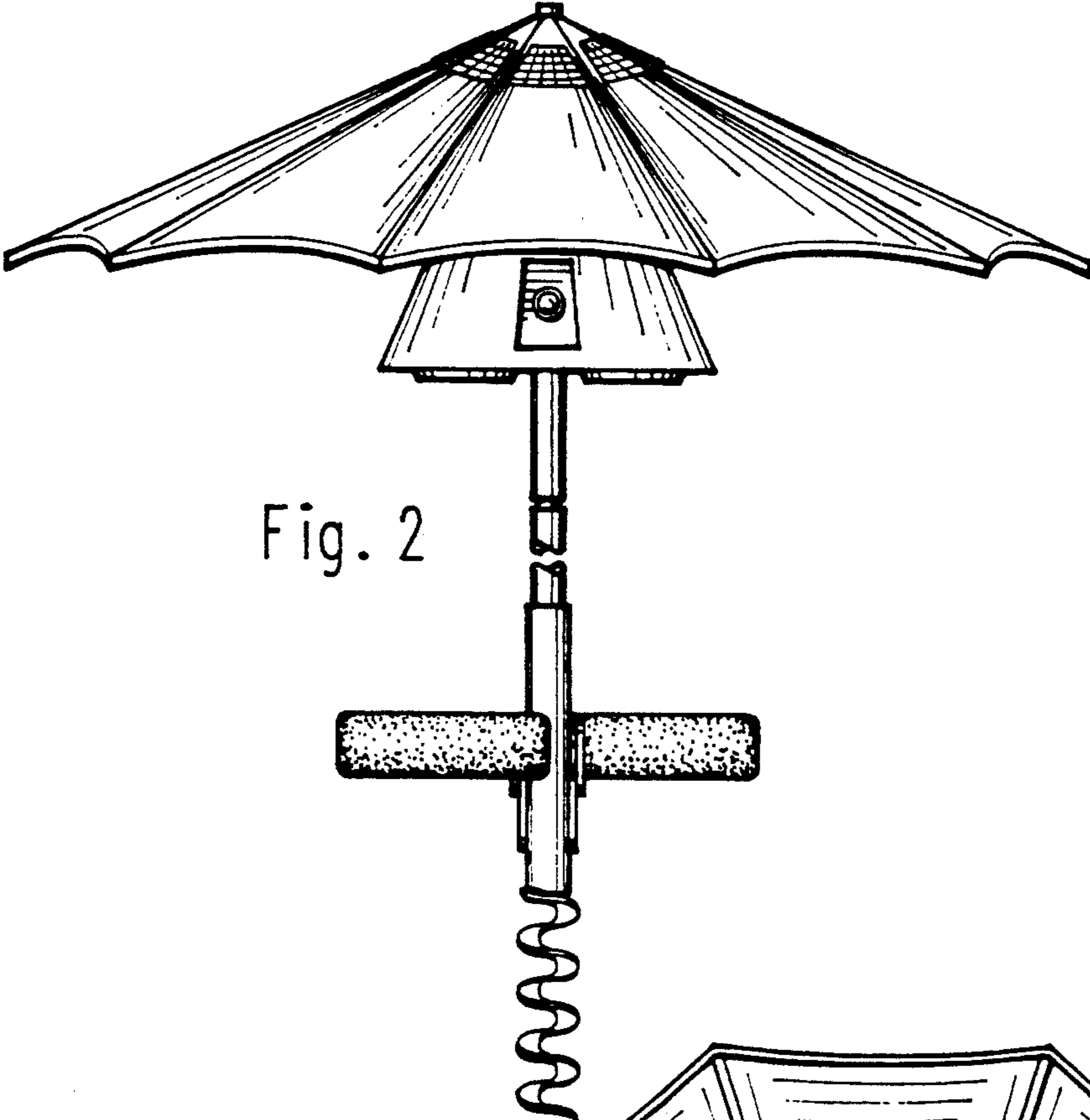


Fig. 2

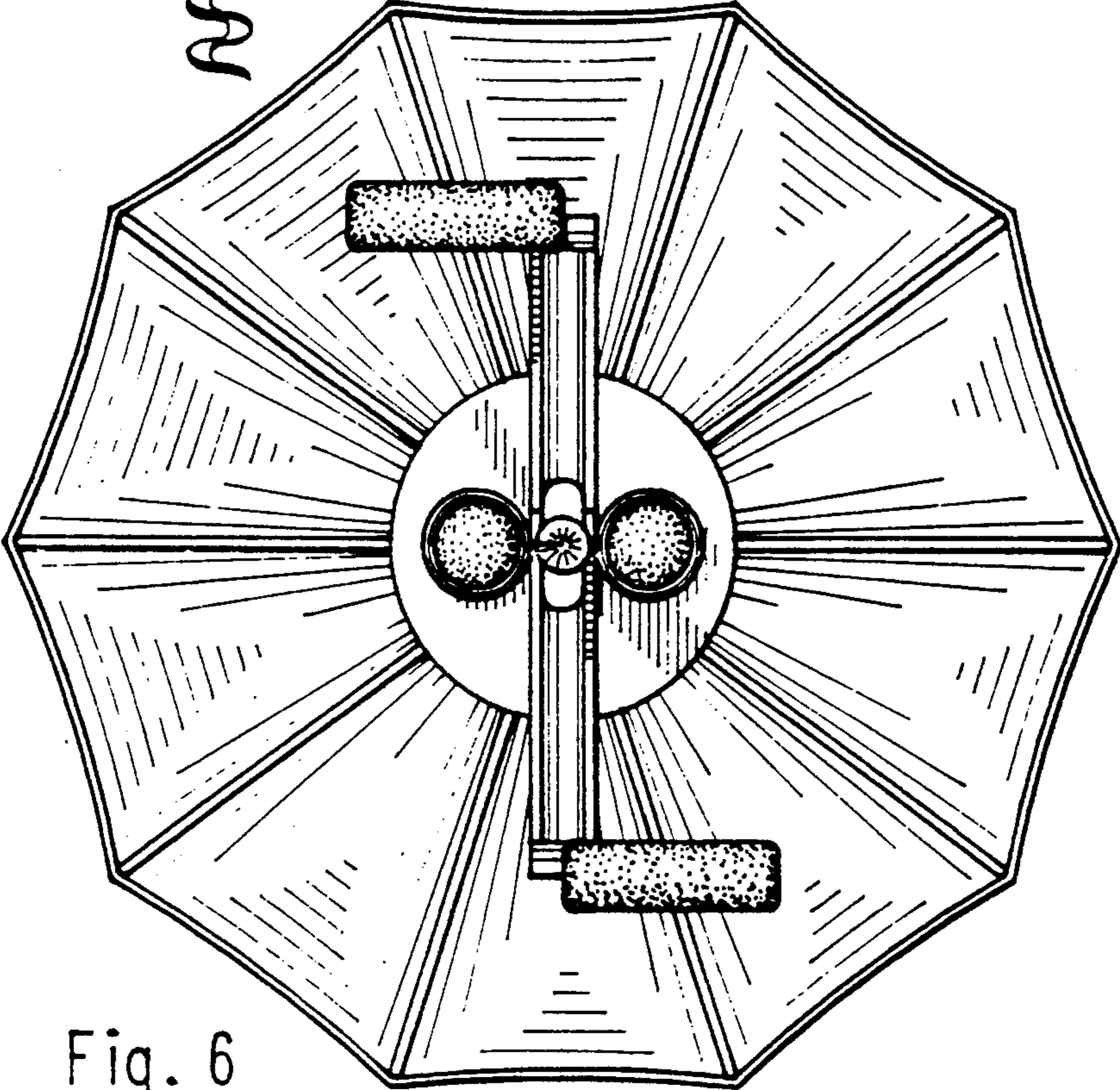


Fig. 6

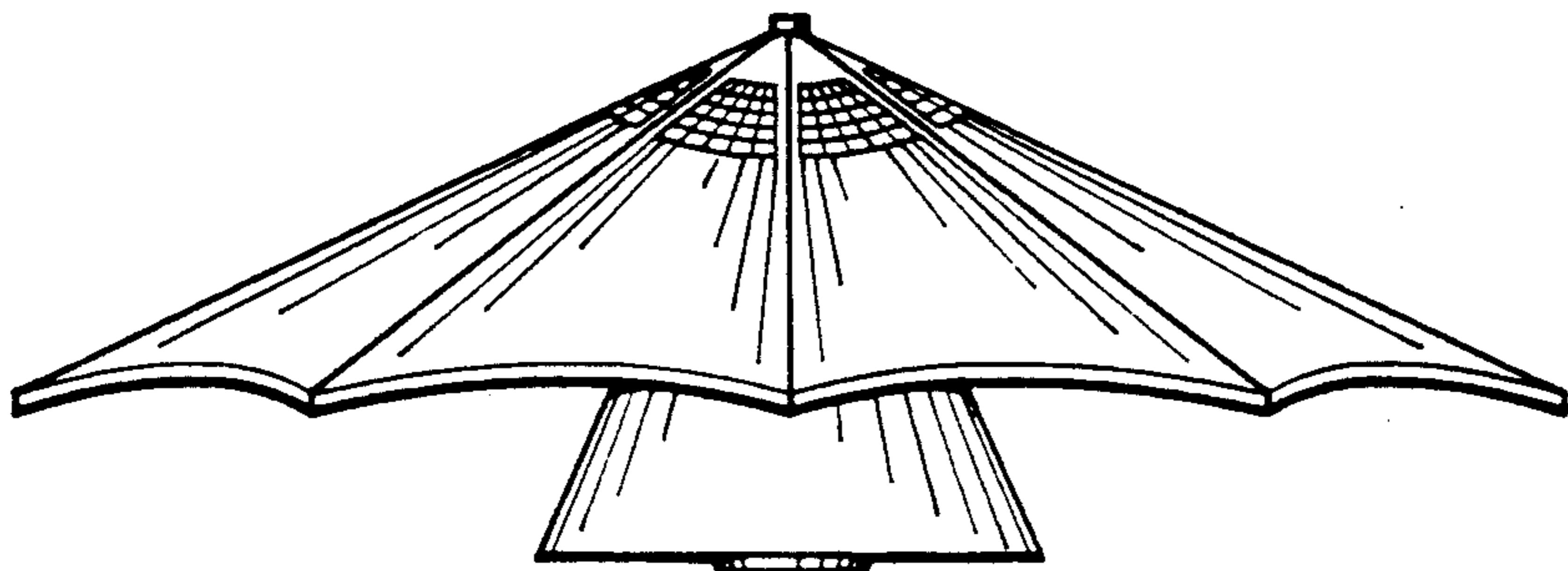


Fig. 3

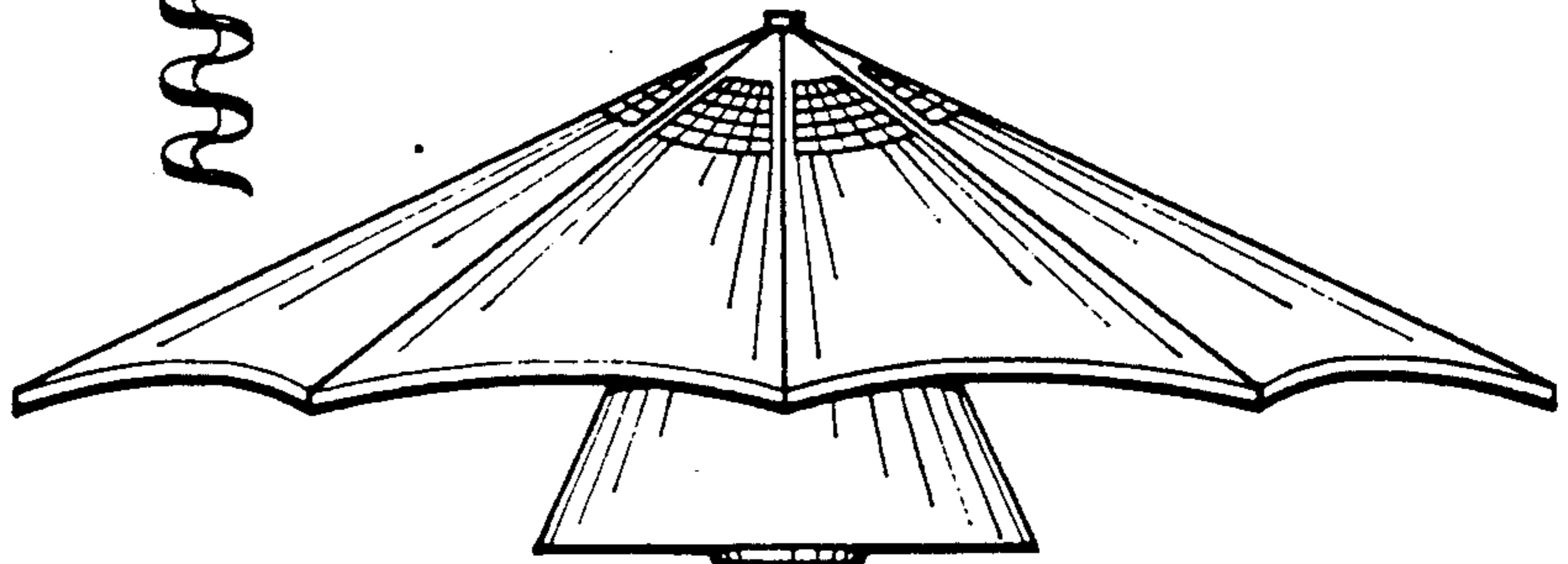
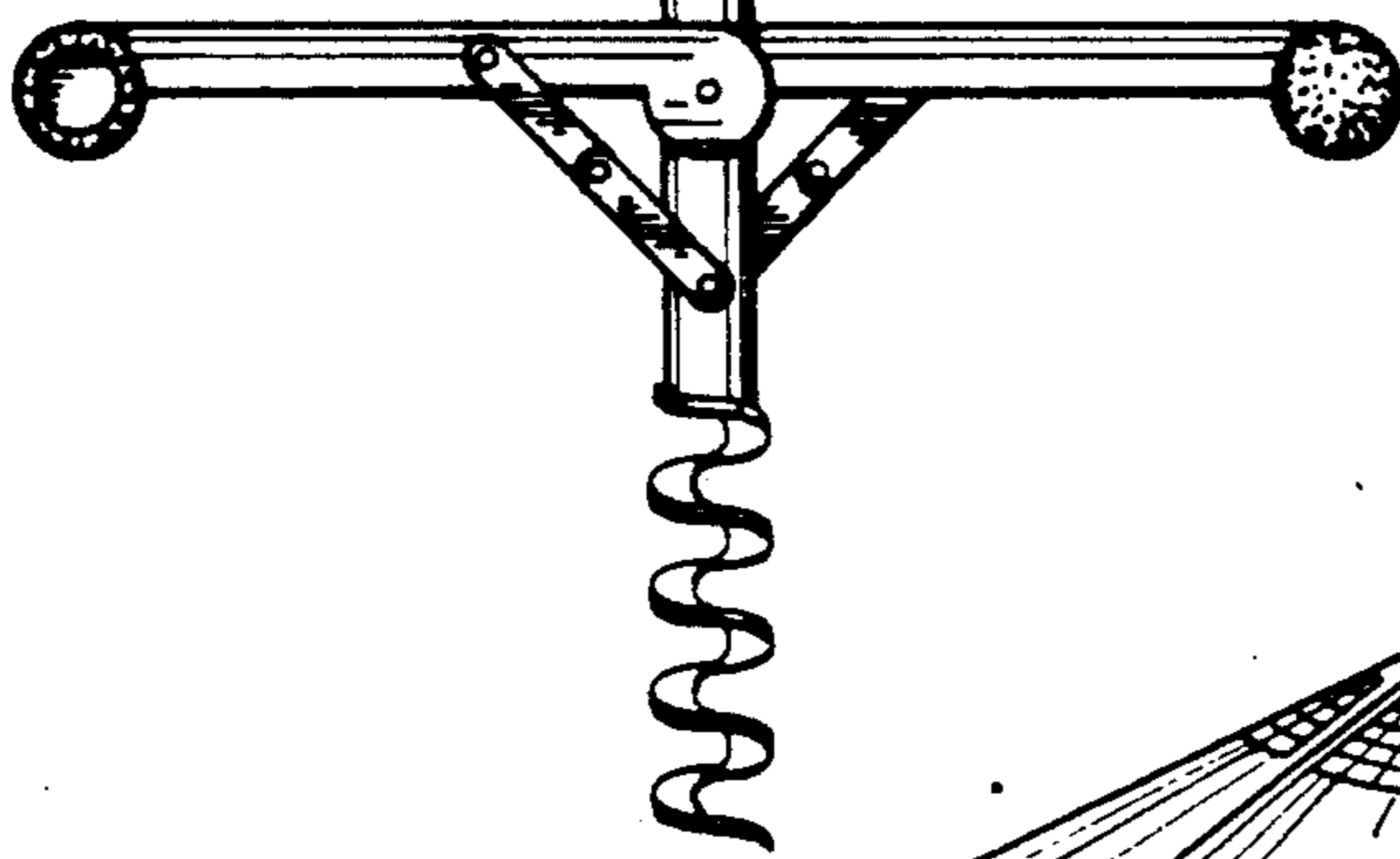


Fig. 4

