



US00D341828S

United States Patent [19]

[11] Patent Number: **Des. 341,828**

Hui

[45] Date of Patent: **** Nov. 30, 1993**

- [54] **STACKABLE ENCLOSURE FOR ELECTRONIC DEVICES**
- [75] Inventor: **John T. Hui**, San Jose, Calif.
- [73] Assignee: **Everex Systems, Inc.**, Fremont, Calif.
- [**] Term: **14 Years**
- [21] Appl. No.: **847,476**
- [22] Filed: **Mar. 6, 1992**
- [52] U.S. Cl. **D14/107**
- [58] Field of Search **D14/100, 102, 107, 108, D14/109; D13/162, 184, 199; 360/99.12; 361/390-395**

[56] **References Cited**
U.S. PATENT DOCUMENTS

D. 310,825	9/1990	Crease et al.	D14/100
D. 315,553	3/1991	Davis et al.	D14/106
D. 328,735	8/1992	Barbera et al.	D14/100
D. 336,075	6/1993	Wakefield et al.	D14/100
5,119,497	6/1992	Freige et al.	D13/162 X

Primary Examiner—Wallace R. Burke
Assistant Examiner—Freda S. Nunn
Attorney, Agent, or Firm—Blakely, Sokoloff, Taylor & Zafman

[57] **CLAIM**

The ornamental design for a stackable enclosure for electronic devices, as shown and described.

DESCRIPTION

FIG. 1 is a top front and right side perspective view of a stackable enclosure for electronic devices showing my new design;
 FIG. 2 is a front elevational view thereof;
 FIG. 3 is a rear elevational view thereof;
 FIG. 4 is a top plan view thereof on an enlarged scale;
 FIG. 5 is a bottom plan view thereof on an enlarged scale;
 FIG. 6 is a right side elevational view thereof;
 FIG. 7 is a left side elevational view thereof; and,
 FIG. 8 is a top front and right side perspective view thereof with the handle in the raised position.

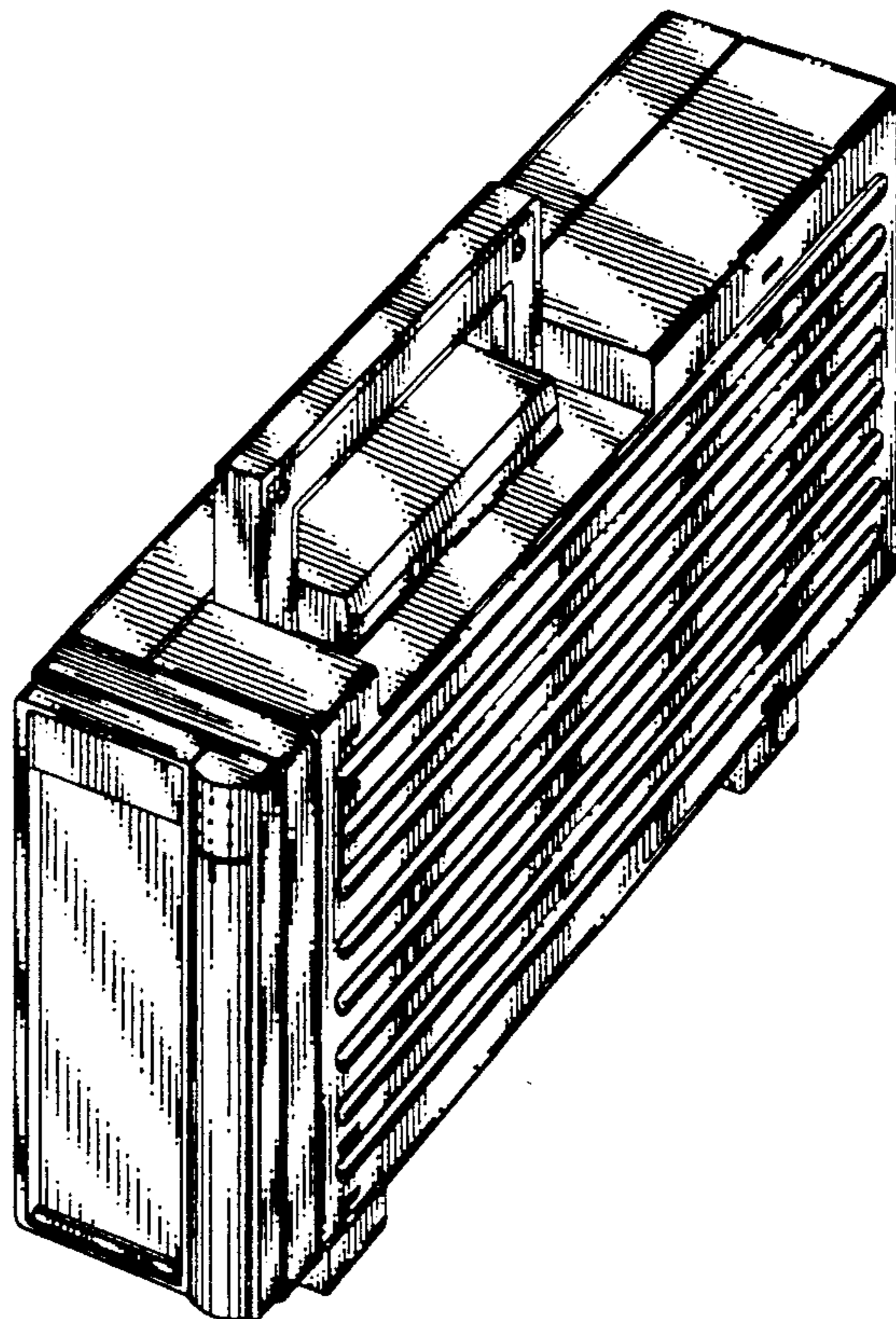
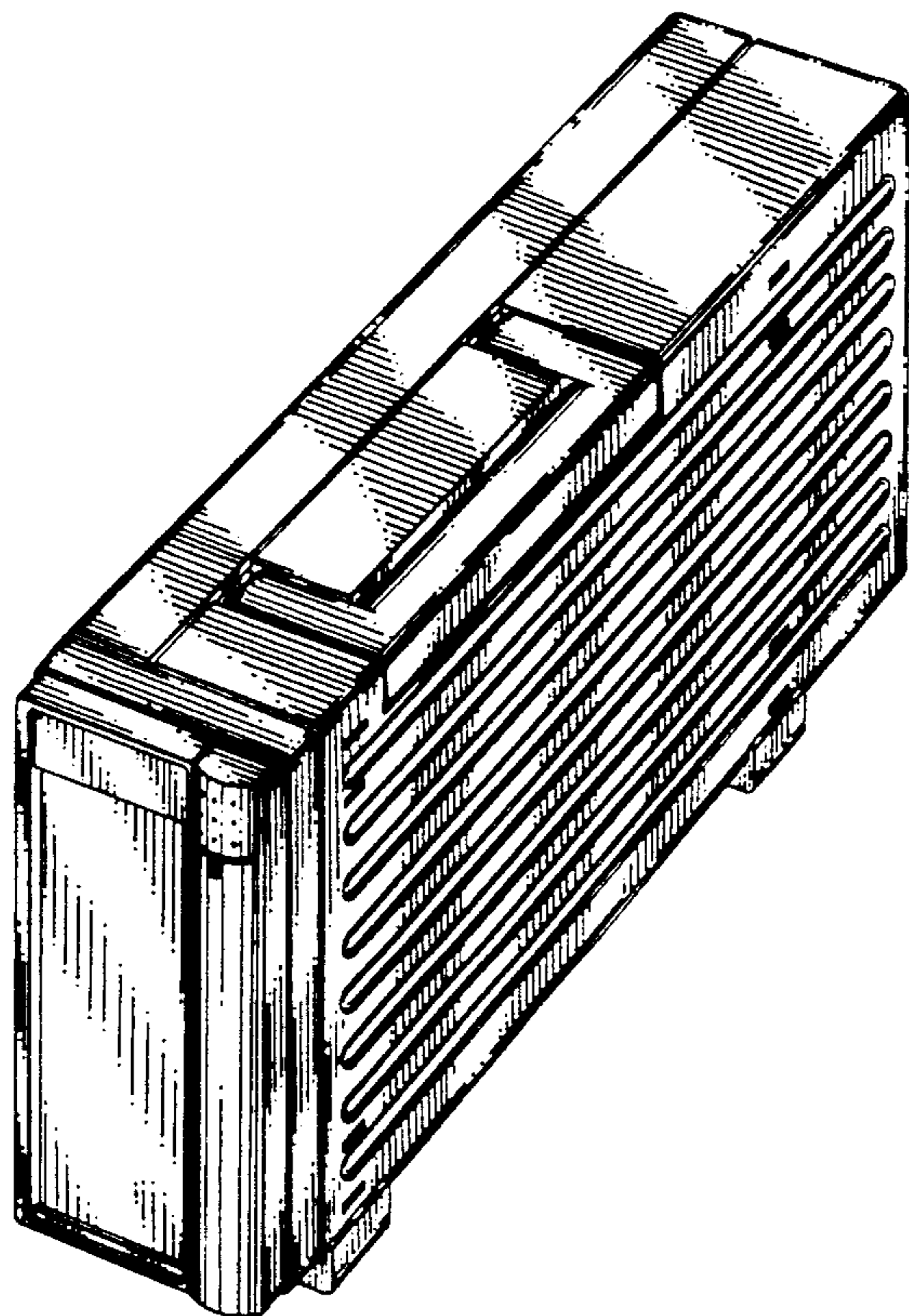


FIG 1

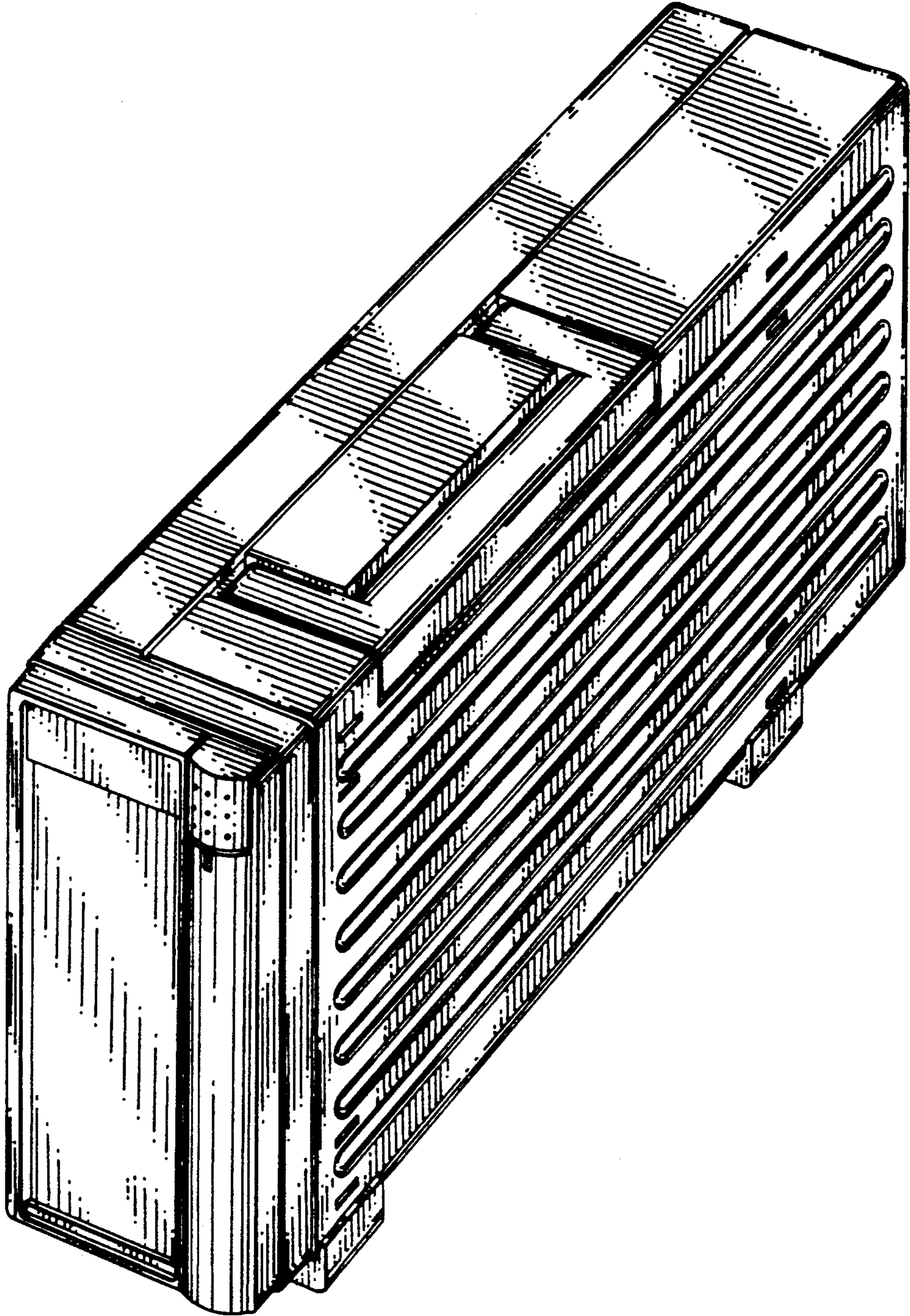


FIG 2

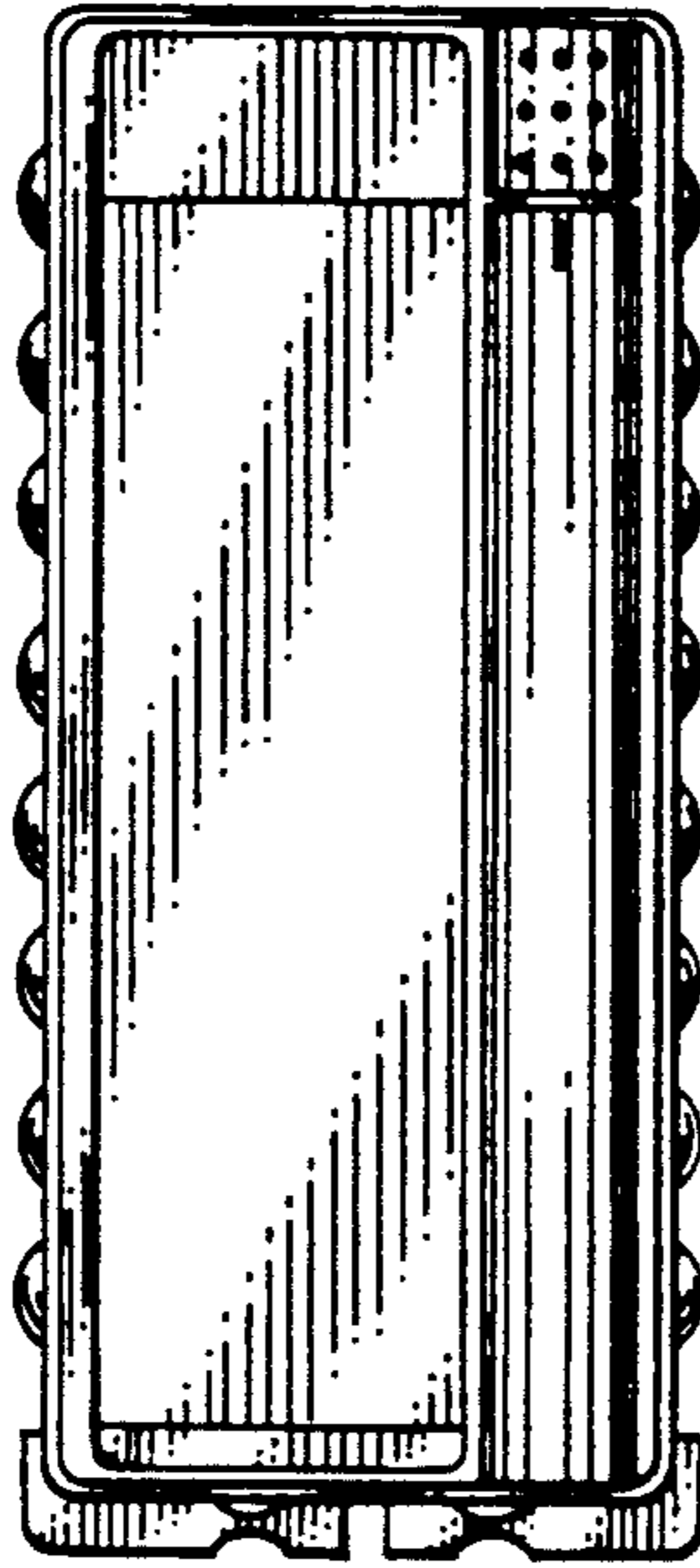


FIG 3

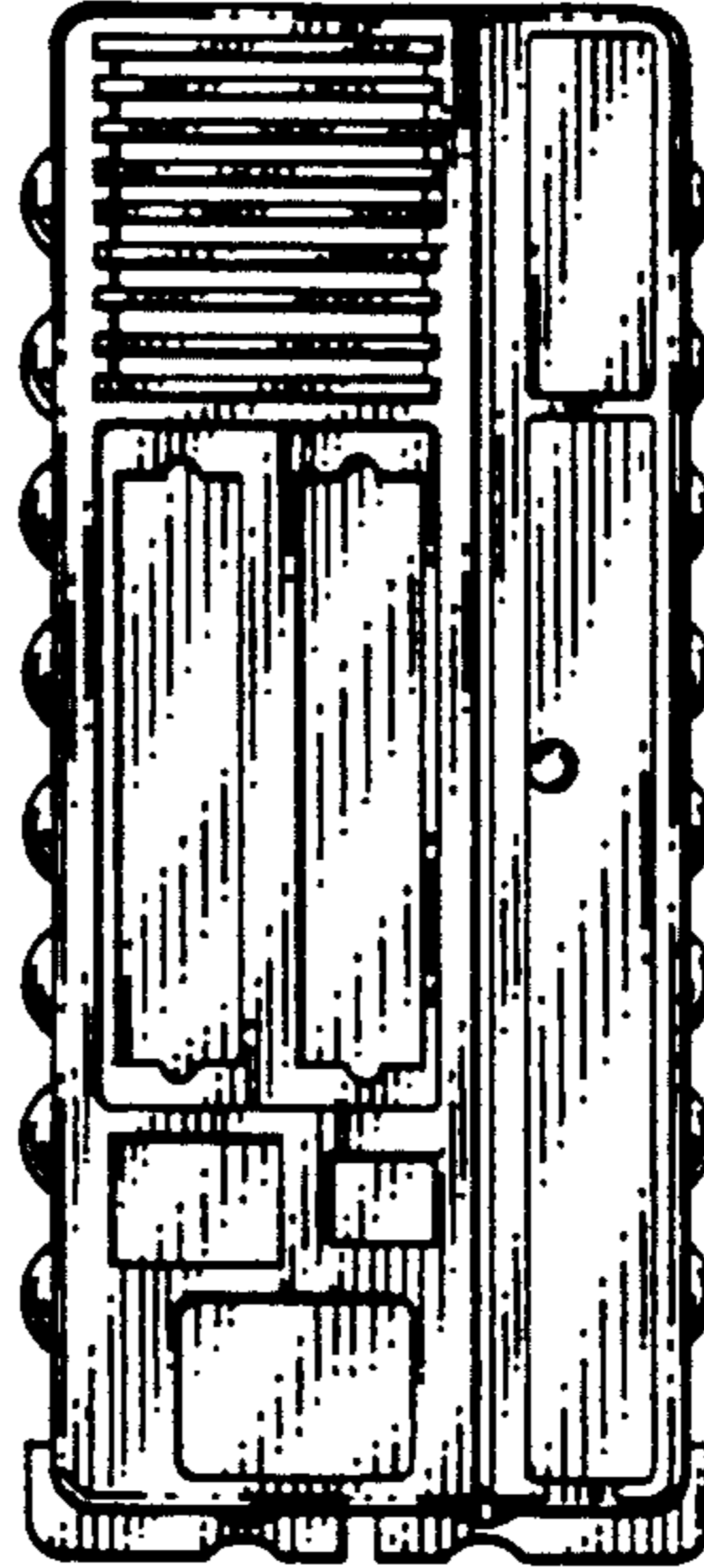


FIG 4

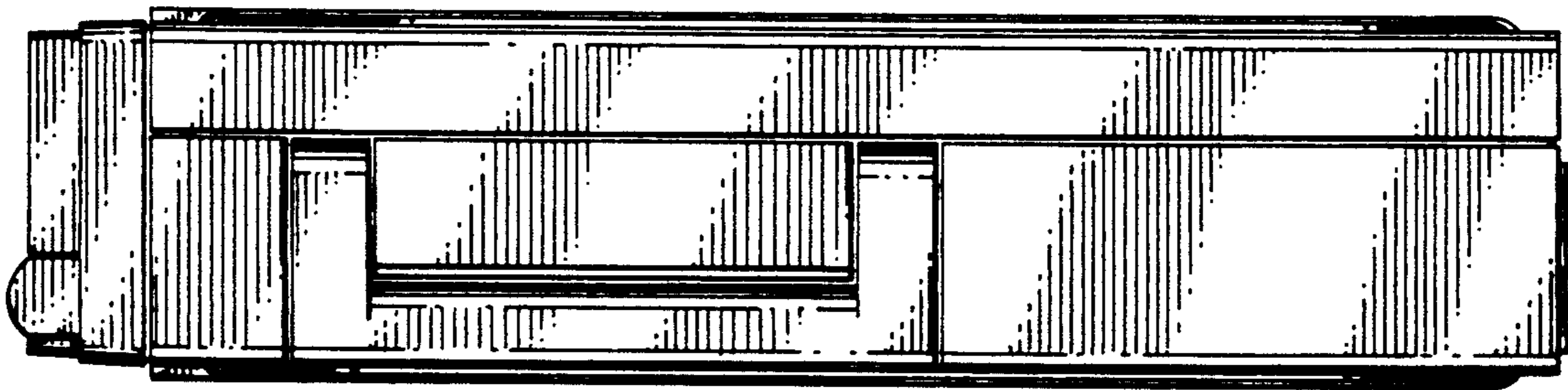


FIG 5

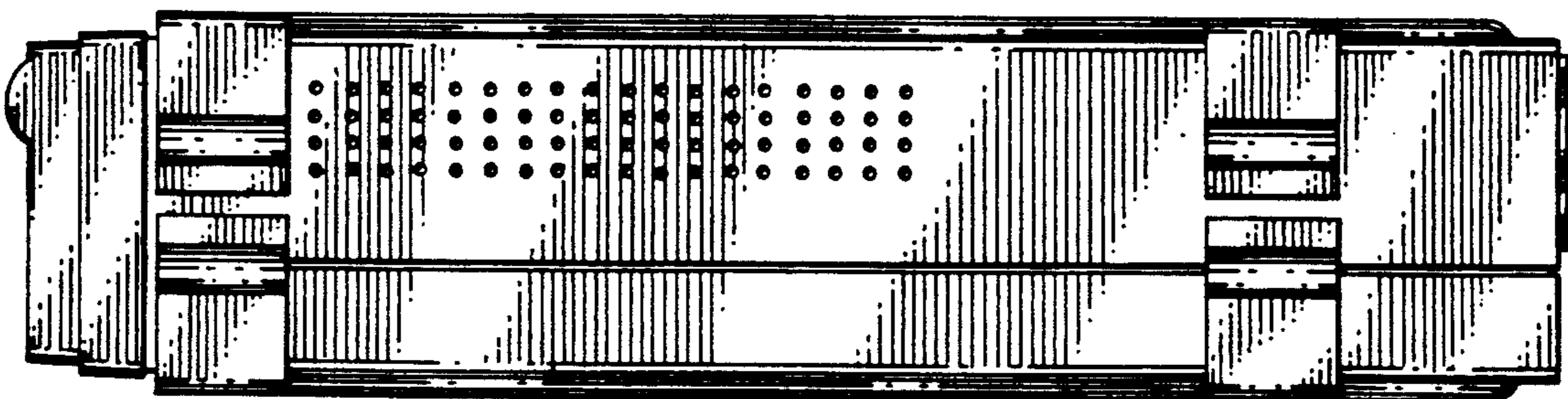


FIG 6

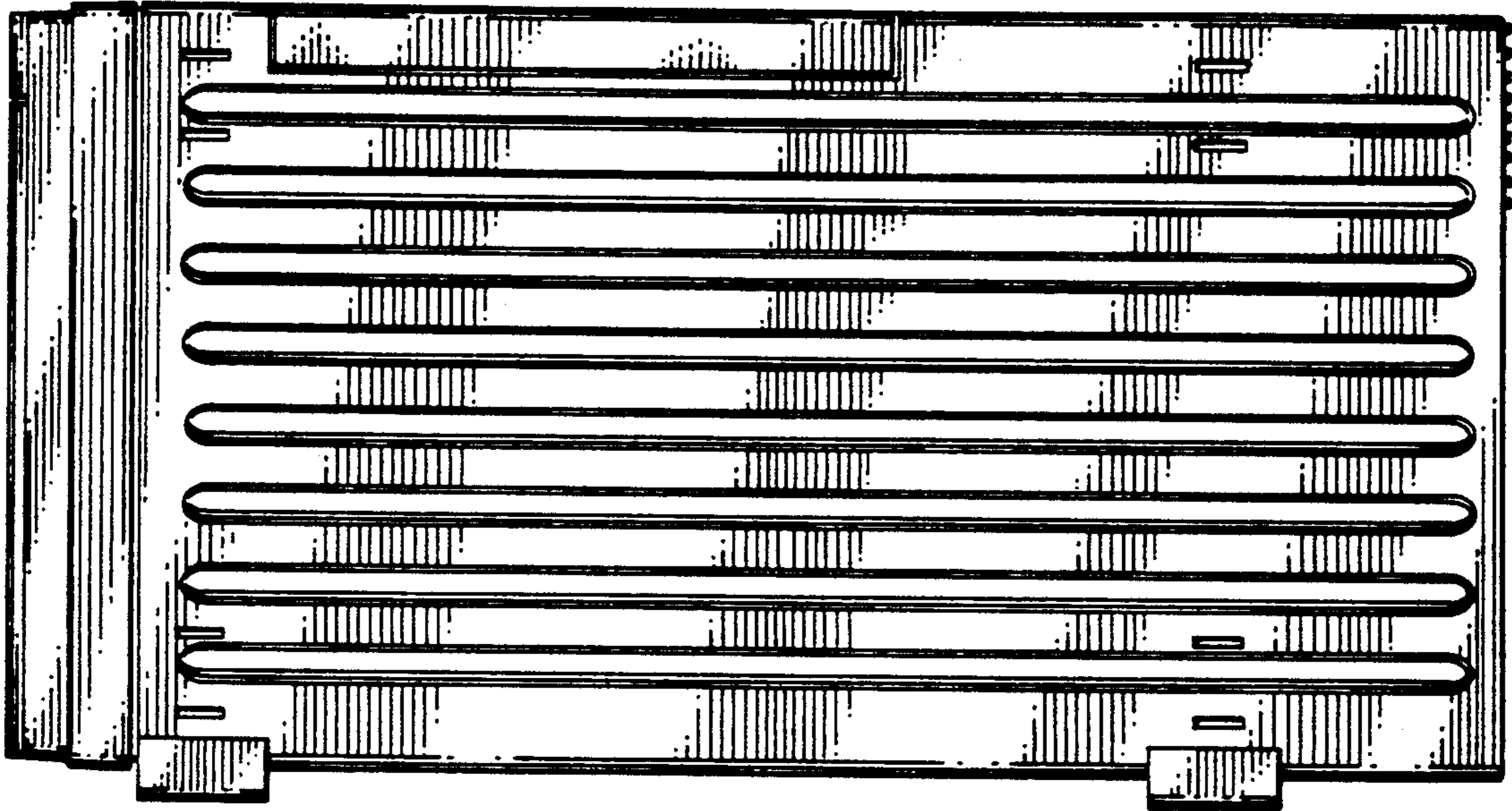


FIG 7

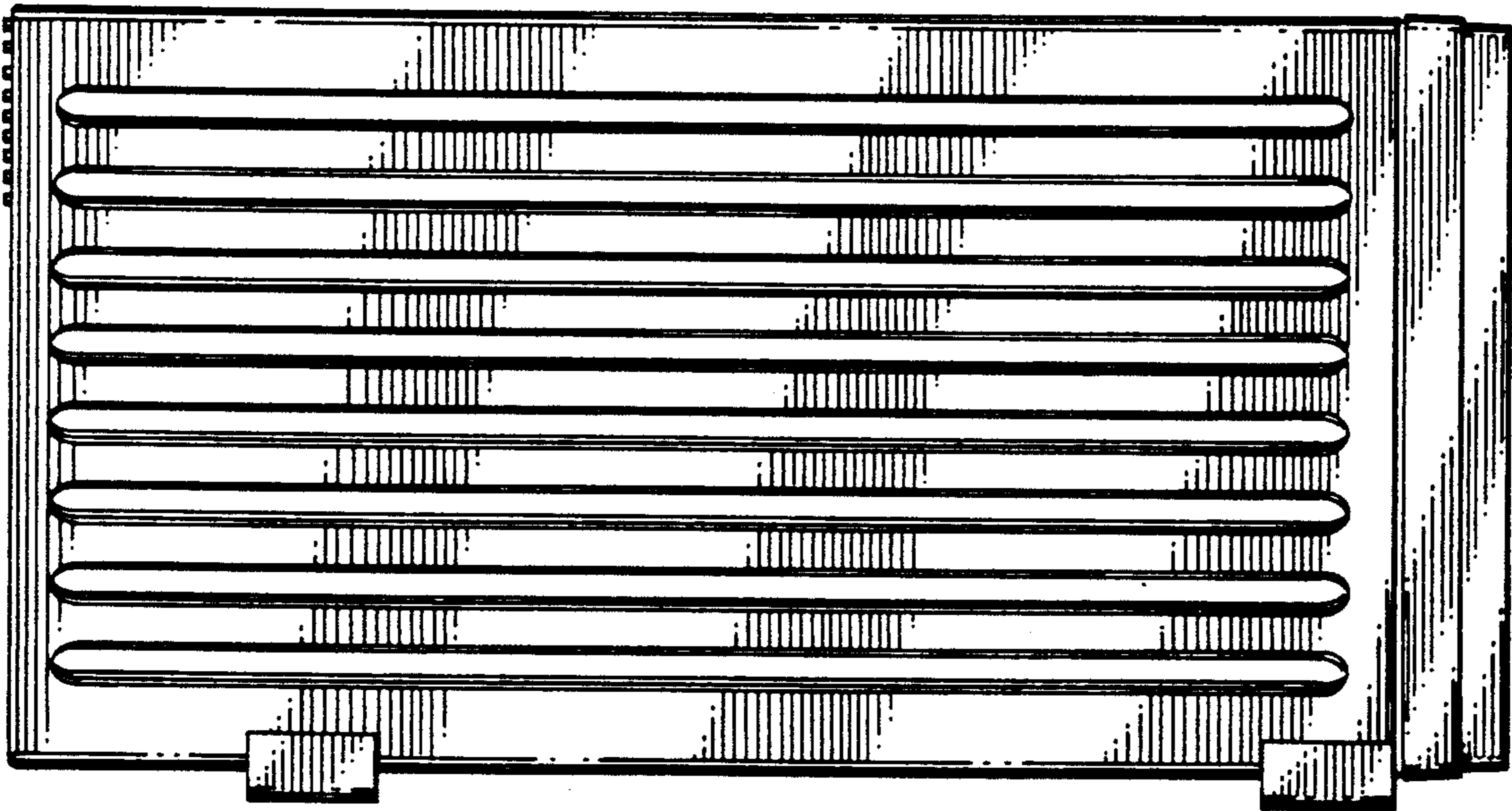


FIG 8

