



US00D341827S

United States Patent [19]

[11] Patent Number: **Des. 341,827**

Lai et al.

[45] Date of Patent: **** Nov. 30, 1993**

[54] **COMPUTER FILE SERVER**

[75] Inventors: **John Lai**, San Francisco; **John Raff**, Sunnyvale; **Mark Roemer**, Mountain View, all of Calif.; **Jim Tappel**, Hickory Corners, Mich.

[73] Assignee: **Everex Systems, Inc.**, Fremont, Calif.

[**] Term: **14 Years**

[21] Appl. No.: **732,688**

[22] Filed: **Jul. 19, 1991**

[52] U.S. Cl. **D14/107; D14/100**

[58] Field of Search **D14/100, 102, 108, 109; D13/162, 184, 199; 360/99.12; 361/390-395**

[56] **References Cited**

U.S. PATENT DOCUMENTS

- D. 262,287 12/1981 Urbanus et al. D14/100
- D. 272,067 1/1984 Hara D14/107

- D. 283,817 5/1986 Sakamoto D14/102
- D. 310,999 10/1990 Nuttall et al. D14/102
- D. 312,074 11/1990 Koepke et al. D14/100

Primary Examiner—Wallace R. Burke
Assistant Examiner—Freda S. Nunn
Attorney, Agent, or Firm—Blakely, Sokoloff, Taylor & Zafman

[57] **CLAIM**

The ornamental design for a computer file server, as shown and described.

DESCRIPTION

FIG. 1 is a top, front perspective view of a computer file server showing our new design; FIG. 2 is a front view thereof; FIG. 3 is a rear view thereof; FIG. 4 is a left side view thereof; FIG. 5 is a right side view thereof; FIG. 6 is a top view thereof; and, FIG. 7 is a bottom view thereof.

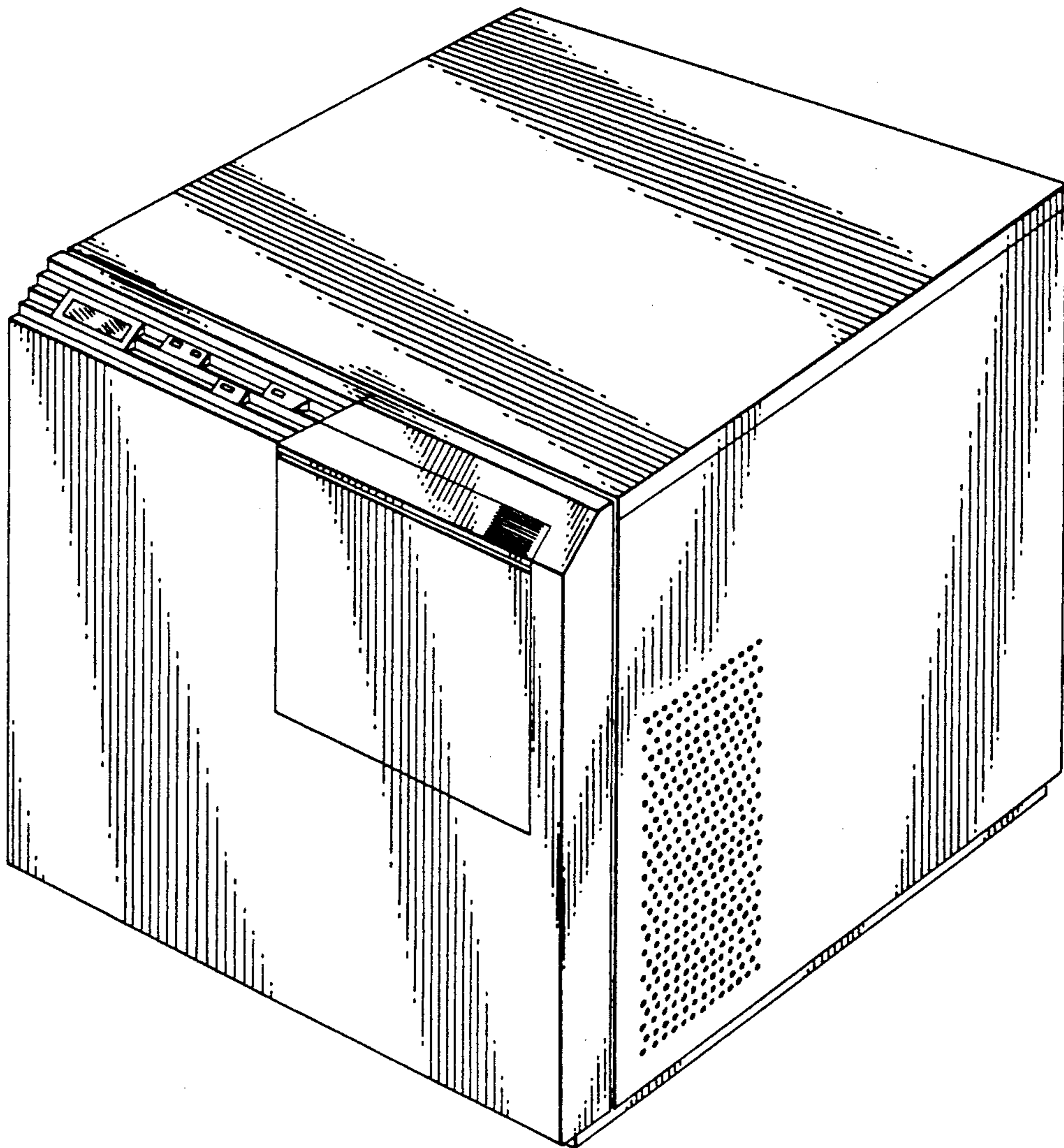


FIG 1

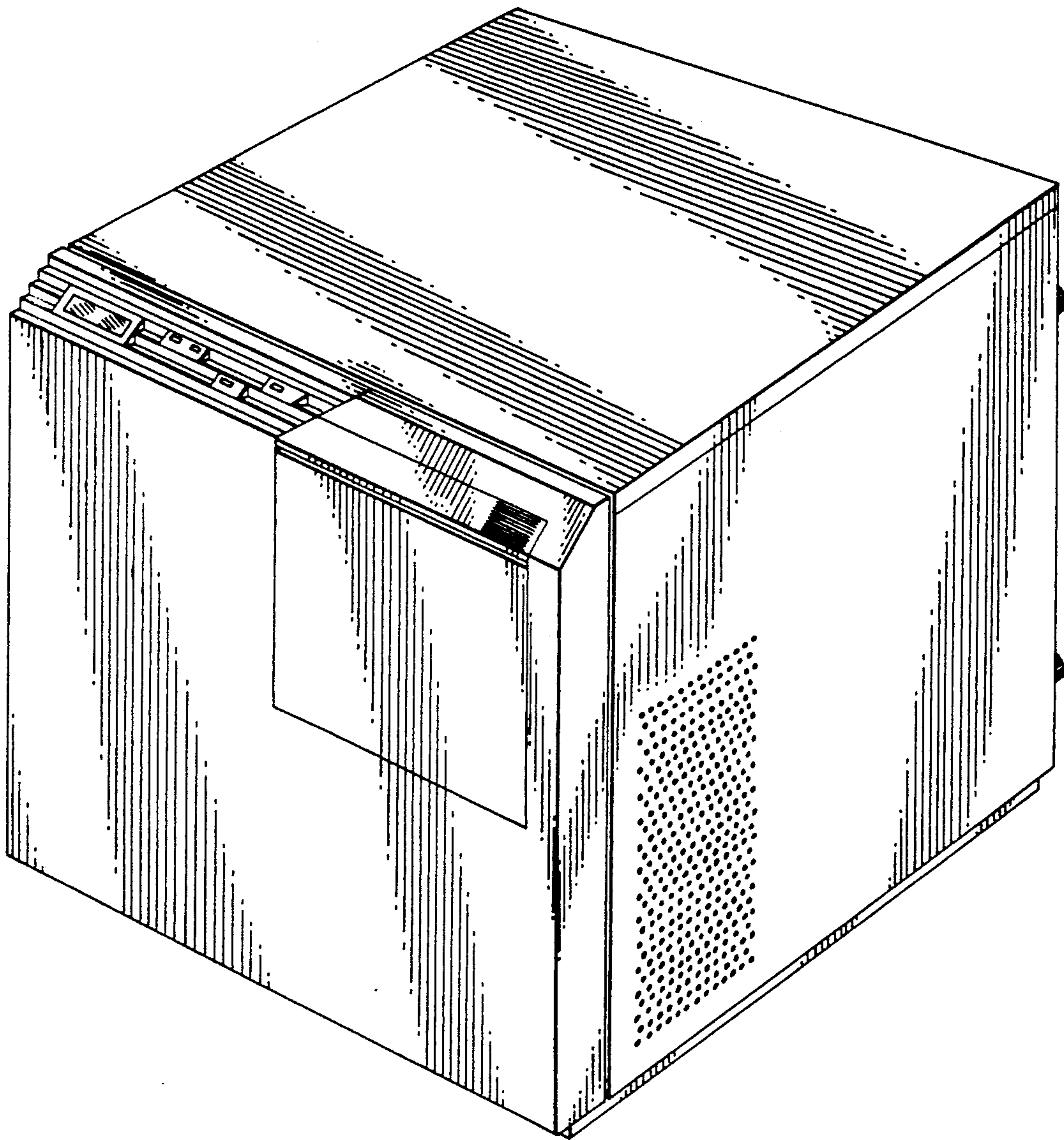


FIG 2

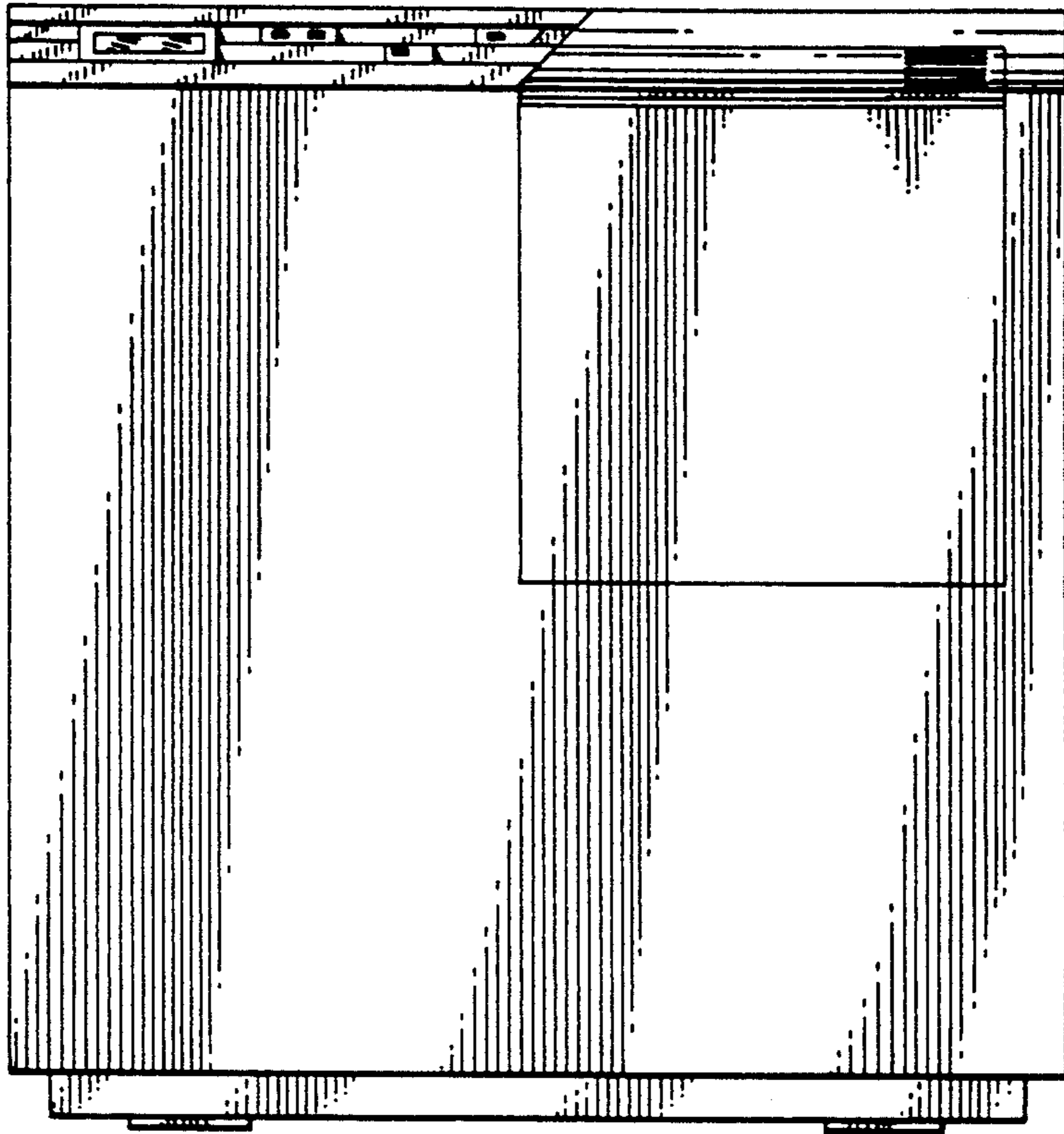


FIG 3

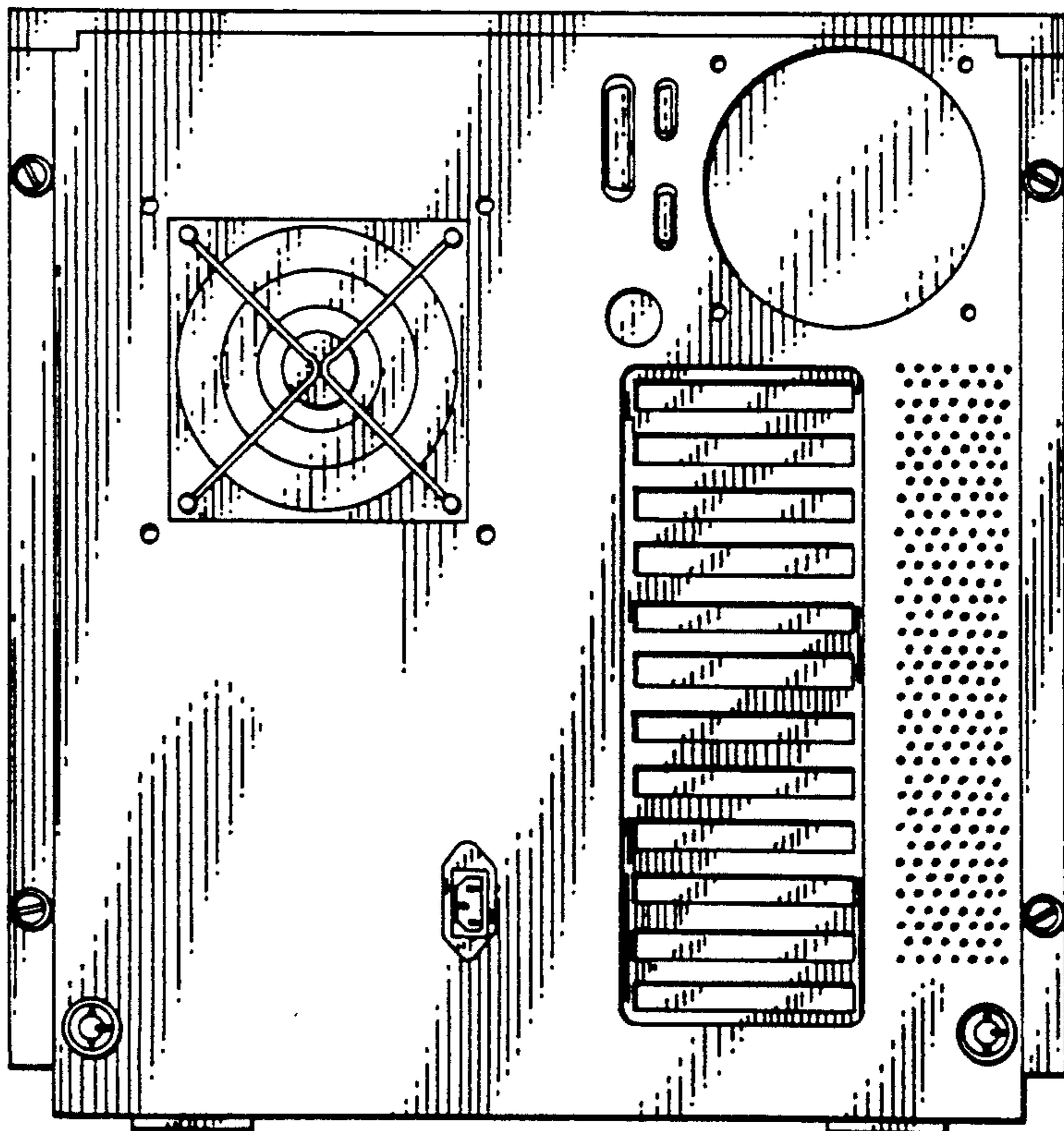


FIG 4

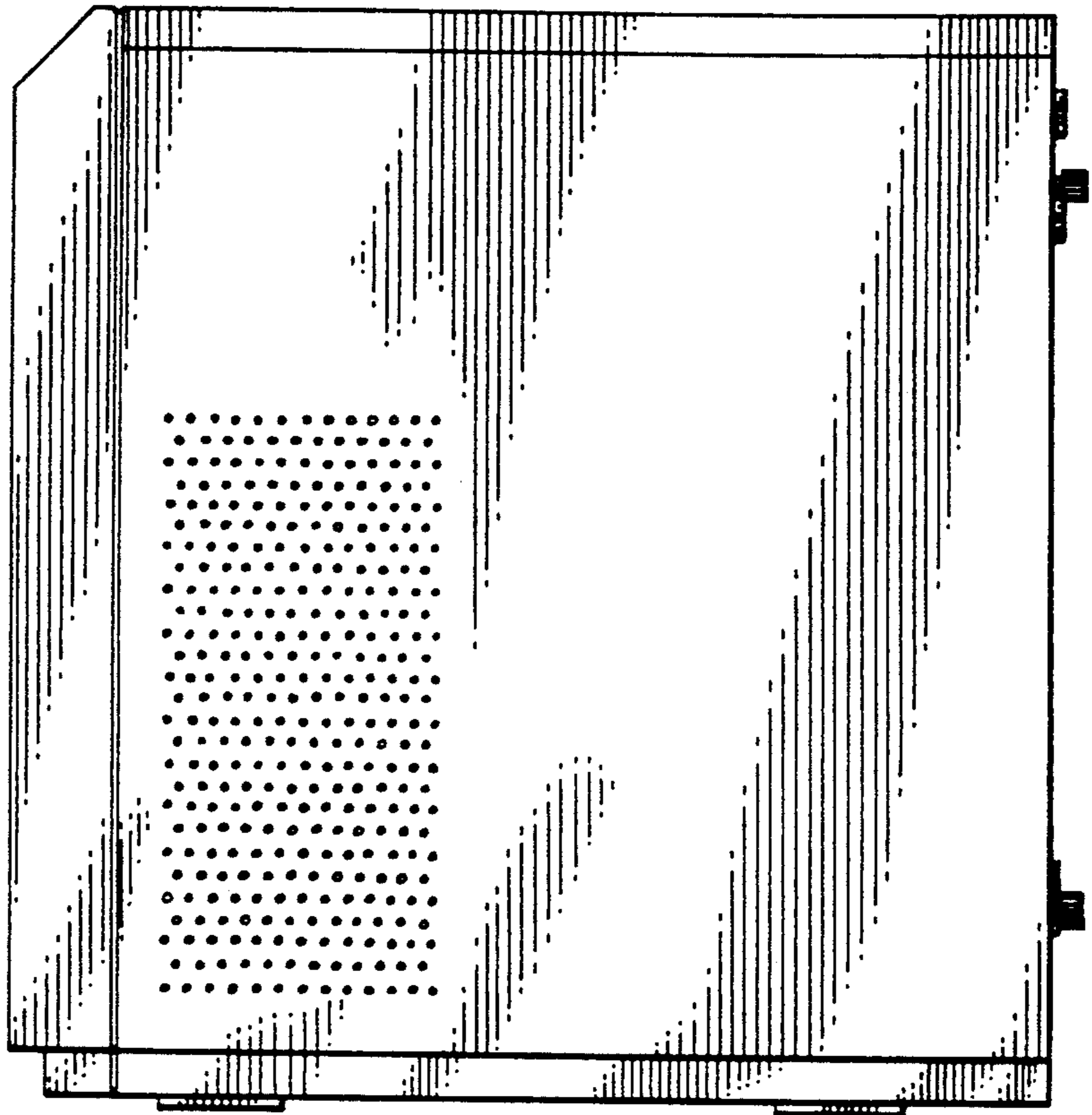


FIG 5

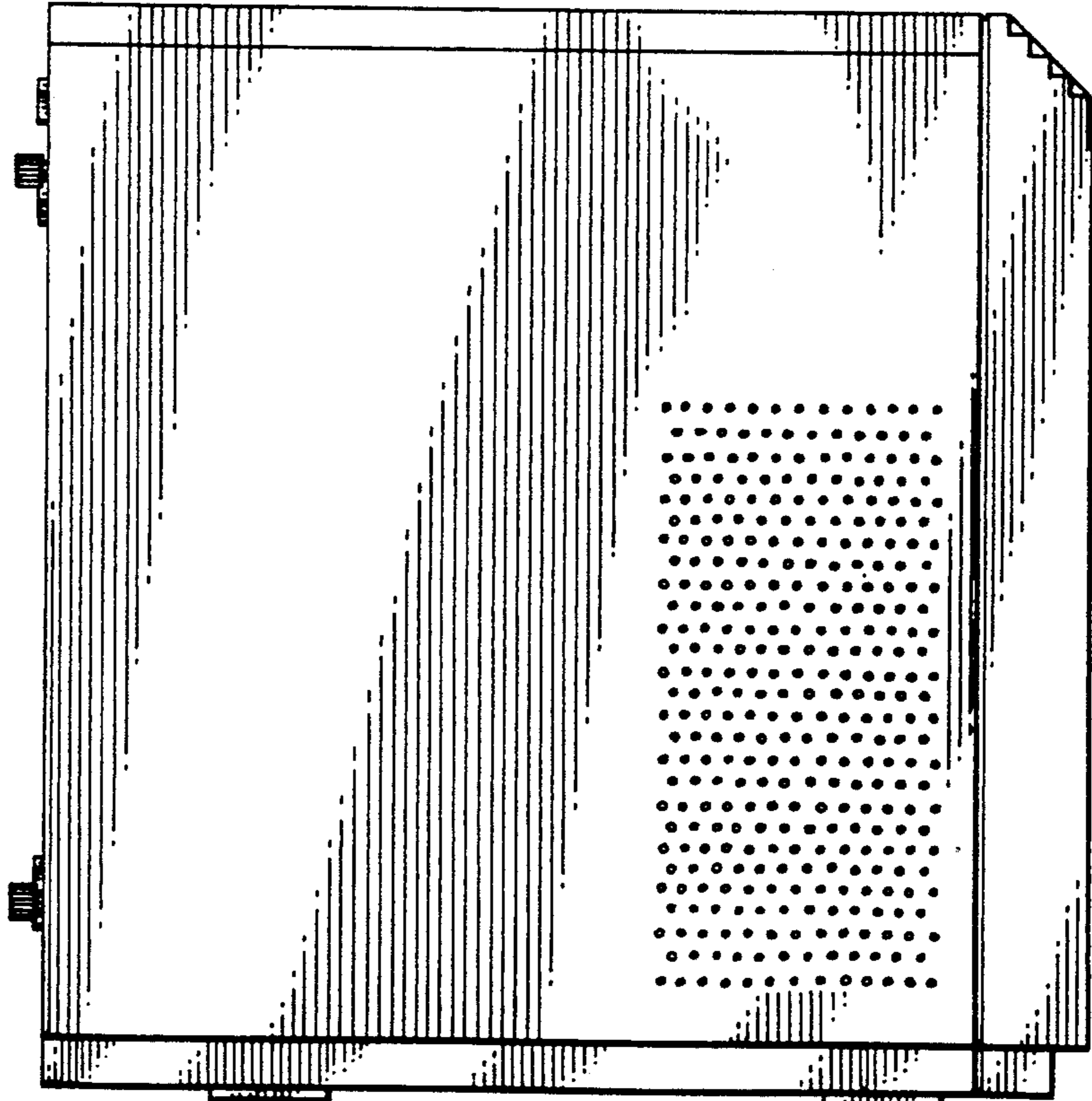


FIG 6

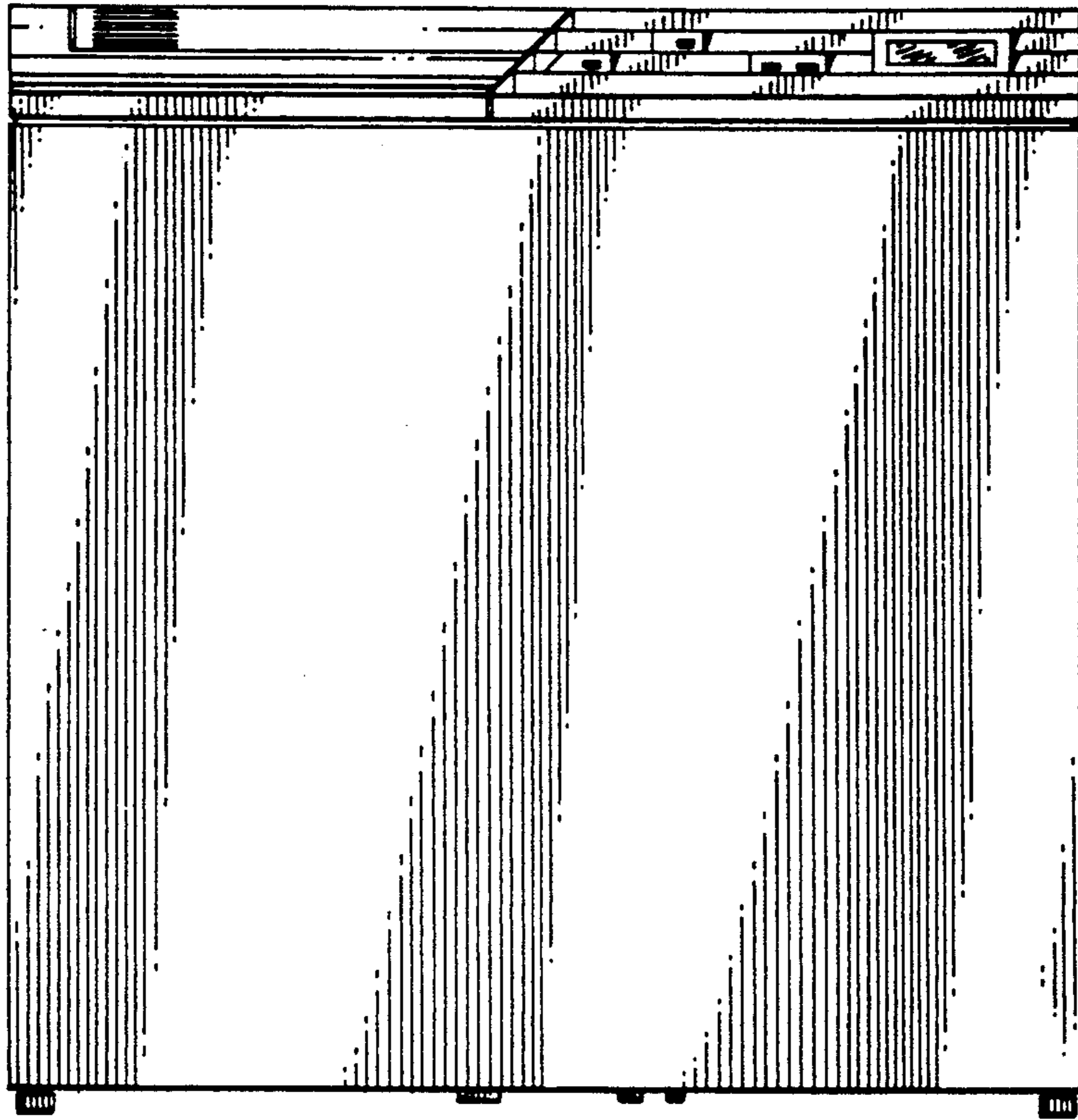


FIG 7

