



US00D341823S

United States Patent [19] Sakai

[11] Patent Number: **Des. 341,823**

[45] Date of Patent: **** Nov. 30, 1993**

[54] **PEN BASED COMPUTER**

[75] Inventor: **Hiroaki Sakai, Nagano, Japan**

[73] Assignee: **Seiko Epson Corporation, Tokyo, Japan**

[**] Term: **14 Years**

[21] Appl. No.: **839,437**

[22] Filed: **Feb. 20, 1992**

[30] **Foreign Application Priority Data**

Oct. 7, 1991 [JP] Japan 3-30203

[52] U.S. Cl. **D14/100**

[58] Field of Search D14/100, 106, 113, 115;
D18/7; 235/145 R, 145 A; 340/700, 706;
361/390, 391; 364/708

[56] **References Cited**

U.S. PATENT DOCUMENTS

D. 307,134 4/1990 Makidera D14/100

D. 315,549 3/1991 Clough et al. D14/100

D. 317,151 5/1991 Daly D14/100

D. 319,433 8/1991 Pearce D14/100

D. 321,174 10/1991 Tsuchiya D14/100

D. 333,814 3/1993 Swanson et al. D14/100

D. 334,180 3/1993 Tedham et al. D14/100

FOREIGN PATENT DOCUMENTS

803268 12/1990 Japan D14/100

Primary Examiner—Wallace R. Burke

Assistant Examiner—Freda S. Nunn

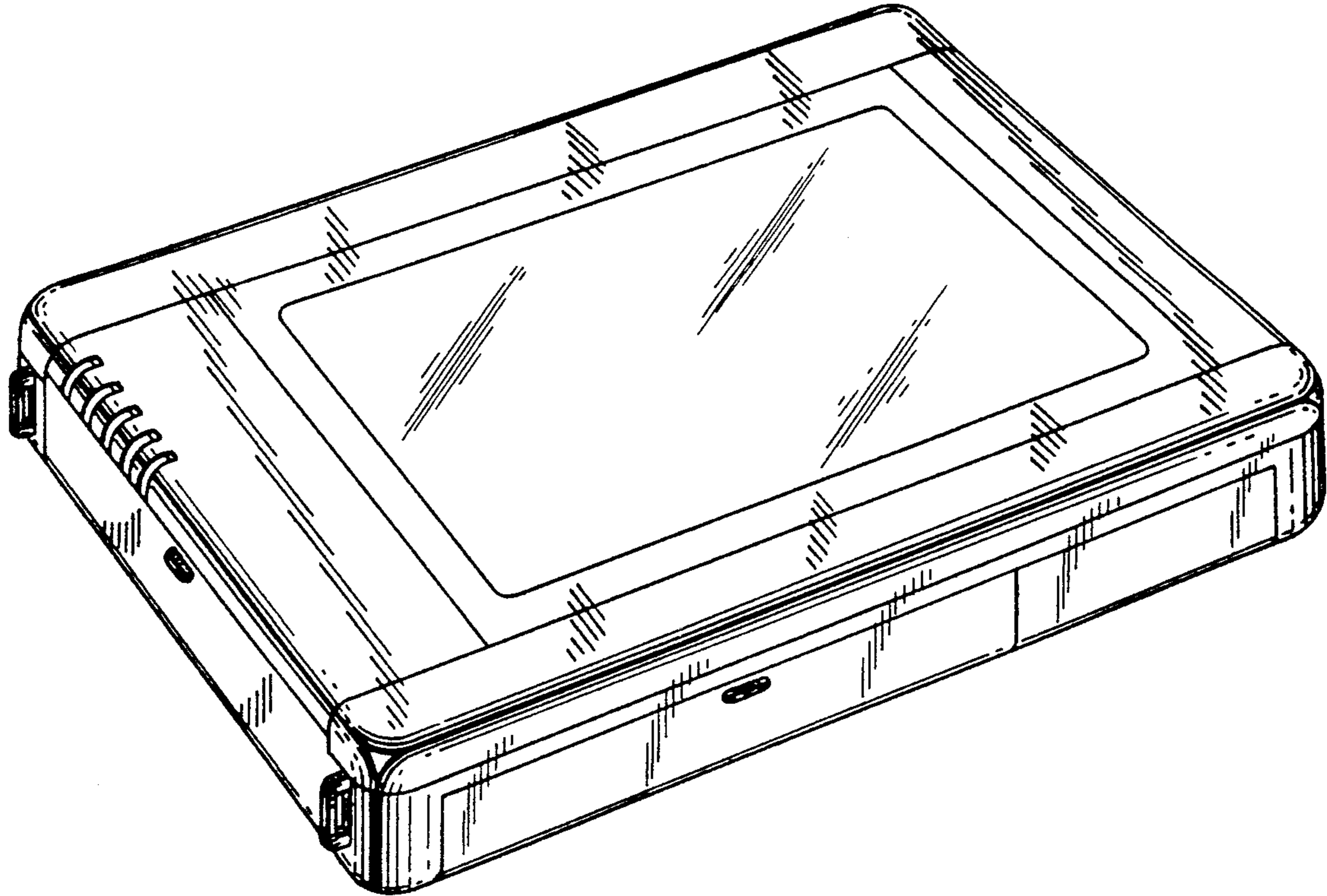
Attorney, Agent, or Firm—Blum Kaplan

[57] **CLAIM**

The ornamental design for a pen based computer, as shown and described.

DESCRIPTION

FIG. 1 is a perspective view of the pen based computer in accordance with my new design;
FIG. 2 is a top plan view thereof;
FIG. 3 is a left side view thereof;
FIG. 4 is a front elevational view thereof;
FIG. 5 is a rear elevational view thereof;
FIG. 6 is a right side view thereof; and,
FIG. 7 is a bottom plan view thereof.



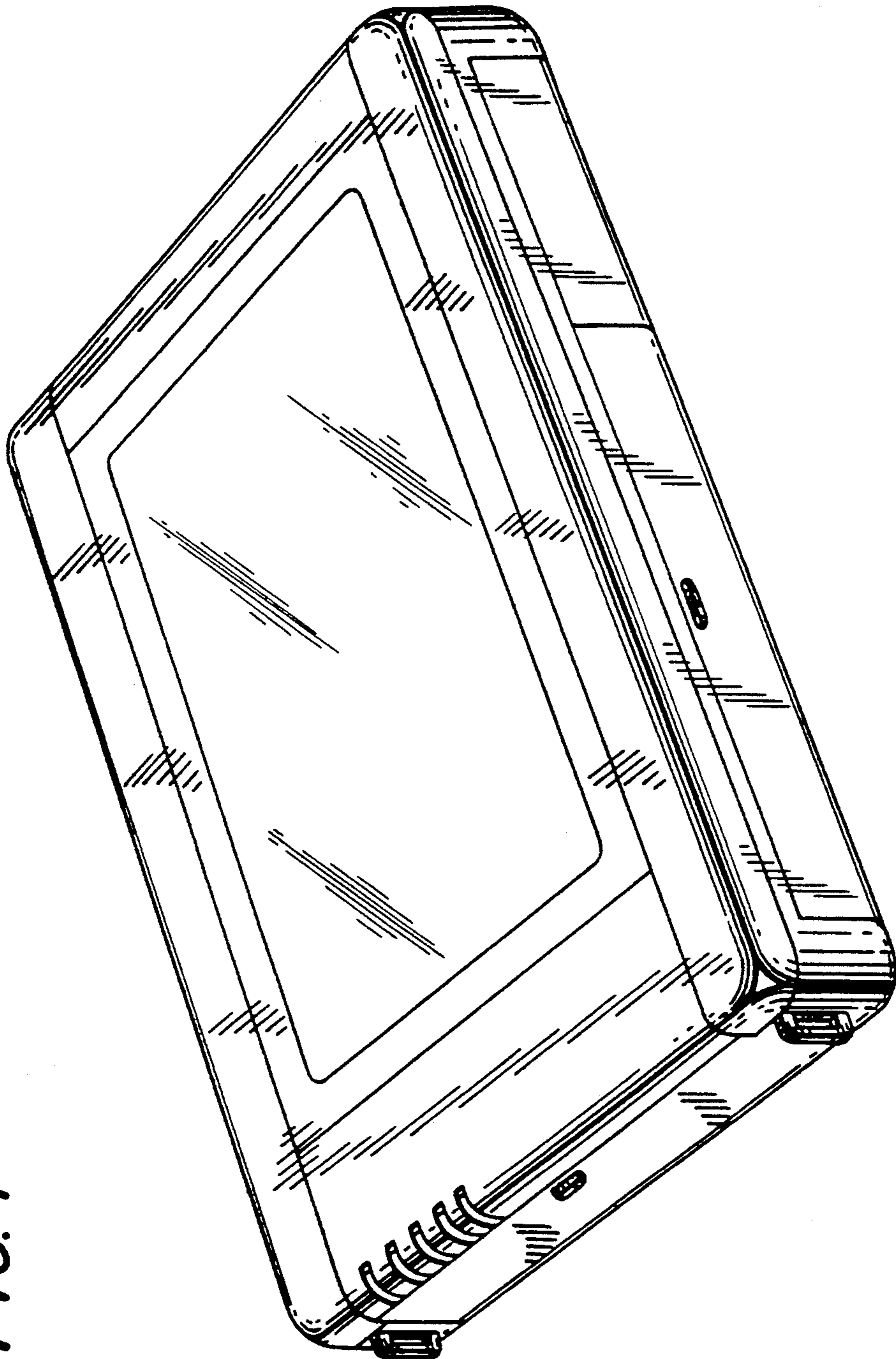


FIG. 1

FIG. 2

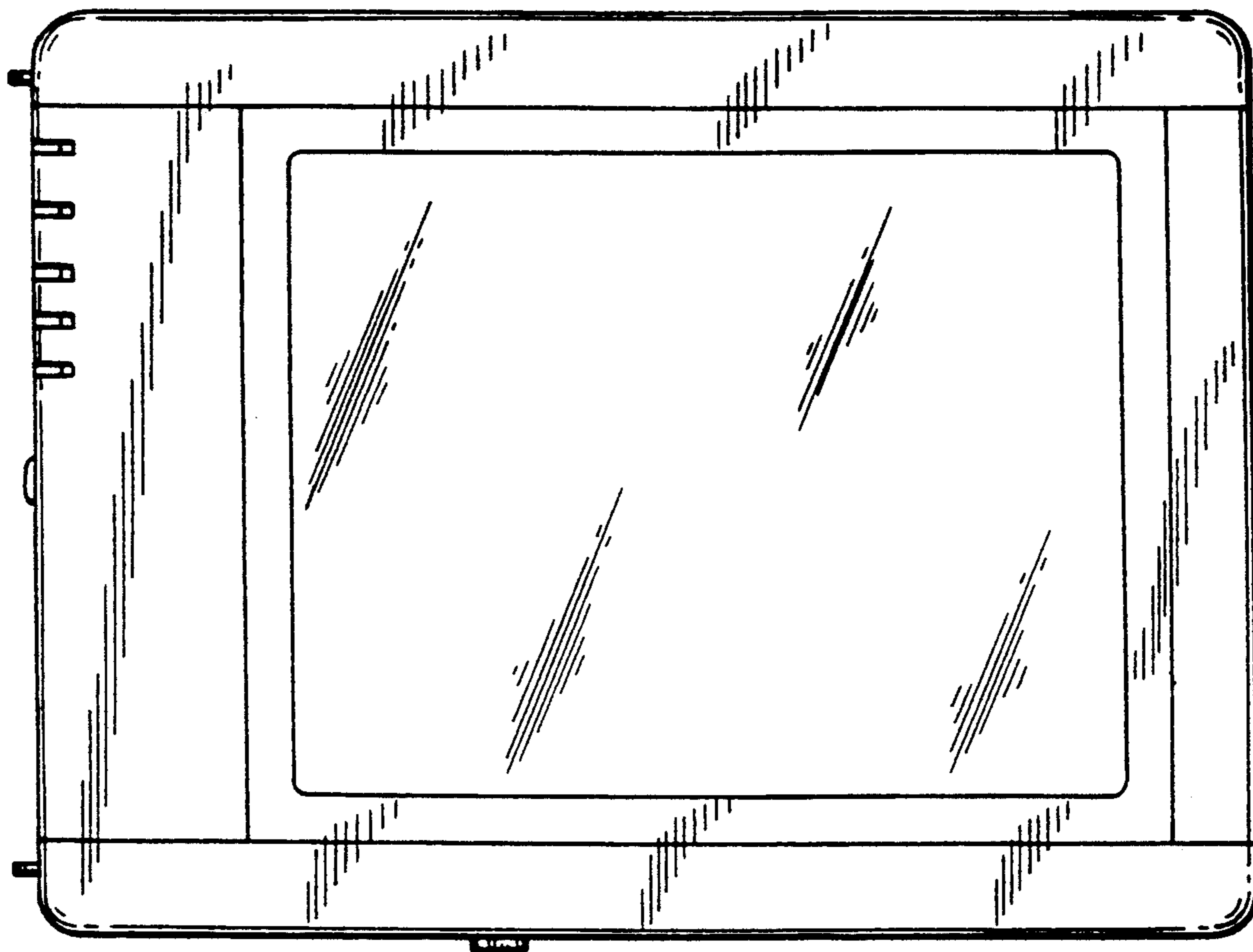


FIG. 3

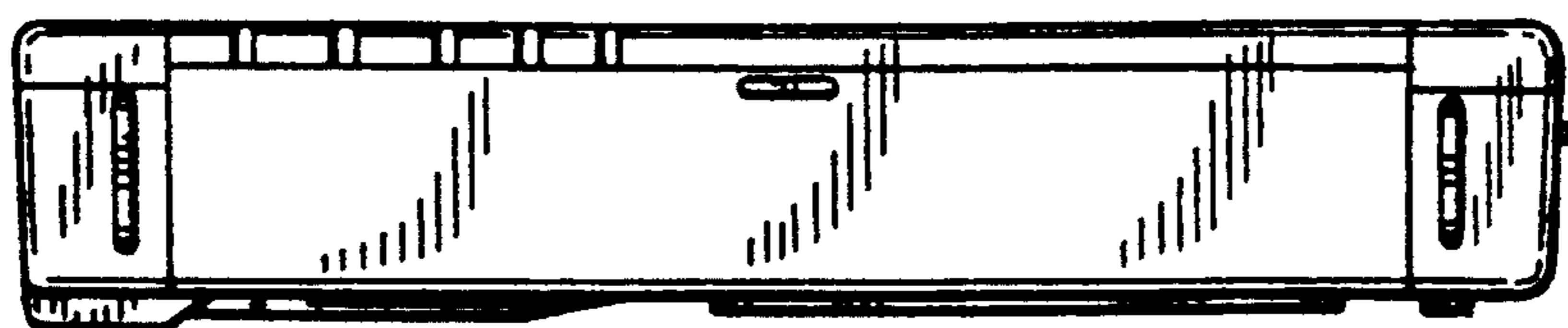


FIG. 4

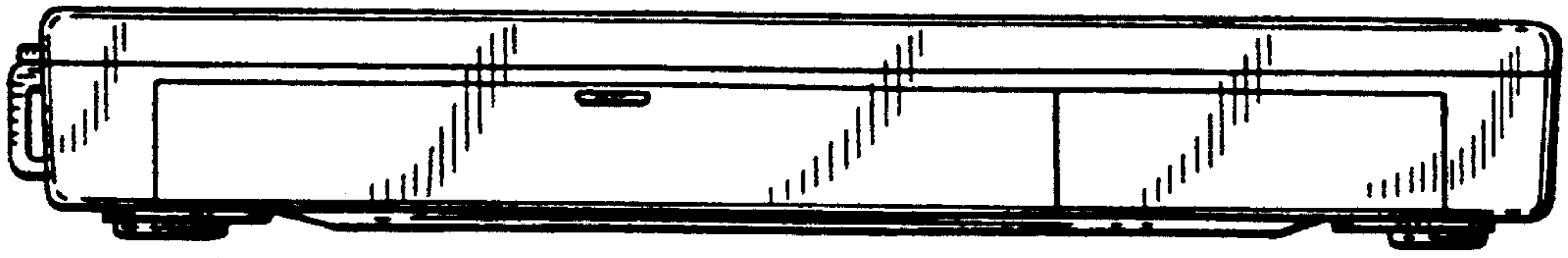


FIG. 5

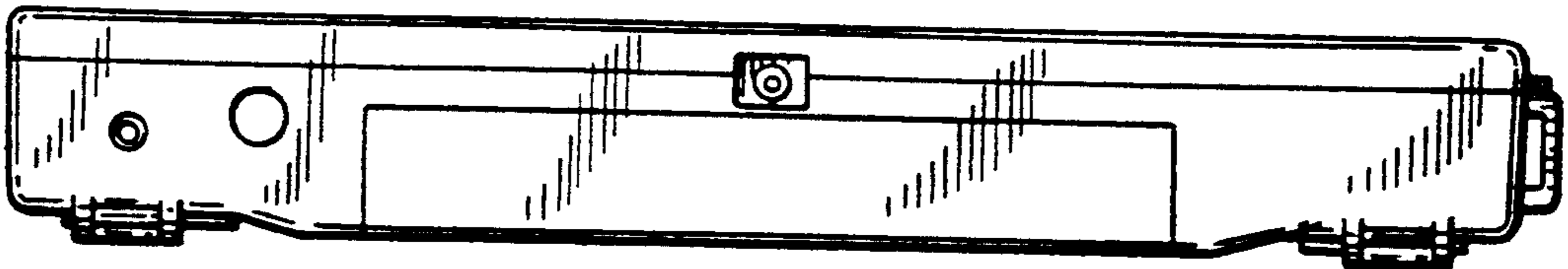


FIG. 6

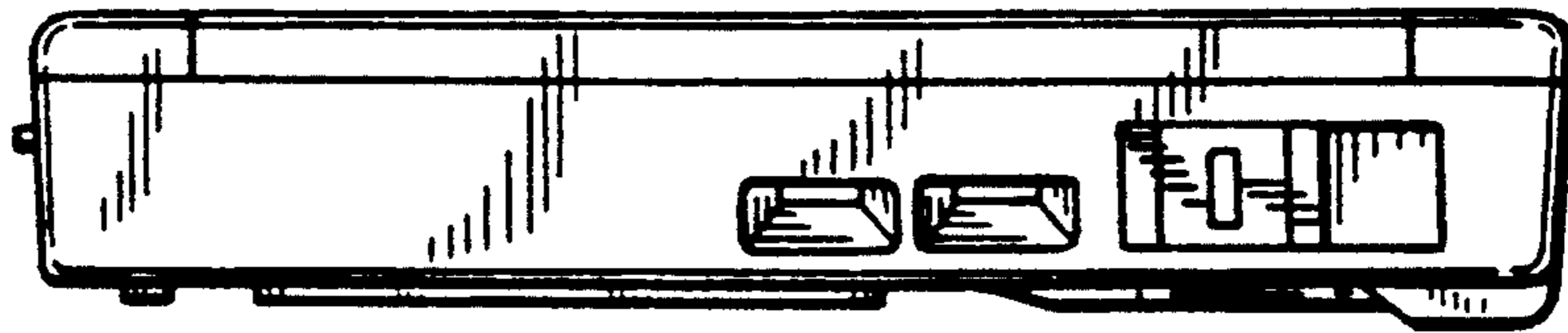


FIG. 7

