



US00D341821S

United States Patent [19]

[11] Patent Number: **Des. 341,821**

Savio

[45] Date of Patent: **** Nov. 30, 1993**

[54] **COMBINED PORTABLE HAND HELD
TERMINAL AND REMOVABLE CARRIER
STRAP**

Primary Examiner—Wallace R. Burke
Assistant Examiner—Freda S. Nunn
Attorney, Agent, or Firm—Bernard D. Bodgon

[75] Inventor: **Dino M. Savio**, Clearwater, Fla.

[57] **CLAIM**

[73] Assignee: **International Business Machines
Corporation**, Armonk, N.Y.

The ornamental design for a combined portable hand held terminal and removable carrier strap, as shown and described.

[**] Term: **14 Years**

DESCRIPTION

[21] Appl. No.: **737,541**

FIG. 1 is a top right frontal perspective view of the combined portable hand held terminal and removable carrier strap showing my new design;

[22] Filed: **Jul. 19, 1991**

[52] U.S. Cl. **D14/100**

FIG. 2 is a bottom left frontal perspective view of the terminal;

[58] Field of Search D14/100, 101, 106, 113,
D14/115; 235/145 A, 145 R; 340/700, 706,
711, 712; 341/22, 23; 364/708, 709.04; 361/390,
394

FIG. 3 is a bottom left rear perspective view of the terminal with a removable carrier strap and strap attachment apparatus;

[56] **References Cited**

U.S. PATENT DOCUMENTS

D. 264,347	5/1982	Peroni	D14/113 X
D. 289,873	5/1987	Gemmell et al.	D14/113
D. 315,549	3/1991	Clough et al.	D14/100
D. 317,151	5/1991	Daly	D14/100
D. 319,433	8/1991	Pearce	D14/100
4,814,760	3/1989	Johnston et al.	340/706 X

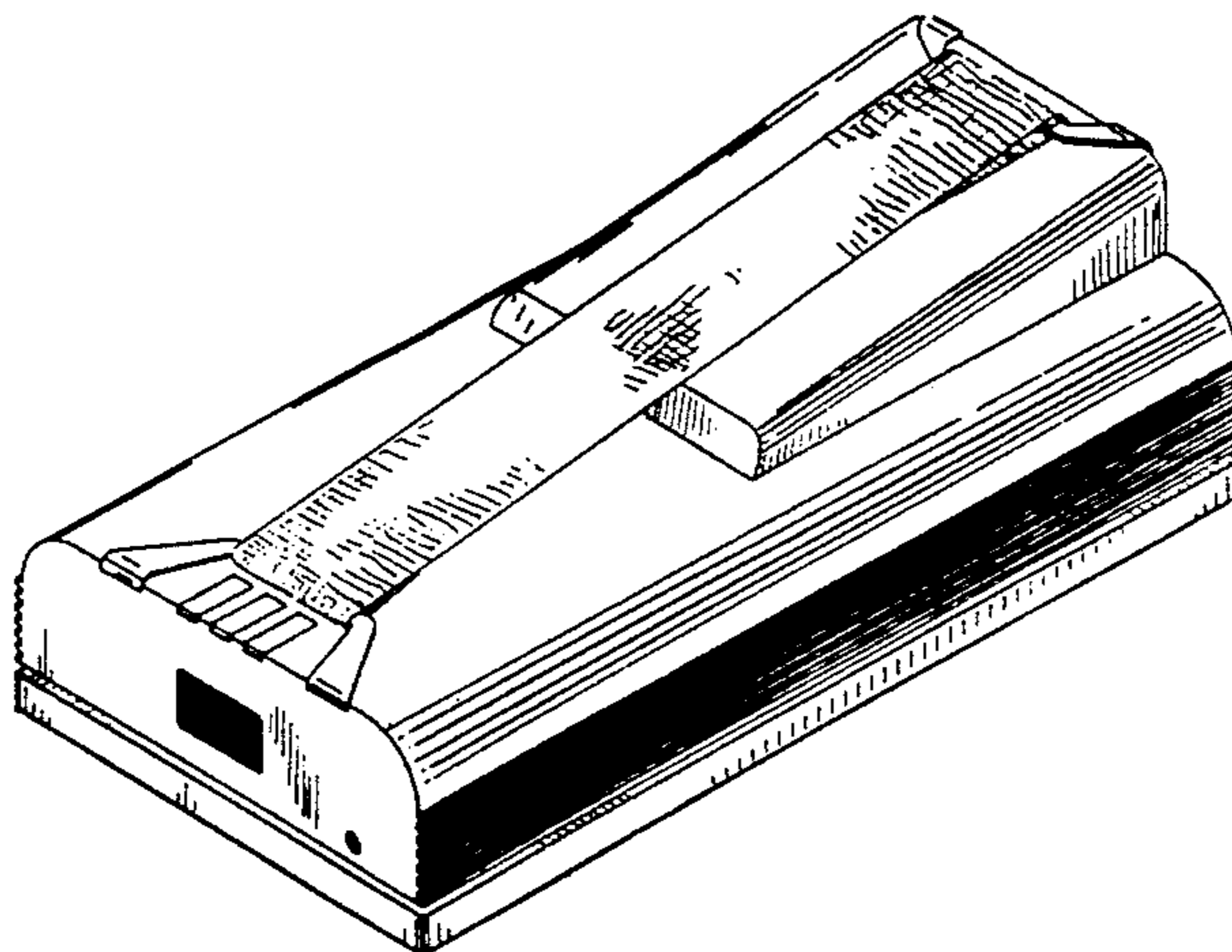
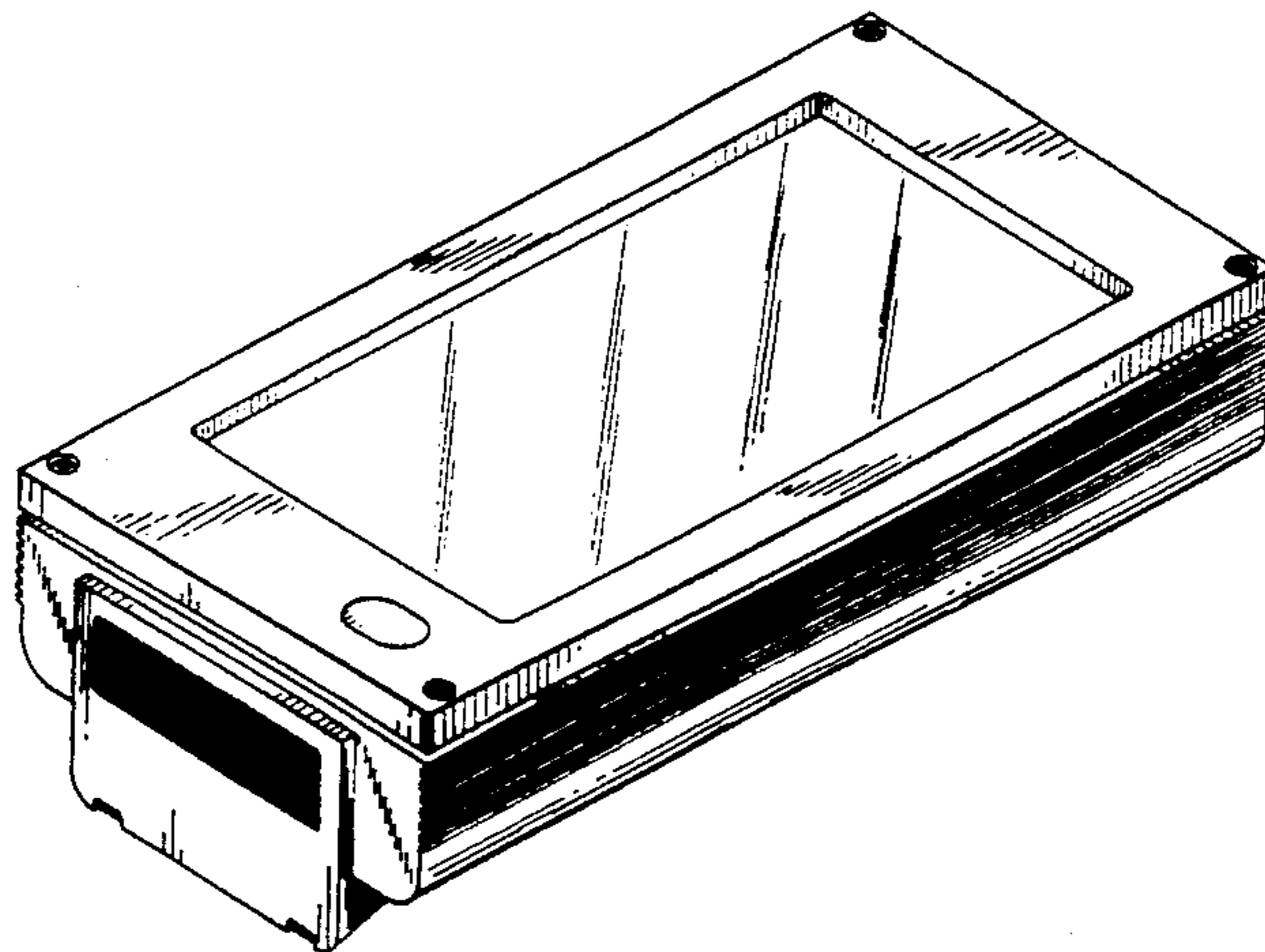
FIG. 4 is a side elevational view of the terminal on an enlarged scale;

FIG. 5 is a frontal view of the terminal;

FIG. 6 is a rear view of the terminal; and,

FIG. 7 is a rear view of the terminal with a removable carrier strap as illustrated in FIG. 3.

The shading shown on the strap in the figures represents a conventional fabric.



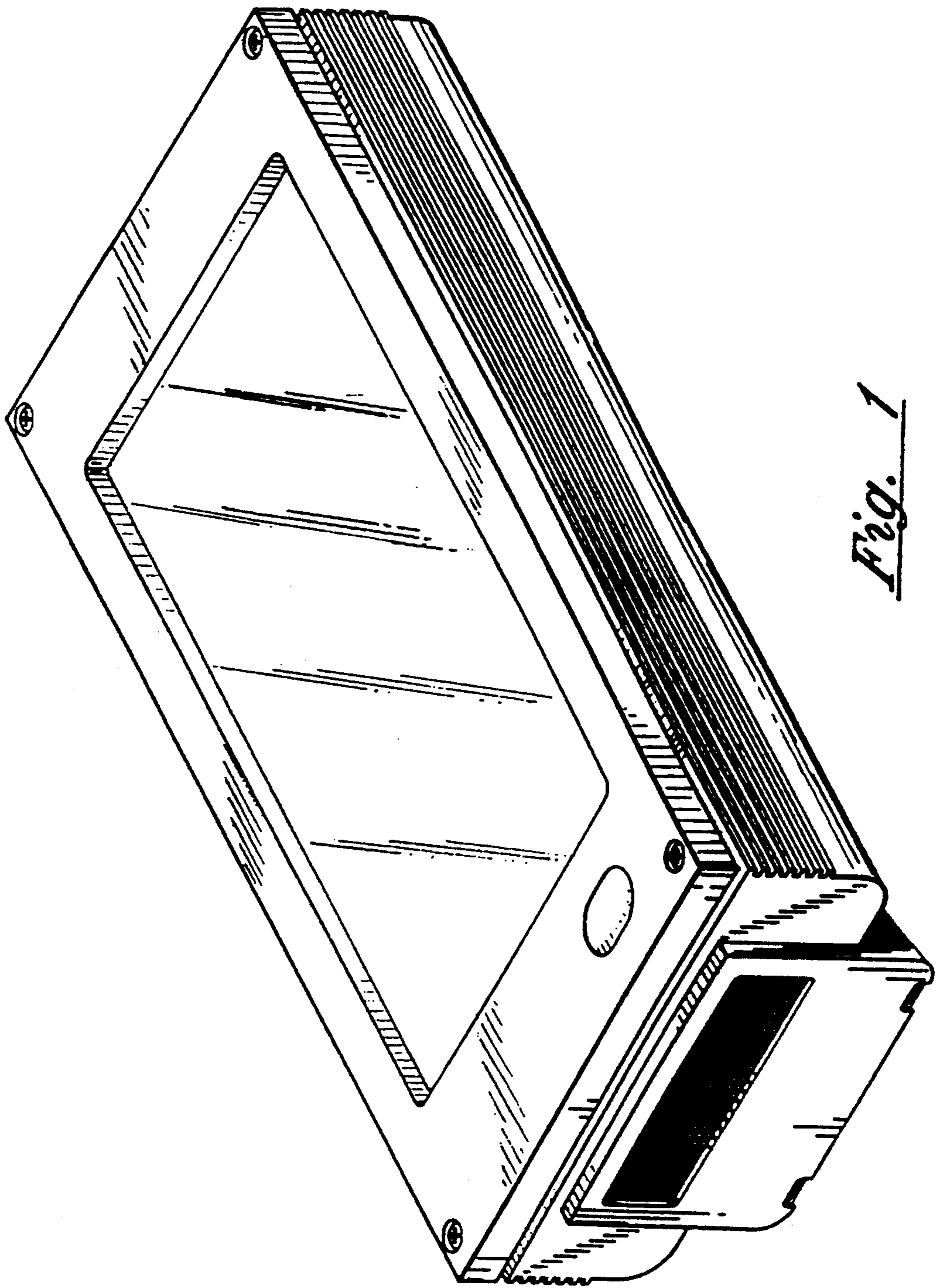


Fig. 1

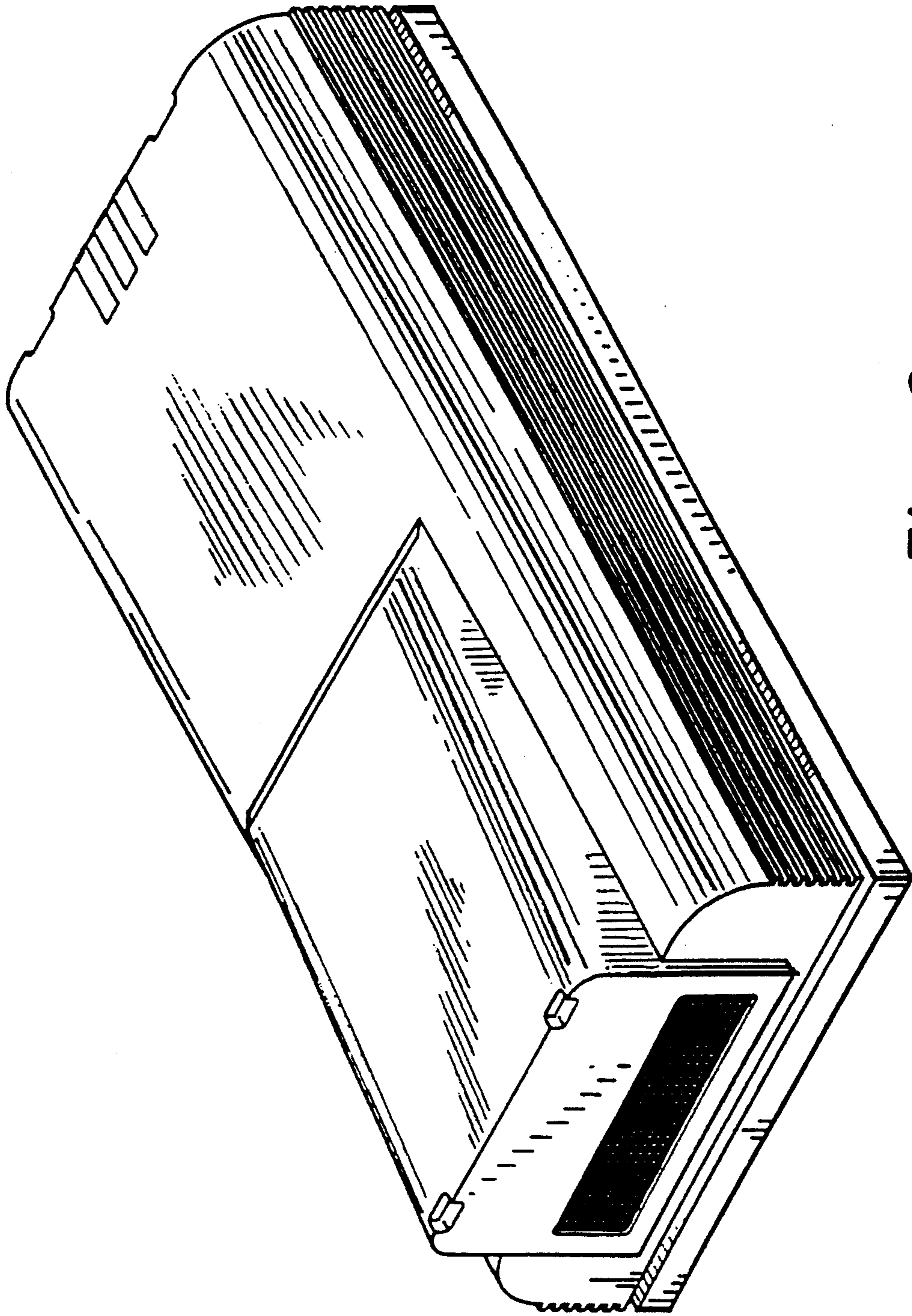


Fig. 2

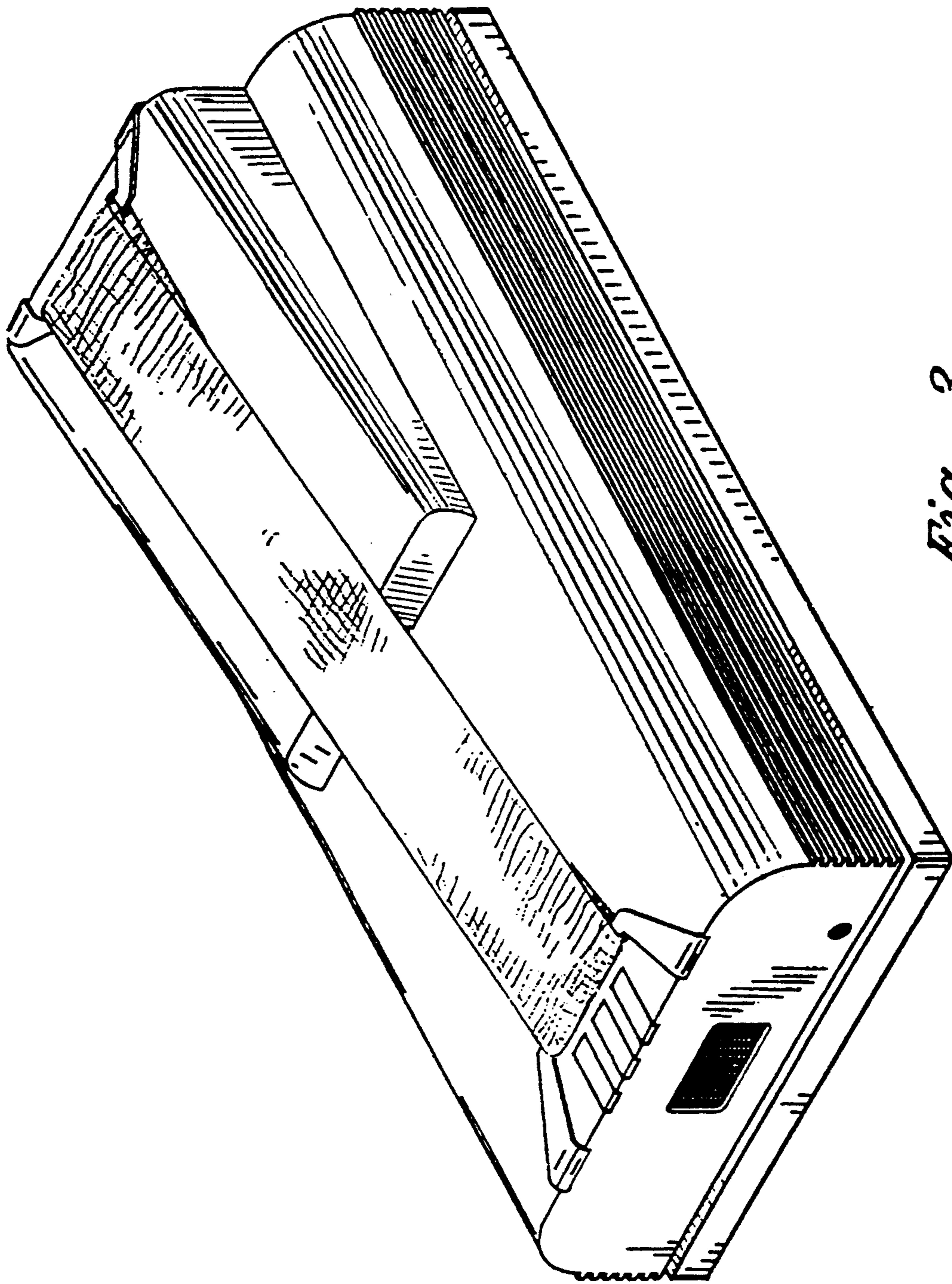


Fig. 3

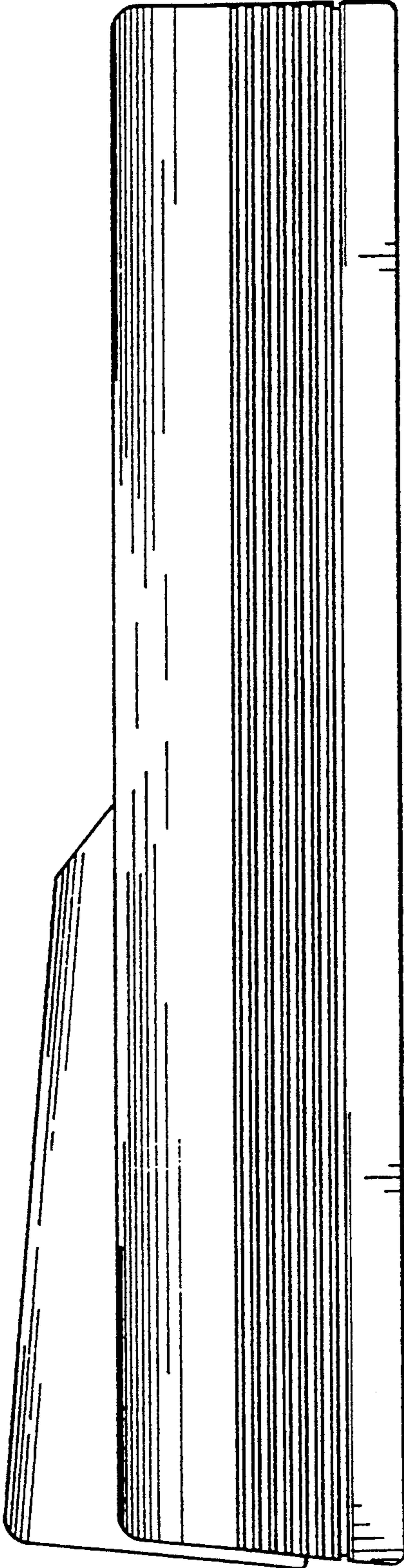


Fig. 4

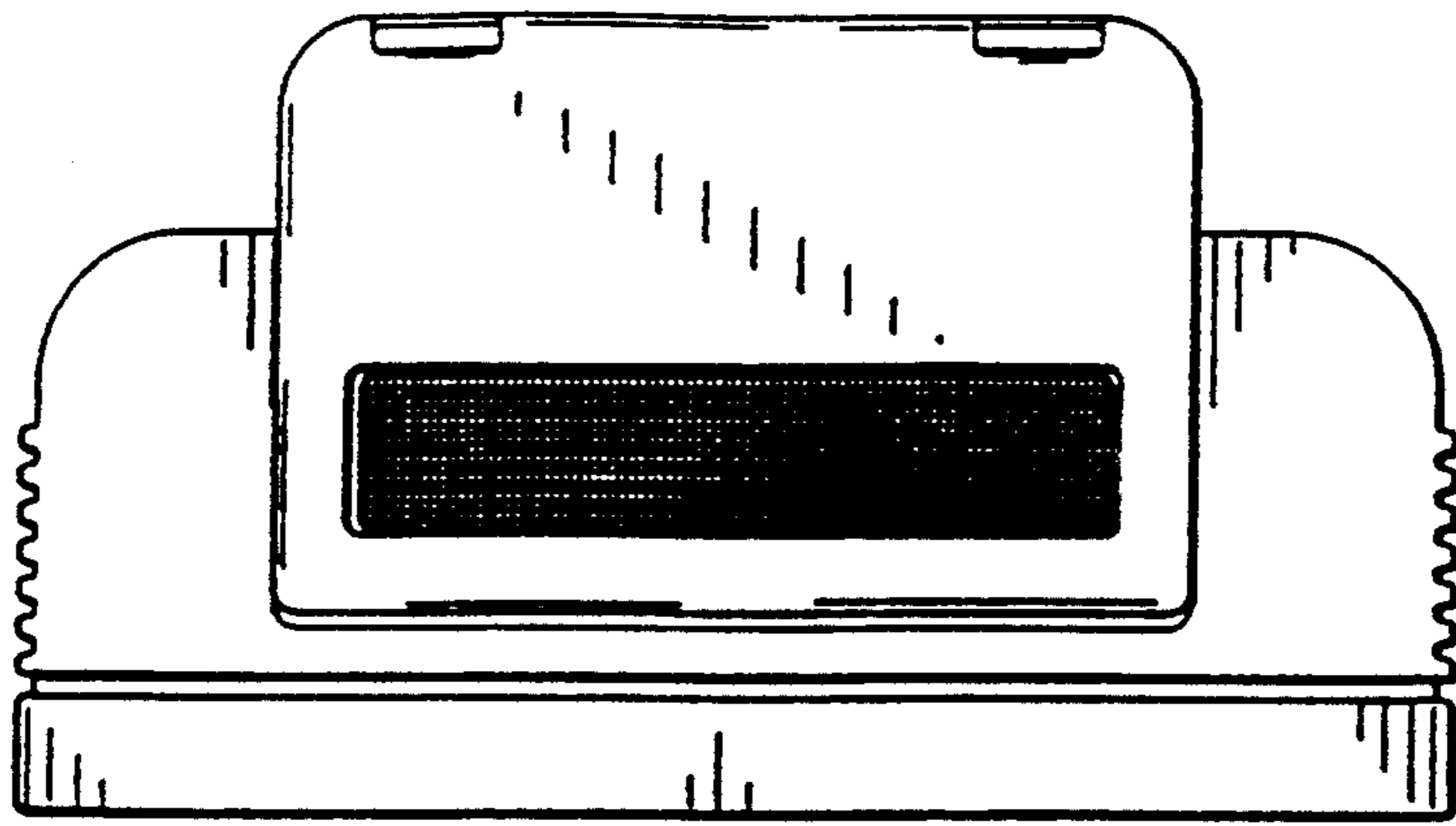


Fig. 5

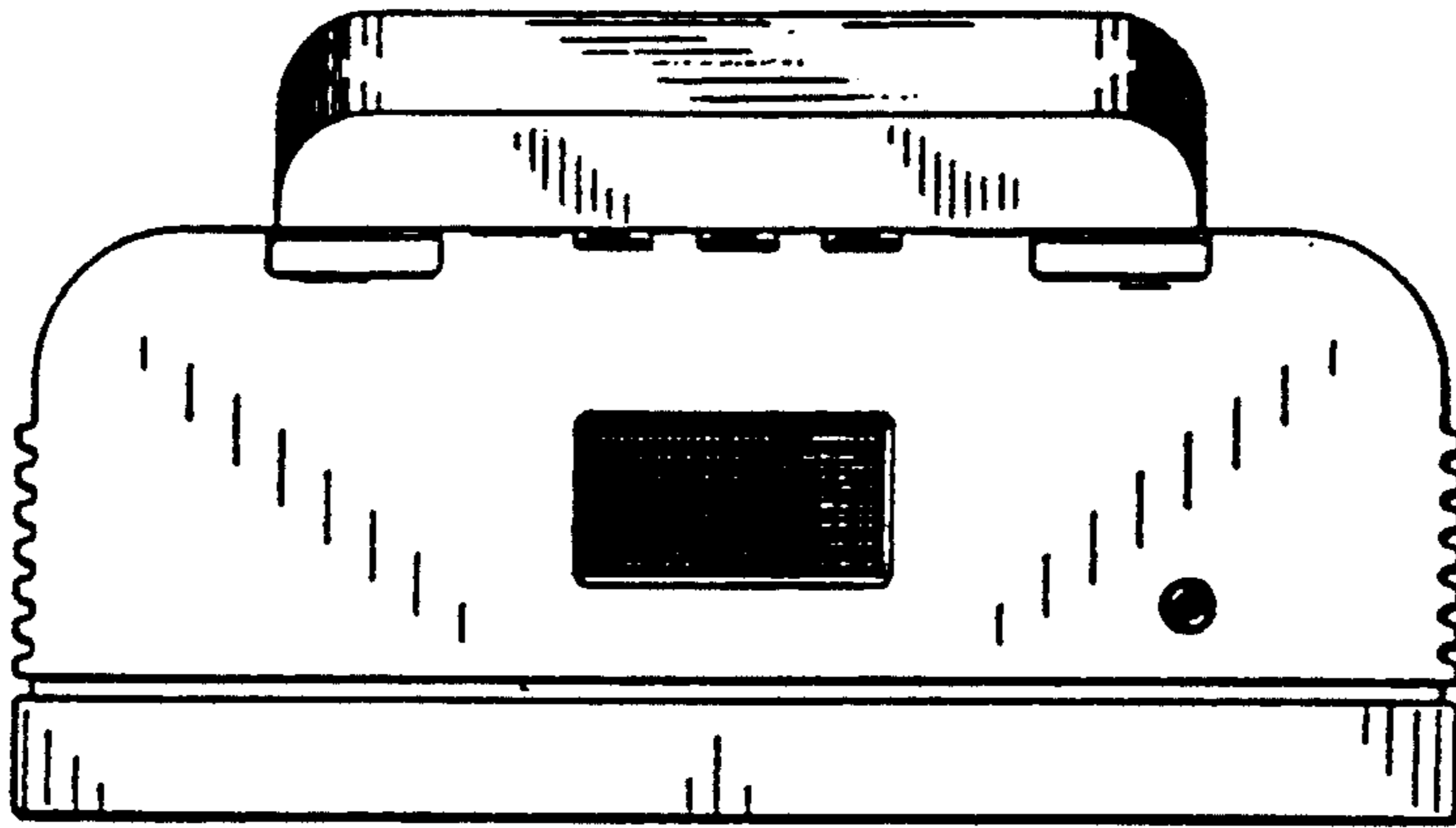


Fig. 6

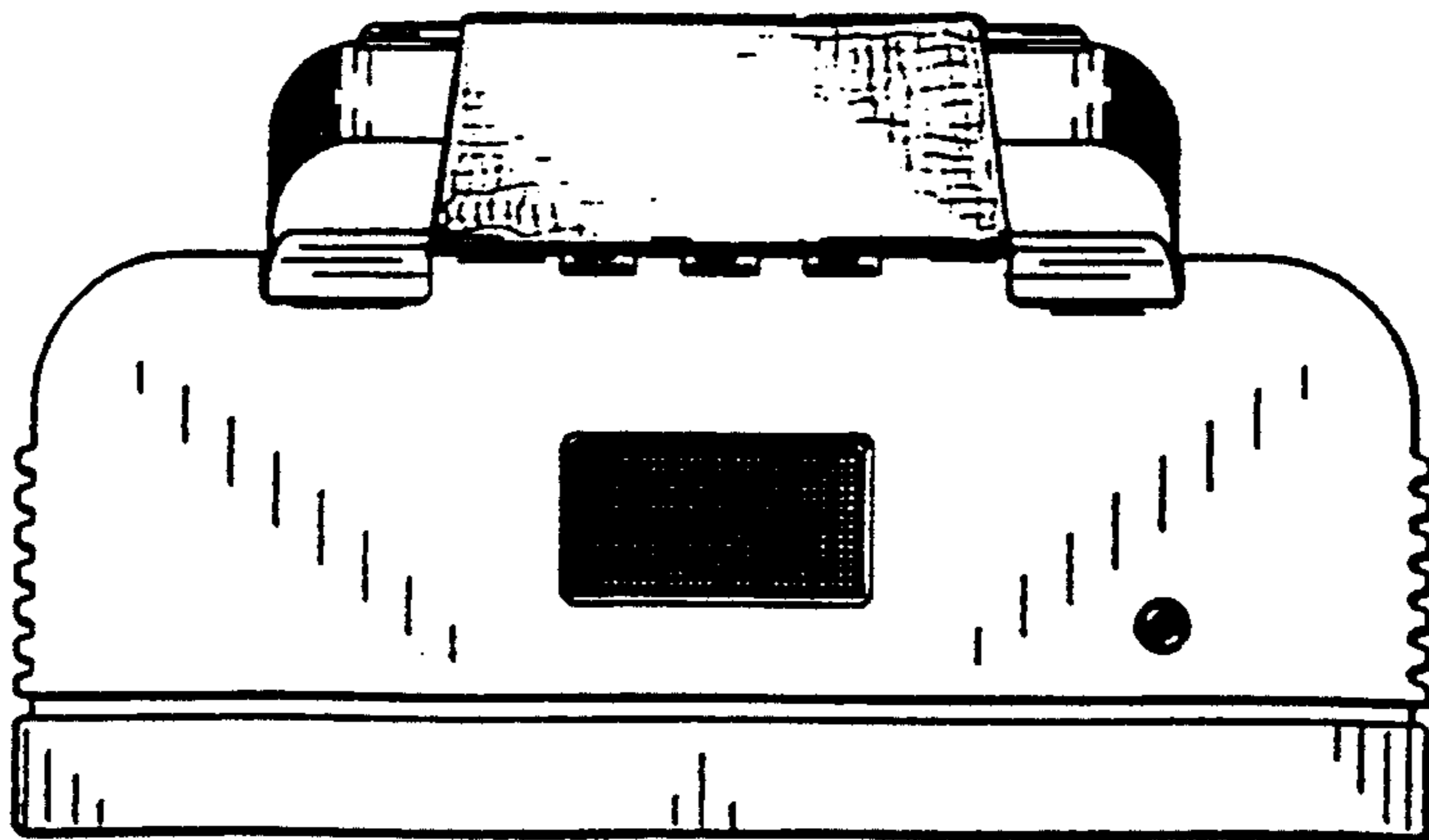


Fig. 7