



US00D341819S

United States Patent [19]

[11] Patent Number: **Des. 341,819**

Carlstrom

[45] Date of Patent: **** Nov. 30, 1993**

[54] **SHELF BRACKET**

[75] Inventor: **William Carlstrom, Far Hills, N.J.**

[73] Assignee: **Lyle/Carlstrom, Somerville, N.J.**

[**] Term: **14 Years**

[21] Appl. No.: **813,414**

[22] Filed: **Dec. 27, 1991**

[52] U.S. Cl. **D8/381**

[58] Field of Search **D8/381, 363; 211/186, 211/187; 248/235, 297.2, 246**

D. 327,839 7/1992 Stumpf et al. D8/381
D. 334,135 3/1993 Fraker et al. D8/381 X

Primary Examiner—Wallace R. Burke
Assistant Examiner—H. Baynham
Attorney, Agent, or Firm—Edward H. Loveman

[57] **CLAIM**

The ornamental design of a shelf bracket, as shown and described.

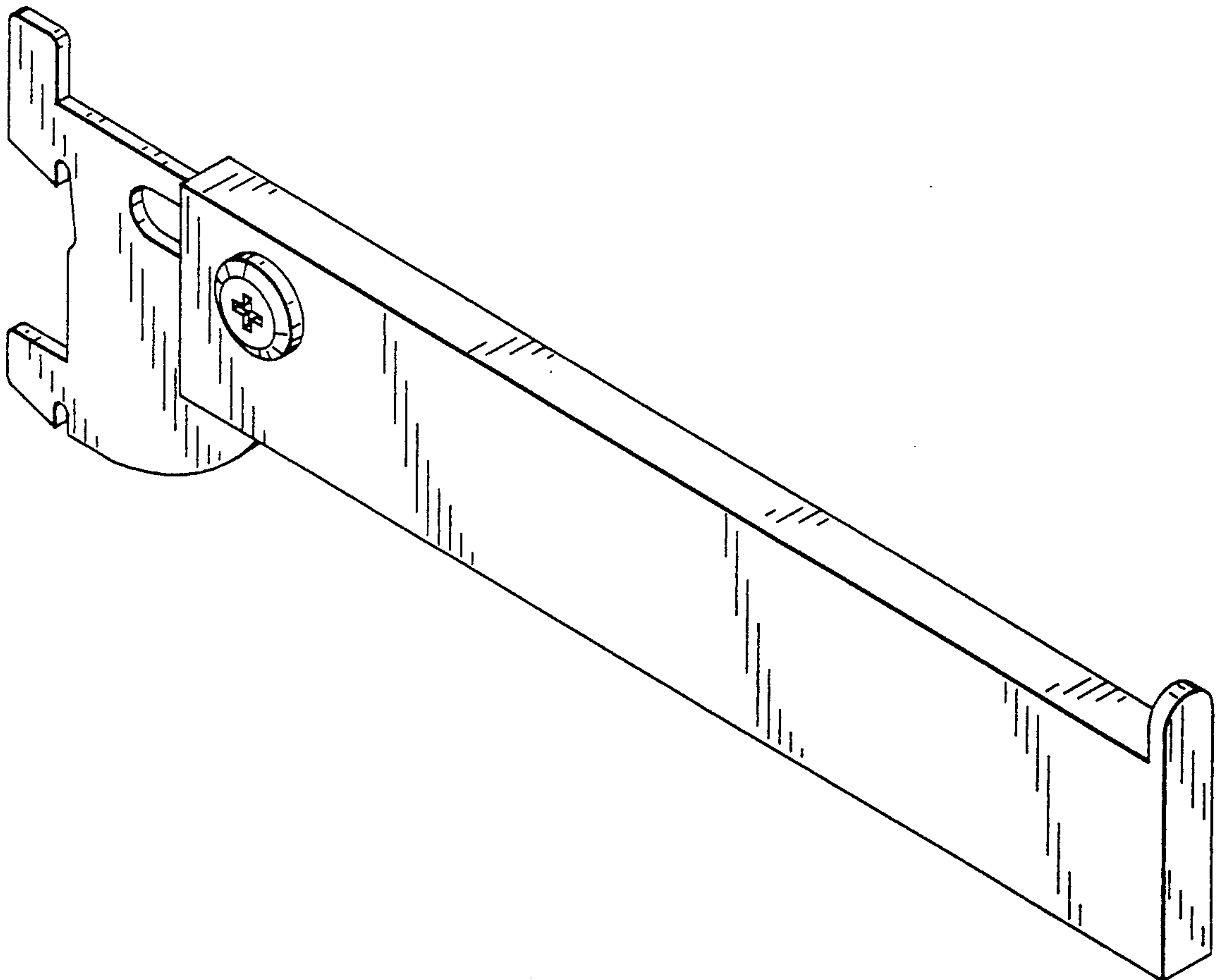
DESCRIPTION

FIG. 1 is a perspective view of a shelf bracket showing my new design;
FIG. 2 is a top plan view thereof;
FIG. 3 is a front elevational view thereof;
FIG. 4 is a bottom plan view thereof;
FIG. 5 is a left side view thereof; and,
FIG. 6 is a right side view thereof.

[56] **References Cited**

U.S. PATENT DOCUMENTS

D. 229,032 11/1973 Ferdinand et al. D8/381
D. 284,608 7/1986 Hampton D8/381 X
D. 294,799 3/1988 Vilkofsky, Jr. D8/380 X



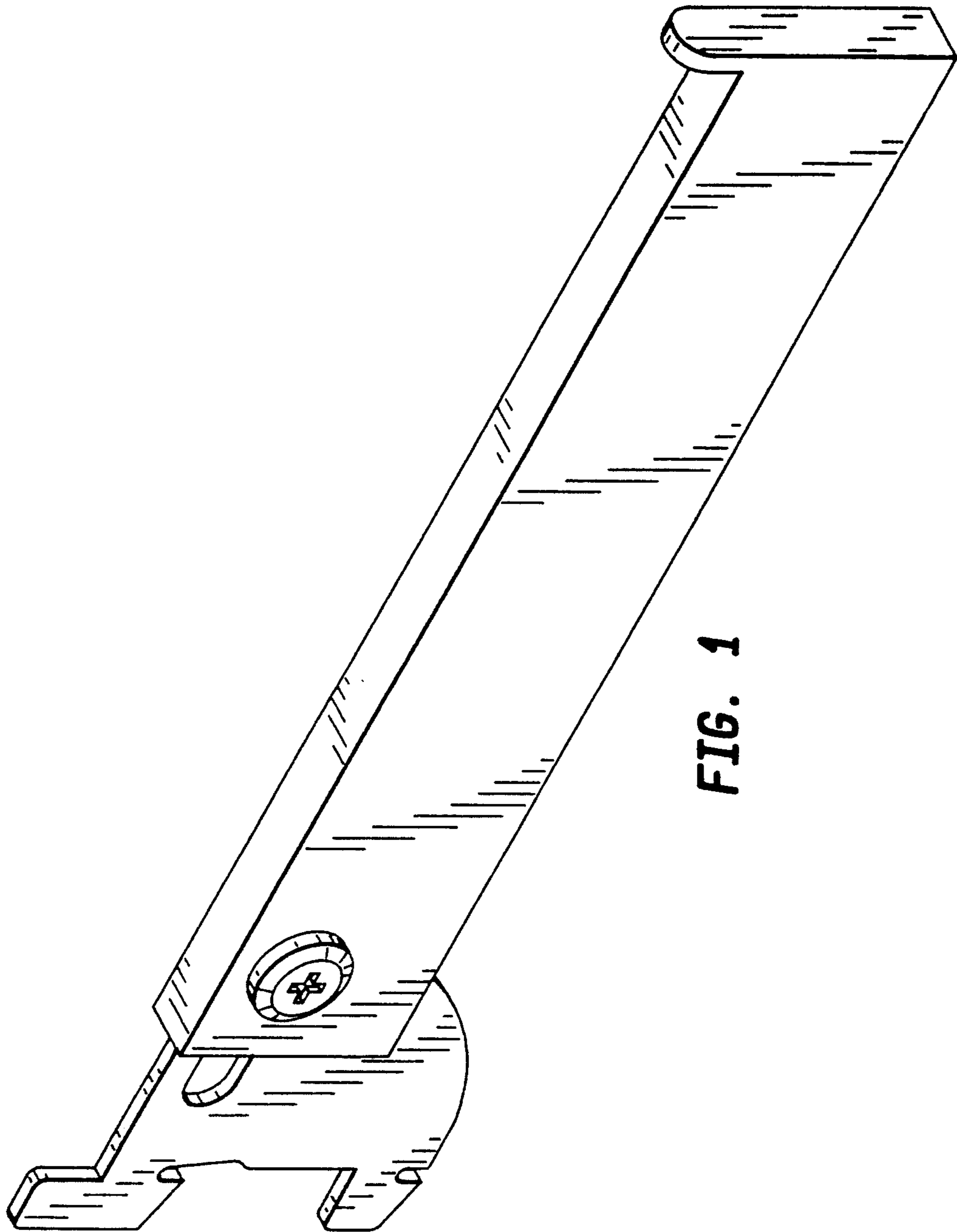


FIG. 1



FIG. 2

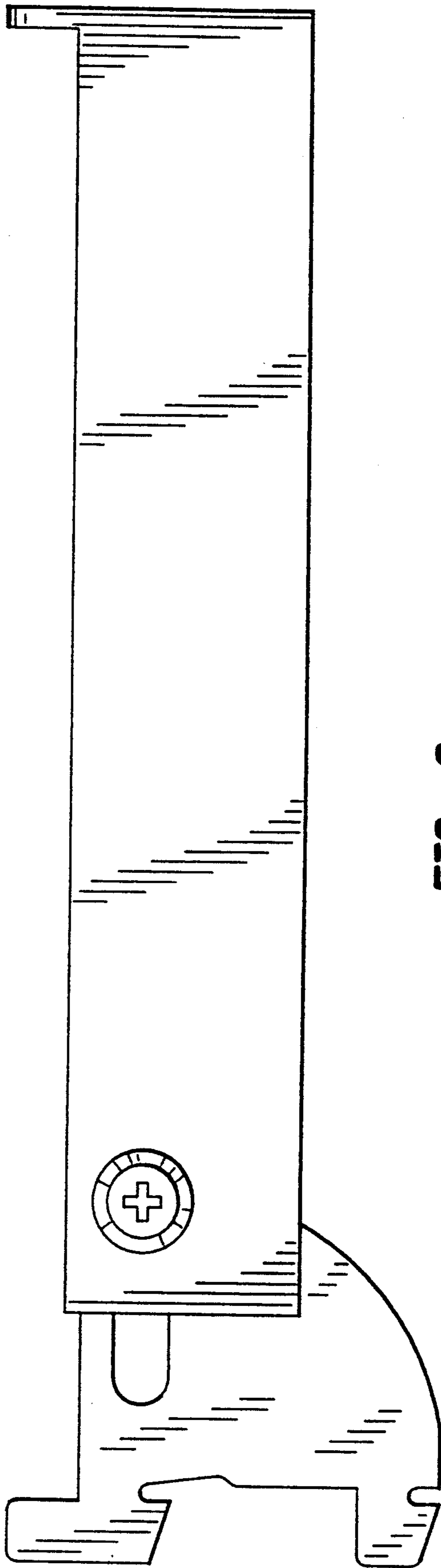


FIG. 3

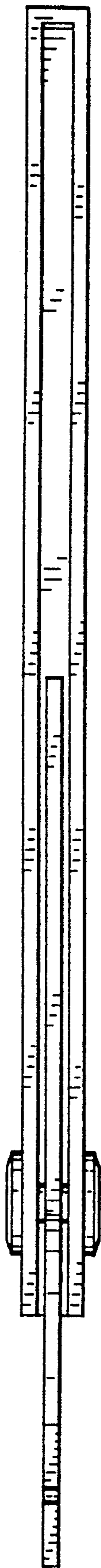


FIG. 4

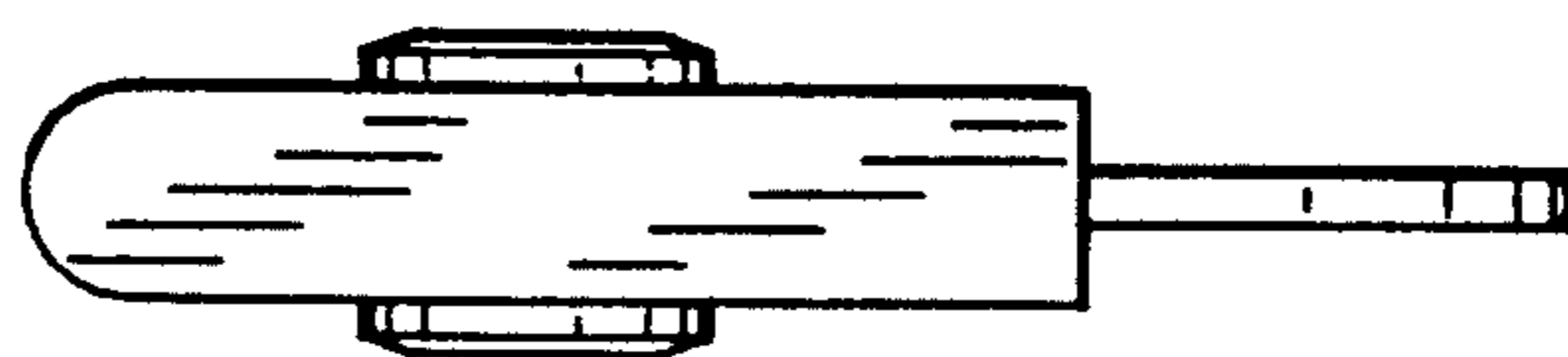


FIG. 6

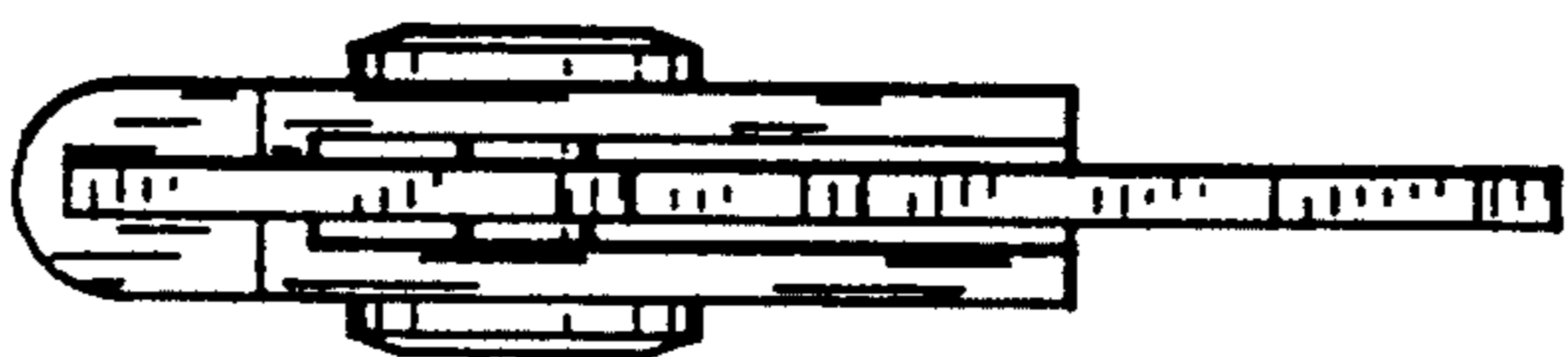


FIG. 5