



US00D341816S

# United States Patent [19]

[11] Patent Number: **Des. 341,816**

**Nagano**

[45] Date of Patent: **\*\* Nov. 30, 1993**

[54] **COMBINED ELECTRICAL PLUG AND CIRCUIT BREAKER**

4,191,985 3/1980 Phillips, Jr. .... D13/142 X  
4,771,367 9/1988 Serr et al. .... 361/102 X

[75] Inventor: **Hiroyuki Nagano, Kadoma, Japan**

### FOREIGN PATENT DOCUMENTS

[73] Assignee: **Hosiden Corporation, Yao, Japan**

2211303 9/1993 Fed. Rep. of Germany ..... 335/18

[\*\*] Term: **14 Years**

*Primary Examiner*—Wallace R. Burke

[21] Appl. No.: **834,120**

*Assistant Examiner*—Joel Sincavage

[22] Filed: **Feb. 13, 1992**

*Attorney, Agent, or Firm*—Armstrong, Westerman,  
Hattori, McLeland & Naughton

[30] **Foreign Application Priority Data**

[57] **CLAIM**

Aug. 13, 1991 [JP] Japan ..... 3-24598

The ornamental design of an combined electrical plug and circuit breaker, as shown and described.

[52] U.S. Cl. .... **D13/142; D13/160**

### DESCRIPTION

[58] Field of Search ..... D13/139, 142, 160;  
361/93, 102; 337/66; 335/18, 20

FIG. 1 is a perspective view, taken from the front, right hand side of an combined electrical plug and circuit breaker showing my new design;

[56] **References Cited**

#### U.S. PATENT DOCUMENTS

- D. 246,241 11/1977 Jacobs ..... D13/142 X
- D. 280,794 10/1985 Dickey ..... D13/142 X
- D. 300,314 3/1989 Krzyzanowski et al. .... D13/142 X
- D. 325,380 4/1992 Rao et al. .... D13/142 X
- D. 332,252 1/1993 Kovacik et al. .... D13/142

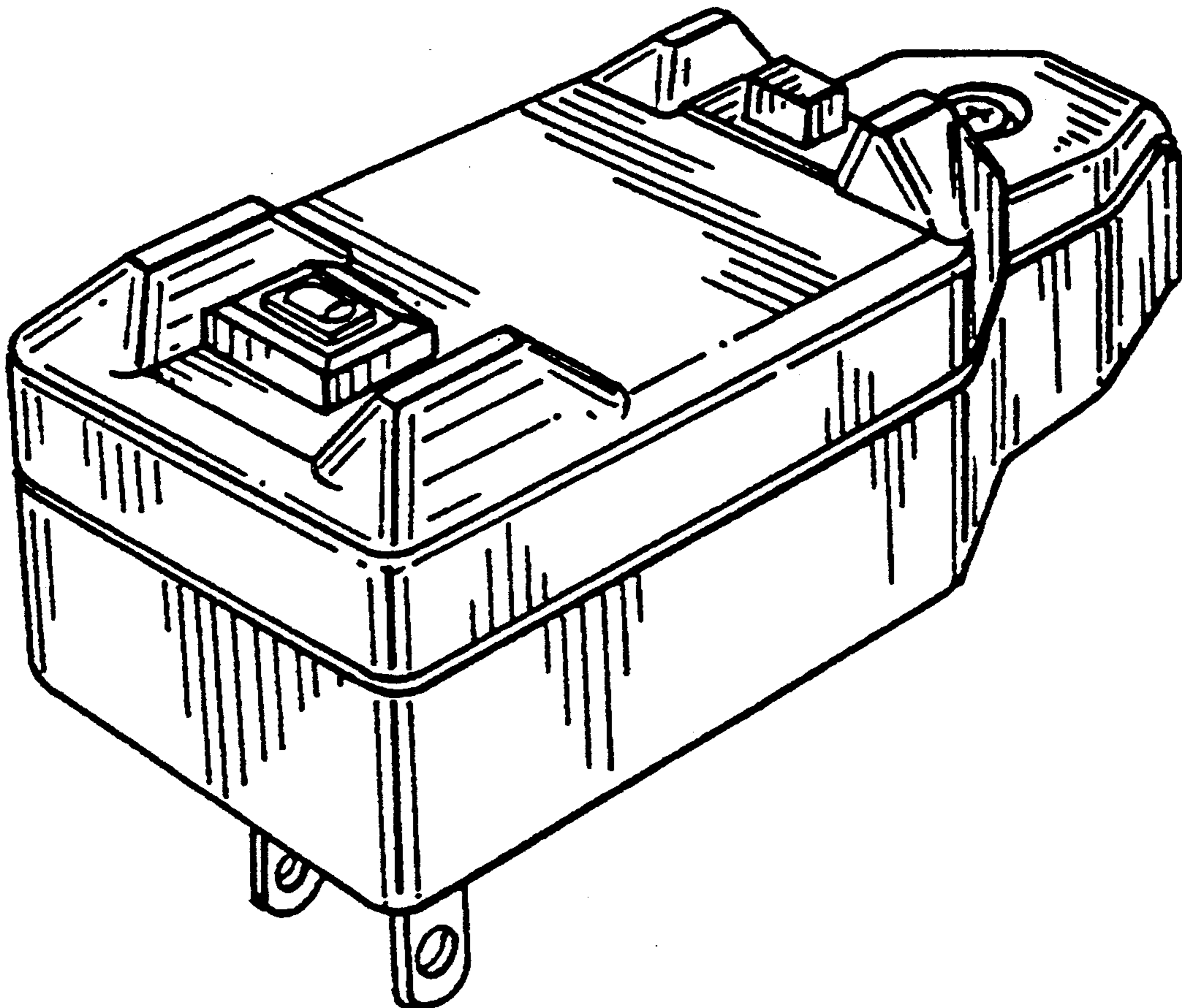
FIG. 2 is a top plan view thereof;

FIG. 3 is a bottom plan view thereof;

FIG. 4 is a view of the right side thereof, the left side being a mirror image;

FIG. 5 is a front view thereof; and,

FIG. 6 is a rear view thereof.



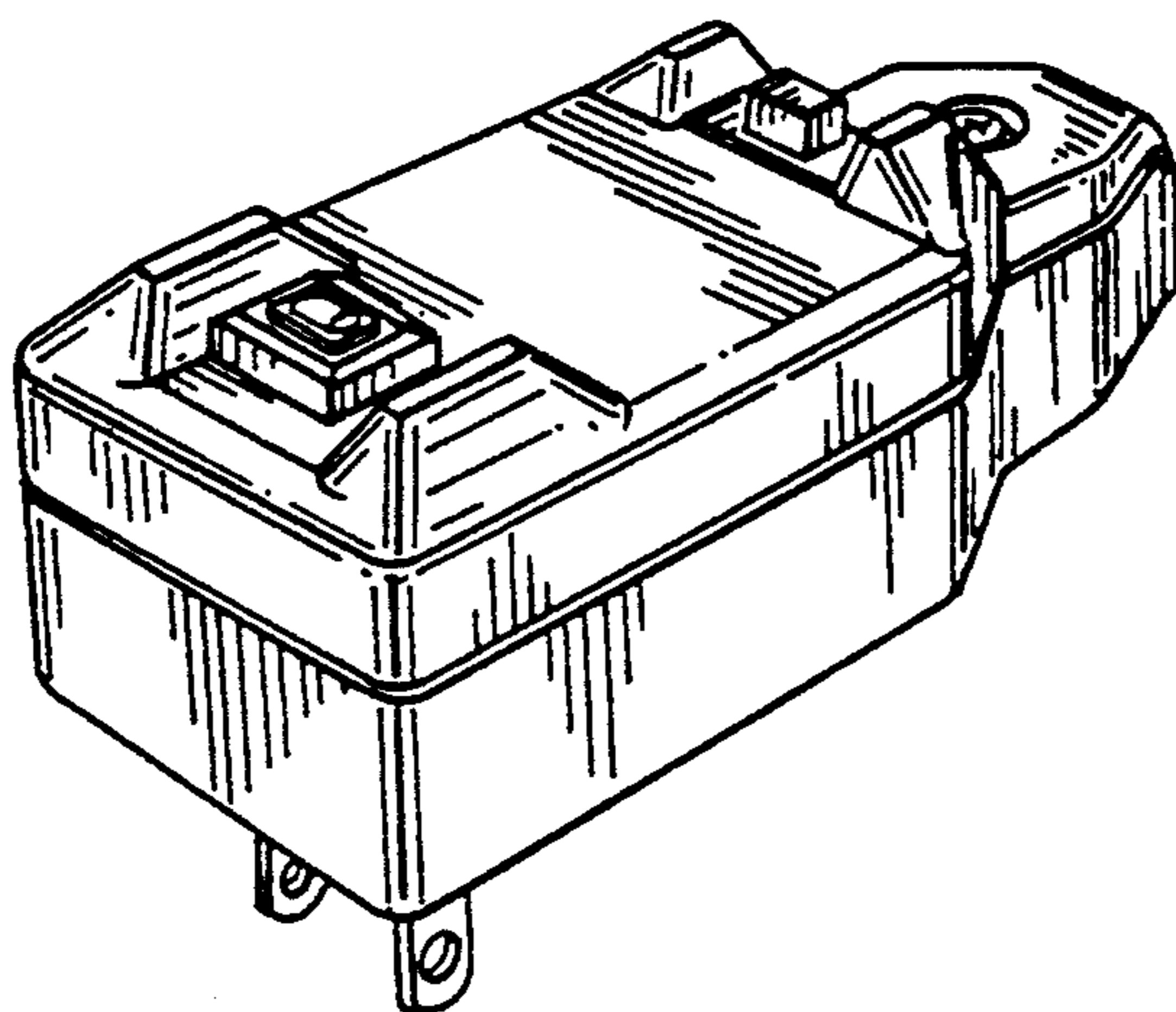


FIG. 1

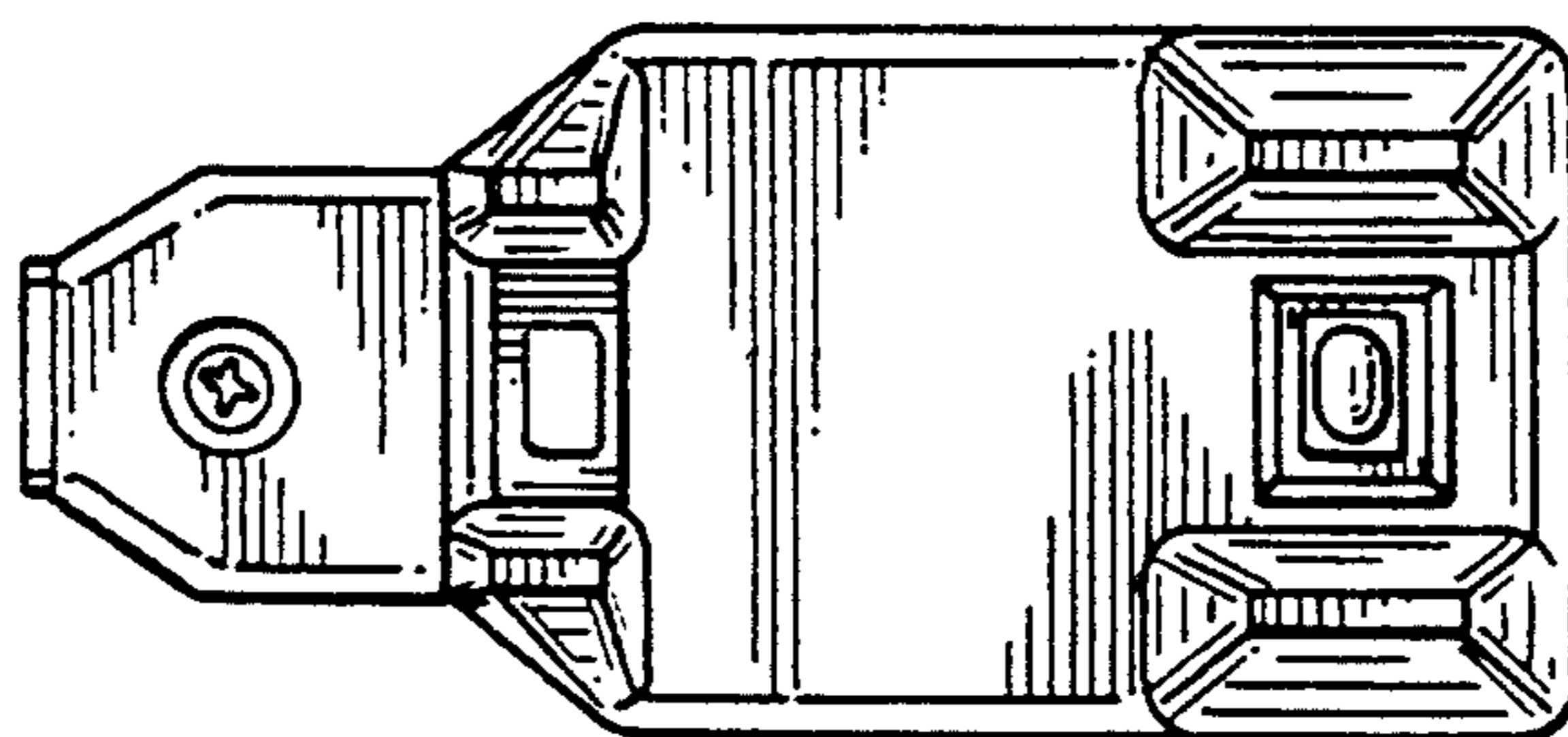


FIG. 2

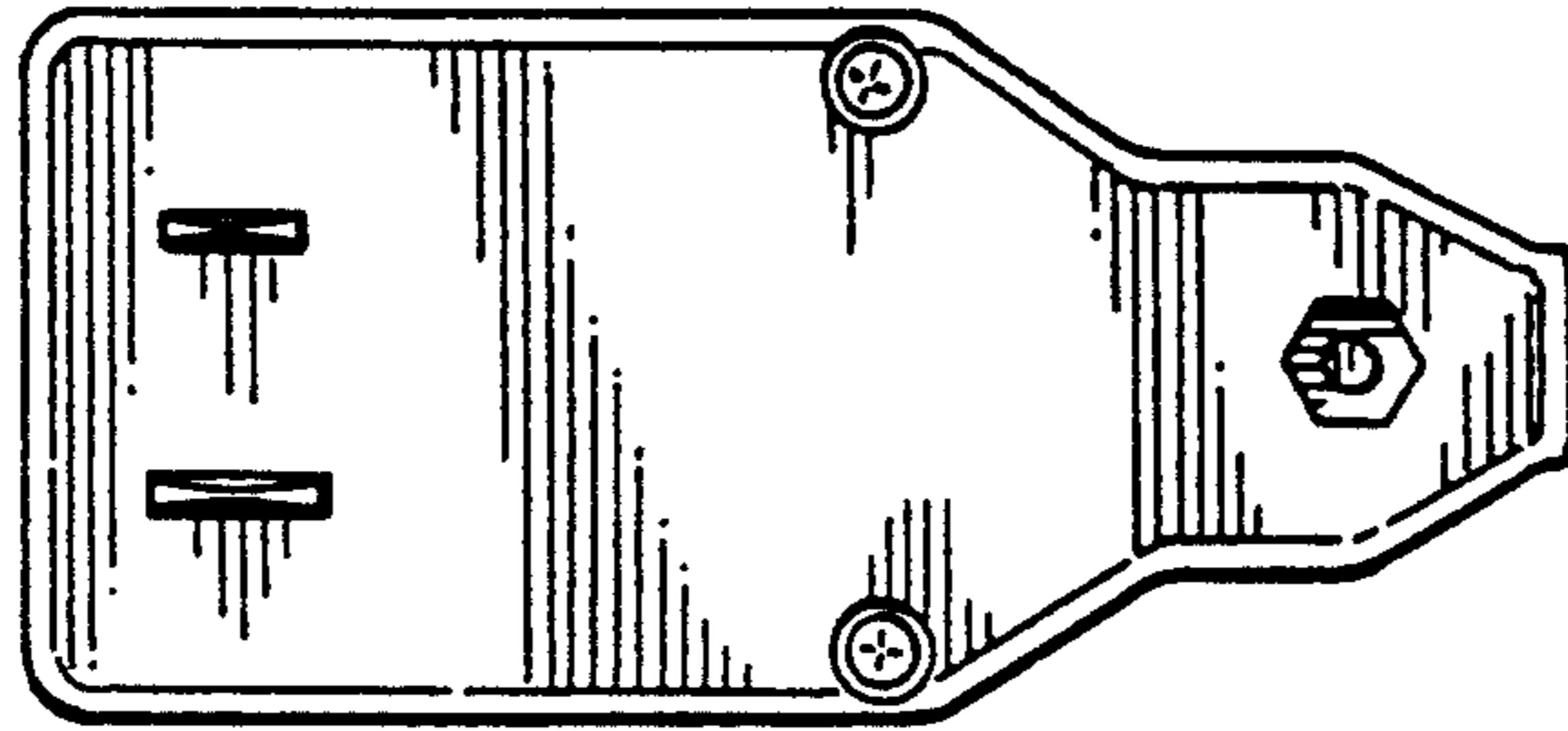


FIG. 3

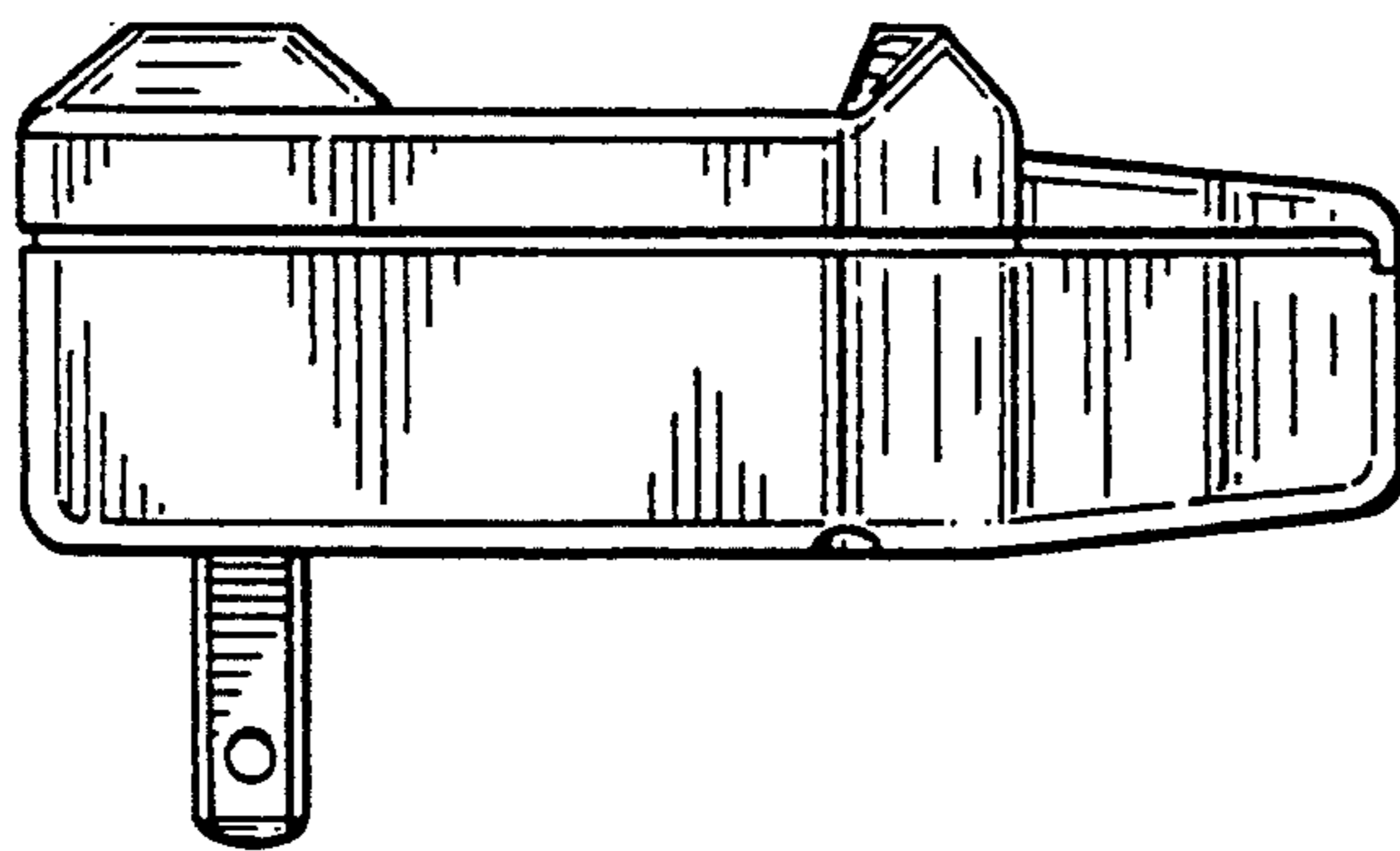


FIG. 4

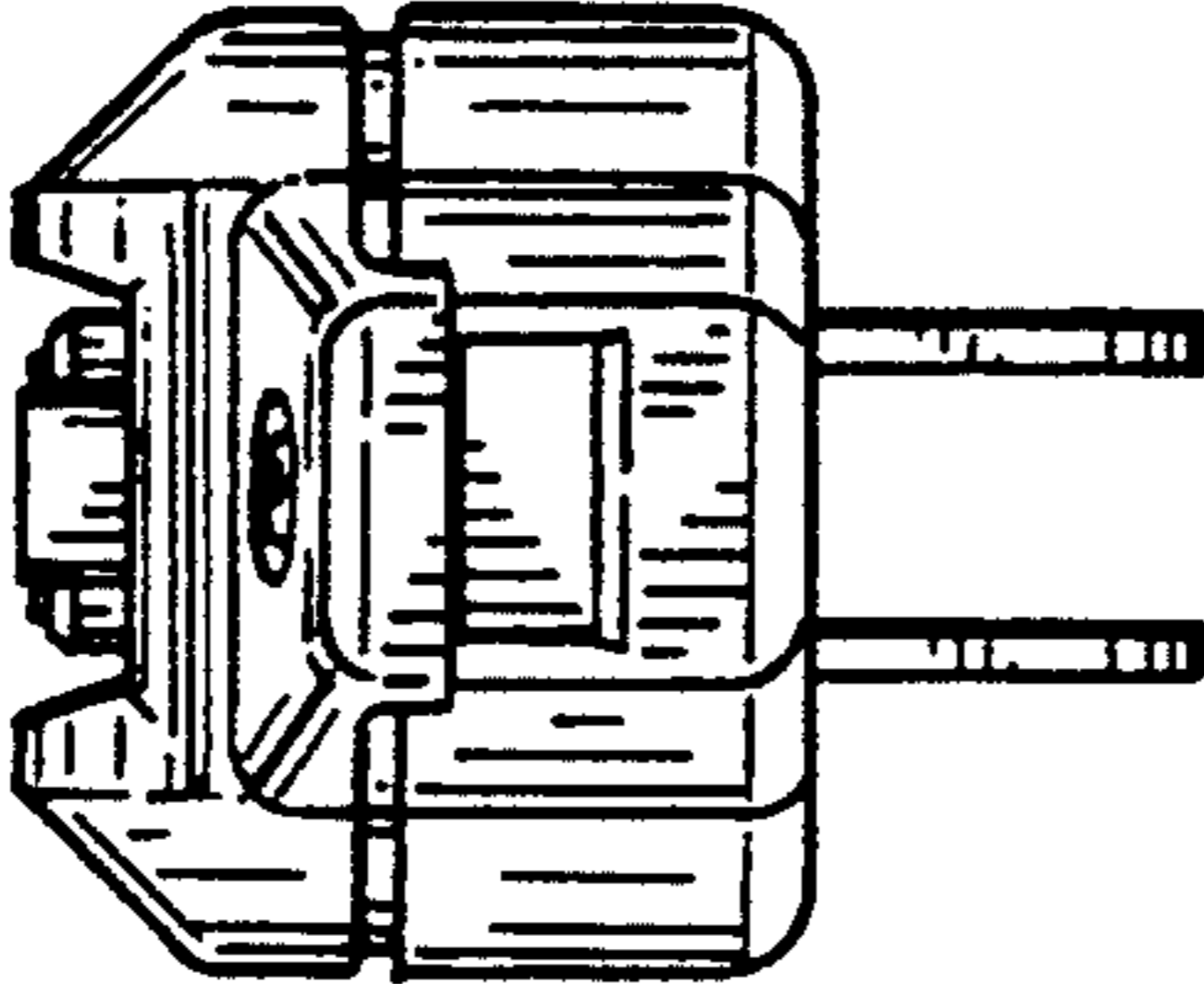


FIG. 5

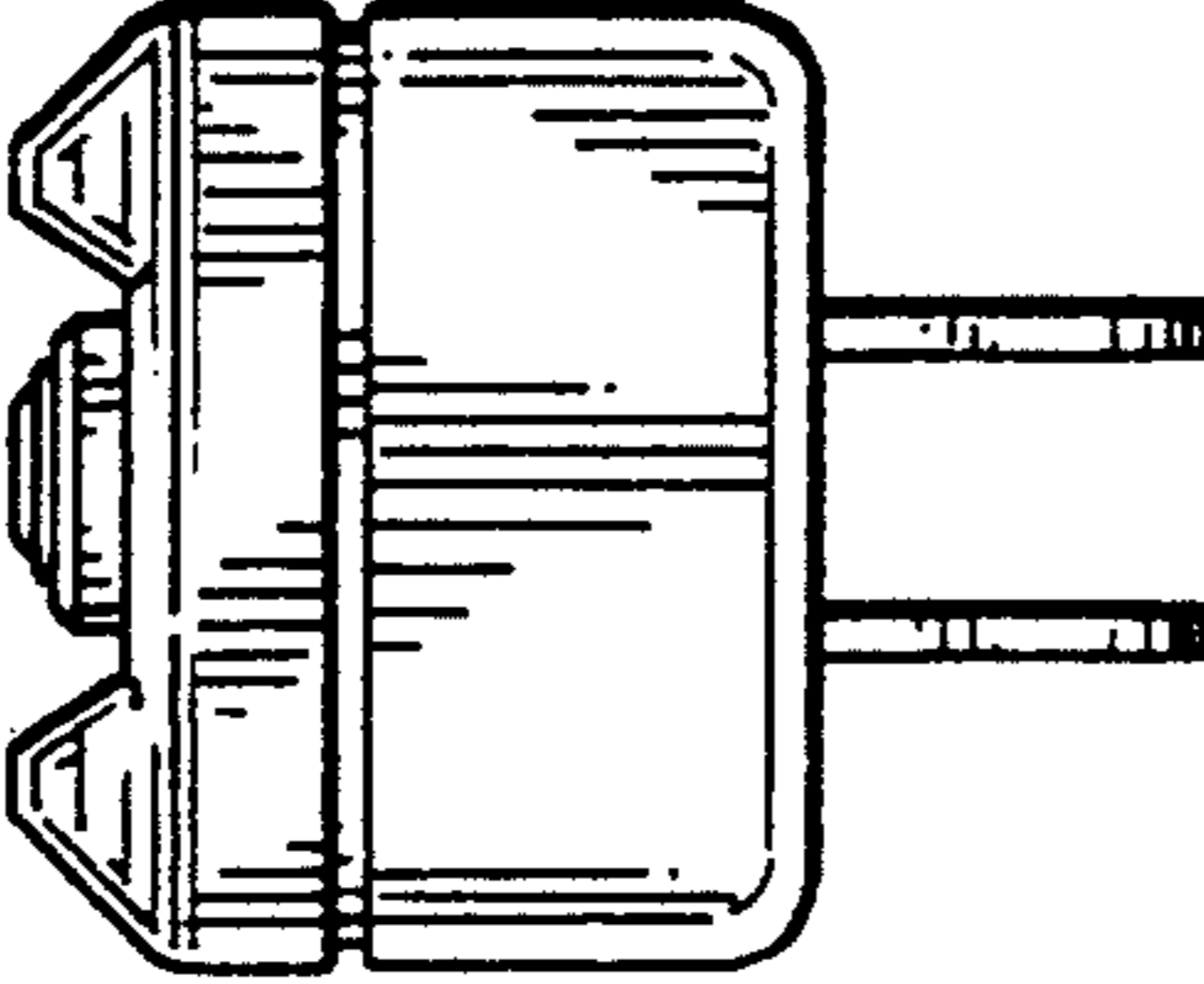


FIG. 6