



US00D341815S

United States Patent [19]

[11] Patent Number: **Des. 341,815**

Blood et al.

[45] Date of Patent: **** Nov. 30, 1993**

[54] TELECOMMUNICATIONS TEST CONNECTOR

[75] Inventors: **Dennis C. Blood**, North St. Paul, Minn.; **Daryl E. Ingalsbe**, Blair, Nebr.; **David L. Ingalsbe**, Hastings, Minn.

[73] Assignee: **Independent Technologies, Inc.**, Omaha, Nebr.

[**] Term: **14 Years**

[21] Appl. No.: **659,127**

[22] Filed: **Feb. 22, 1991**

[52] U.S. Cl. **D13/133**

[58] Field of Search **D13/133, 140; 439/169, 439/219, 482, 502, 668, 669, 912**

[56] References Cited

U.S. PATENT DOCUMENTS

D. 256,581	8/1980	Bartin	D13/140
D. 297,231	8/1988	Rasnake et al.	D13/140
D. 298,313	11/1988	De Jong	D13/133
2,857,570	10/1958	Simpson	439/502 X
4,611,875	9/1986	Clarke et al.	339/154
4,648,682	3/1987	Tubbs	339/154
4,878,848	11/1989	Ingalsbe	439/76
4,975,087	12/1990	Williams et al.	439/668

FOREIGN PATENT DOCUMENTS

2617662 1/1989 France 439/669

OTHER PUBLICATIONS

Telephone Line Tester ITC-3007 on p.V of *Specialized Products Co. Fall 1989 Catalog*.
Connectors and cables B on p. 69 of *Specialized Products Co. Fall 1989 Catalog*.

Primary Examiner—Wallace R. Burke
Assistant Examiner—Joel Sincavage
Attorney, Agent, or Firm—Joel D. Skinner

[57] CLAIM

The ornamental design for a telecommunications test connector, as shown and described.

DESCRIPTION

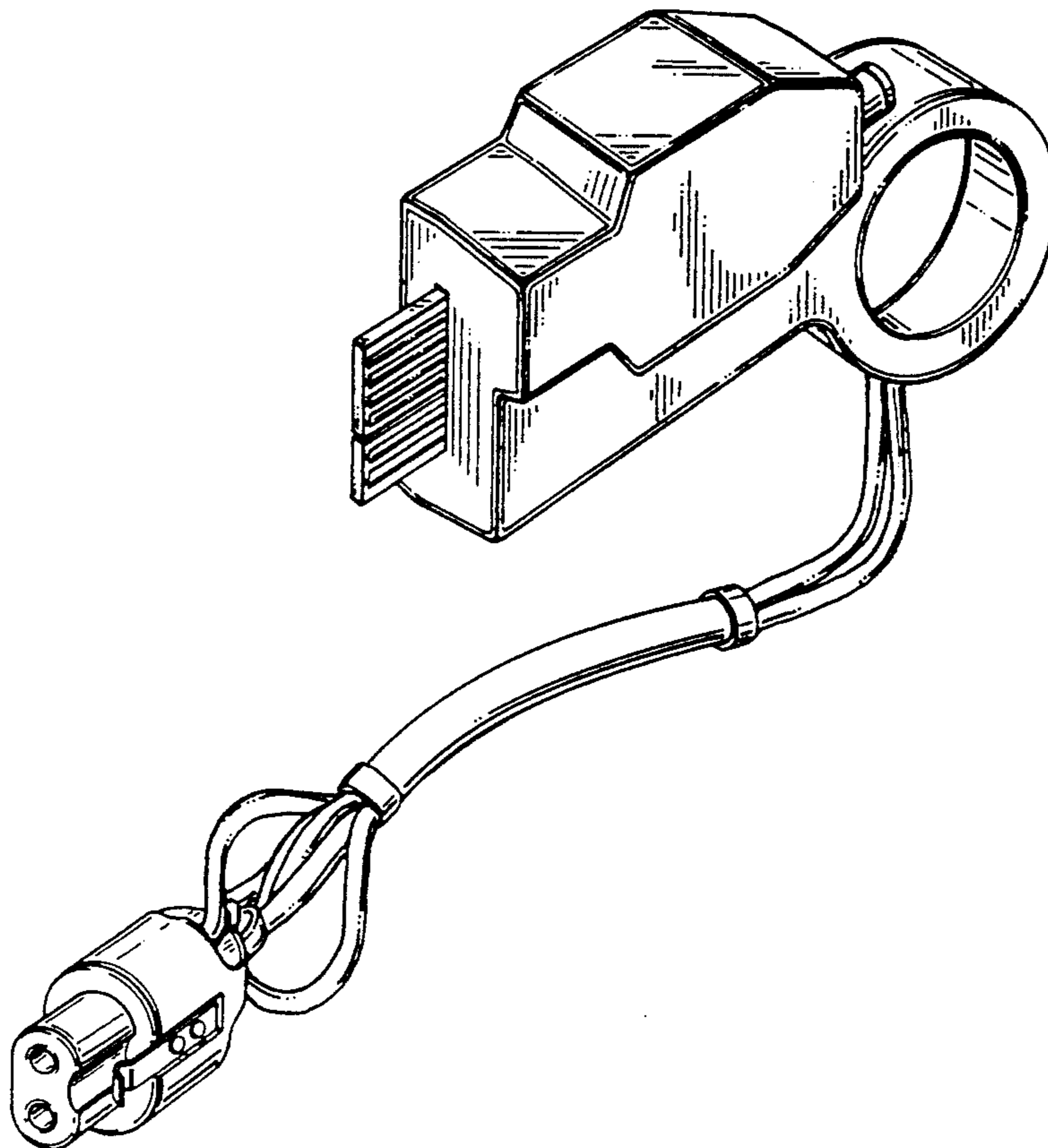
FIG. 1 is a right side elevational view of a telecommunications test connector showing our new design, the complete cord and plug being omitted for convenience of illustration;

FIG. 2 is a front elevational view thereof;

FIG. 3 is a left side elevational view thereof;

FIG. 4 is a left side elevational view of a telecommunications test connector showing our new design with the complete cord and plug; and,

FIG. 5 is a front and upper right perspective view thereof with the plug rotated 180 degrees from that shown in FIG. 4 to clearly show the retainer clip.



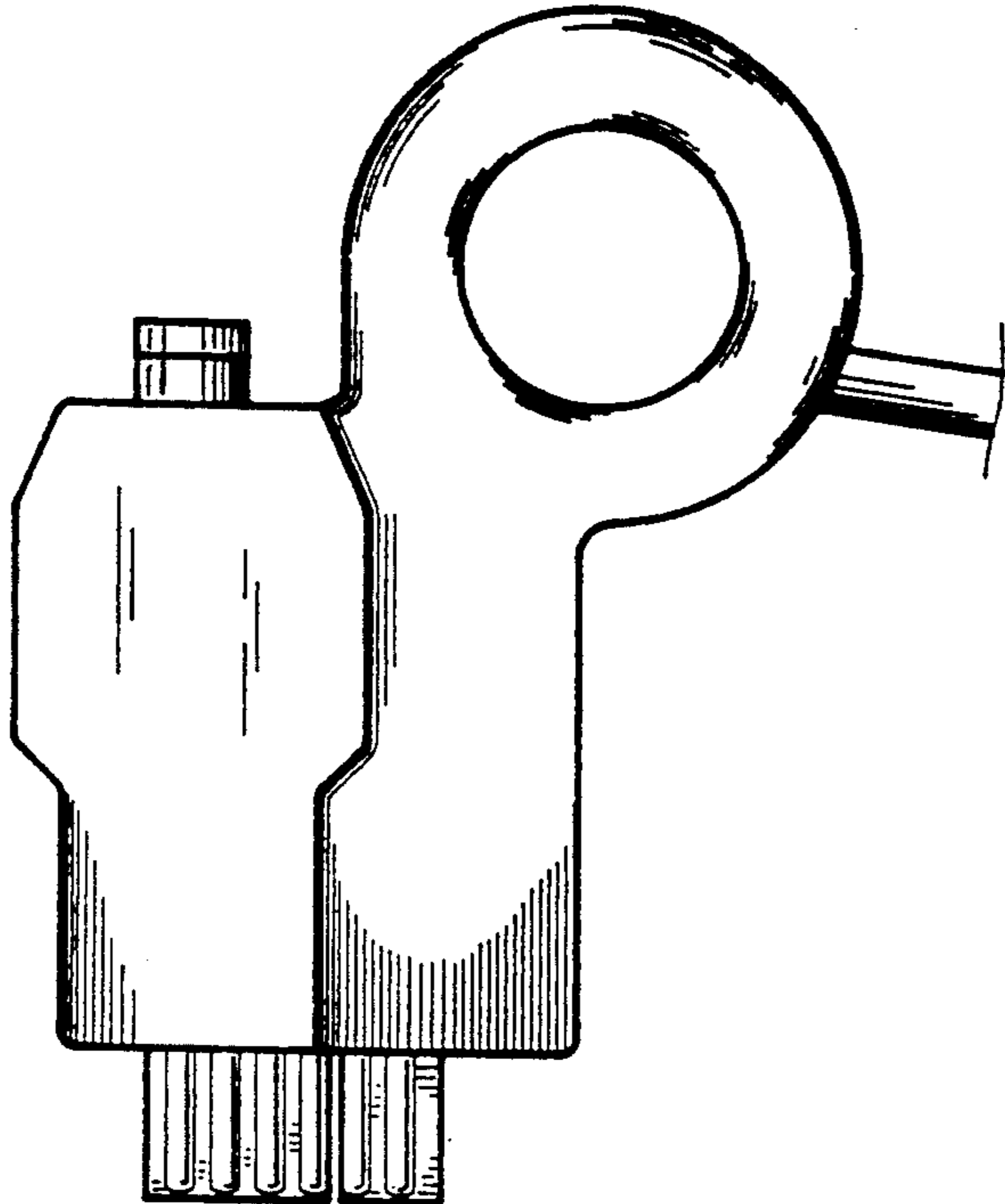


Fig. 1

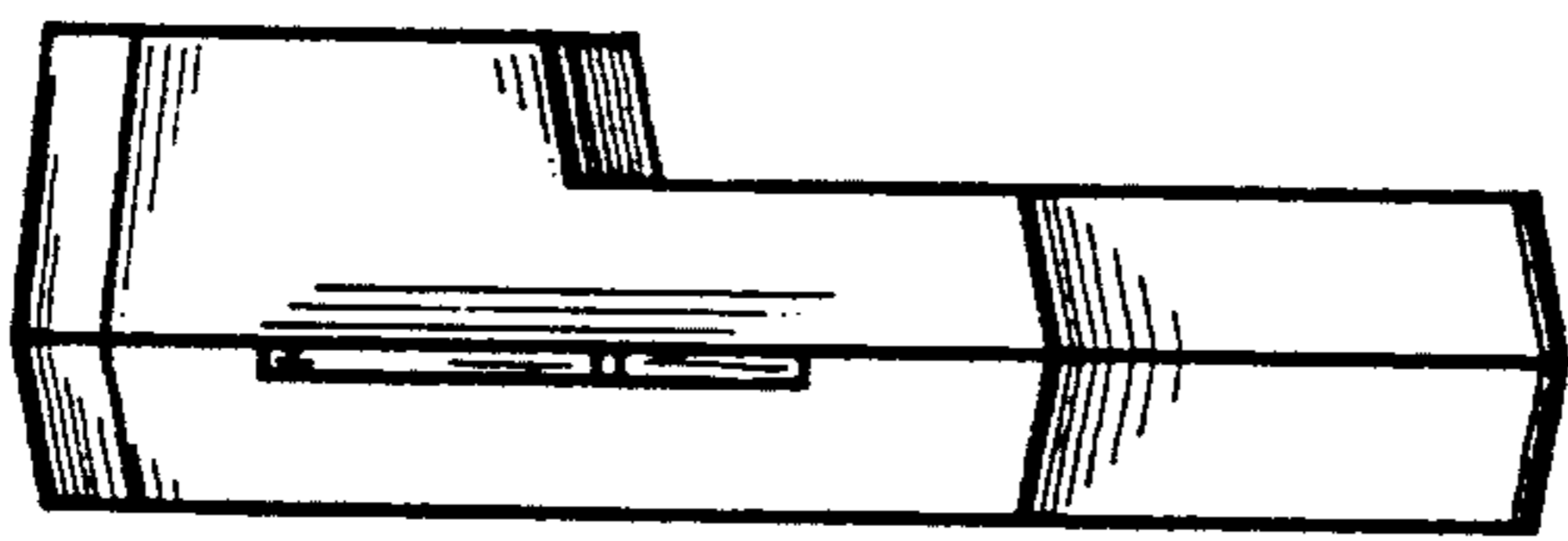


Fig. 2

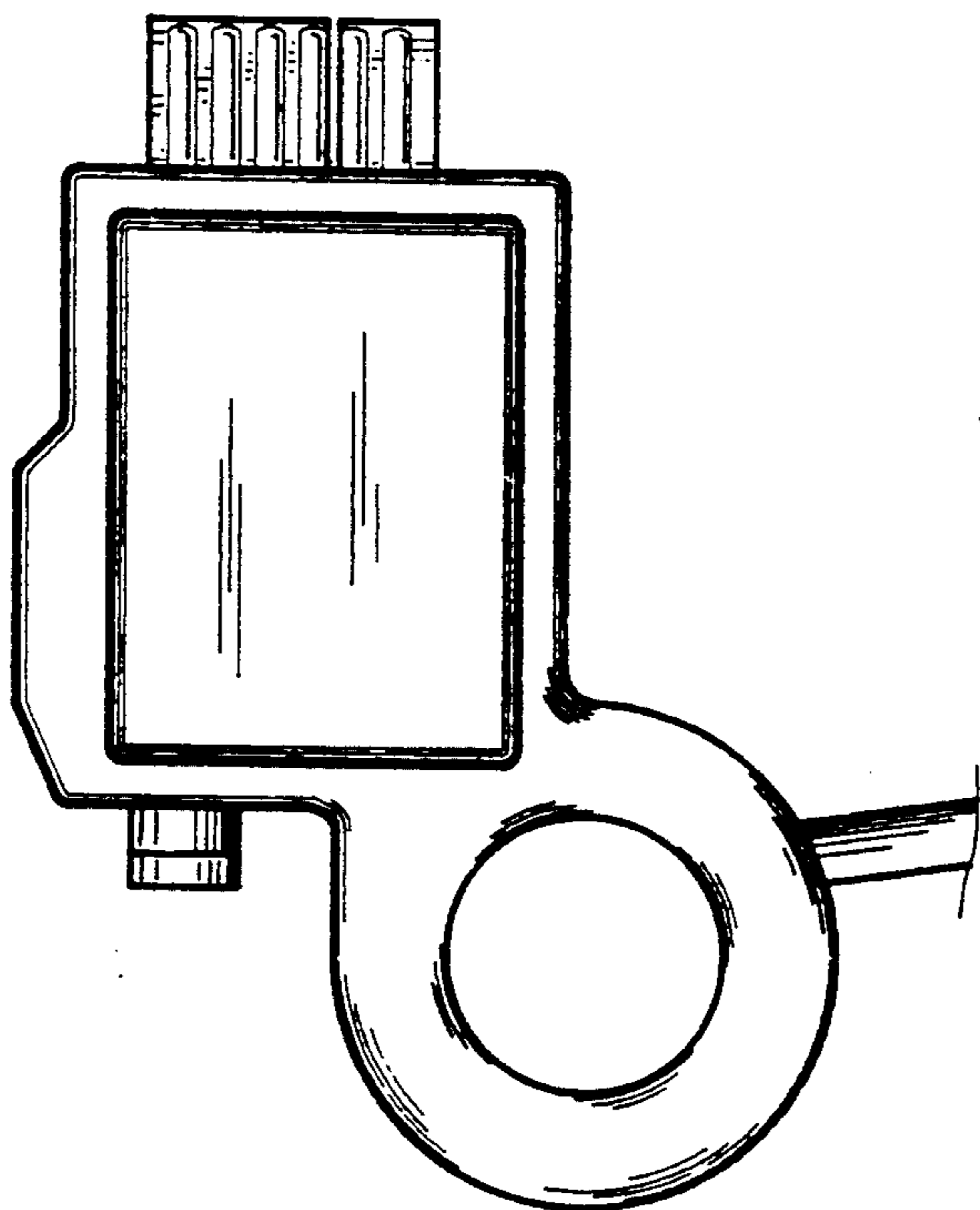


Fig. 3

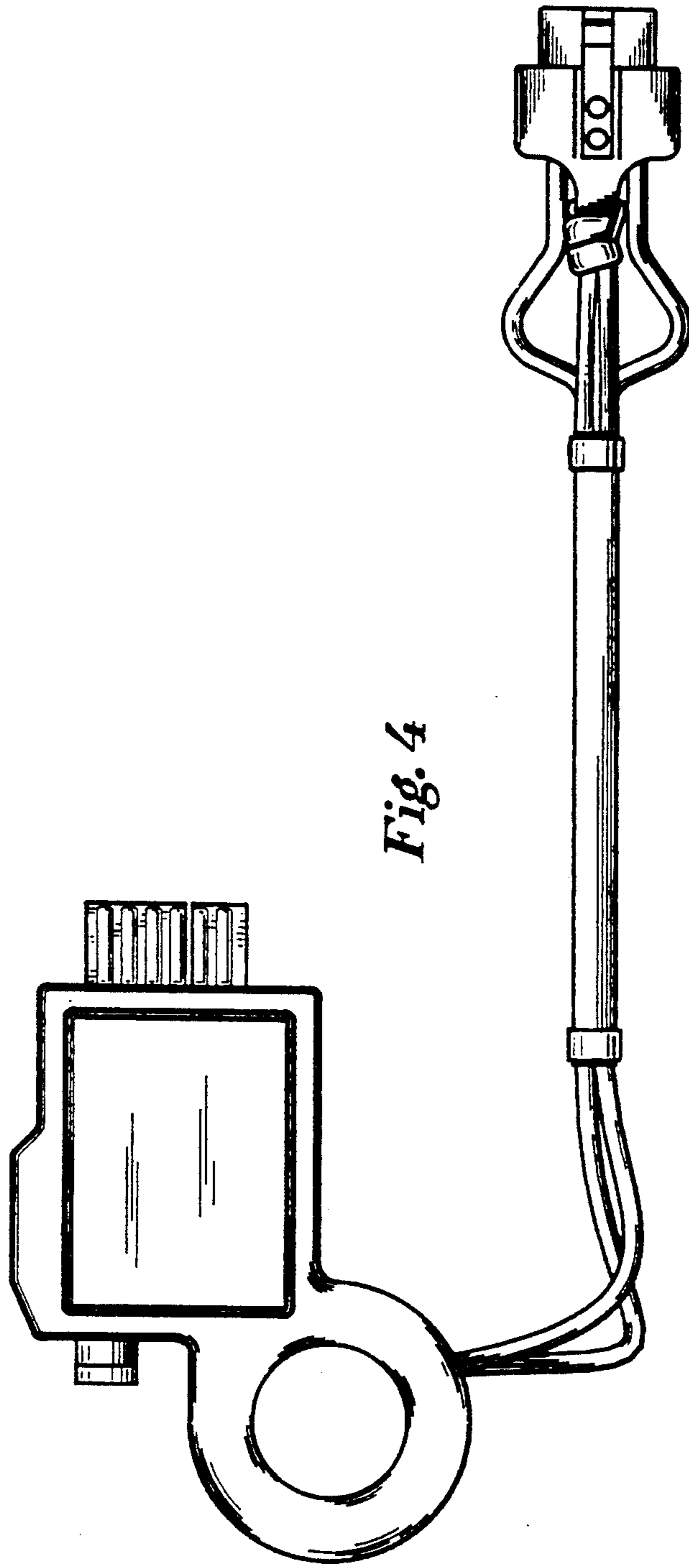


Fig. 4

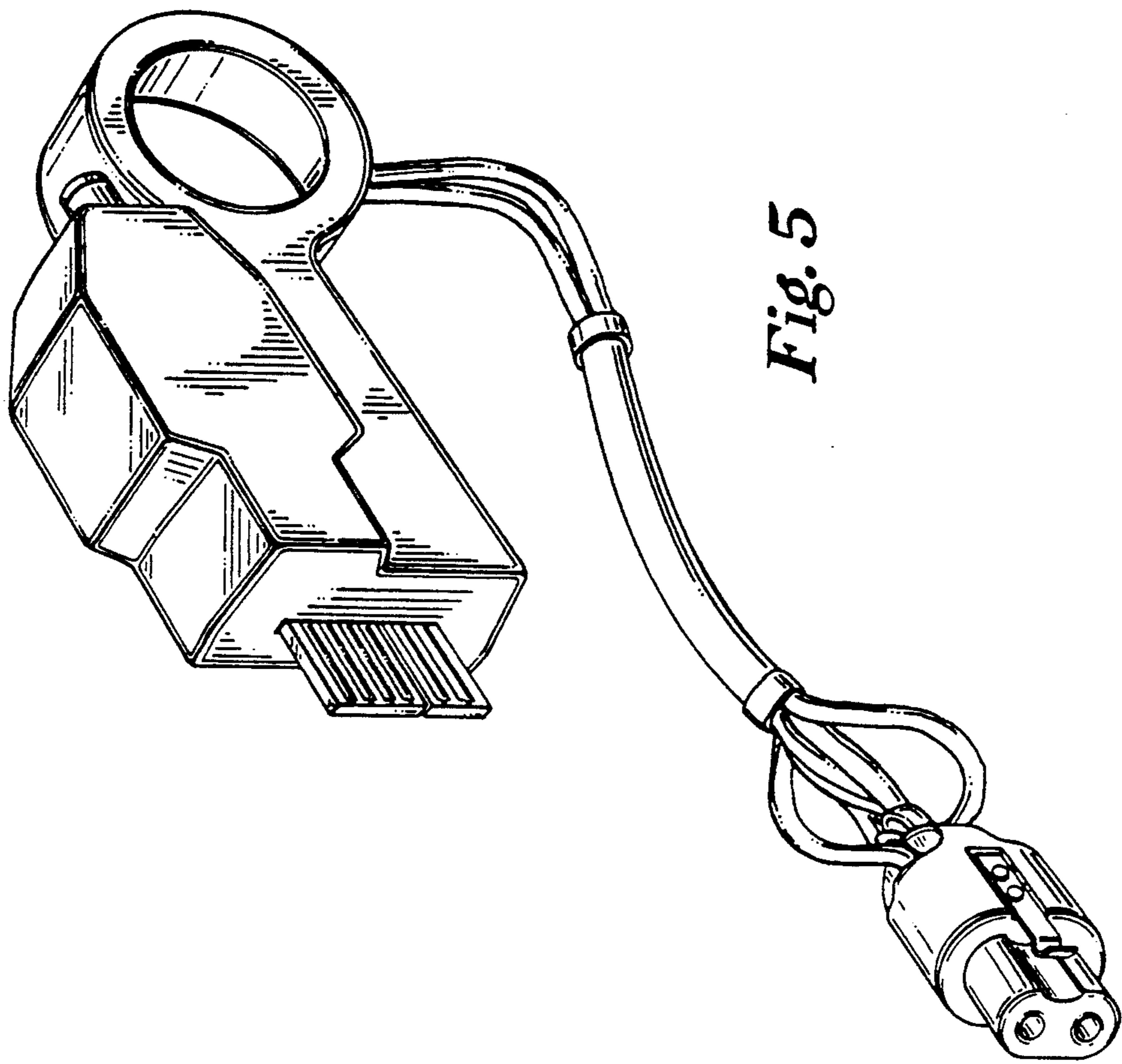


Fig. 5