



US00D341814S

# United States Patent [19]

[11] Patent Number: **Des. 341,814**

**Krogaugger**

[45] Date of Patent: **\*\* Nov. 30, 1993**

[54] **ELECTRIC POWER DISTRIBUTION UNIT**

3,717,805 2/1973 Gnaedinger et al. .... 307/150 X  
4,331,883 5/1982 Vitaloni ..... D13/110 X  
4,390,926 6/1983 Hart ..... 361/334

[75] Inventor: **William G. Krogaugger**, Chatsworth, Calif.

[73] Assignee: **Mole-Richardson Co.**, Hollywood, Calif.

*Primary Examiner*—Wallace R. Burke  
*Assistant Examiner*—Joel Sincavage  
*Attorney, Agent, or Firm*—Edward A. Sokolski

[\*\*] Term: **14 Years**

[57] **CLAIM**

[21] Appl. No.: **548,729**

The ornamental design for an electric power distribution unit, as shown and described.

[22] Filed: **Jul. 2, 1990**

[52] U.S. Cl. .... **D13/123; D13/110**

**DESCRIPTION**

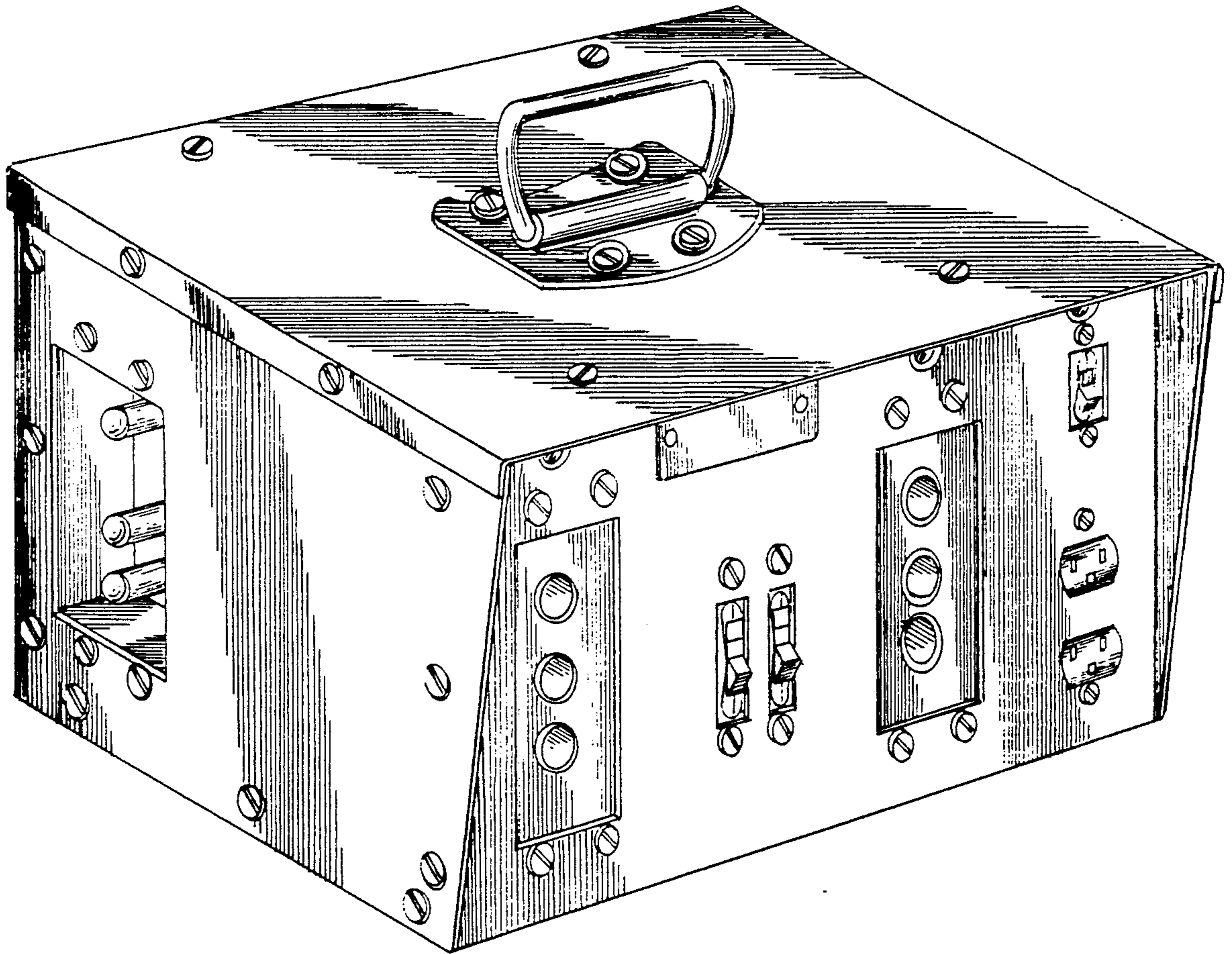
[58] Field of Search ..... **D13/110, 123, 124; D8/394, 396; 307/150; 361/334, 346**

FIG. 1 is a front elevational view showing my new design for an electric power distribution unit; FIG. 2 is a top plan view thereof; FIG. 3 is a bottom plan view thereof; FIG. 4 is a rear elevational view thereof; FIG. 5 is a left hand side elevational view thereof; FIG. 6 is a right hand side elevational view thereof; and, FIG. 7 is a front and upper left perspective view thereof.

[56] **References Cited**

**U.S. PATENT DOCUMENTS**

D. 210,731 4/1968 Siegel ..... D13/110  
D. 221,957 9/1971 Smyth ..... D13/110  
D. 268,024 2/1983 Litt et al. .... D13/110  
D. 276,495 11/1984 Sylvia ..... D13/110 X



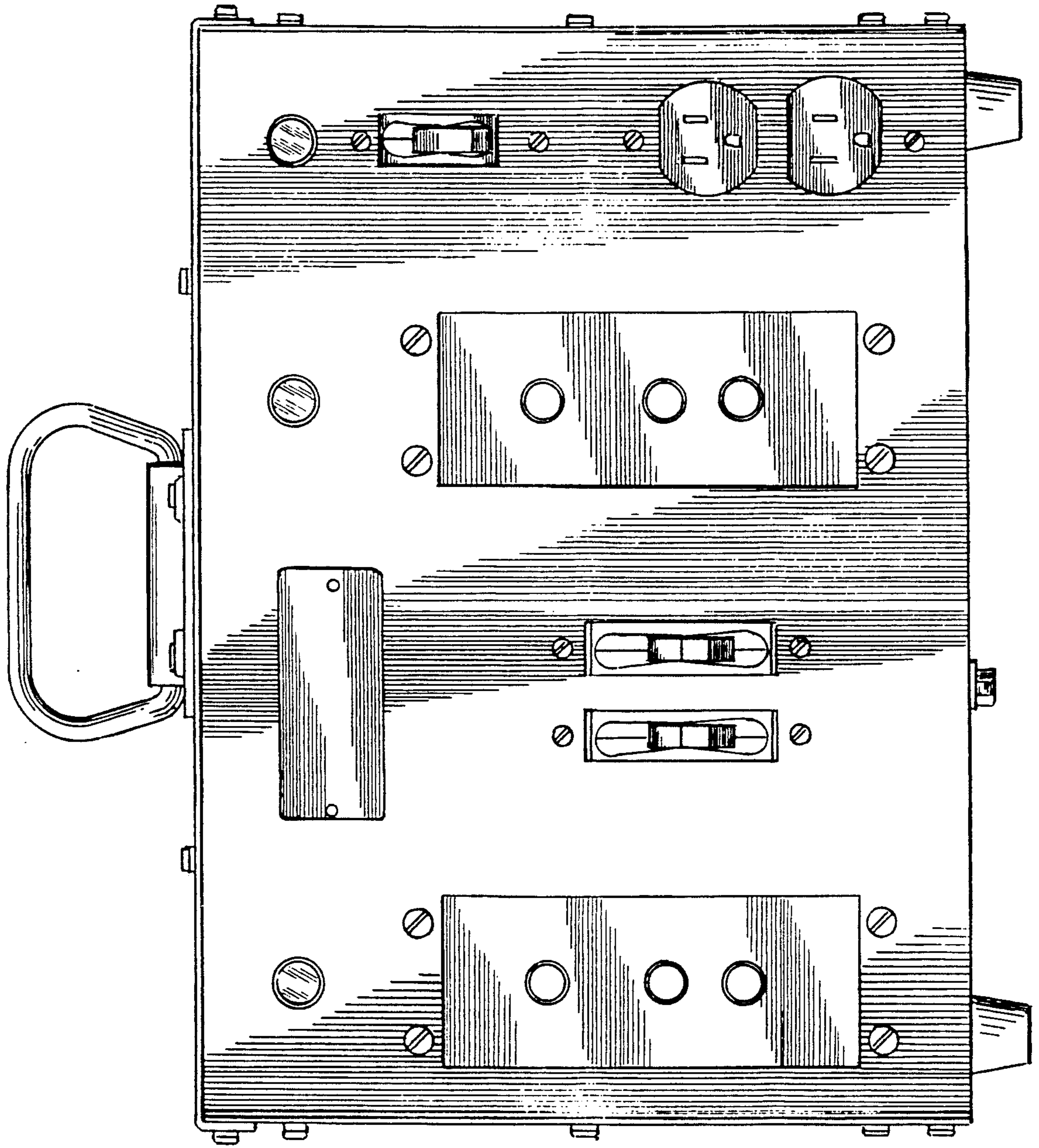


FIG. 1

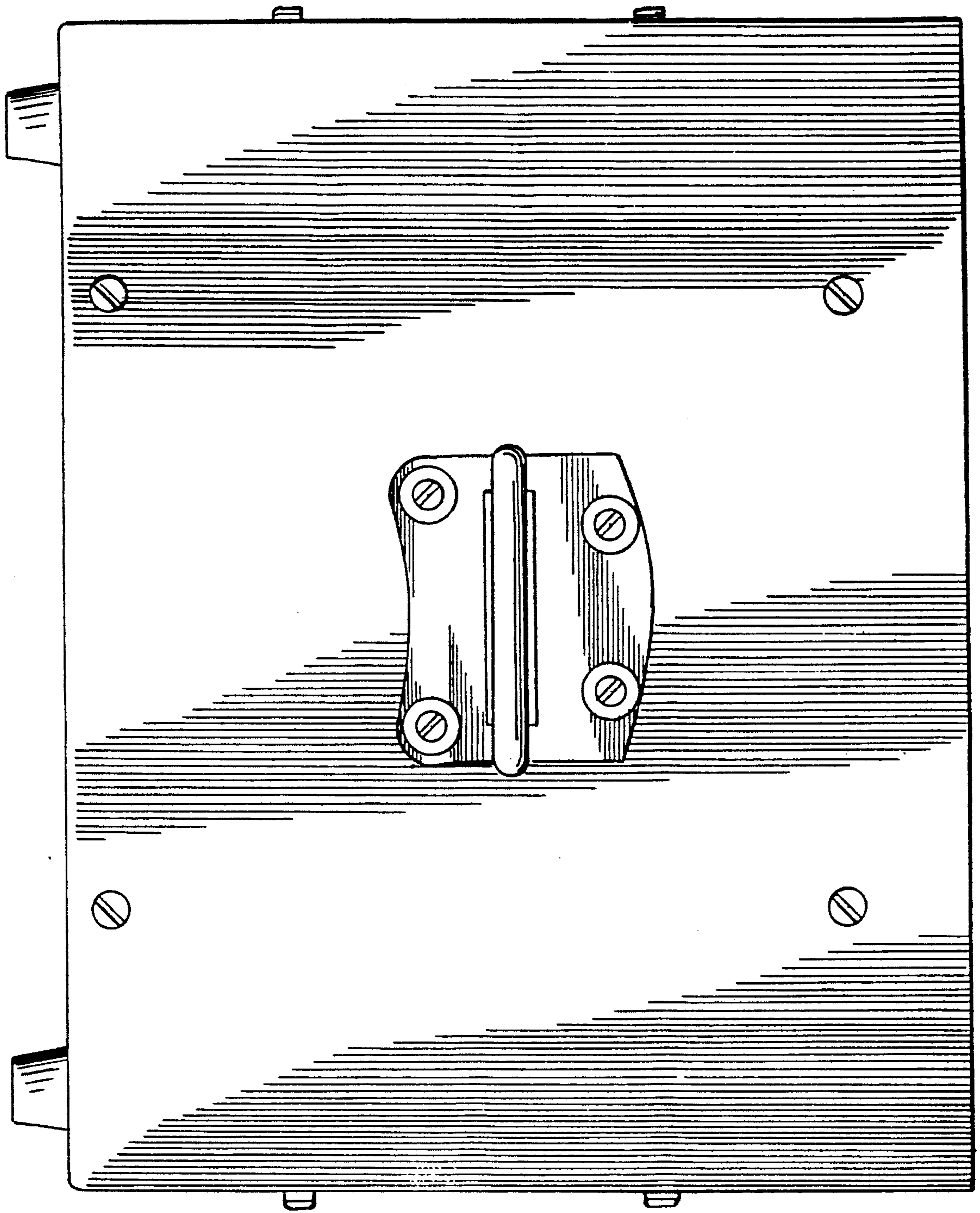


FIG. 2

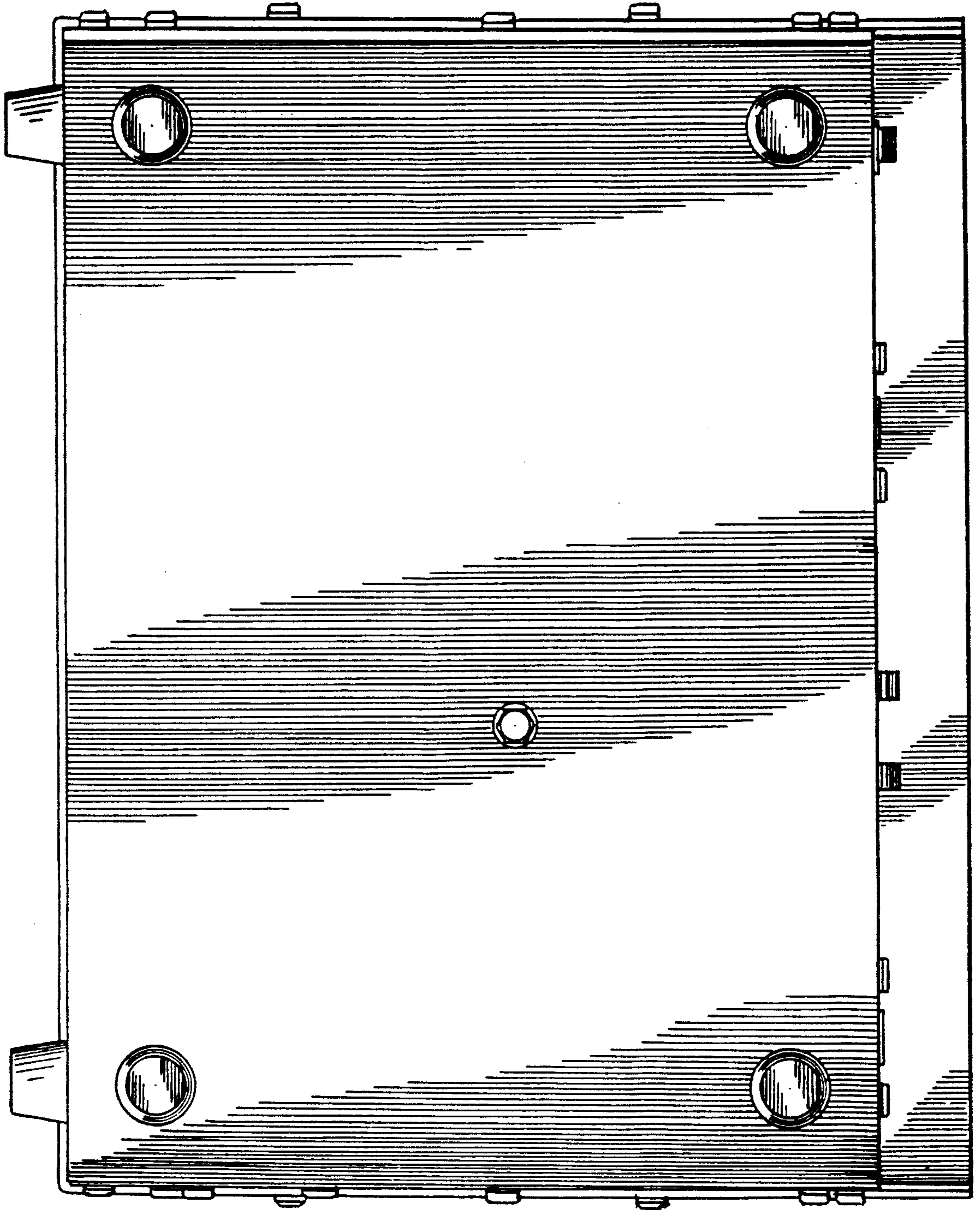


FIG. 3

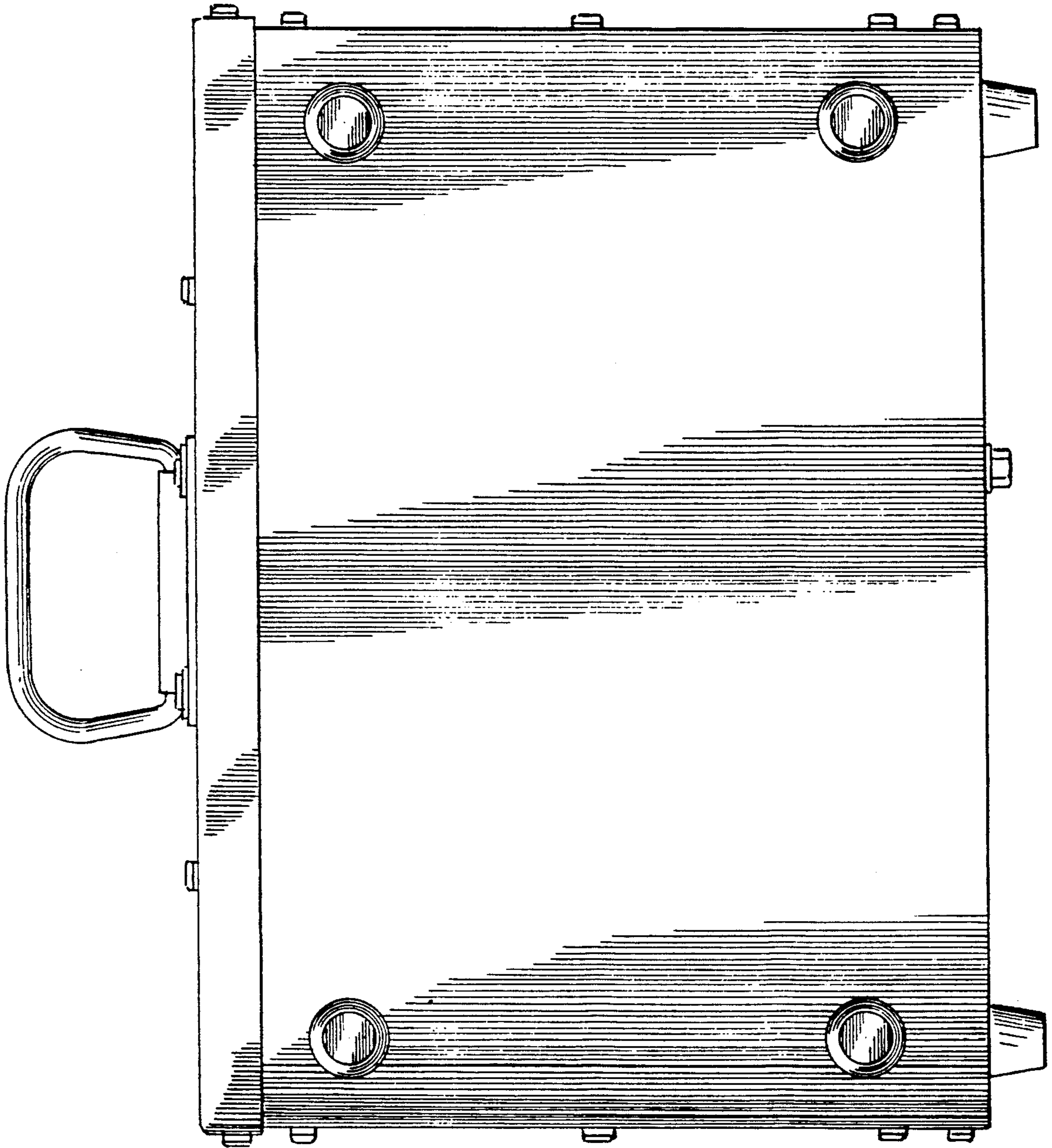


FIG. 4

FIG. 5

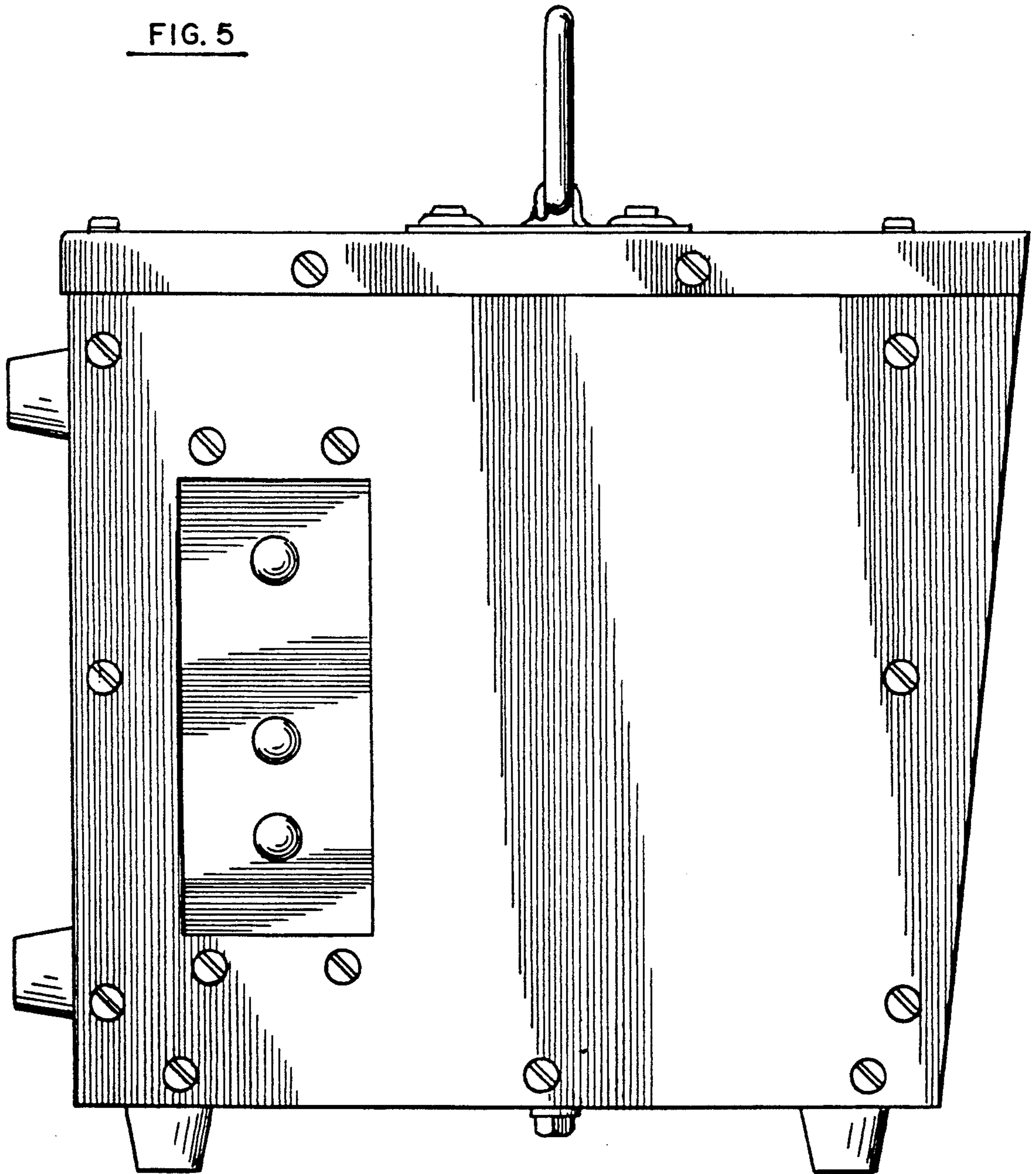
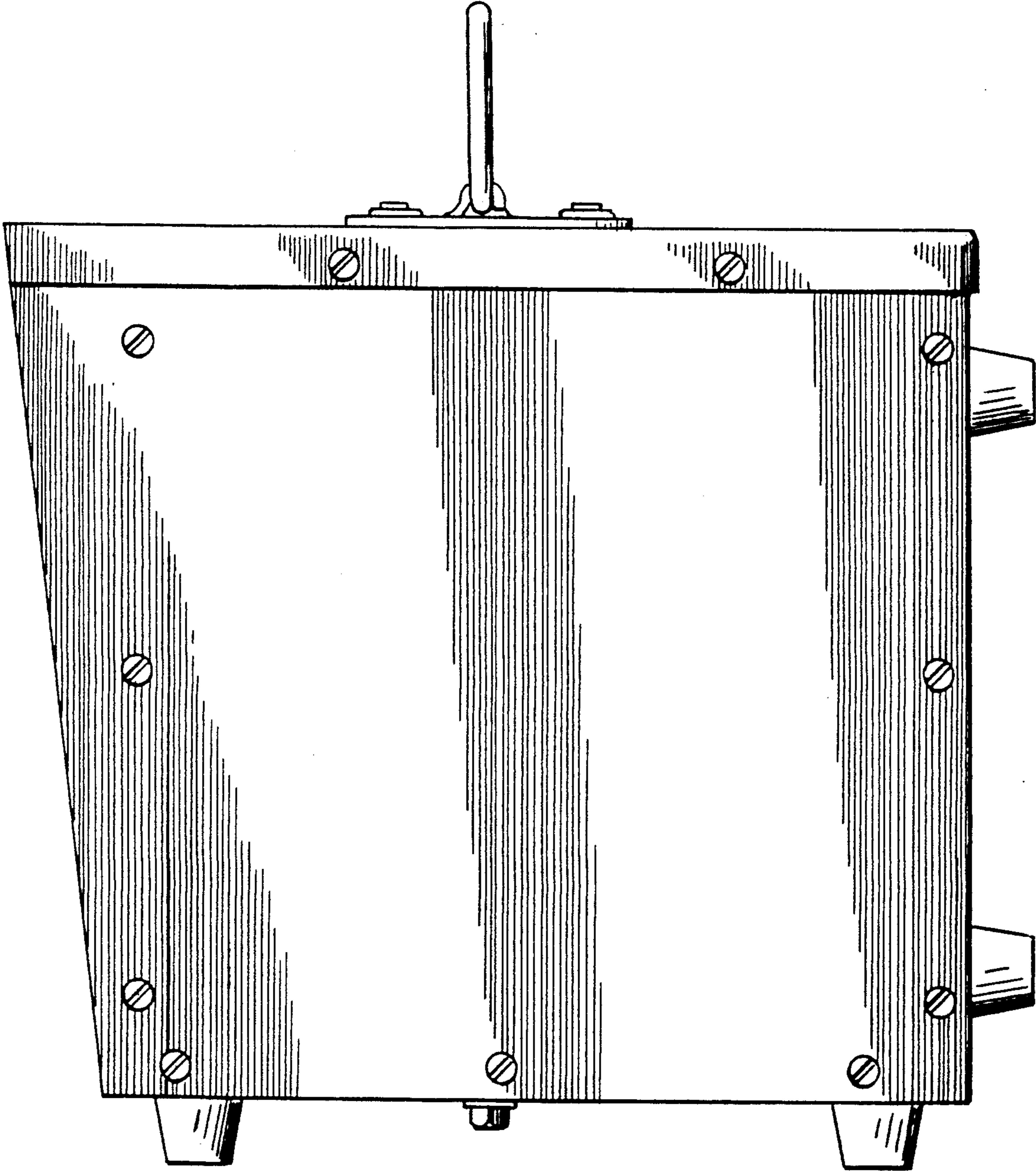


FIG. 6



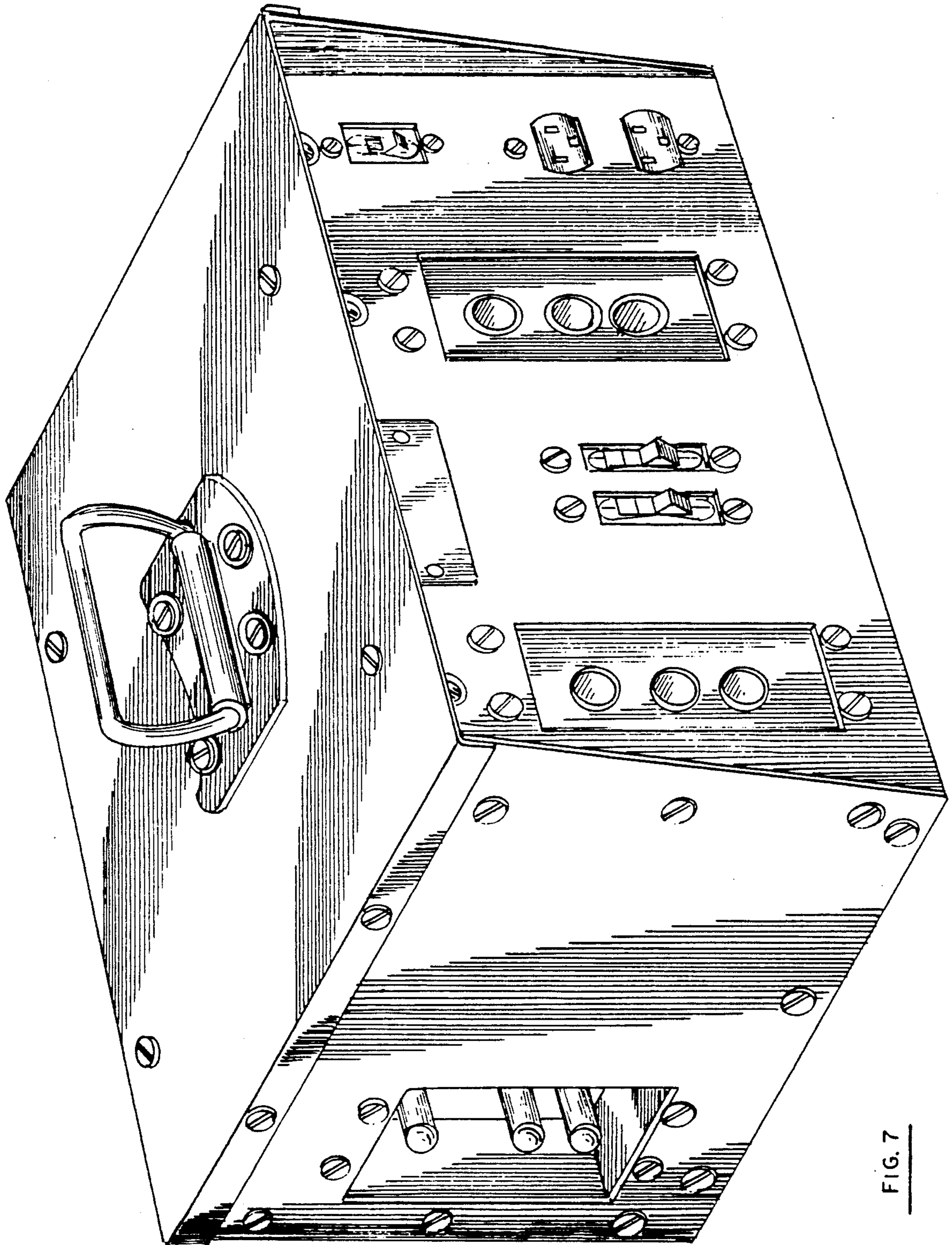


FIG. 7