



US00D341808S

# United States Patent [19]

Steinke et al.

[11] Patent Number: **Des. 341,808**

[45] Date of Patent: **\*\* Nov. 30, 1993**

[54] **DISC BRAKE SHIM**

[75] Inventors: **Gustav J. Steinke; Starla D. Huffer,**  
both of Lima, Ohio

[73] Assignee: **International Brake Industries, Inc.,**  
Lima, Ohio

[\*\*] Term: **14 Years**

[21] Appl. No.: **798,407**

[22] Filed: **Nov. 26, 1991**

[52] U.S. Cl. .... **D12/180**

[58] Field of Search ..... **D12/180; 188/73.1, 250 B**

[56] **References Cited**

### U.S. PATENT DOCUMENTS

- D. 279,467 7/1985 Eberhart et al. .... D12/180
- 5,033,590 7/1991 Kobayashi et al. .... 188/250 B
- 5,141,083 8/1991 Burgoon ..... 188/250 B

### FOREIGN PATENT DOCUMENTS

0180555 5/1988 European Pat. Off. .... 188/73.1

*Primary Examiner*—Wallace R. Burke

*Assistant Examiner*—Melody Brown

*Attorney, Agent, or Firm*—Edgar A. Zarins; Malcolm L. Sutherland

[57] **CLAIM**

The ornamental design for a disc brake shim, as shown.

### DESCRIPTION

FIG. 1 is a perspective view of a disc brake shim showing our new design;

FIG. 2 is a front elevation view thereof;

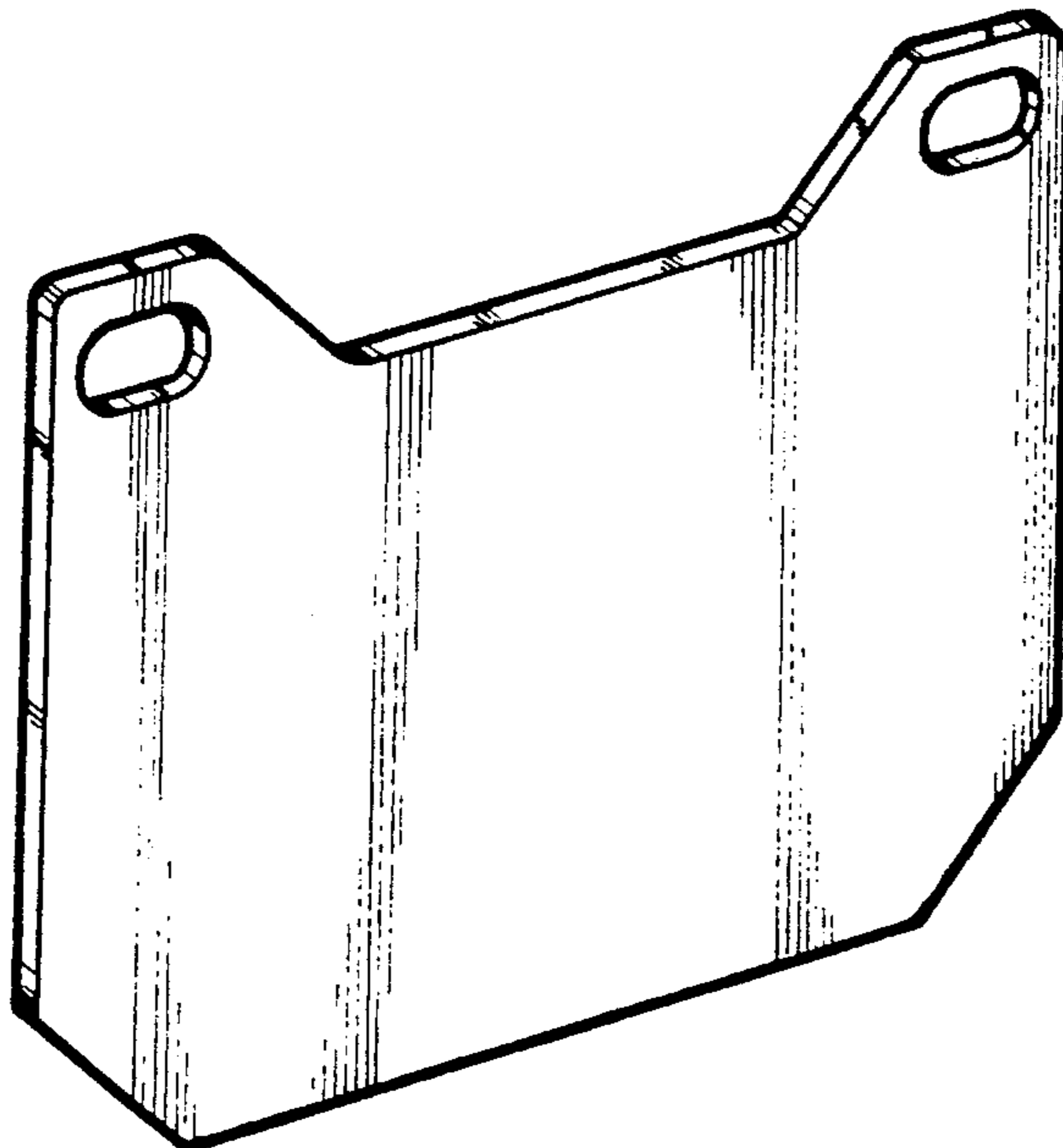
FIG. 3 is a top view thereof;

FIG. 4 is a right side view thereof;

FIG. 5 is a bottom view thereof;

FIG. 6 is a rear elevational view thereof; and,

FIG. 7 is a left side view thereof.



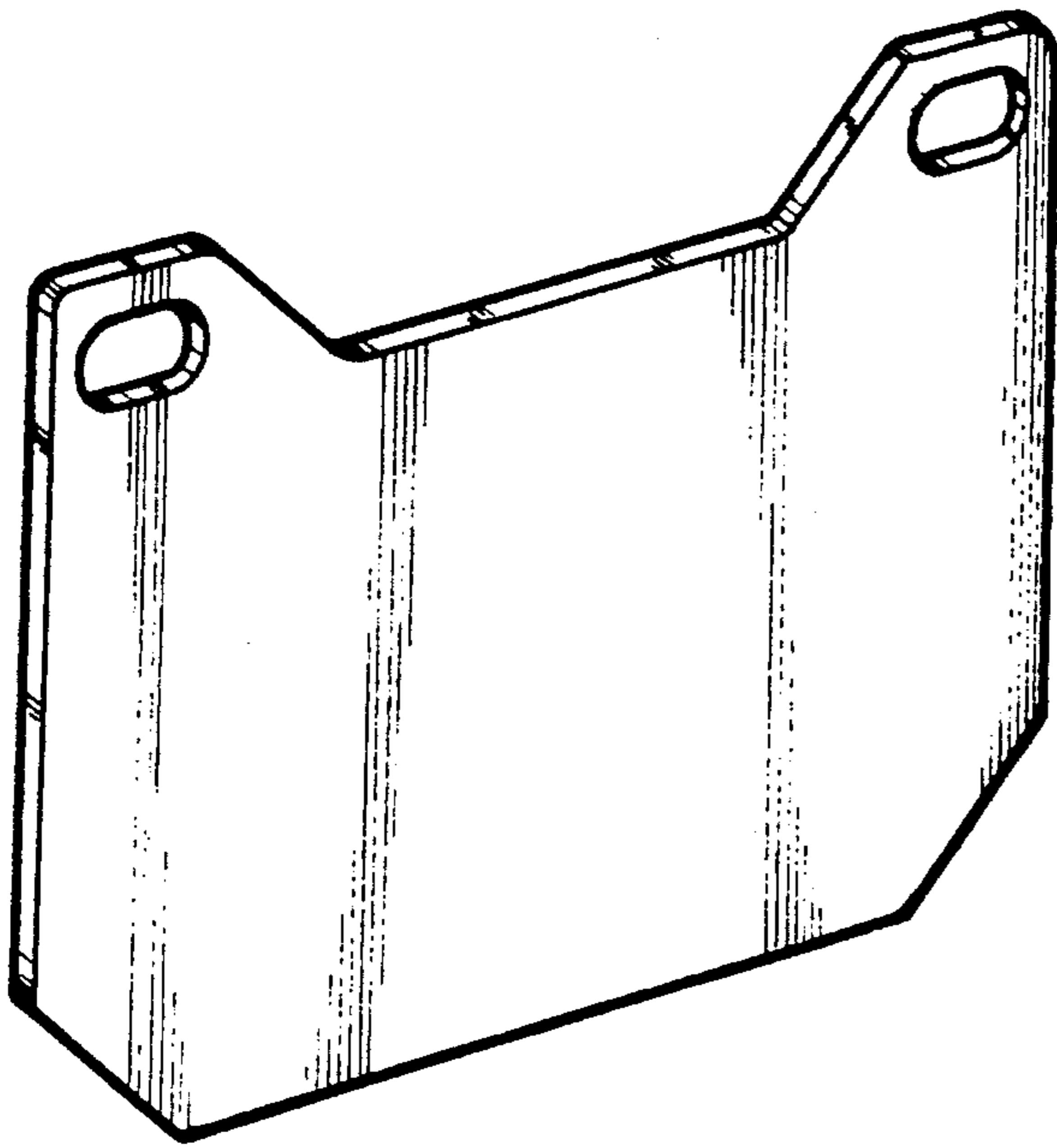


Fig-1

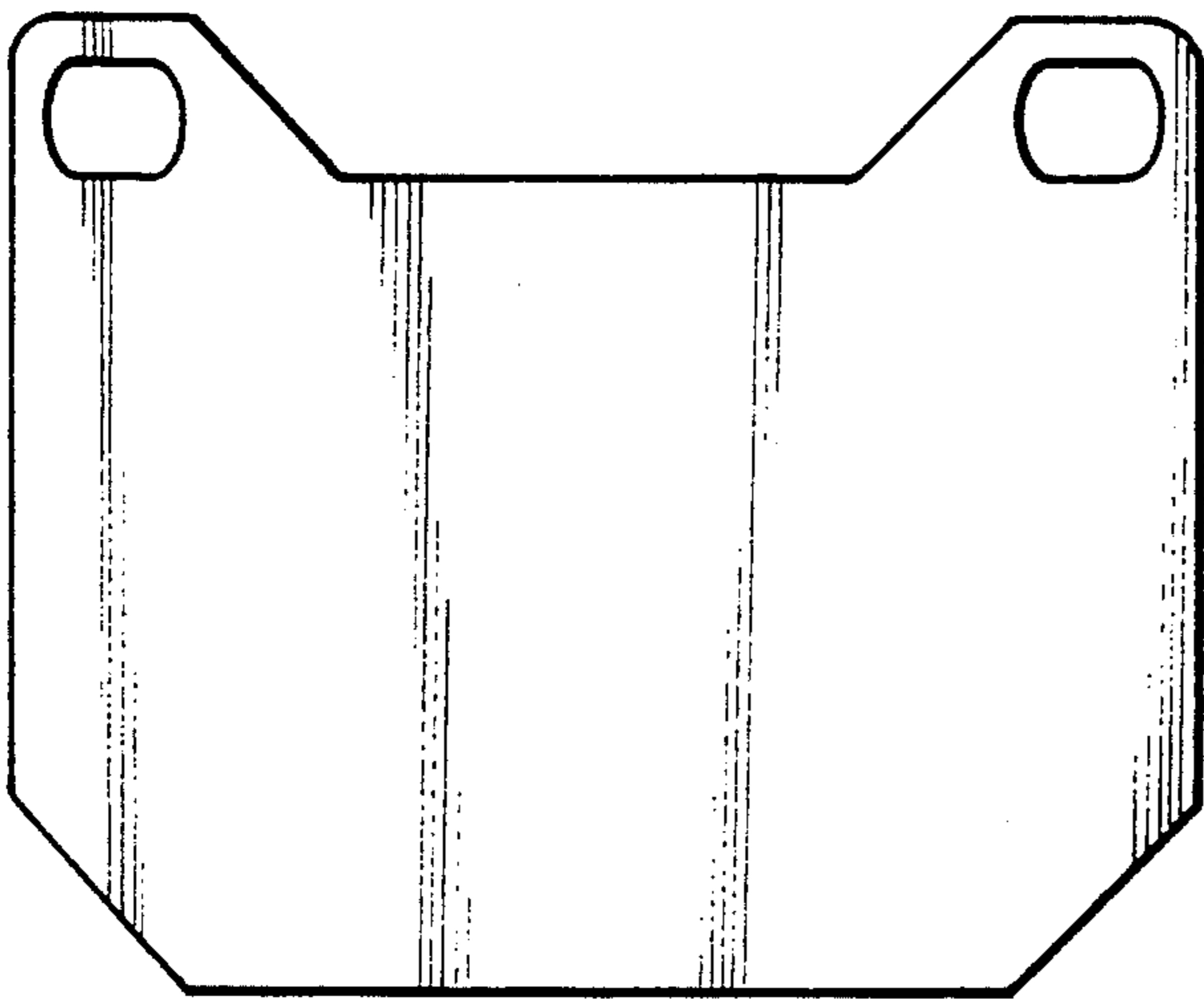


Fig-2



Fig-3



Fig-4

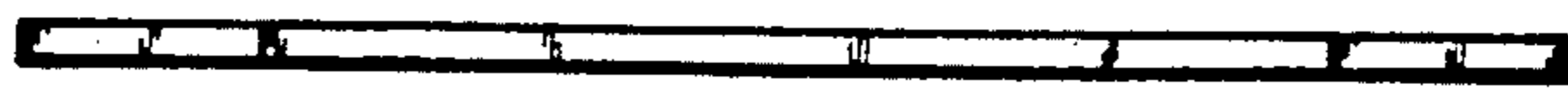


Fig-5

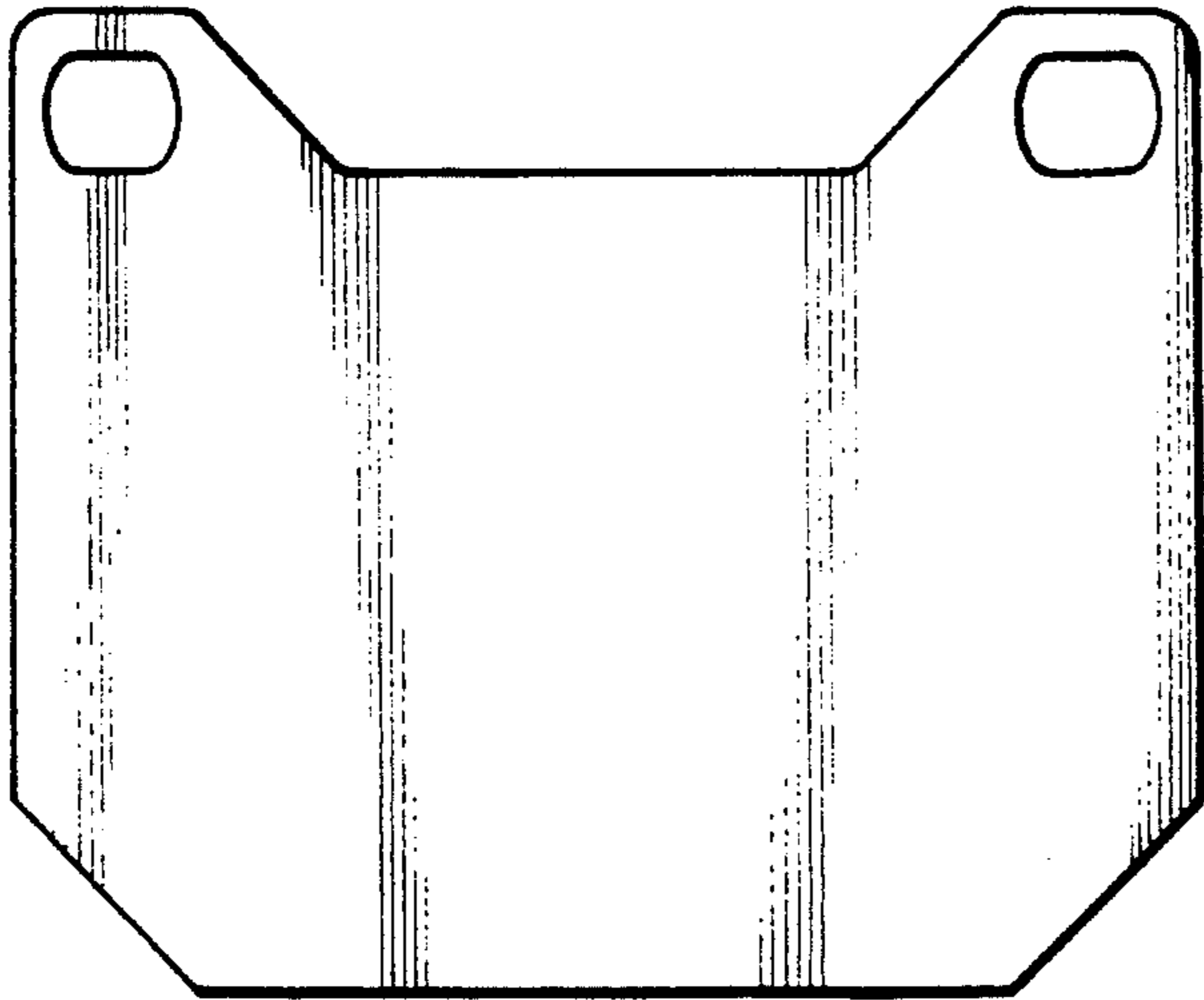


Fig-6



Fig-7