



US00D341807S

United States Patent [19]

[11] Patent Number: **Des. 341,807**

Steinke et al.

[45] Date of Patent: **** Nov. 30, 1993**

[54] **DISC BRAK SHIM**

[75] Inventors: **Gustav J. Steinke; Starla D. Huffer,**
both of Lima, Ohio

[73] Assignee: **International Industries, Inc.,** Lima,
Ohio

[**] Term: **14 Years**

[21] Appl. No.: **798,406**

[22] Filed: **Nov. 26, 1991**

[52] U.S. Cl. **D12/180**

[58] Field of Search **D12/180; 188/73.1, 250 B**

[56] **References Cited**

U.S. PATENT DOCUMENTS

- 4,230,207 10/1980 Stahl 188/73.1
- 4,836,339 6/1989 Kobayashi et al. 188/73.1
- 4,926,978 5/1990 Shibata et al. 188/73.1

FOREIGN PATENT DOCUMENTS

0005542 1/1983 Japan 188/73.1

Primary Examiner—Wallace R. Burke

Assistant Examiner—Melody Brown

Attorney, Agent, or Firm—Edgar A. Zarins; Malcolm L. Sutherland

[57] **CLAIM**

The ornamental design for a disc brake shim, as shown.

DESCRIPTION

FIG. 1 is a perspective view of a disc brake shim showing our new design;

FIG. 2 is a right side view thereof;

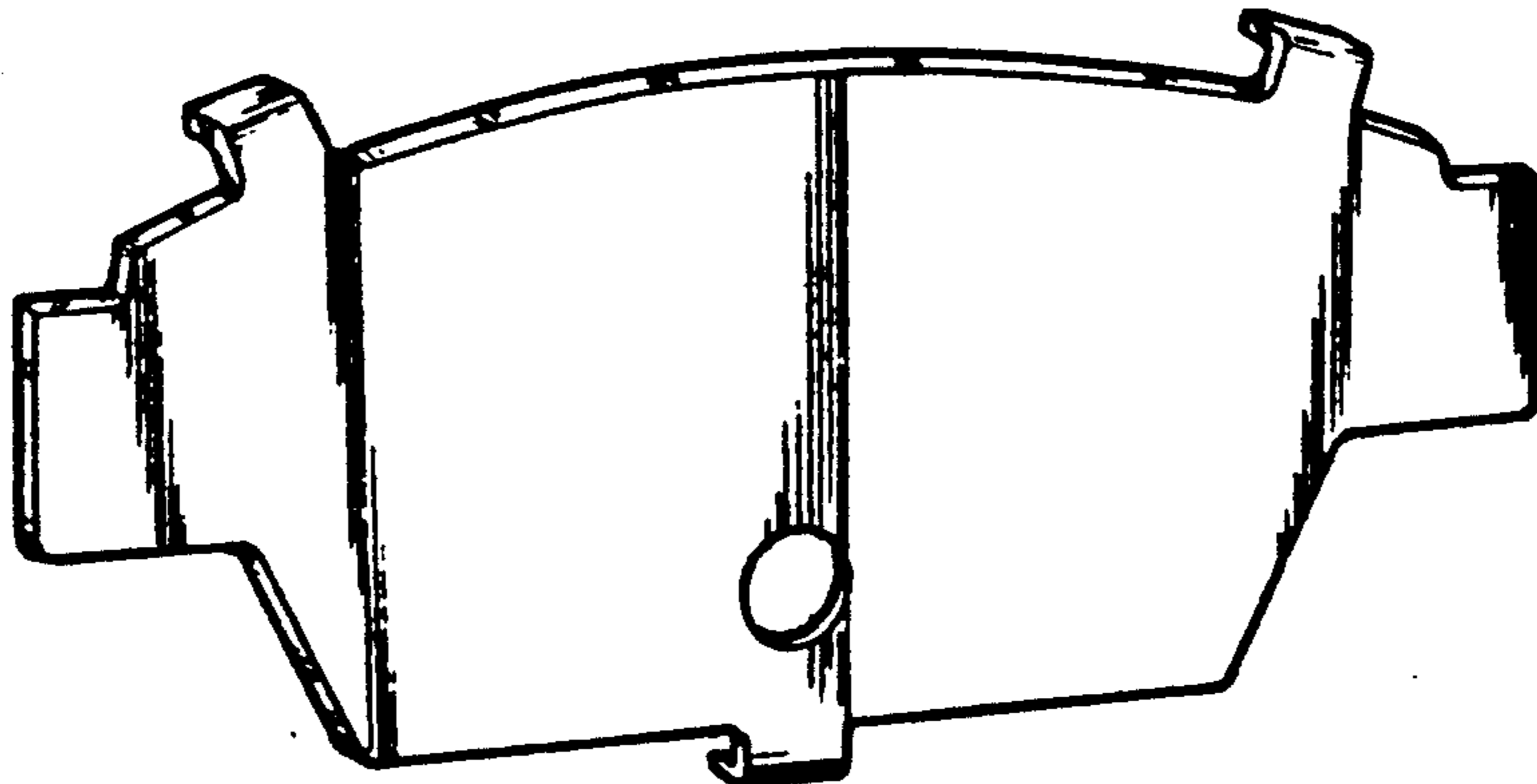
FIG. 3 is a front elevation view thereof;

FIG. 4 is a left side view thereof;

FIG. 5 is a rear elevation view thereof;

FIG. 6 is a bottom view thereof; and,

FIG. 7 is a top view thereof.



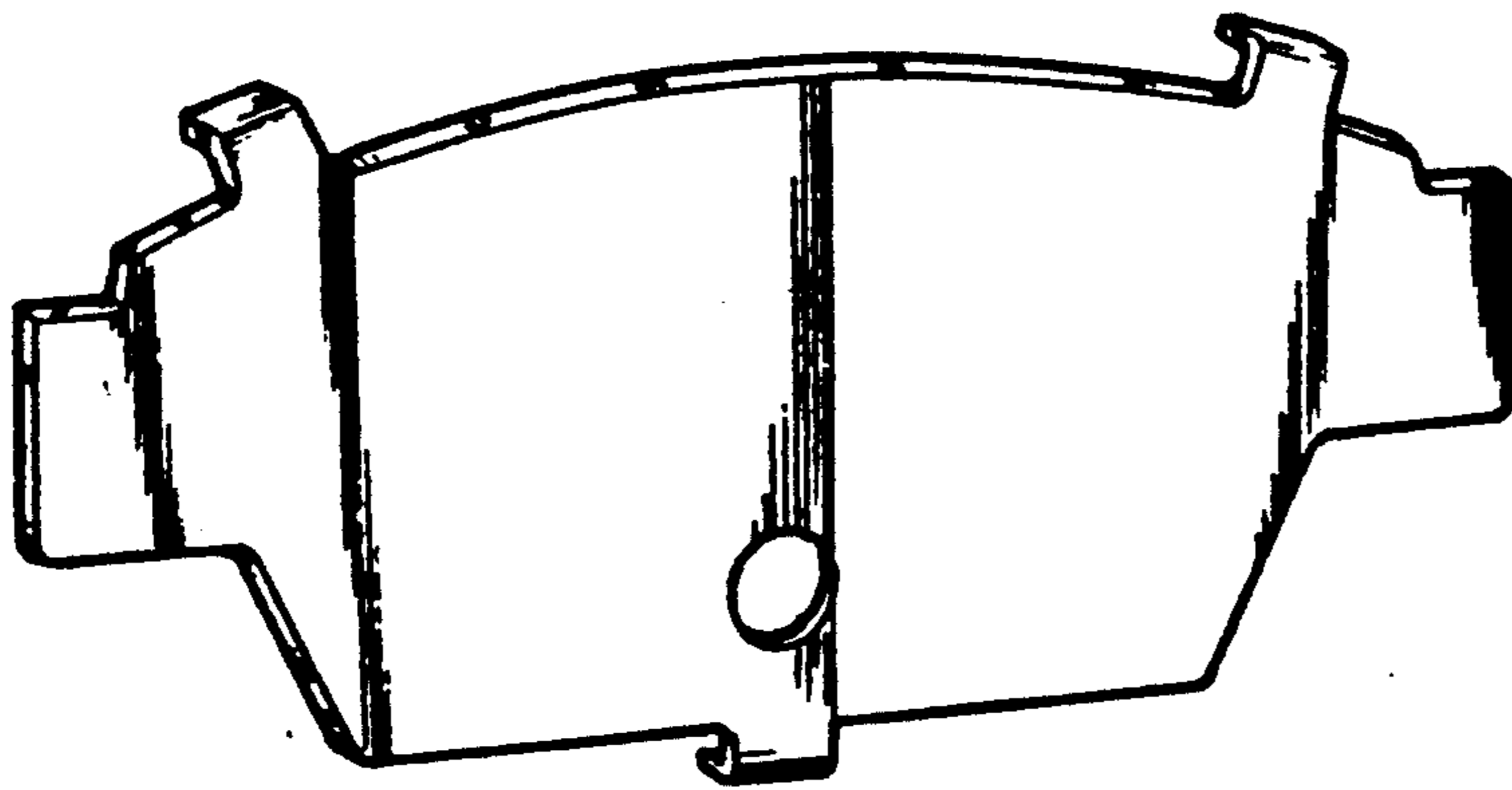


Fig-1



Fig-2

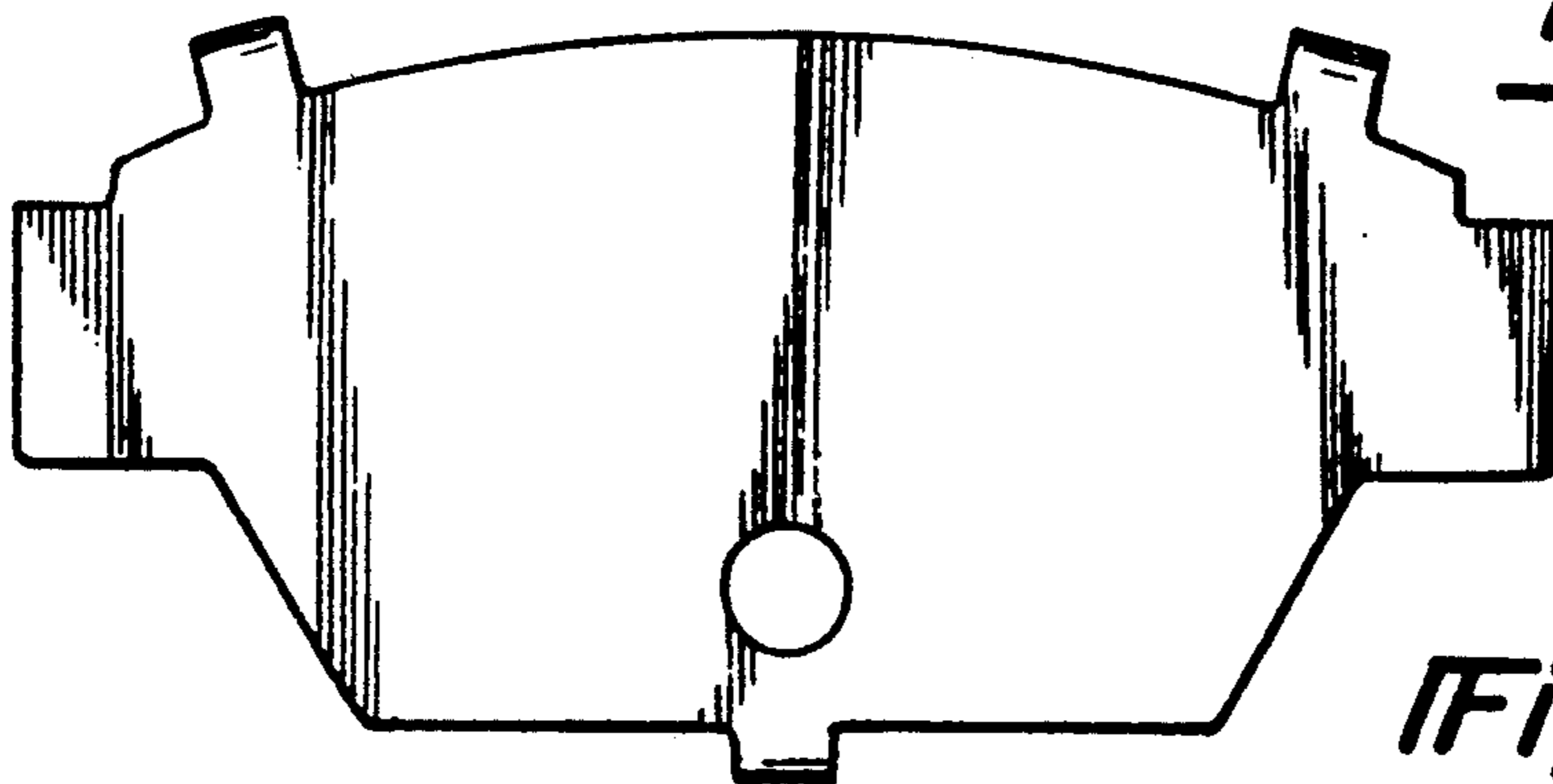


Fig-3



Fig-4

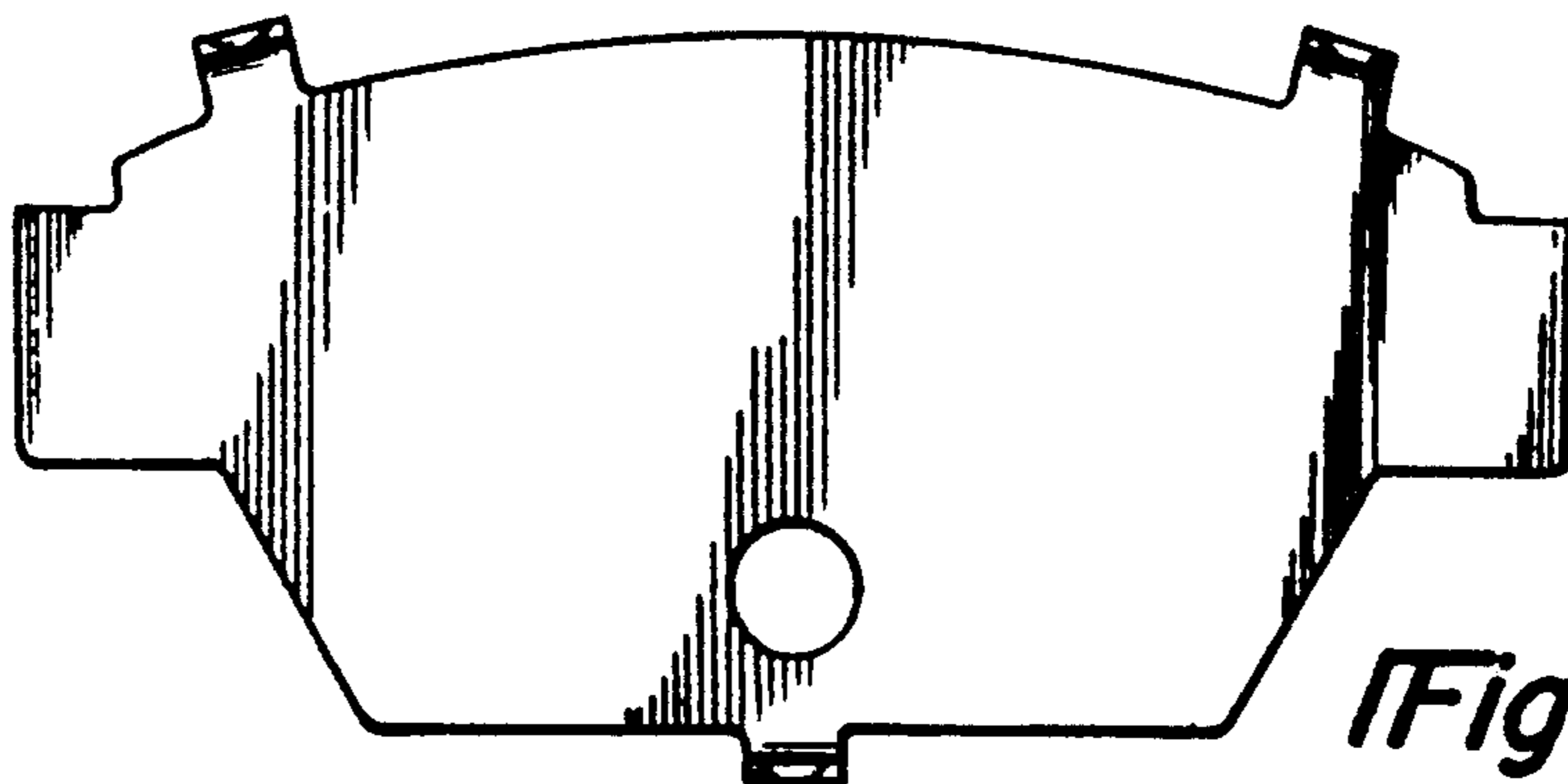


Fig-5



Fig-6



Fig-7