



US00D341805S

United States Patent [19]

[11] Patent Number: **Des. 341,805**

Jahnsen

[45] Date of Patent: **** Nov. 30, 1993**

[54] **NON-PERMANENT GOOSENECK TRAILER HITCH**

5,145,199 9/1992 Howard 280/511
5,181,405 1/1993 Wheeler 280/507

[76] Inventor: **John P. Jahnsen**, Rte. 1 - Box 68,
Bland, Mo. 65014

Primary Examiner—Wallace R. Burke
Assistant Examiner—Melody Brown
Attorney, Agent, or Firm—Hugh E. Smith

[**] Term: **14 Years**

[57] **CLAIM**

[21] Appl. No.: **898,735**

The ornamental design for a non-permanent gooseneck trailer hitch, as shown and described.

[22] Filed: **Jun. 15, 1992**

[52] U.S. Cl. **D12/162**

[58] Field of Search **D12/162; 280/502, 508, 280/509, 510, 511, 423.1, 456.1**

DESCRIPTION

FIG. 1 is a front elevational view of the non-permanent gooseneck trailer hitch showing my new design; FIG. 2 is a rear elevational view thereof; FIG. 3 is a left side elevational view thereof; FIG. 4 is a right side elevational view thereof; FIG. 5 is a top plan view thereof; FIG. 6 is a bottom plan view thereof; and, FIG. 7 is a perspective view thereof, the broken lines are for illustrative purposes only and form no part of the claimed design.

[56] **References Cited**

U.S. PATENT DOCUMENTS

D. 148,269	1/1948	Asking	D12/162
D. 243,000	1/1977	Carnes	D12/162
3,955,837	5/1976	Whitechurch	280/456.1
4,938,524	7/1990	Straub et al.	280/423.1
5,143,393	9/1992	Meyer	280/511

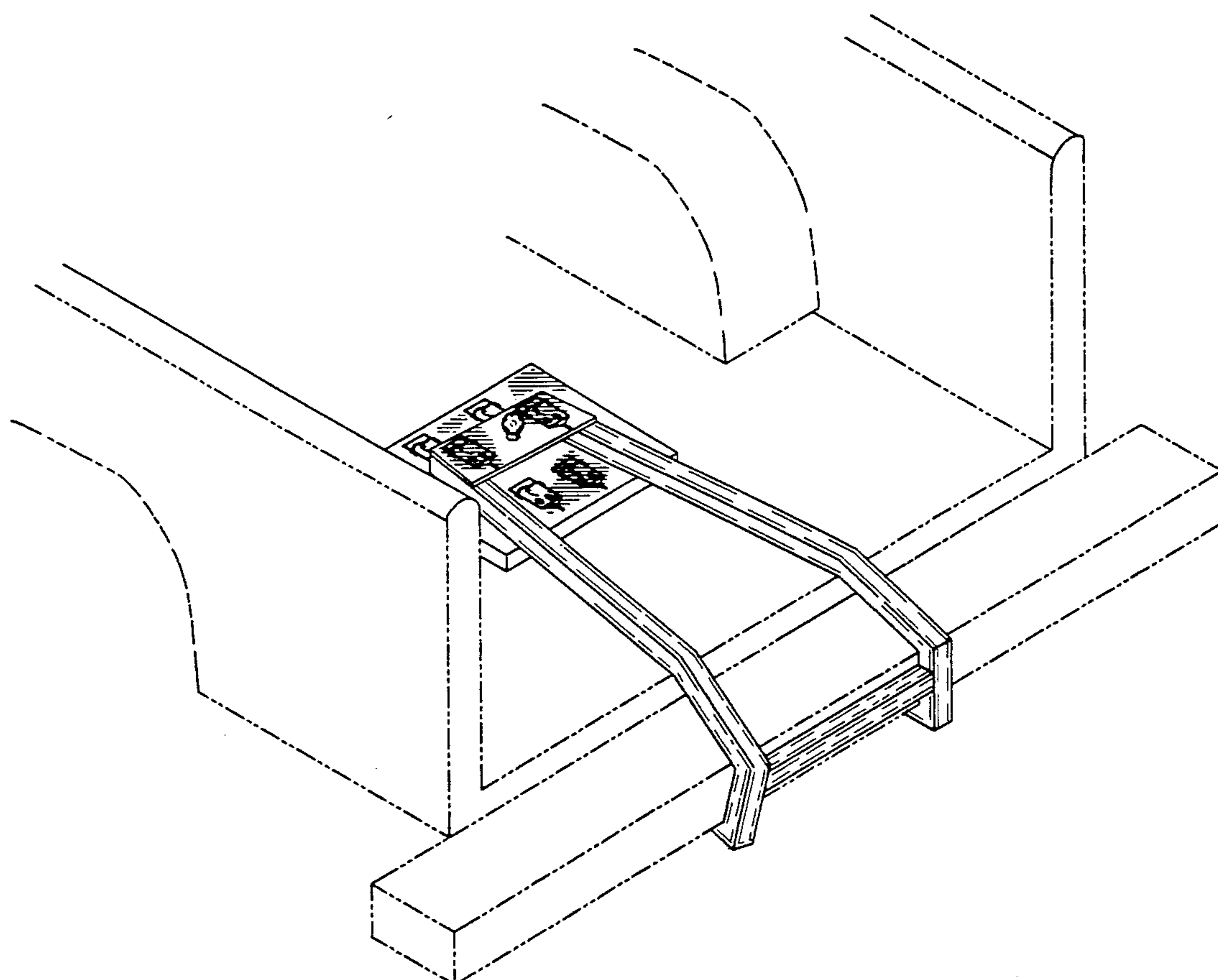


FIG. 1

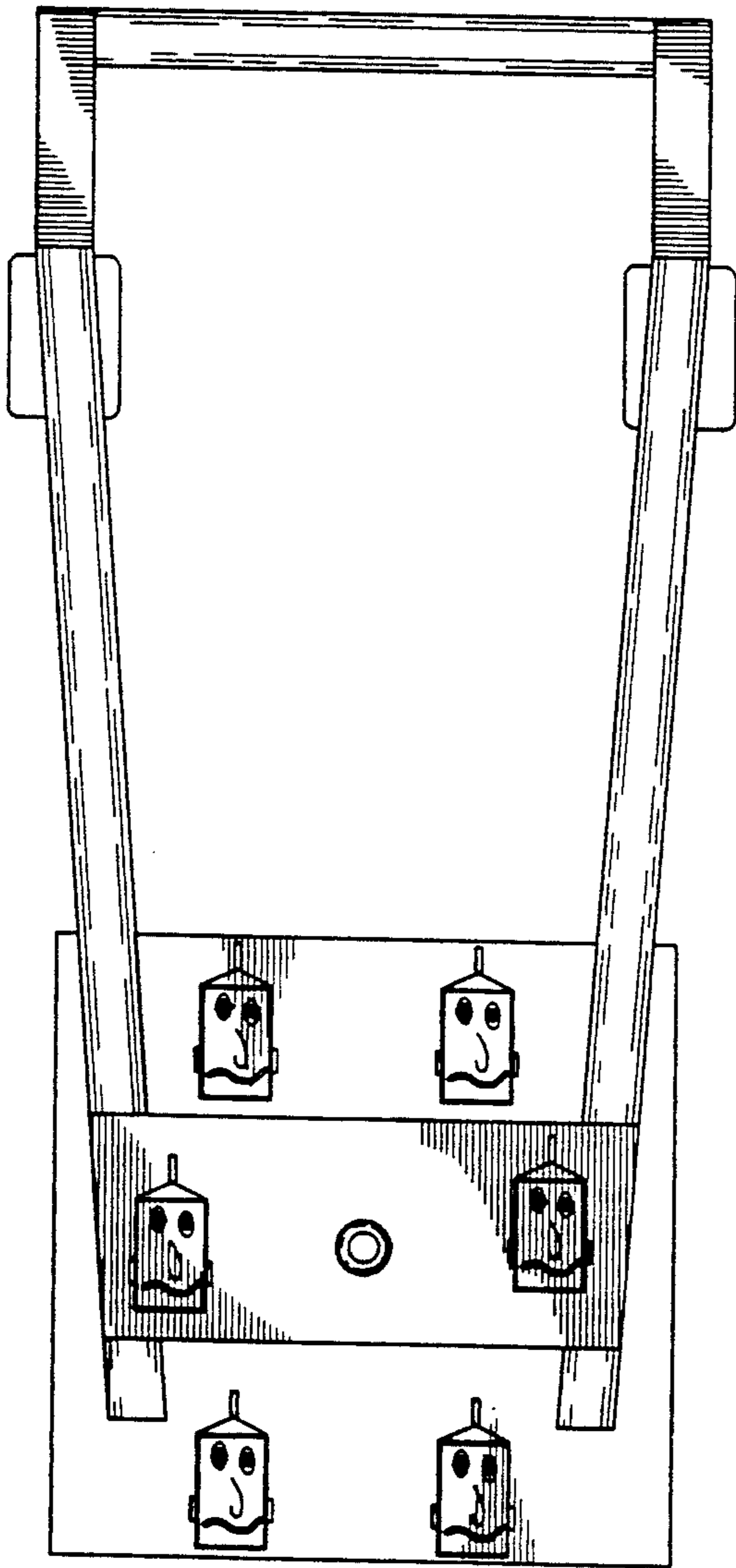


FIG. 2

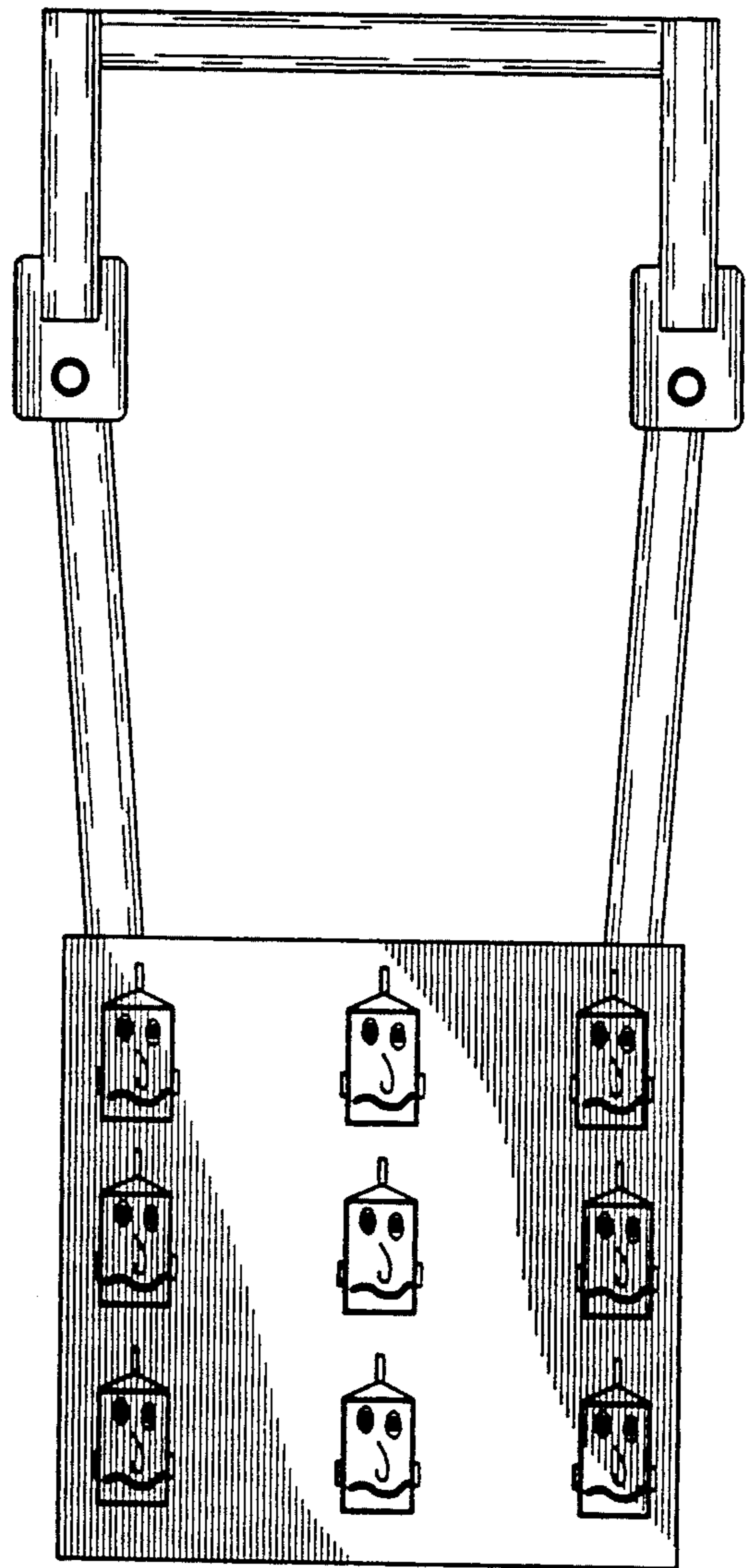


FIG. 3

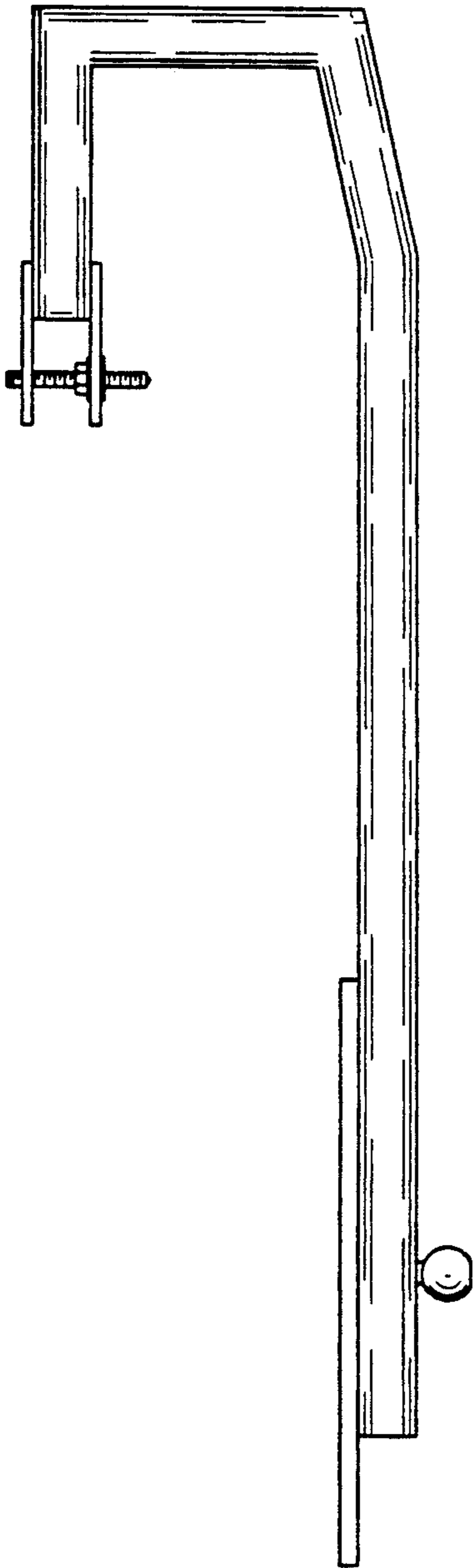


FIG. 4

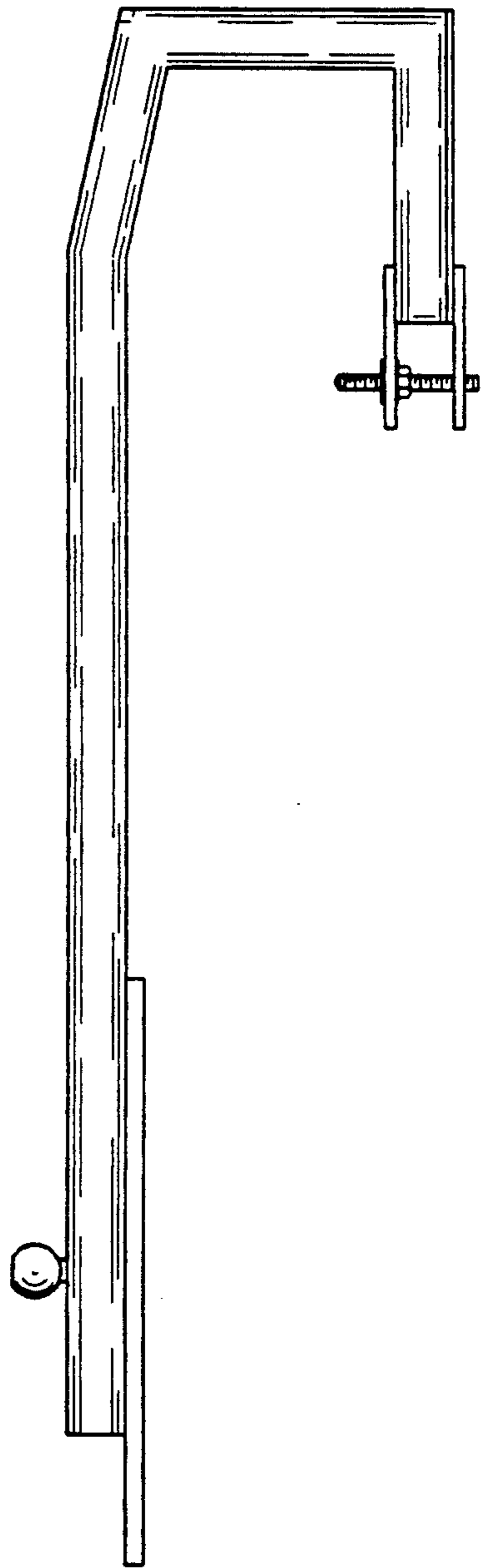


FIG. 5

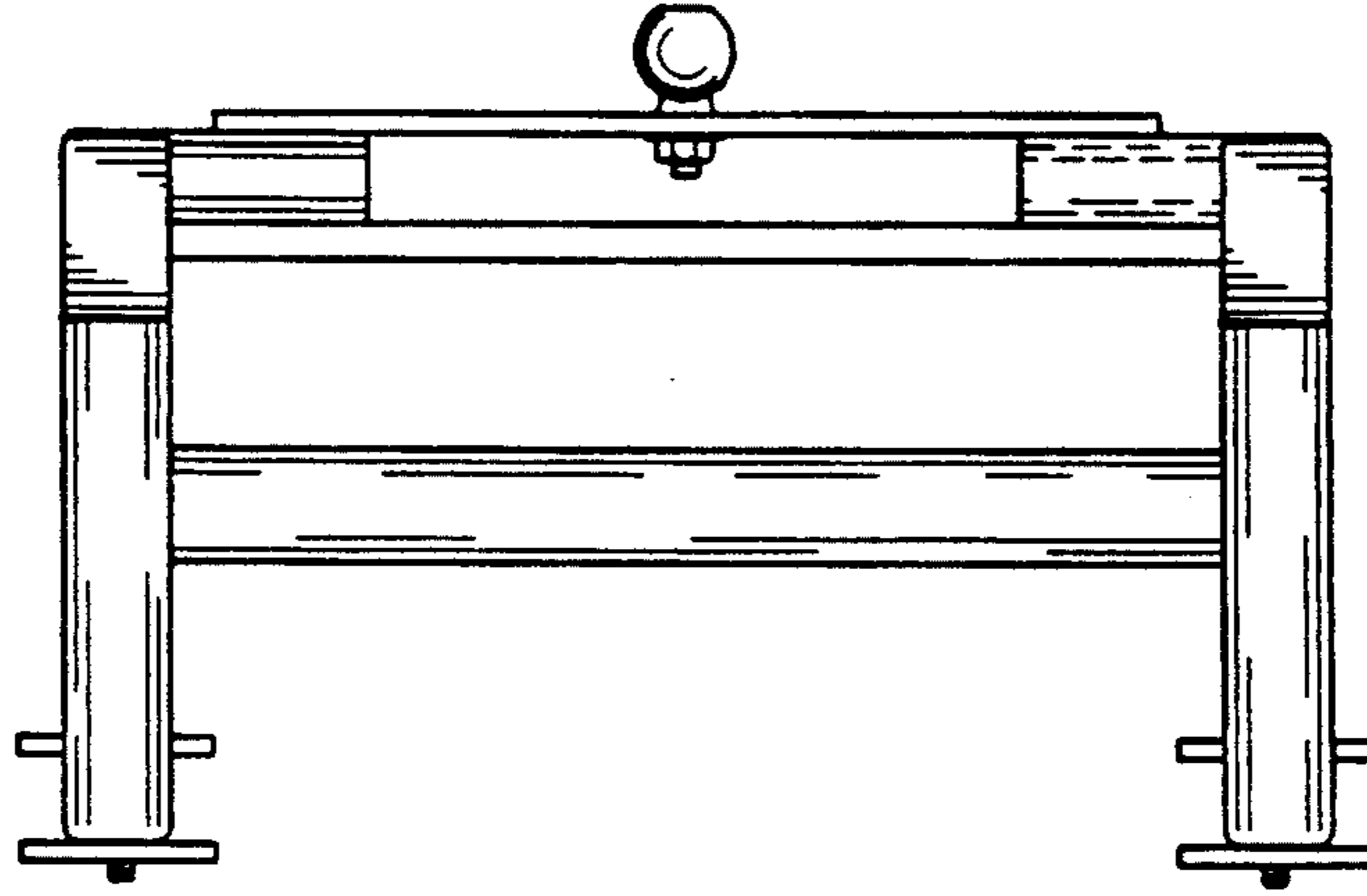
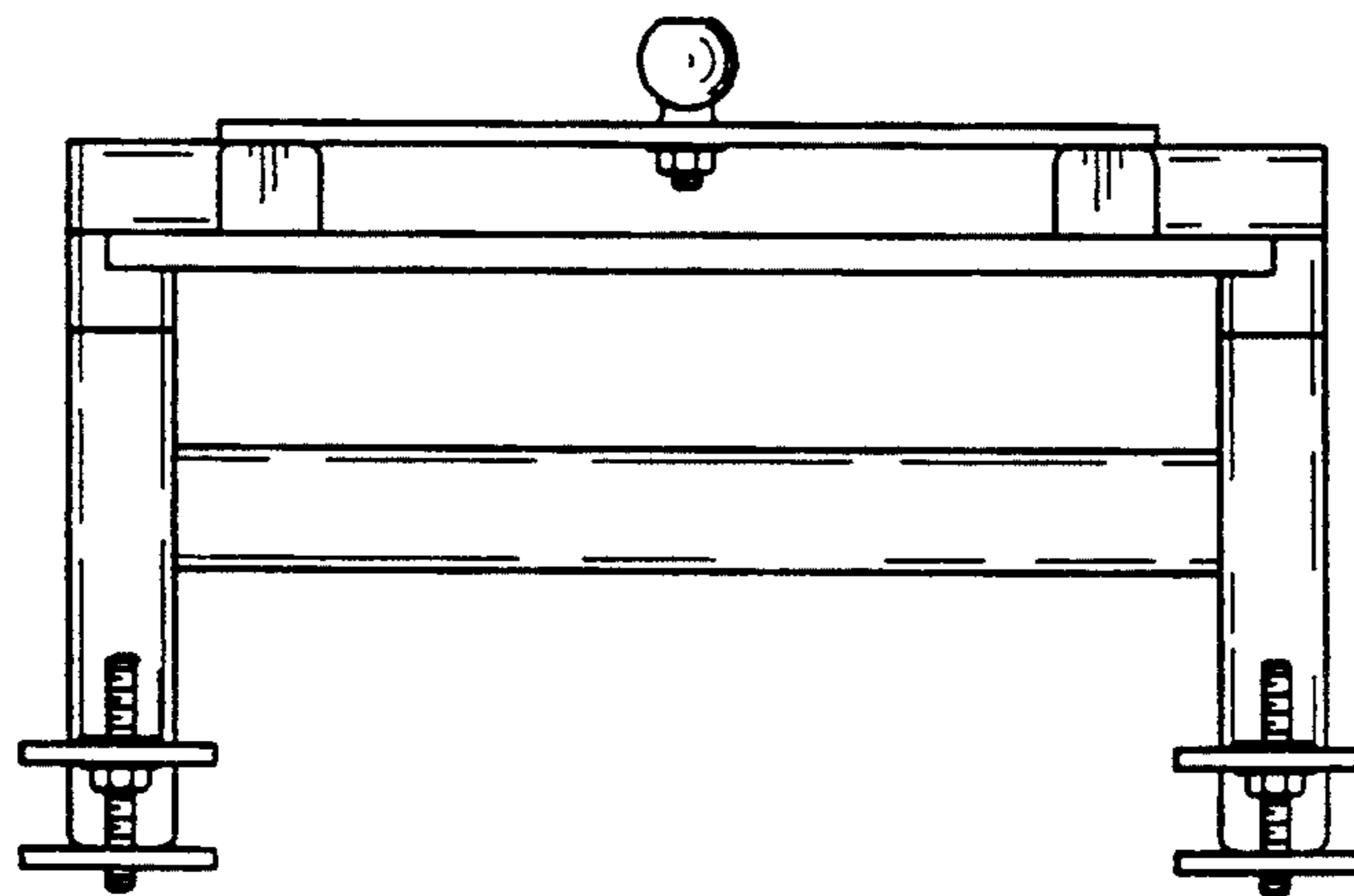


FIG. 6



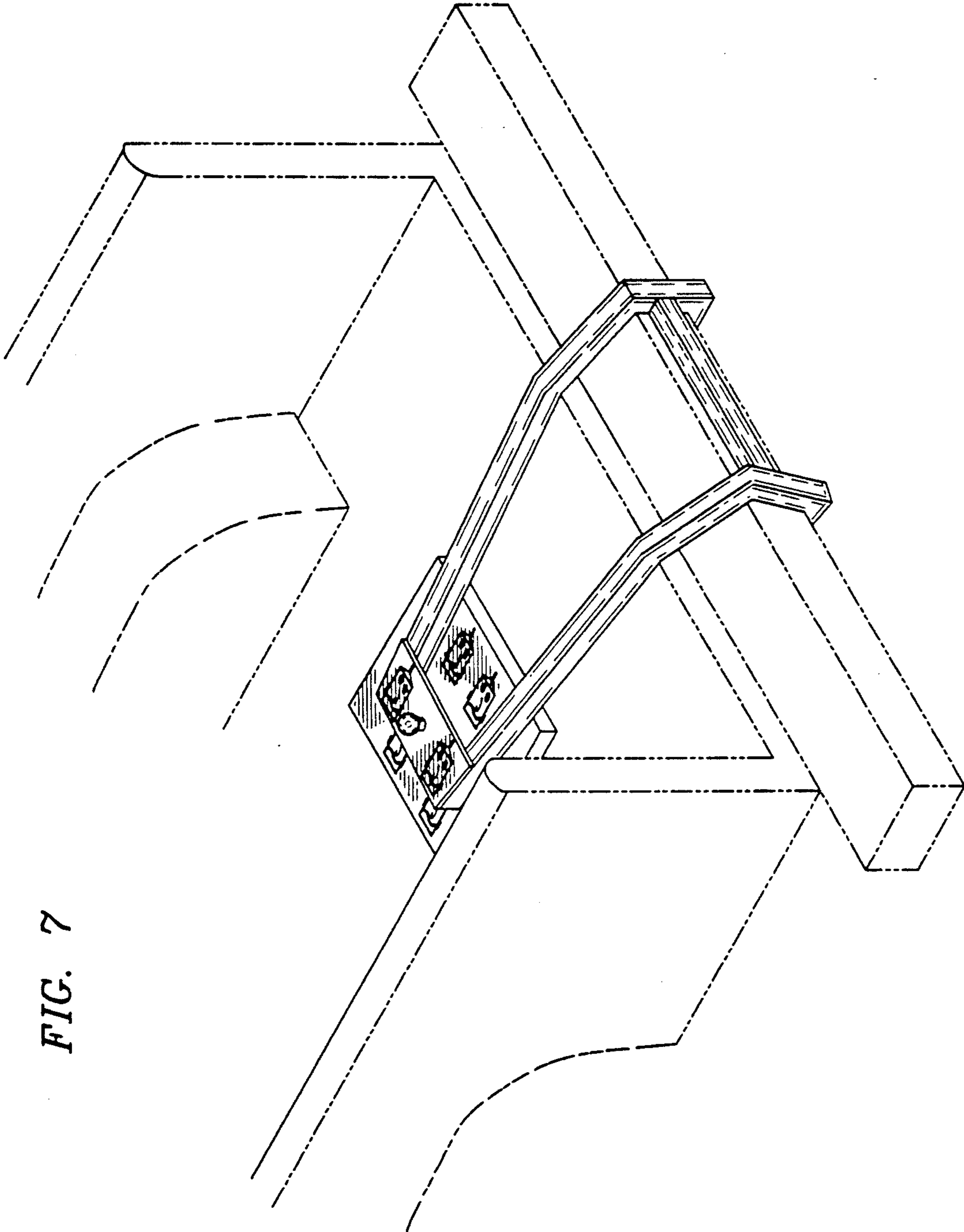


FIG. 7