



US00D341802S

# United States Patent [19]

[11] Patent Number: **Des. 341,802**

**Berg**

[45] Date of Patent: **\*\* Nov. 30, 1993**

[54] **BABY STROLLER FRAME**

[75] Inventor: **Roger M. Berg, Beaverton, Oreg.**

[73] Assignee: **Berg/USA Enterprises, Inc., Beavertob, Oreg.**

[\*\*] Term: **14 Years**

[21] Appl. No.: **849,301**

[22] Filed: **Mar. 4, 1992**

[52] U.S. Cl. .... **D12/133; D12/129**

[58] Field of Search ..... **D12/128, 129, 133; 280/650, 643, 658, 647, 642, 644; 297/DIG. 4, 188**

[56] **References Cited**

**U.S. PATENT DOCUMENTS**

D. 328,047 7/1992 Huang ..... D12/129  
4,725,071 2/1988 Shamre ..... 280/643

*Primary Examiner—Kay H. Chin*  
*Attorney, Agent, or Firm—Jack E. Day*

[57] **CLAIM**

The ornamental design for a baby stroller frame, as shown and described.

**DESCRIPTION**

FIG. 1 is a perspective view of a baby stroller frame for two riders, showing my new design;

FIG. 2 is a front elevation view of FIG. 1;

FIG. 3 is a rear elevation view thereof;

FIG. 4 is a right profile view thereof, the left side being a mirror image thereof;

FIG. 5 is a top plan view thereof;

FIG. 6 is a bottom plan view thereof;

FIG. 7 is a perspective view of a second embodiment of the baby stroller frame for three riders, showing my new design;

FIG. 8 is a front elevation view of FIG. 7;

FIG. 9 is a rear elevation view thereof; and,

FIG. 10 is a right profile view thereof, the left side being a mirror image thereof.

The dashed lines in the drawings are for illustrative purposes only, and form no part of the claimed design.

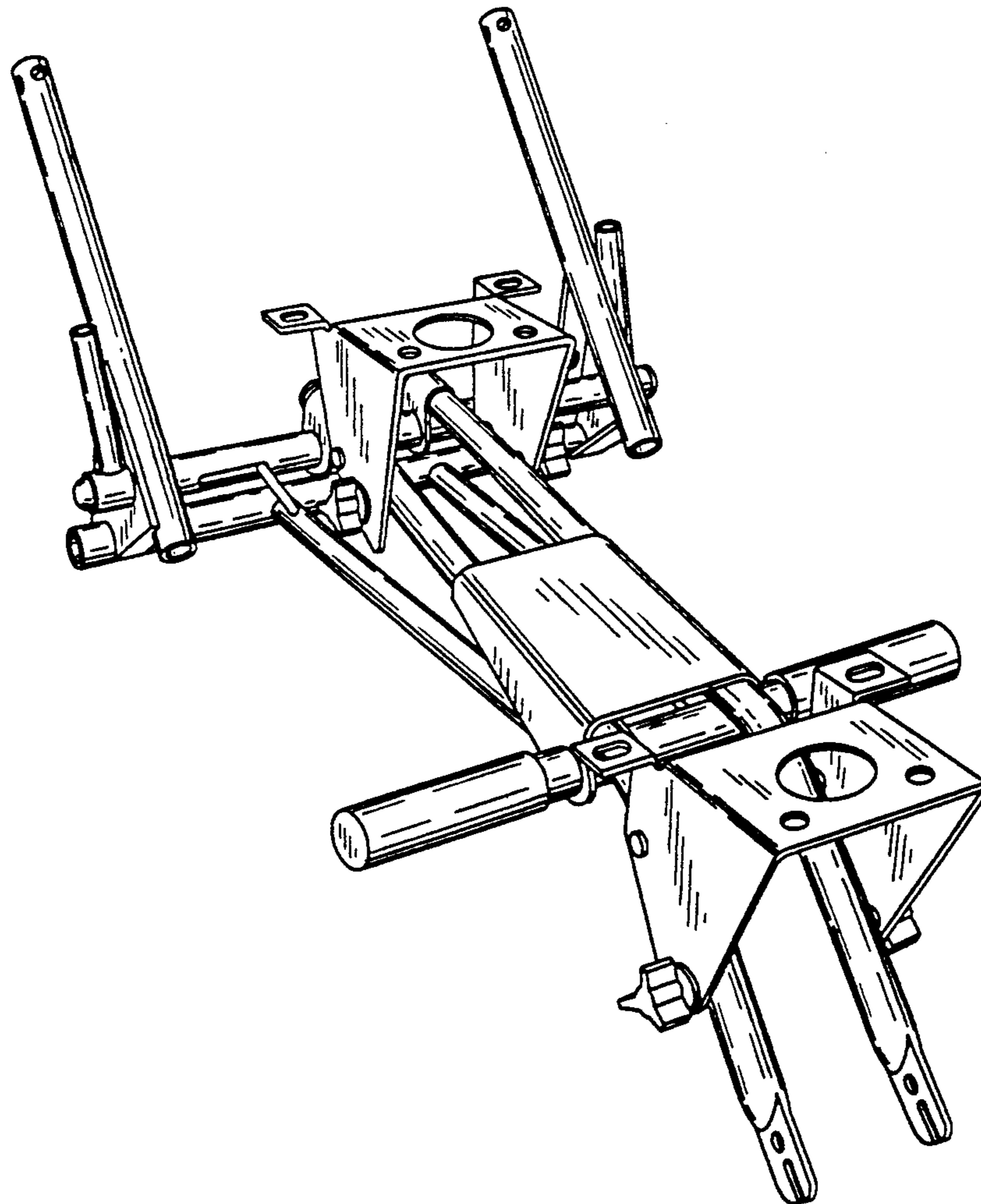


FIG. 1

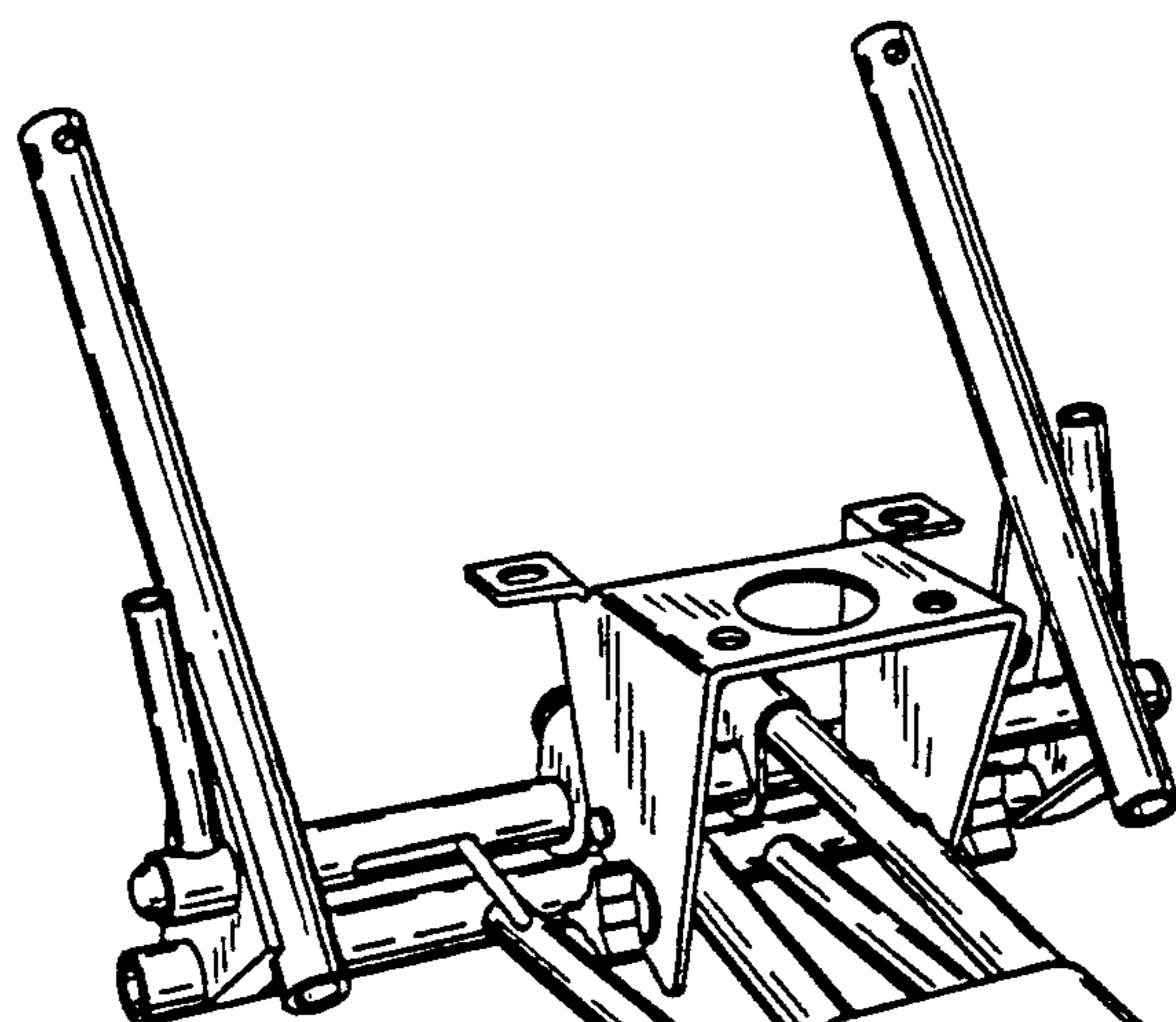


FIG. 2

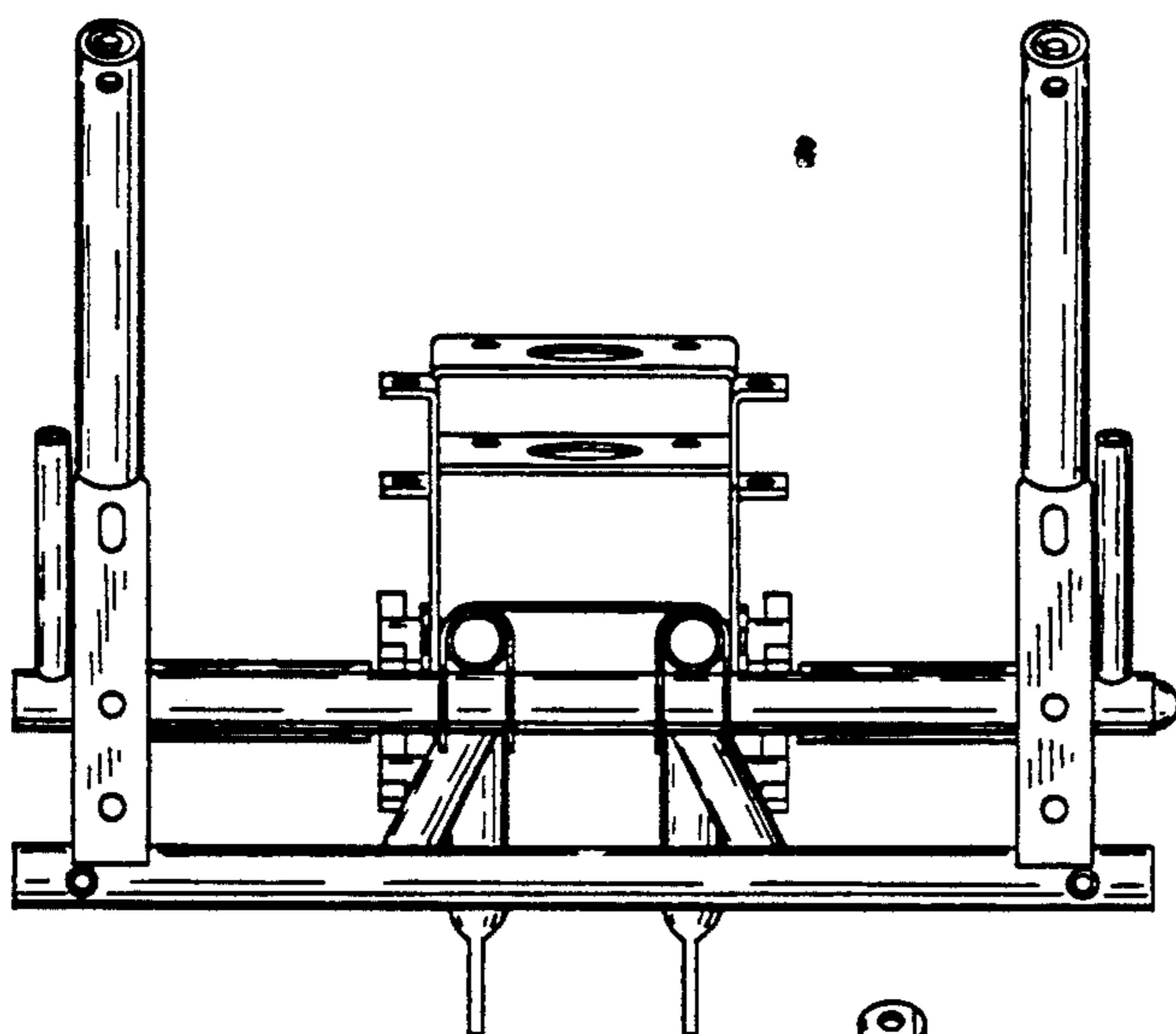
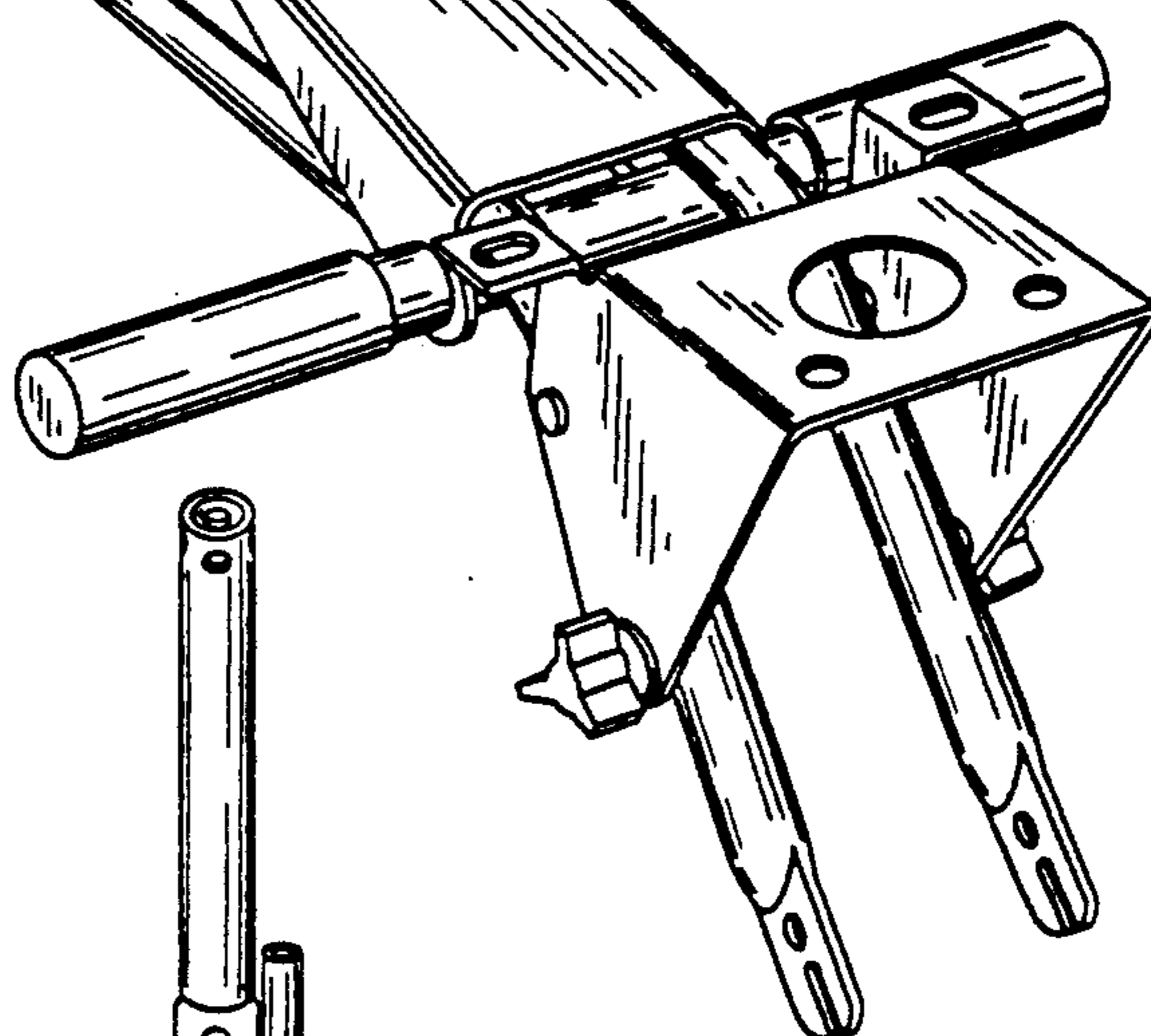
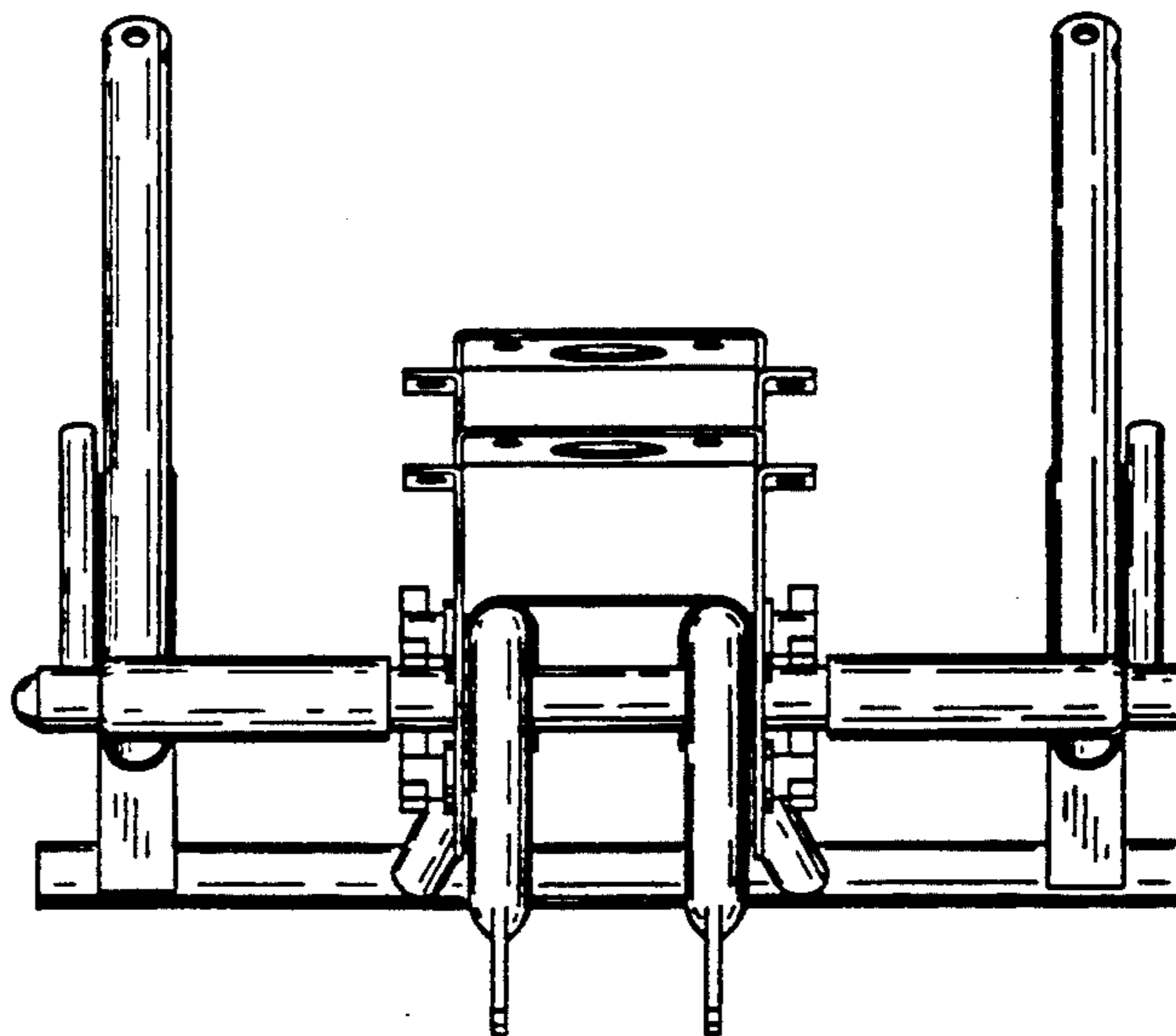


FIG. 3



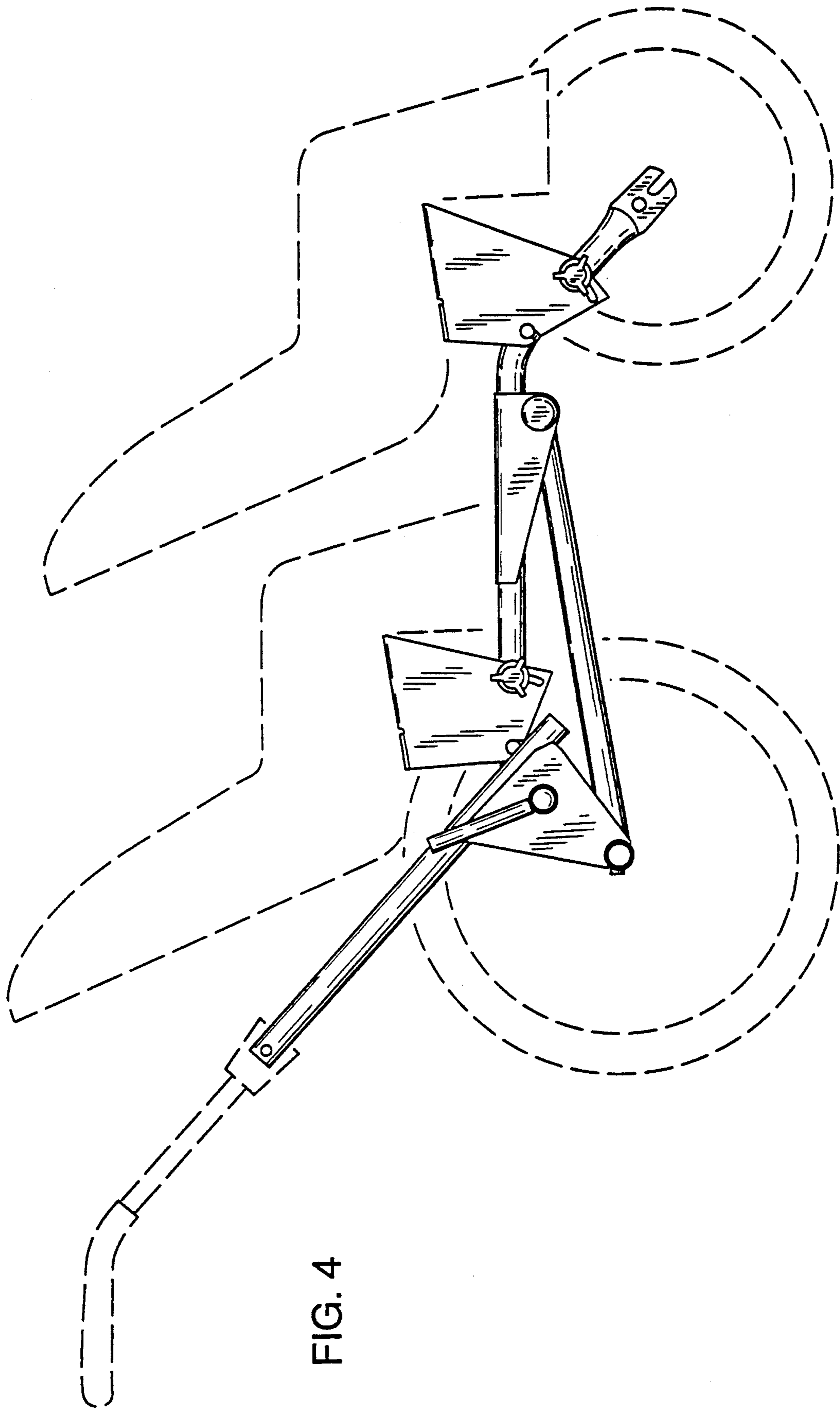


FIG. 4

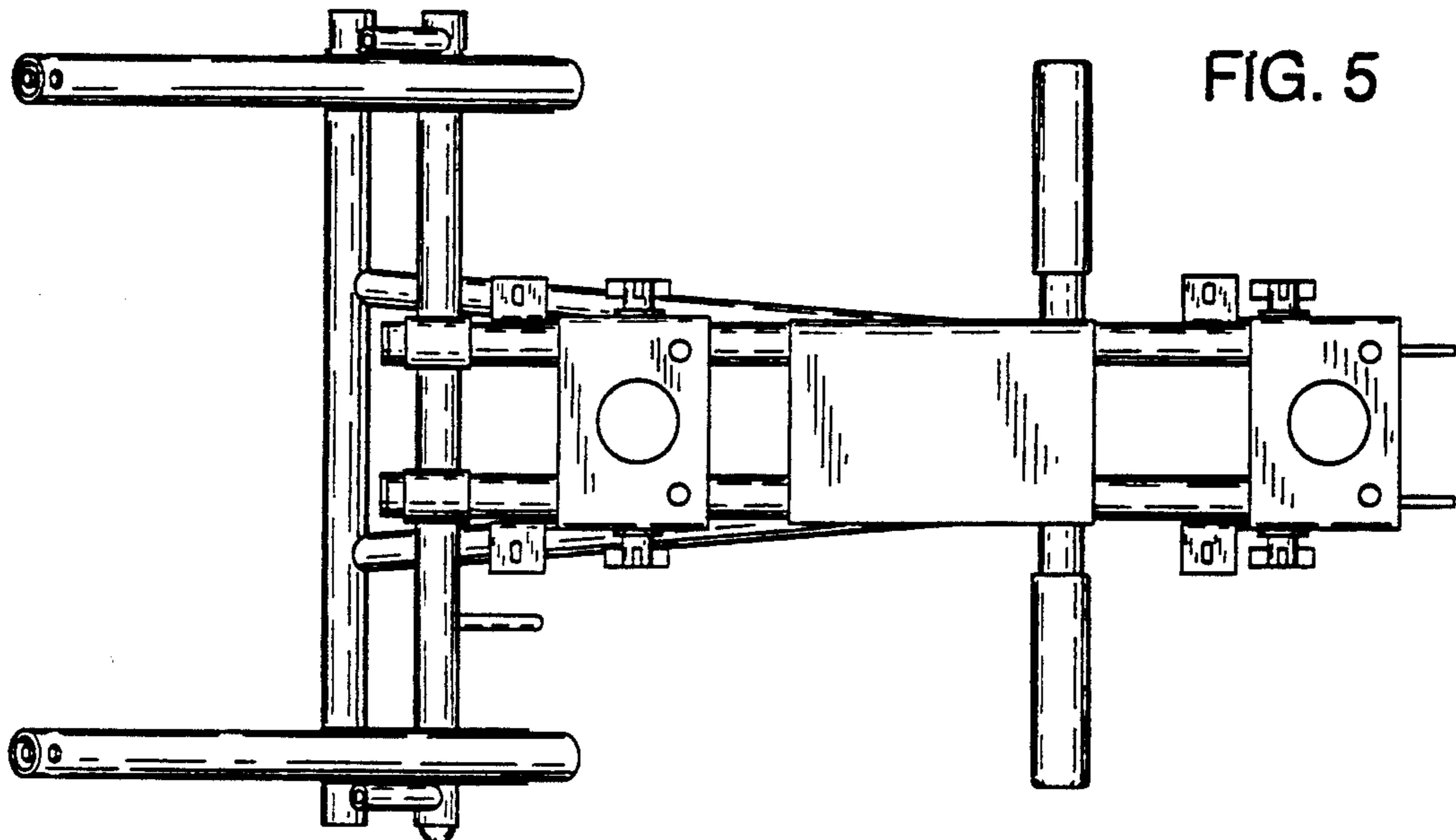


FIG. 5

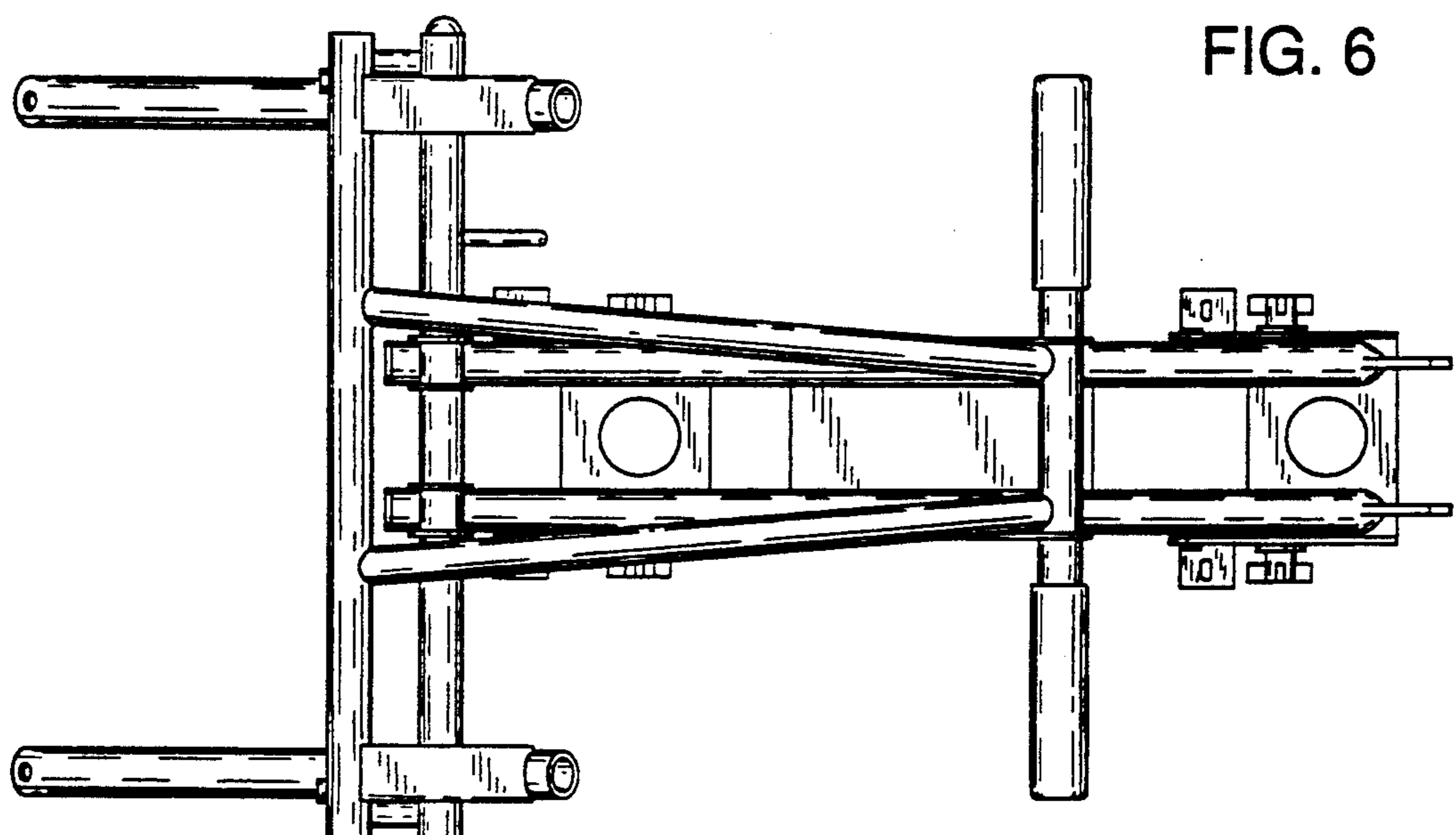


FIG. 6

FIG. 7

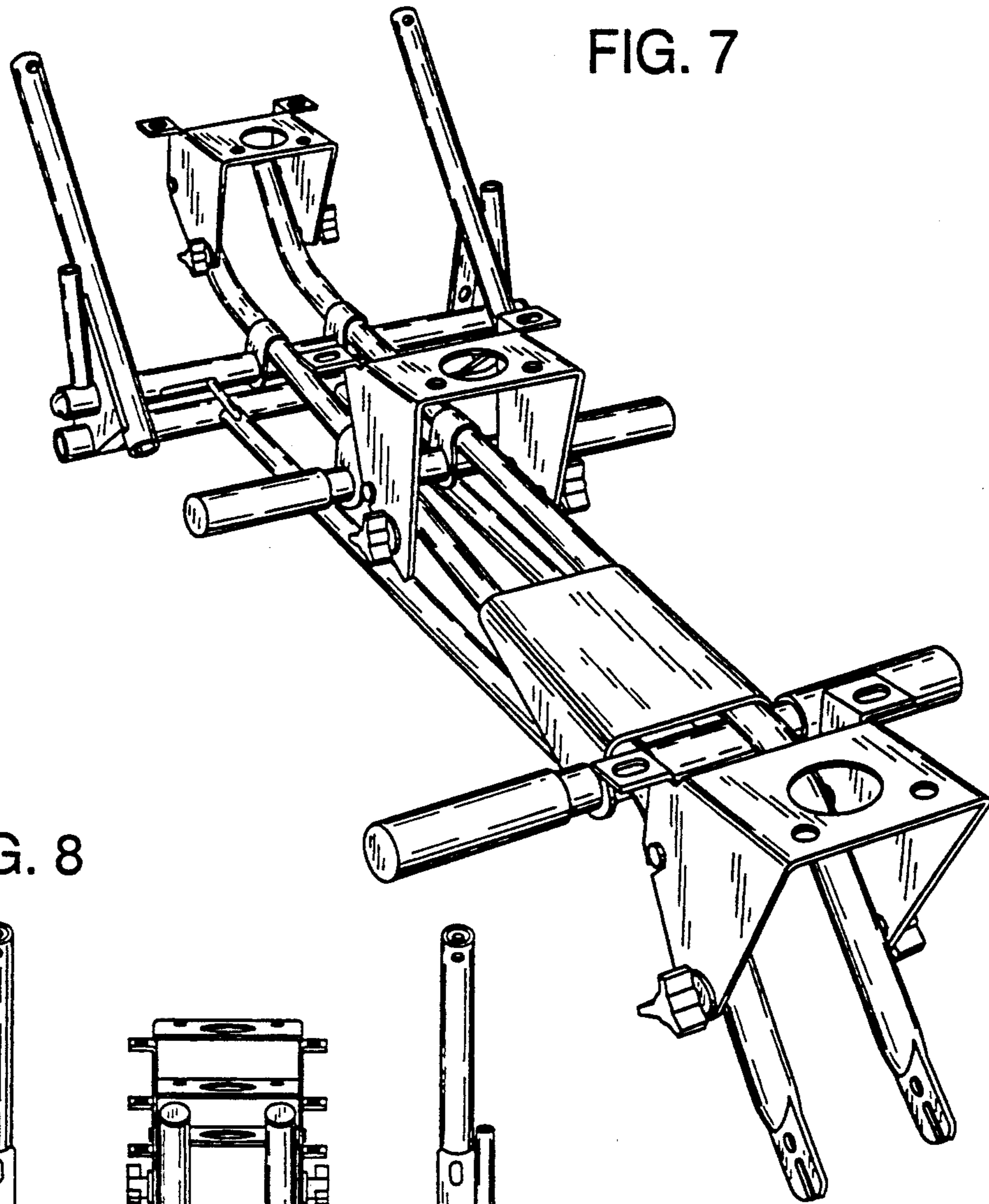


FIG. 8

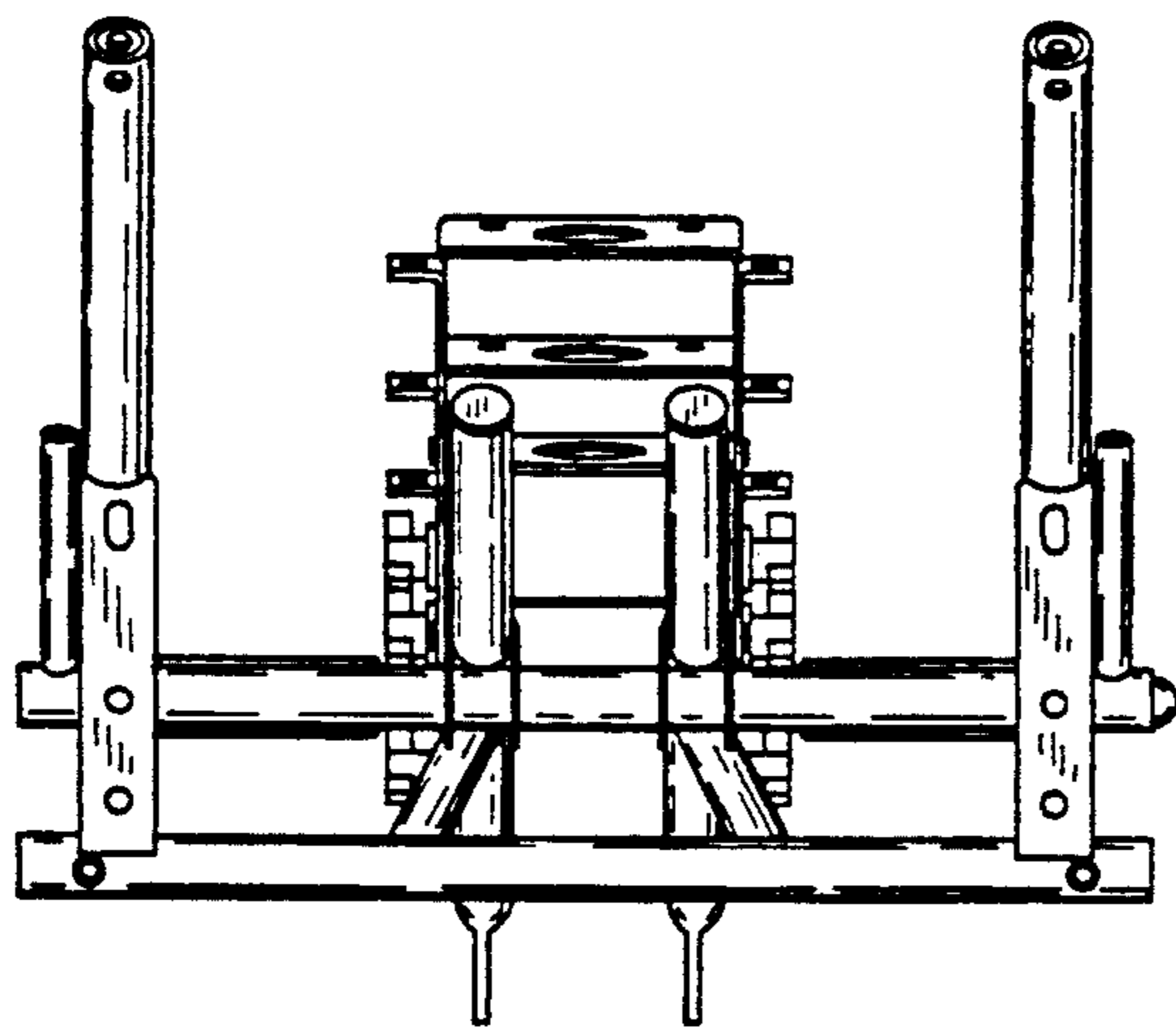


FIG. 9

