



US00D341784S

United States Patent [19] Ard

[11] Patent Number: **Des. 341,784**

[45] Date of Patent: **** Nov. 30, 1993**

[54] **TORCH PROTRACTOR**

[76] Inventor: **Harold D. Ard**, 1162 FM 917 West,
Joshua, Tex. 76058

[**] Term: **14 Years**

[21] Appl. No.: **664,959**

[22] Filed: **Mar. 5, 1991**

[52] U.S. Cl. **D10/64; D15/140**

[58] Field of Search **D10/64; D15/140, 144,
D15/144.1, 144.2; D8/71; 33/430, 562, 628;
83/745; 266/50, 54, 55, 56, 57, 58, 61, 62, 64, 66**

[56] **References Cited**

U.S. PATENT DOCUMENTS

D. 311,544	10/1990	Hayes et al.	D15/144.1 X
3,900,346	8/1975	Muller et al.	266/58 X
4,021,025	5/1977	Franc	266/58
4,053,145	10/1977	Steele	266/62 X
4,411,411	10/1983	Barthelness	D15/144 X

Primary Examiner—Alan P. Douglas

Assistant Examiner—Antoine D. Davis

Attorney, Agent, or Firm—Leon Gildea

[57] **CLAIM**

The ornamental design for a torch protractor, as shown and described.

DESCRIPTION

FIG. 1 is a front elevational view of the torch protractor showing my new design;

FIG. 2 is a rear elevational view thereof;

FIG. 3 is a left side elevational view thereof;

FIG. 4 is a right side elevational view thereof;

FIG. 5 is a top plan view thereof;

FIG. 6 is a bottom plan view thereof;

FIG. 7 is a right side elevational view, the broken lines showing of a partial cutting torch is for illustrative purposes only and forms no part of the claimed design; and,

FIG. 8 is a perspective view thereof.

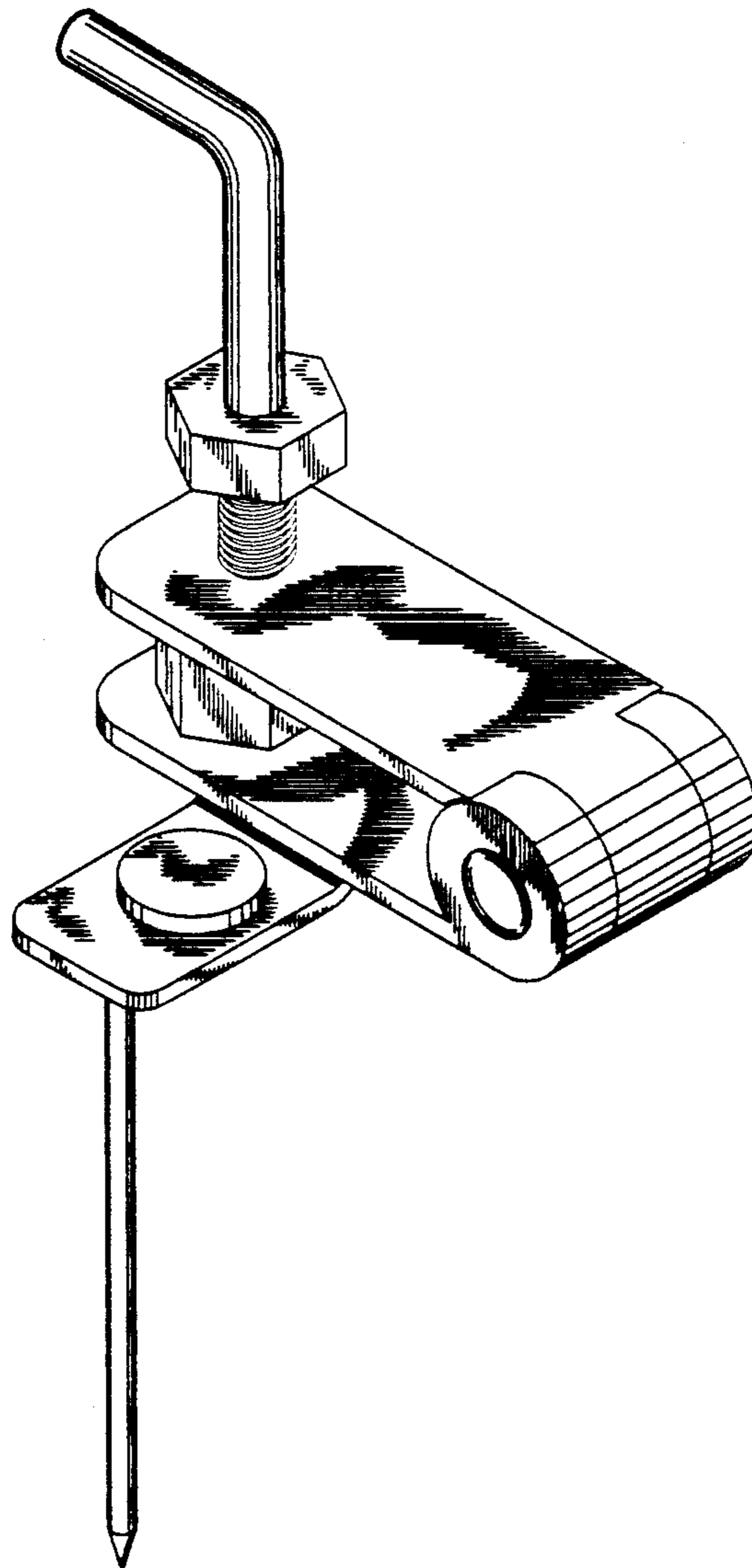


FIG. 1

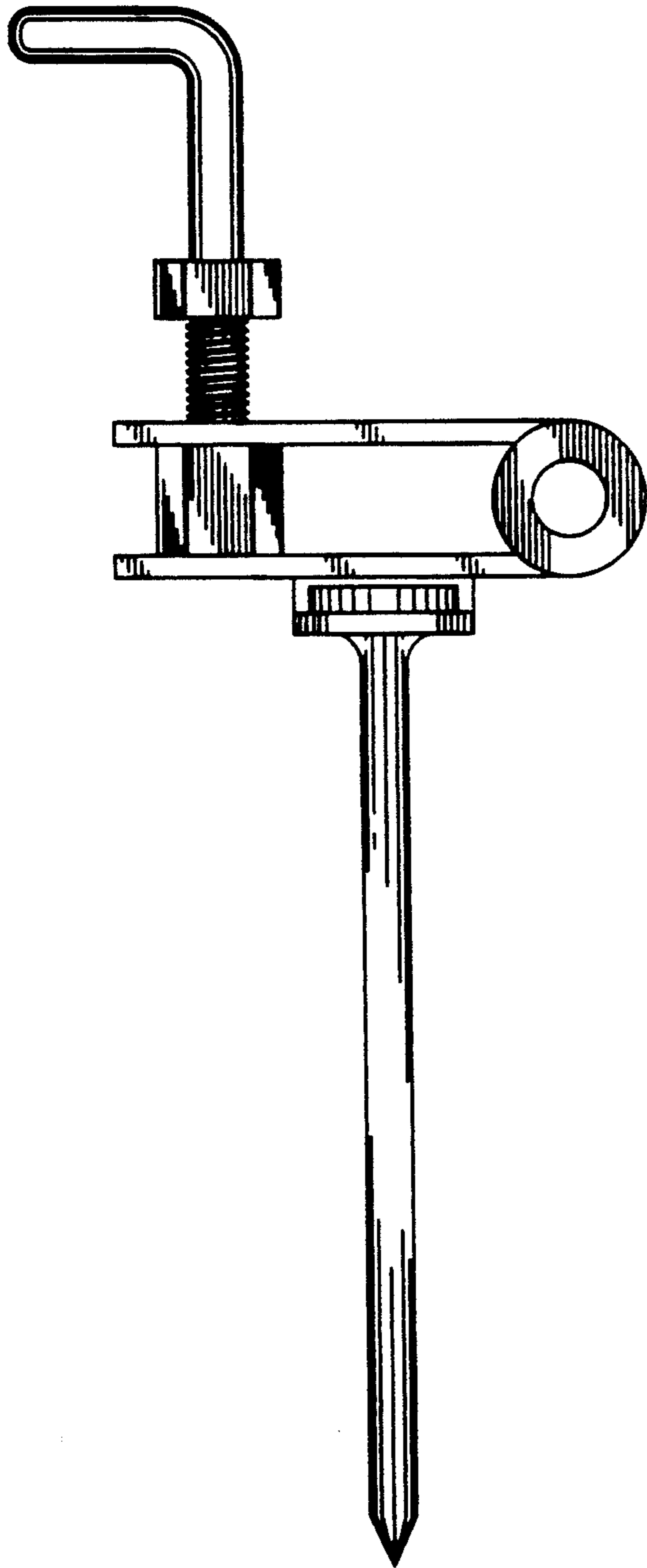


FIG. 2

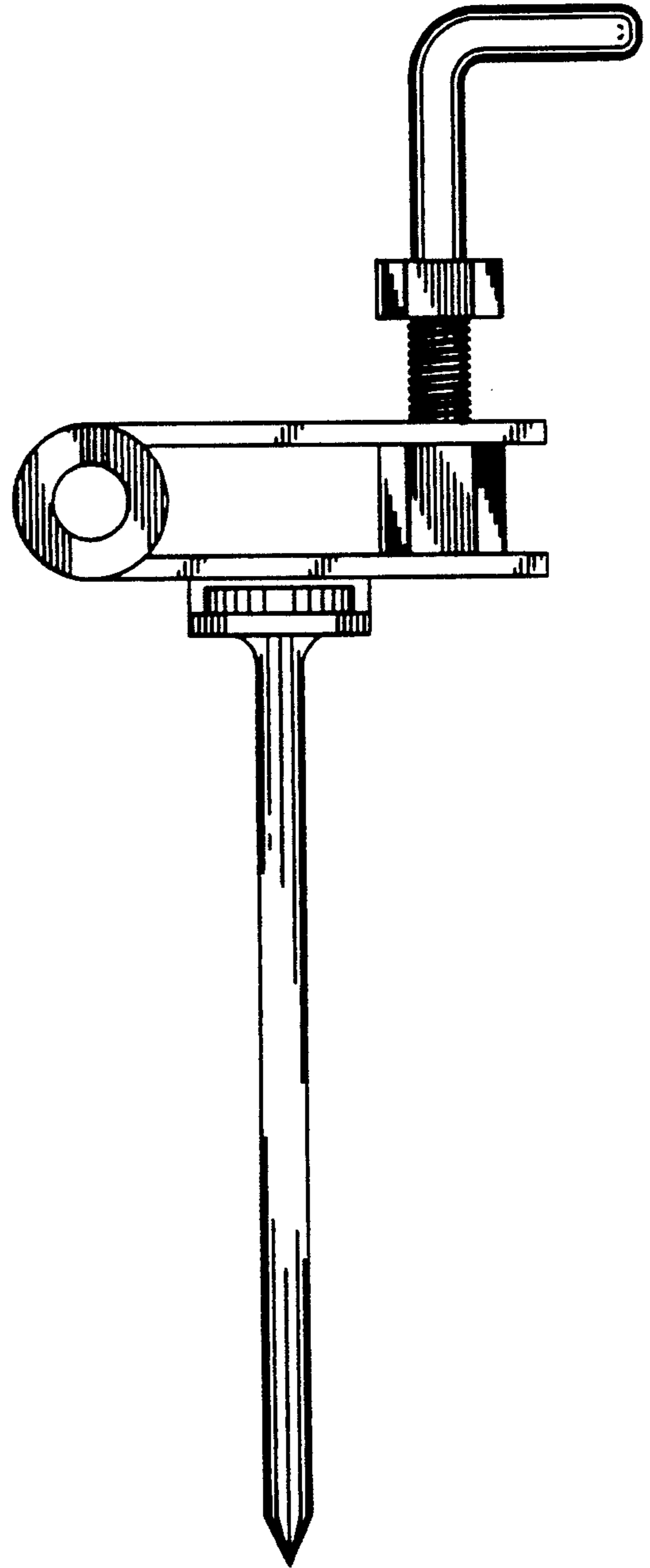


FIG. 3

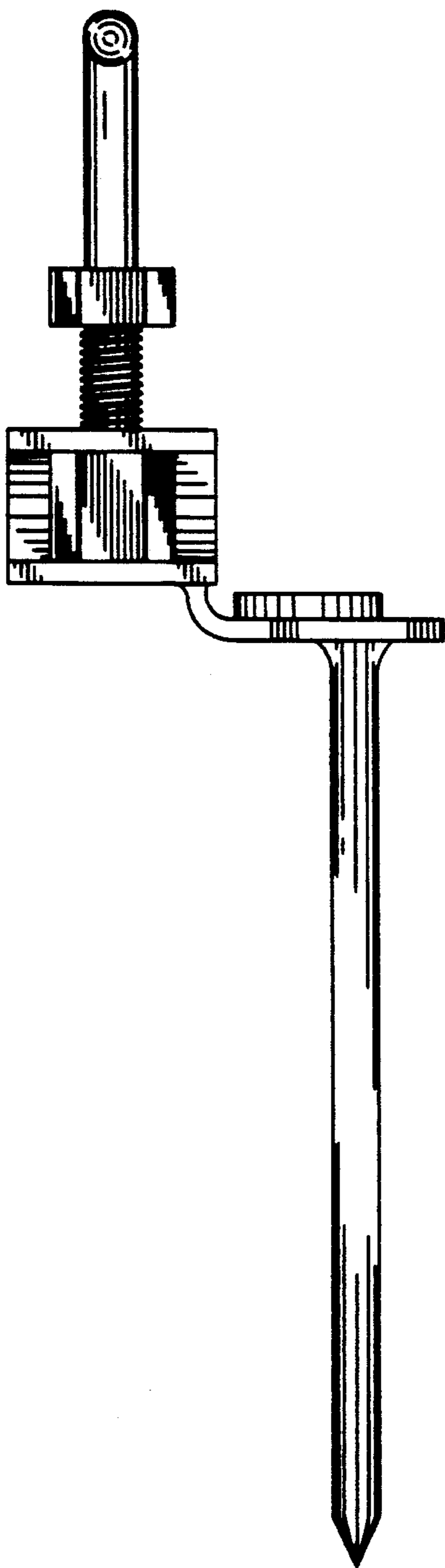


FIG. 4

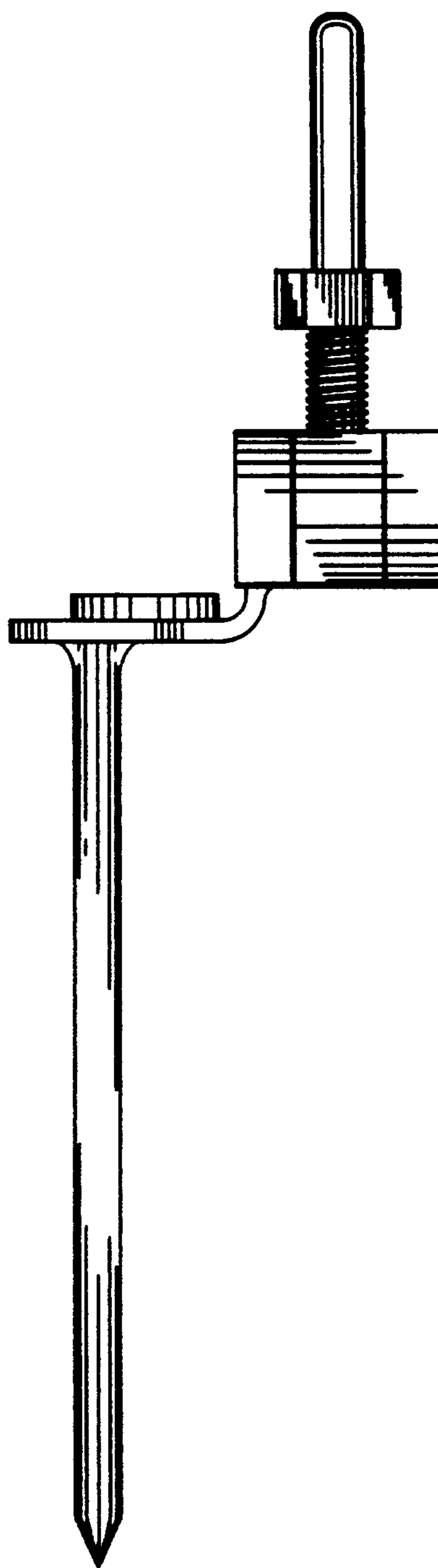


FIG. 5

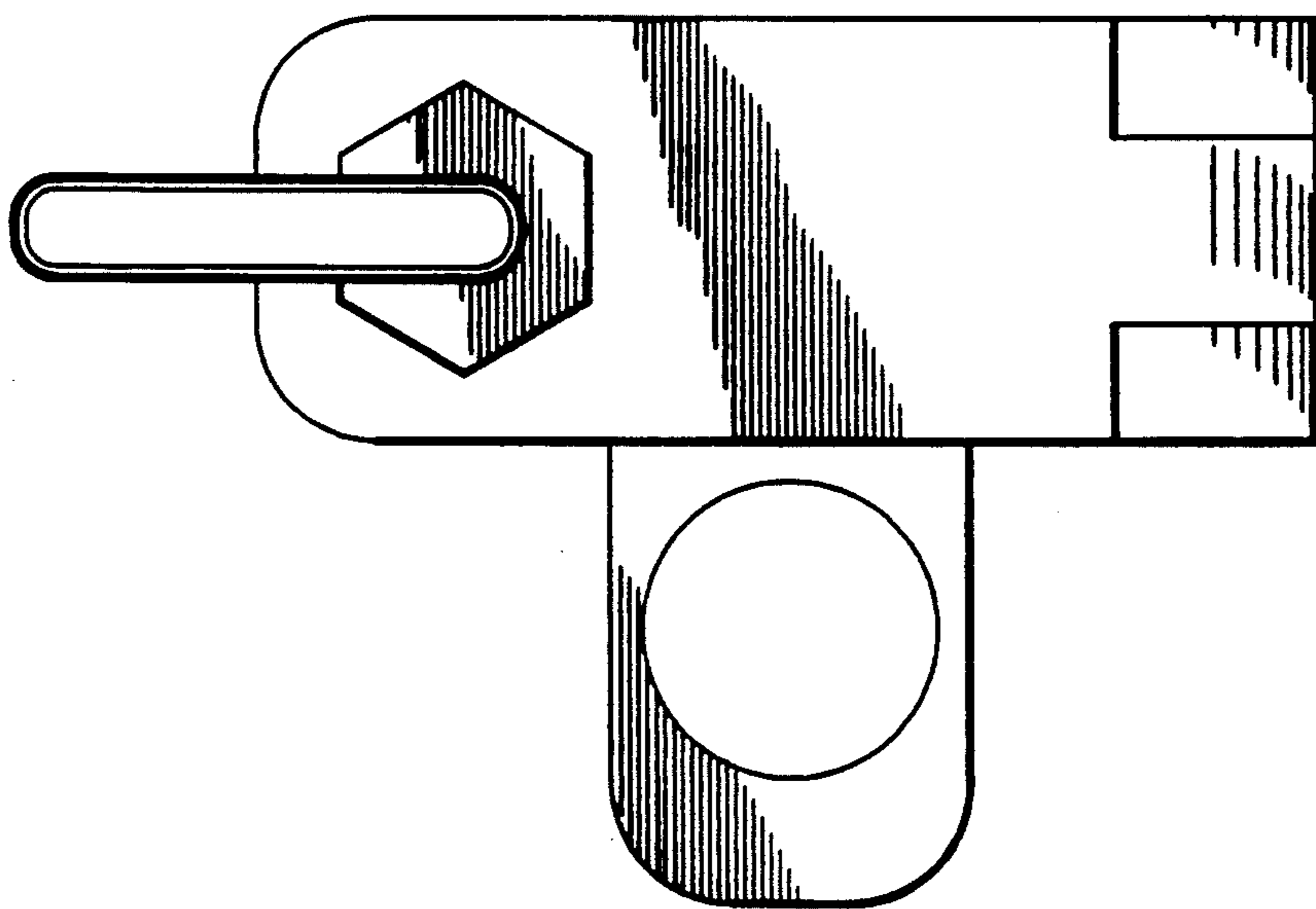


FIG. 6

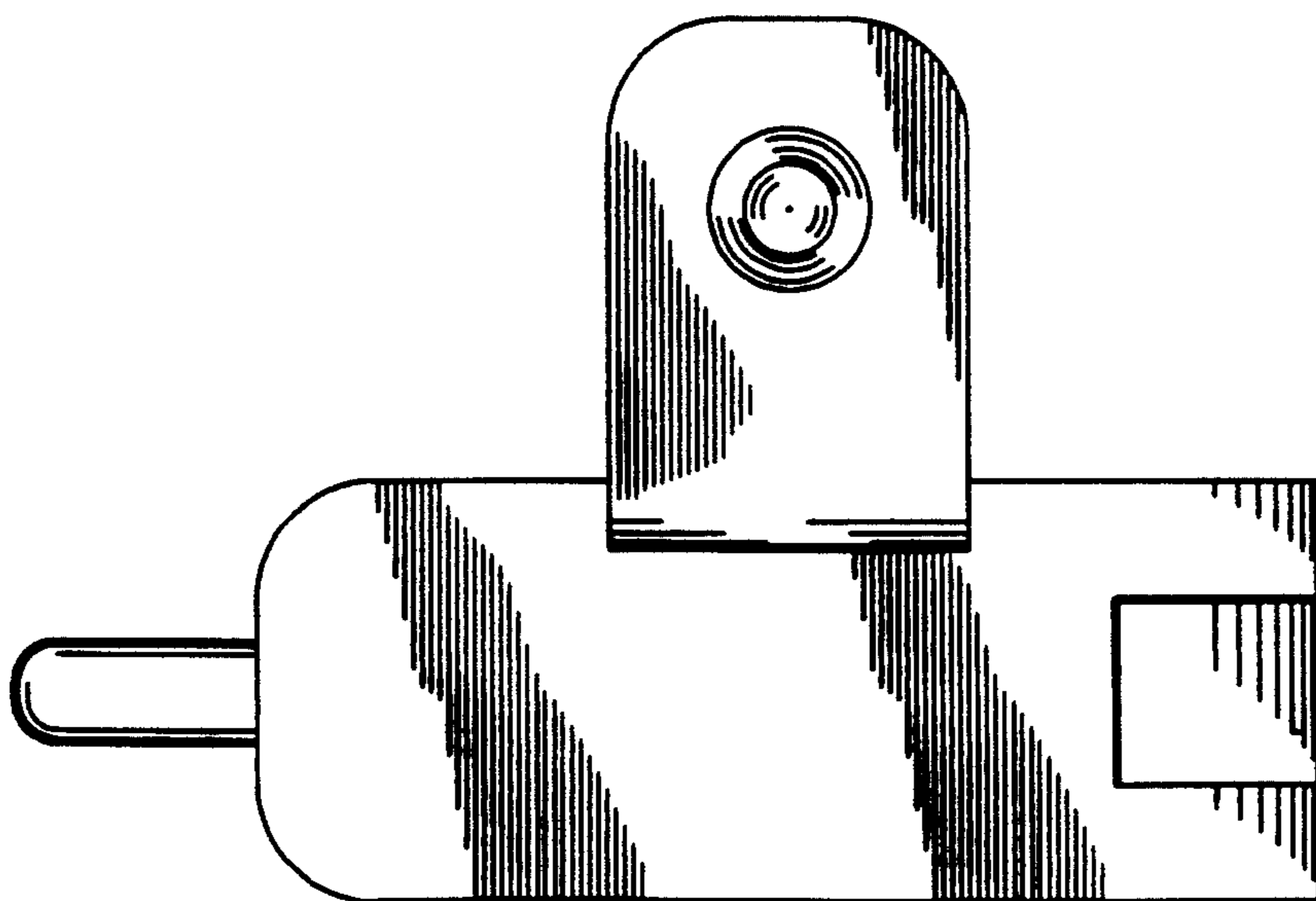


FIG. 7

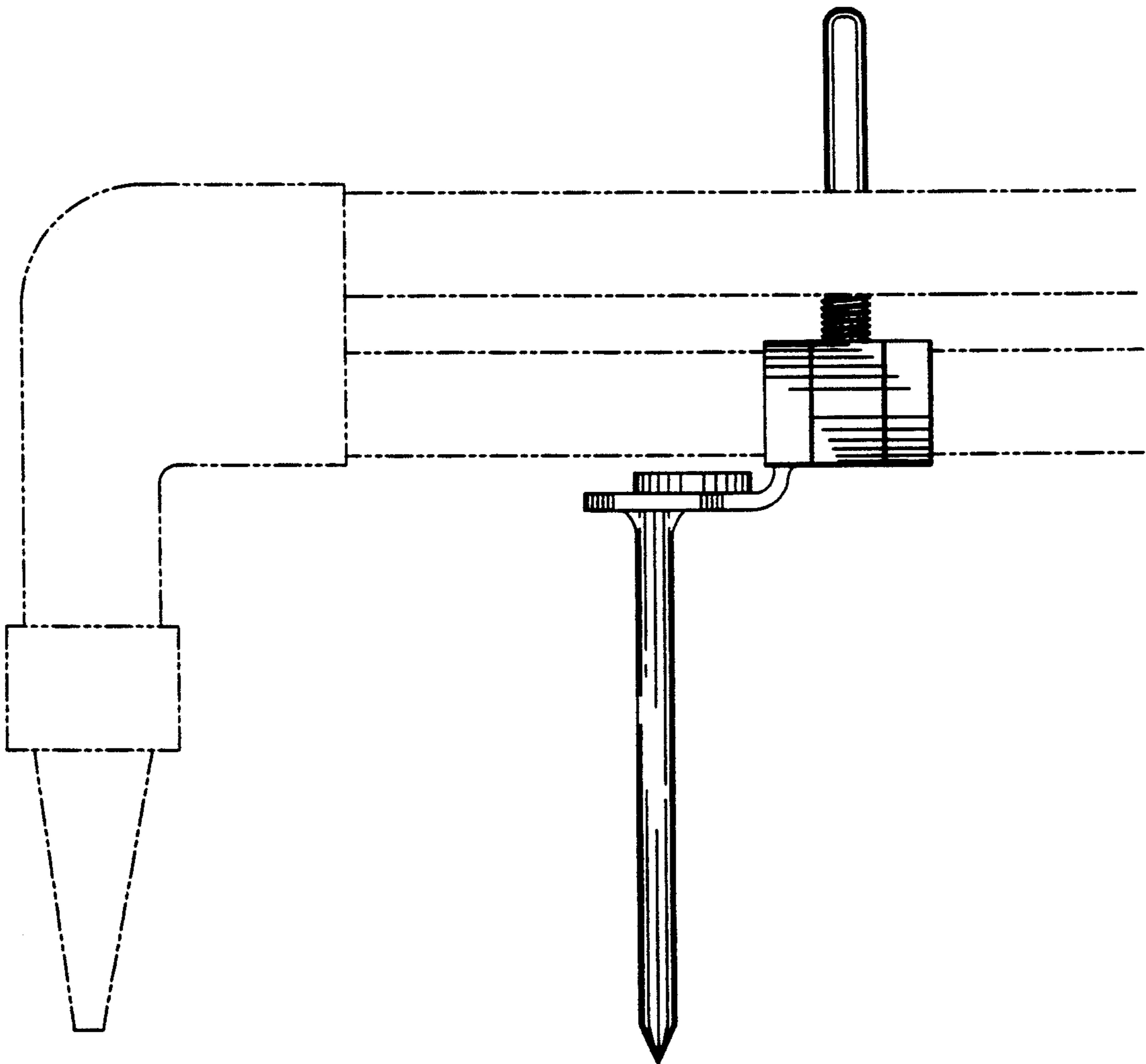


FIG. 8

